



US00D420457S

# United States Patent [19] Breit

[11] **Patent Number: Des. 420,457**

[45] **Date of Patent: \*\* Feb. 8, 2000**

[54] **FLASHLIGHT**

D. 363,361 10/1995 Maglica ..... D26/49  
D. 383,234 9/1997 Smith ..... D26/49

[75] Inventor: **Oliver Breit**, Hong Kong, The Hong Kong Special Administrative Region of the People's Republic of China

*Primary Examiner*—Marcus A. Jackson  
*Attorney, Agent, or Firm*—Leydig, Voit & Mayer, Ltd.

[73] Assignee: **Solar Wide Industrial, Ltd.**, New Territories, The Hong Kong Special Administrative Region of the People's Republic of China

[57] **CLAIM**

The ornamental design for a flashlight, as shown and described.

[\*\*] Term: **14 Years**

**DESCRIPTION**

[21] Appl. No.: **29/084,286**

FIG. 1 is a front end, left side and top perspective view of a flashlight showing my new design;

[22] Filed: **Feb. 27, 1998**

FIG. 2 is a rear end, left side and top perspective view thereof;

[51] **LOC (7) Cl.** ..... **26-02**

FIG. 3 is a top plan view thereof;

[52] **U.S. Cl.** ..... **D26/49**

FIG. 4 is a left side elevational view thereof, with the right side being a mirror image;

[58] **Field of Search** ..... D26/37-50; 362/157, 362/158, 183-208

FIG. 5 is a bottom plan view thereof;

FIG. 6 is a front end elevational view thereof; and,

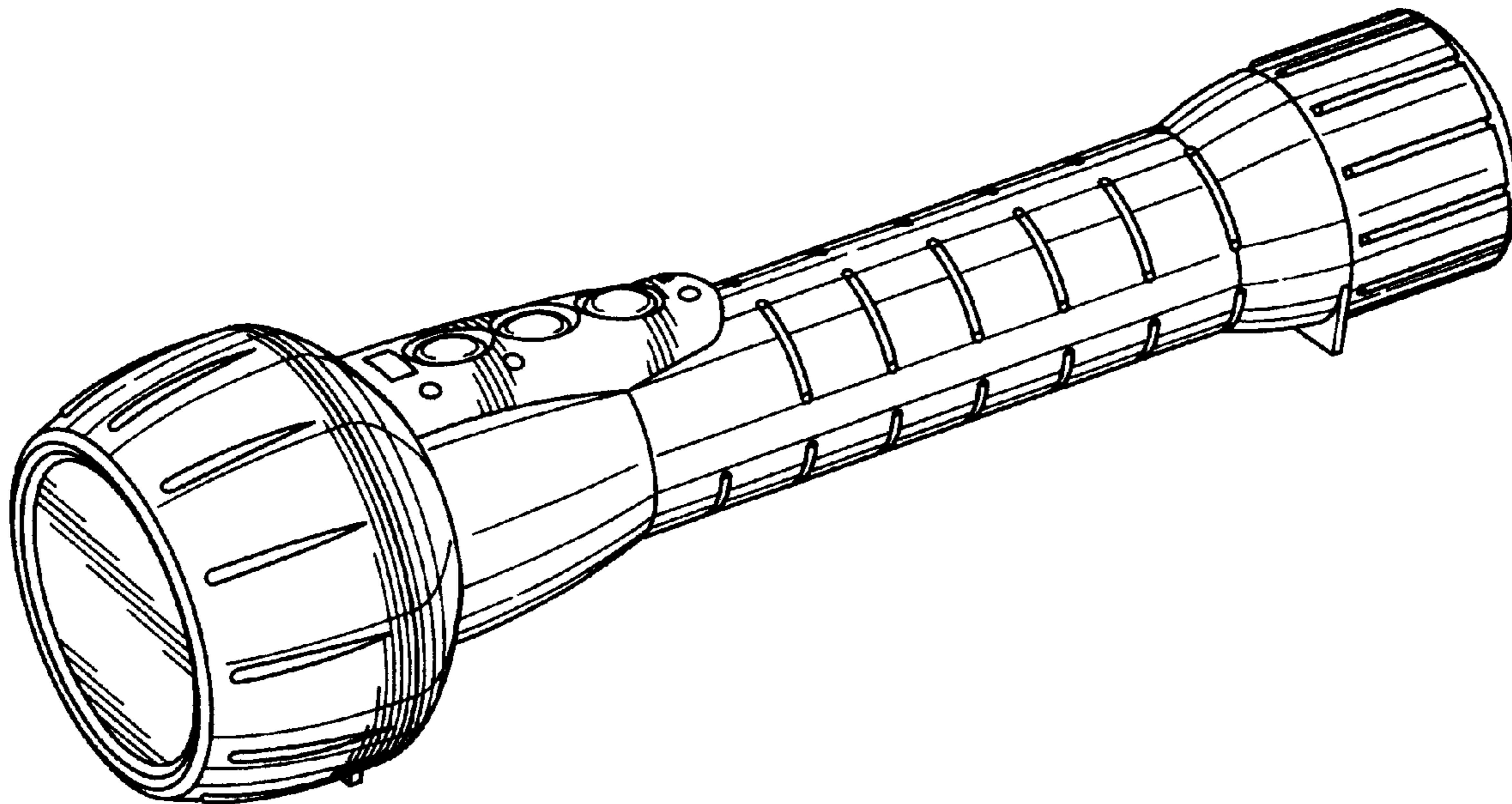
FIG. 7 is a rear end elevational view thereof.

[56] **References Cited**

**U.S. PATENT DOCUMENTS**

D. 360,044 7/1995 Jillery ..... D26/49

**1 Claim, 2 Drawing Sheets**



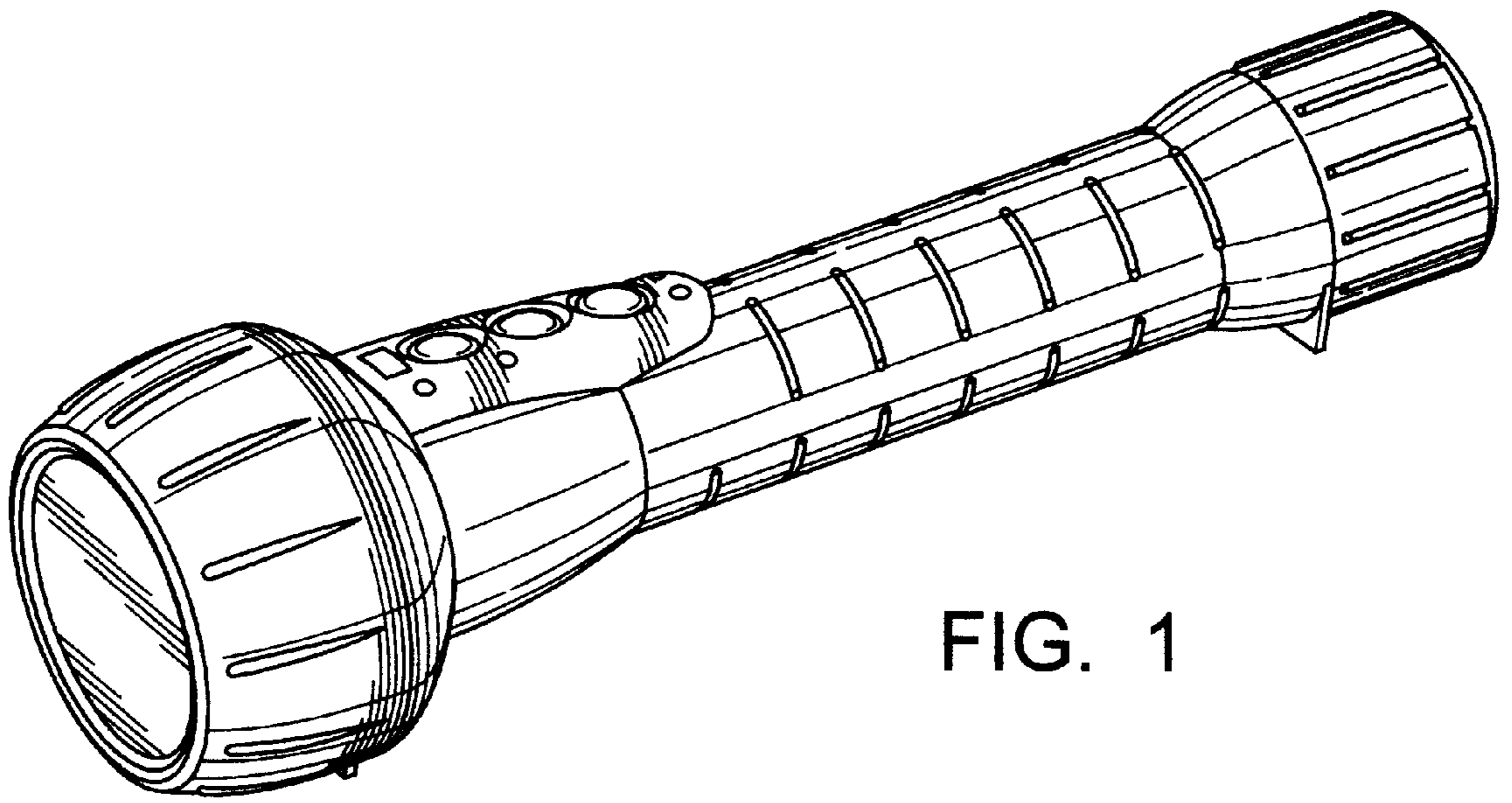


FIG. 1

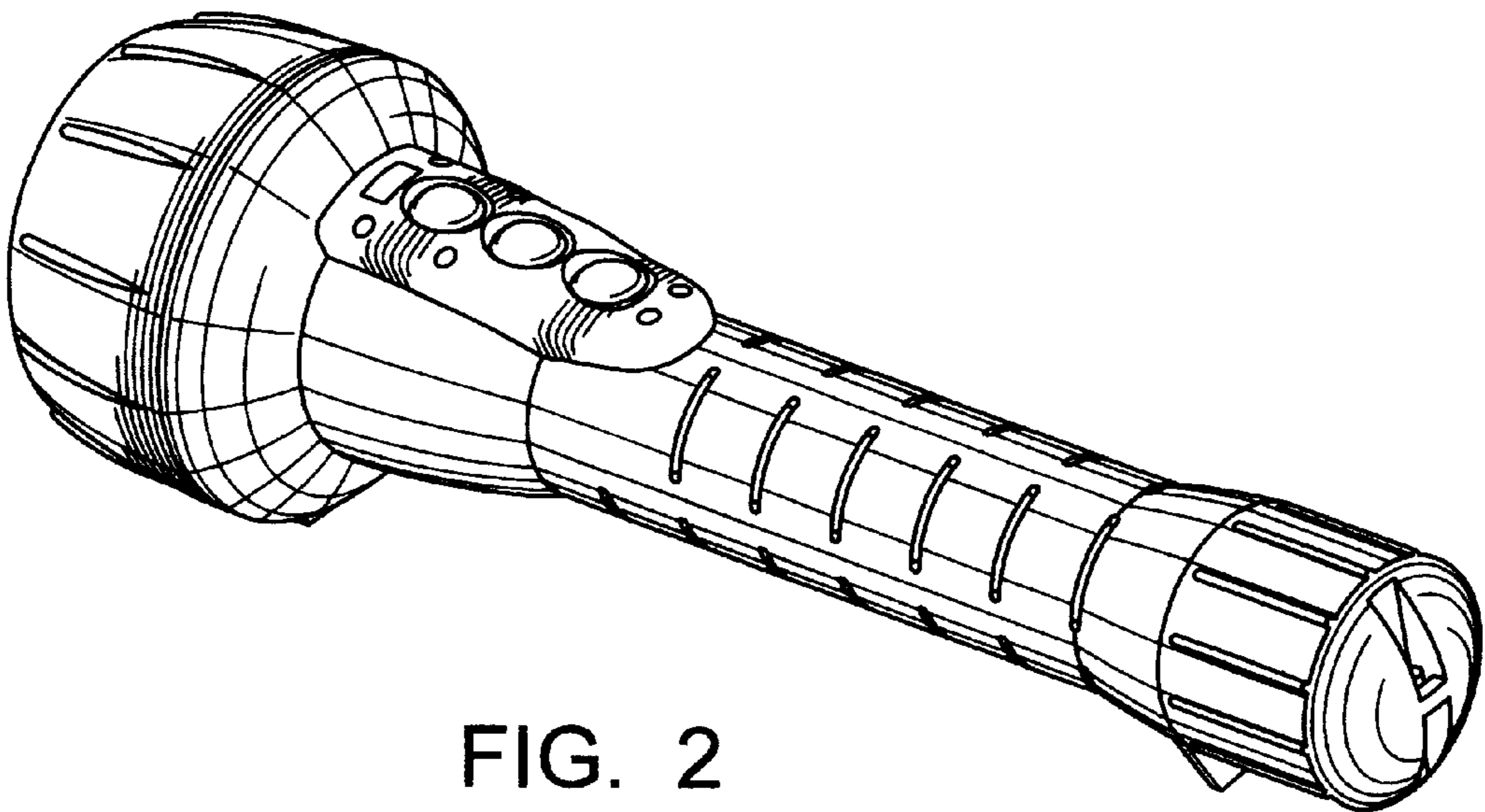


FIG. 2

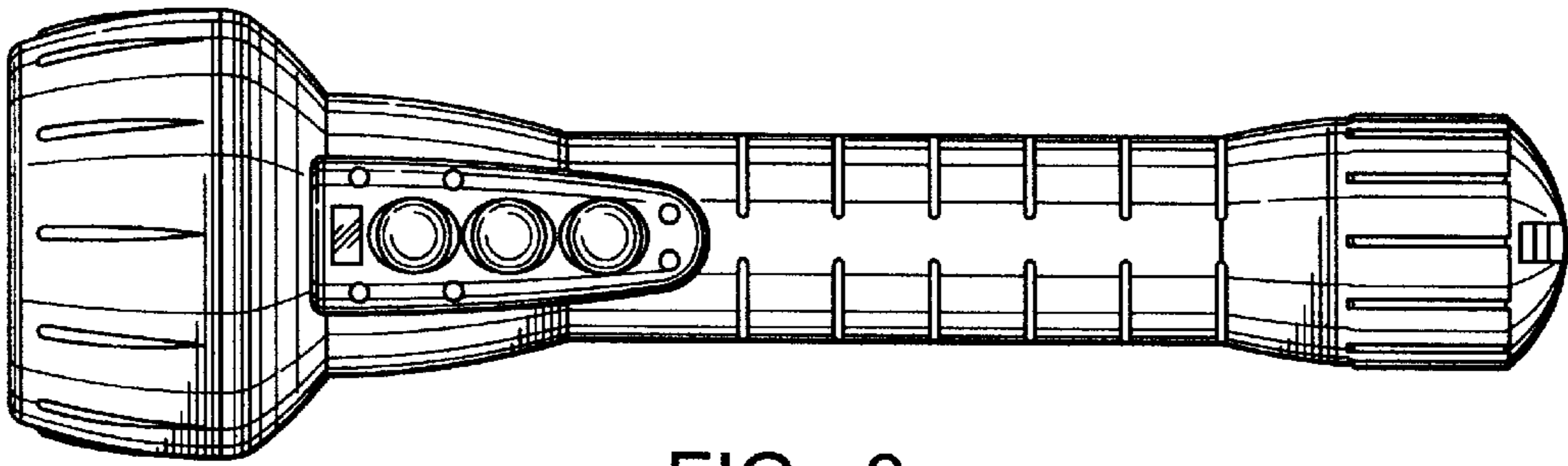


FIG. 3

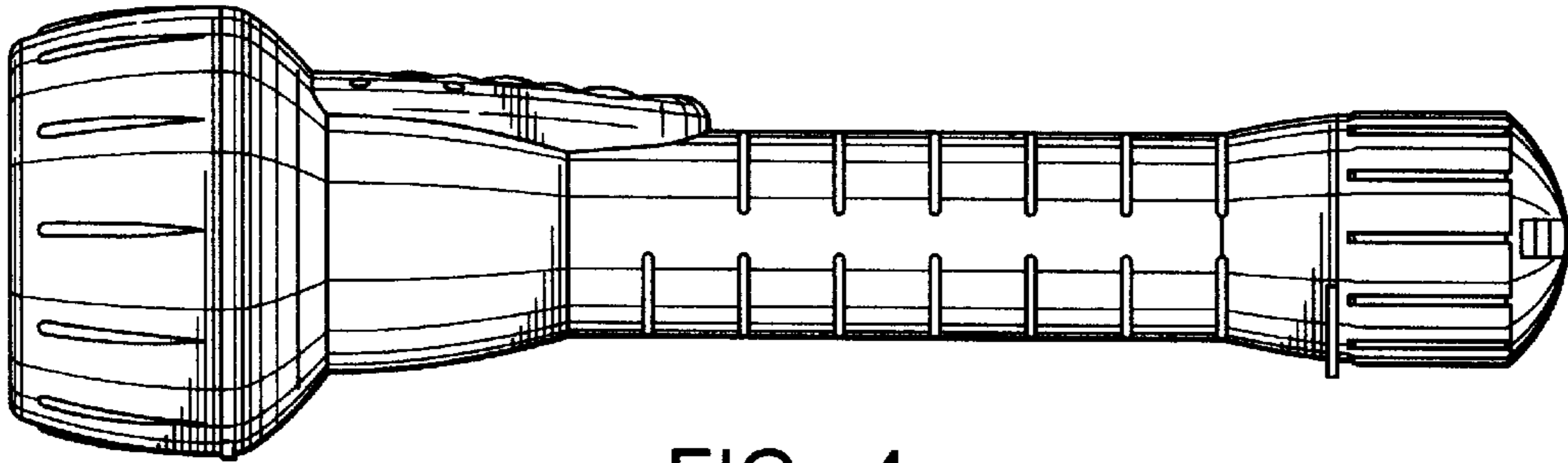


FIG. 4

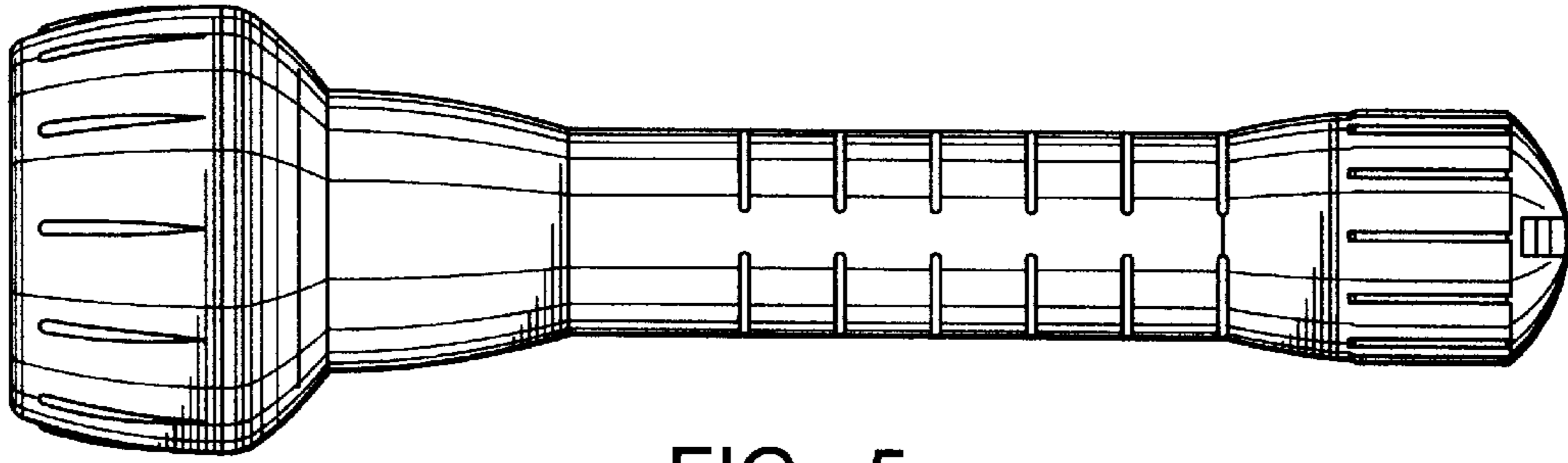


FIG. 5

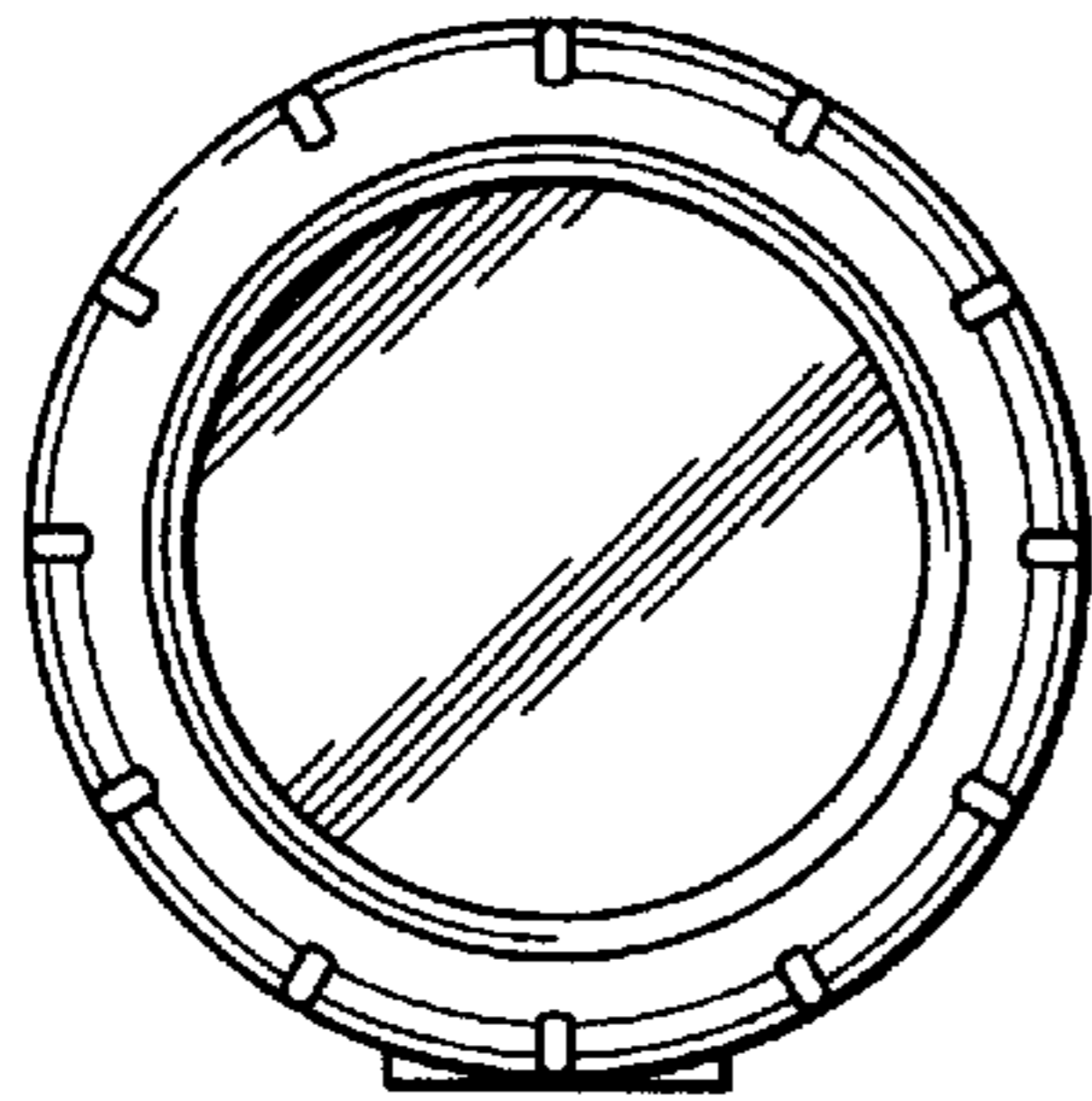


FIG. 6

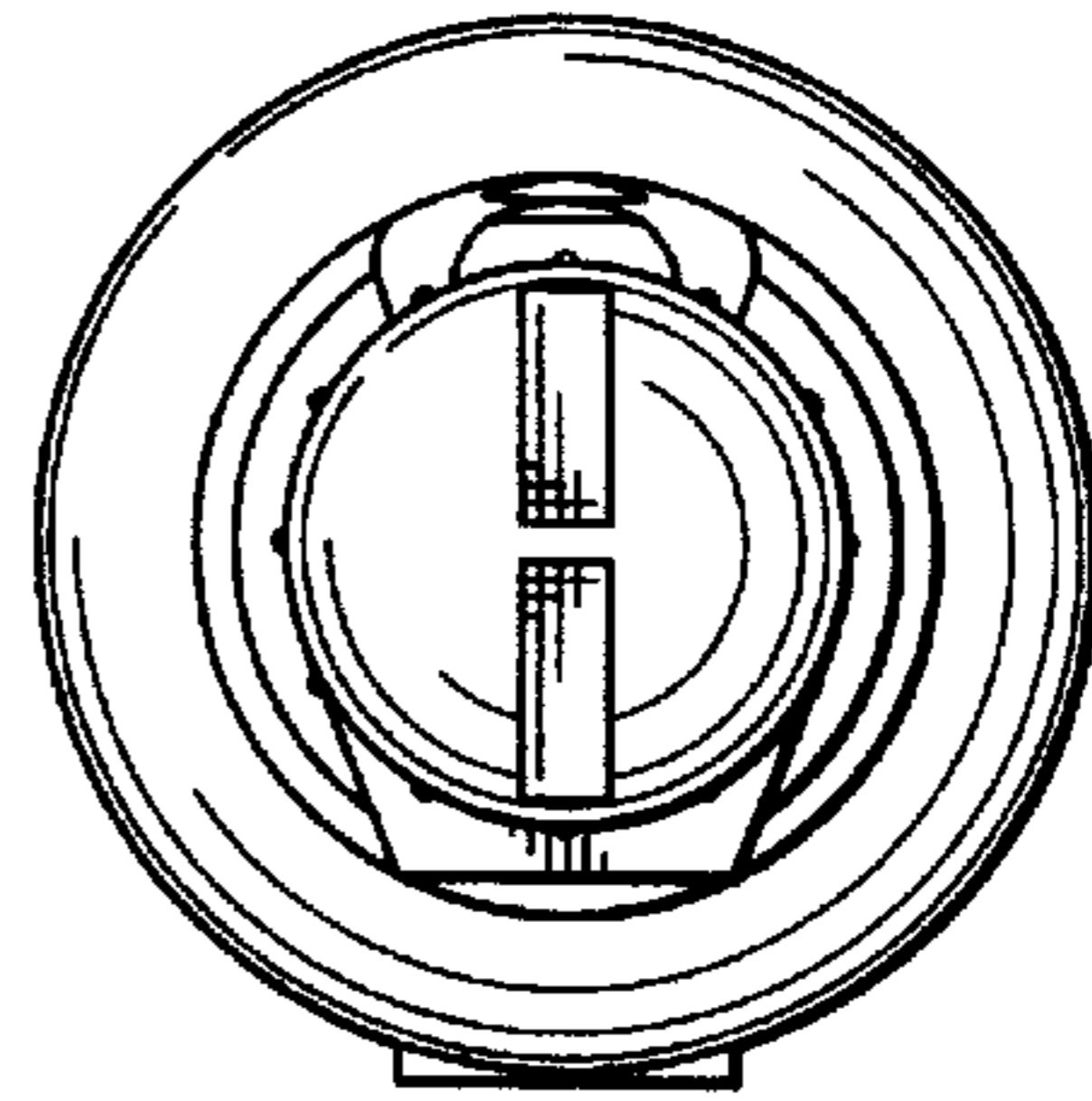


FIG. 7