



US00D420455S

United States Patent [19]

[11] Patent Number: **Des. 420,455**

Haba et al.

[45] Date of Patent: **** Feb. 8, 2000**

[54] **REPLACEMENT LAMP FOR PROJECTOR**

5,722,753	3/1998	Okada et al.	353/119
5,855,488	1/1999	Heintz et al.	353/119 X
5,868,485	2/1999	Fuimori et al.	353/119

[75] Inventors: **Shinji Haba; Tomiyoshi Ushiyama; Akitaka Yajima**, all of Suwa, Japan

[73] Assignee: **Seiko Epson Corporation**, Tokyo, Japan

Primary Examiner—Susan J. Lucas
Attorney, Agent, or Firm—Oliff & Berridge, PLC

[**] Term: **14 Years**

[57] **CLAIM**

[21] Appl. No.: **29/072,650**

The ornamental design for replacement lamp for projector, as shown and described.

[22] Filed: **Jun. 20, 1997**

DESCRIPTION

[30] **Foreign Application Priority Data**

Dec. 20, 1996 [JP] Japan 8-38759

FIG. 1 is a front view of a replacement lamp for projector in accordance with our inventive design;

[51] **LOC (7) Cl.** **26-99**

FIG. 2 is a rear view thereof;

[52] **U.S. Cl.** **D26/1; D16/235**

FIG. 3 is a top plan view thereof;

[58] **Field of Search** D16/221, 225, D16/229, 236, 235; 353/72, 97, 98, 100, 119; 362/226; D26/24, 2

FIG. 4 is a bottom plan view thereof;

FIG. 5 is a left side view thereof;

FIG. 6 is a right side view thereof; and,

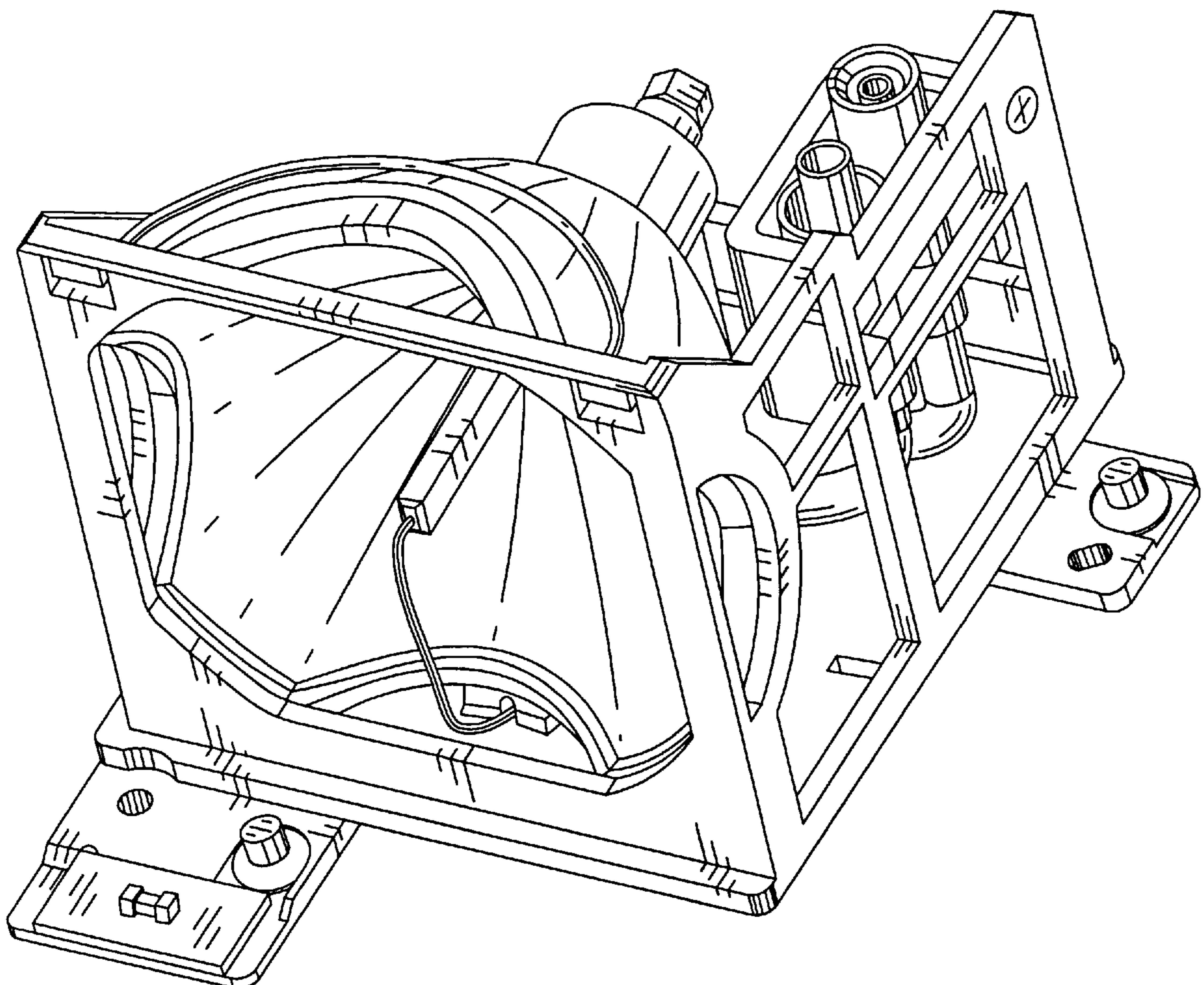
FIG. 7 is a perspective view thereof.

[56] **References Cited**

U.S. PATENT DOCUMENTS

4,390,935 6/1983 Audesse et al. 362/226

1 Claim, 7 Drawing Sheets



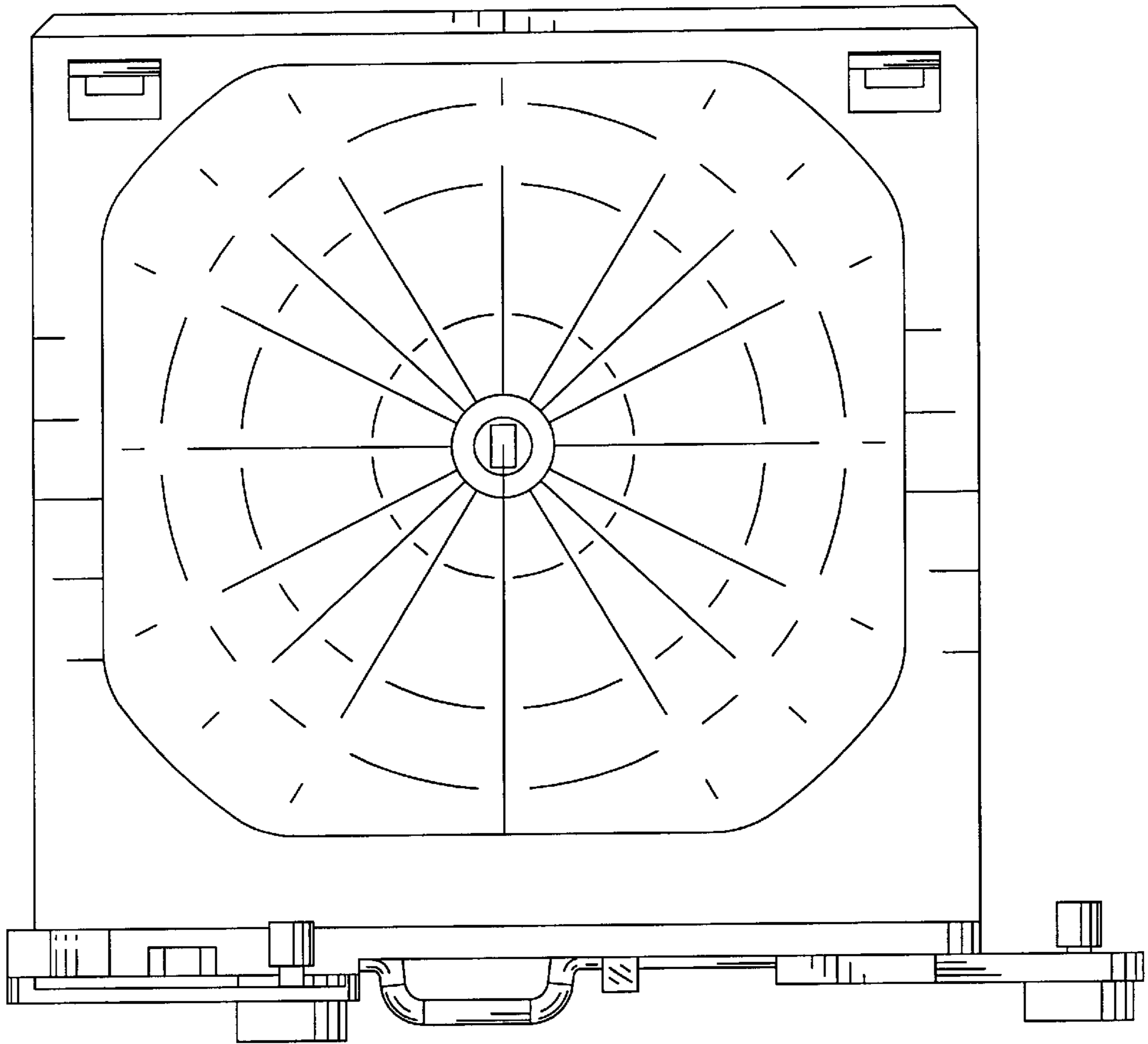


FIG. 1

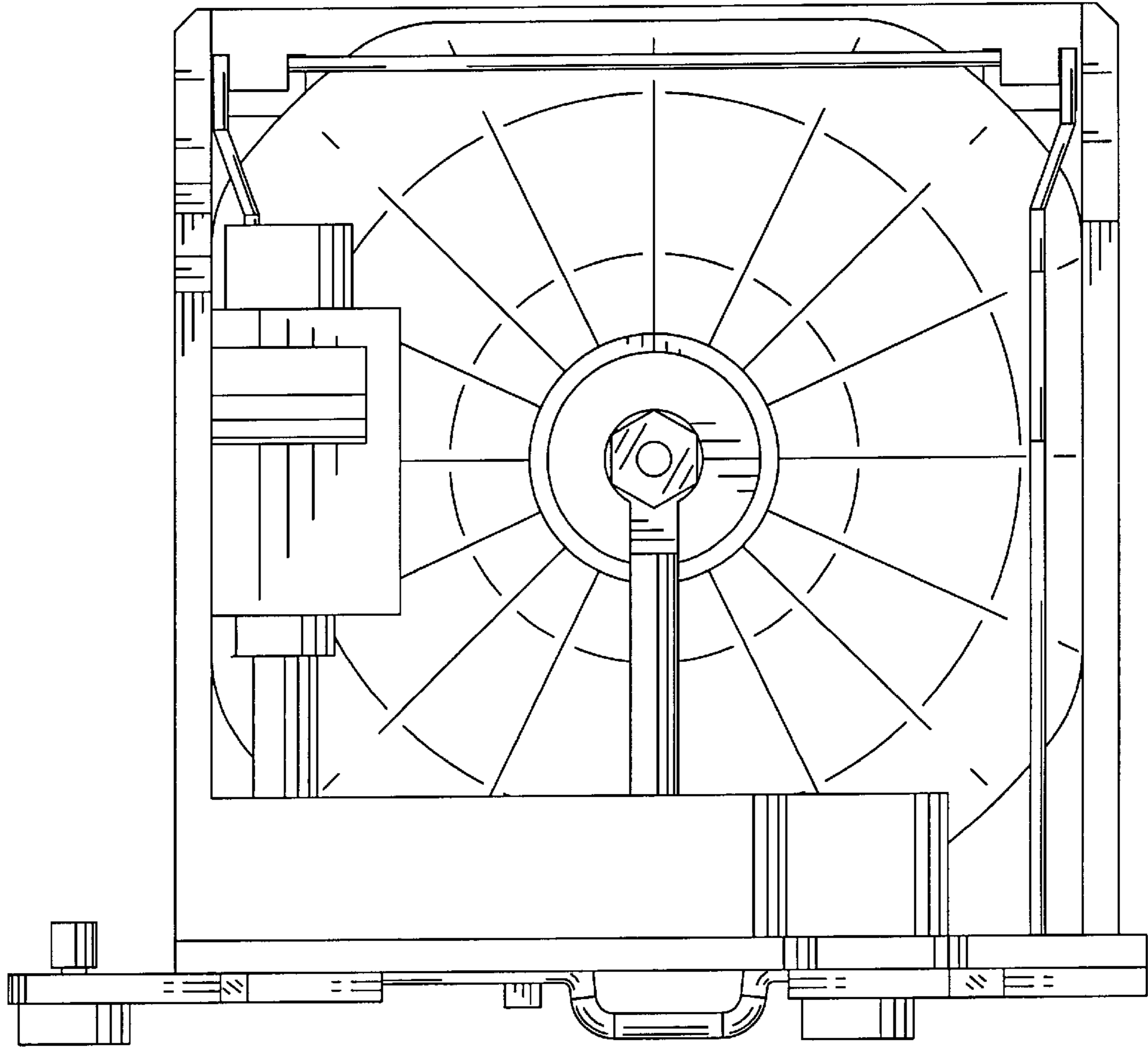


FIG. 2

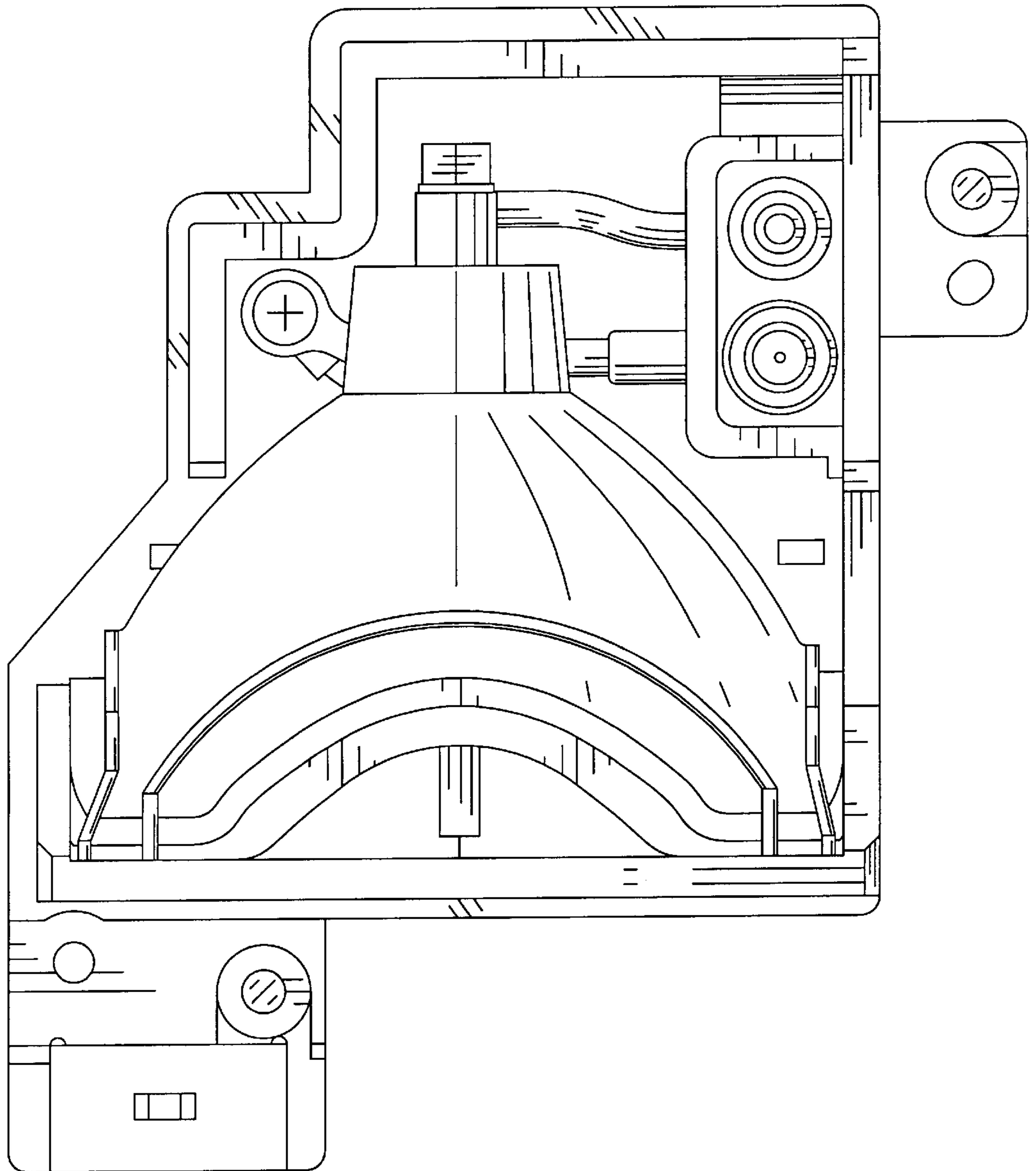


FIG. 3

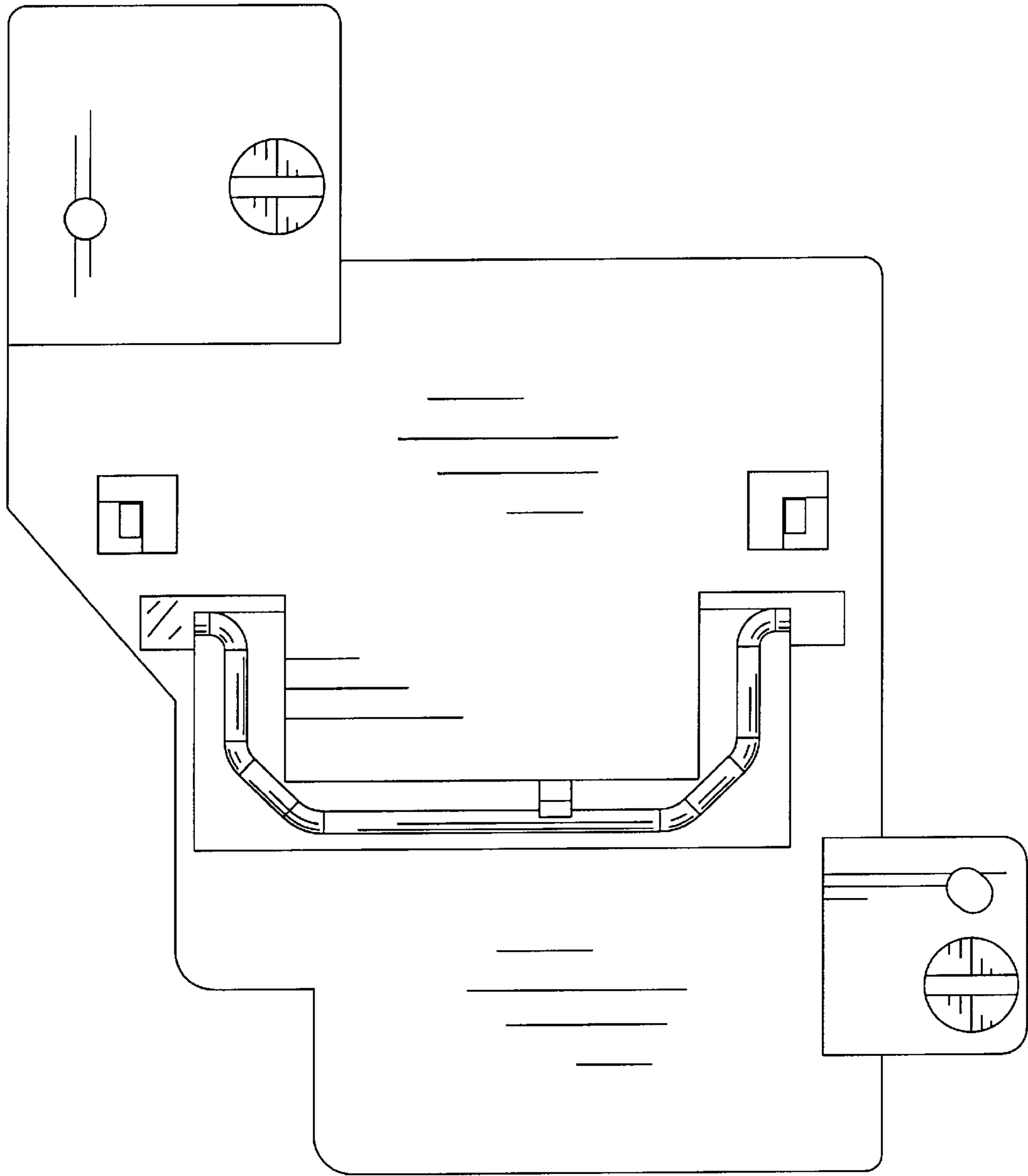


FIG. 4

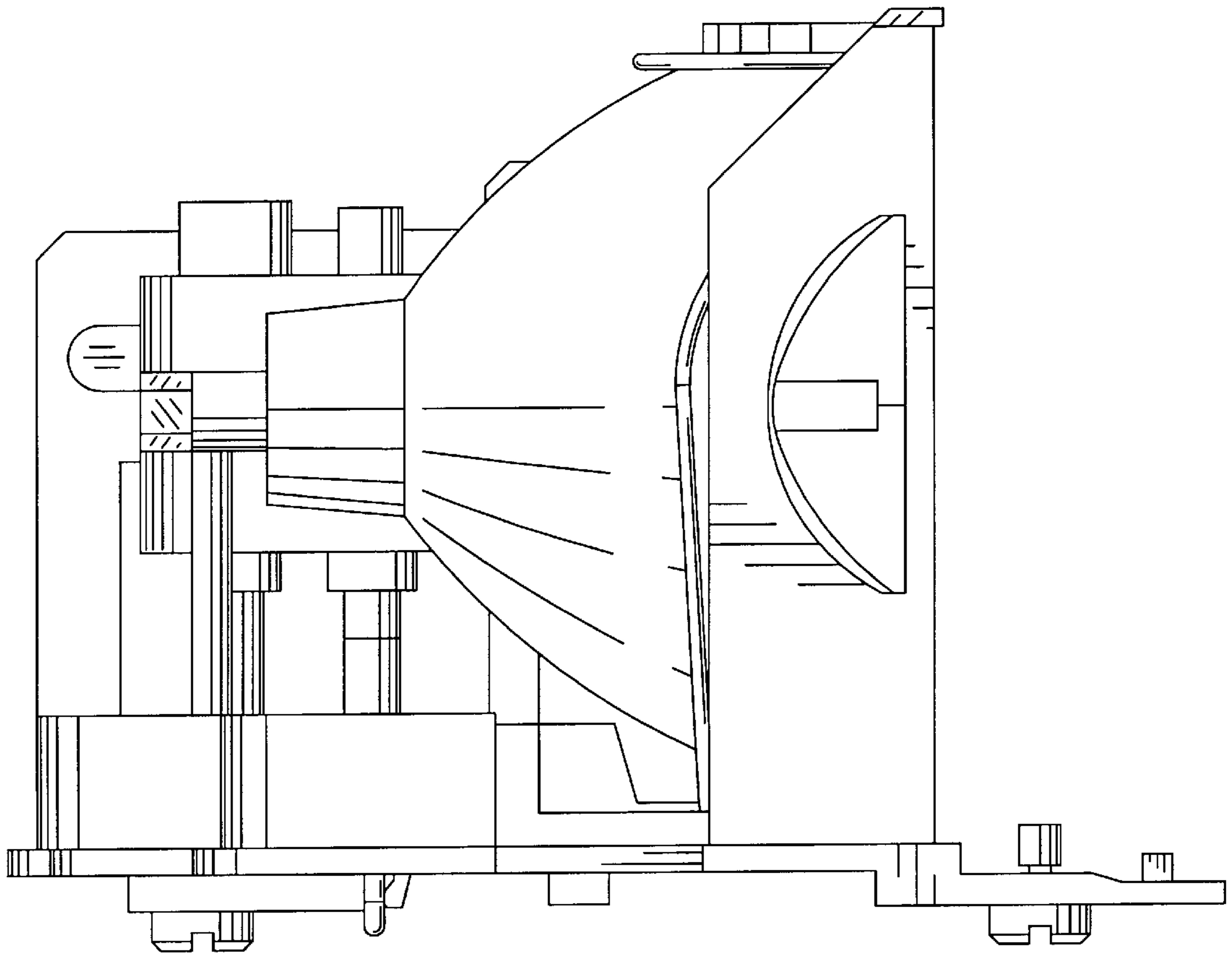


FIG. 5

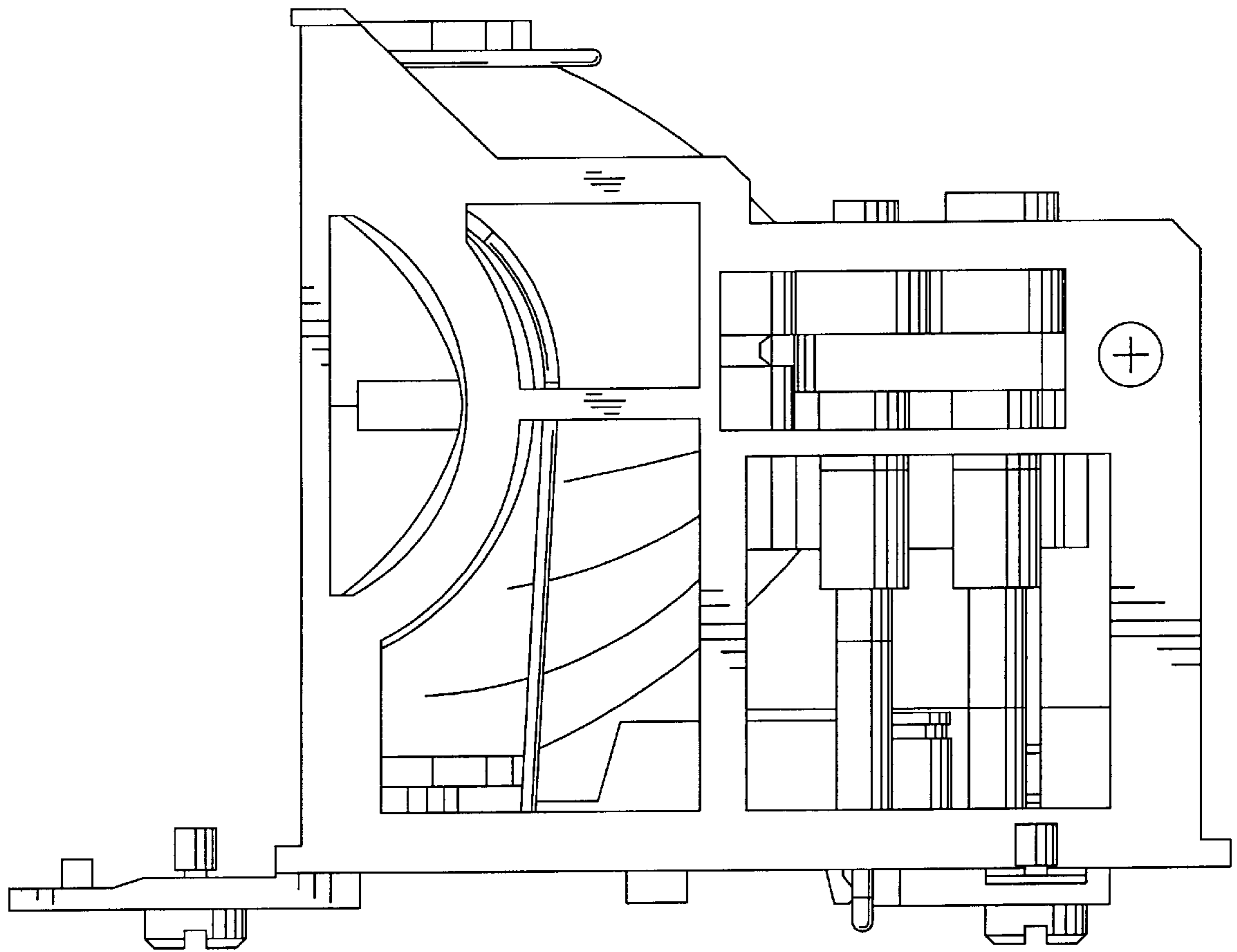


FIG. 6

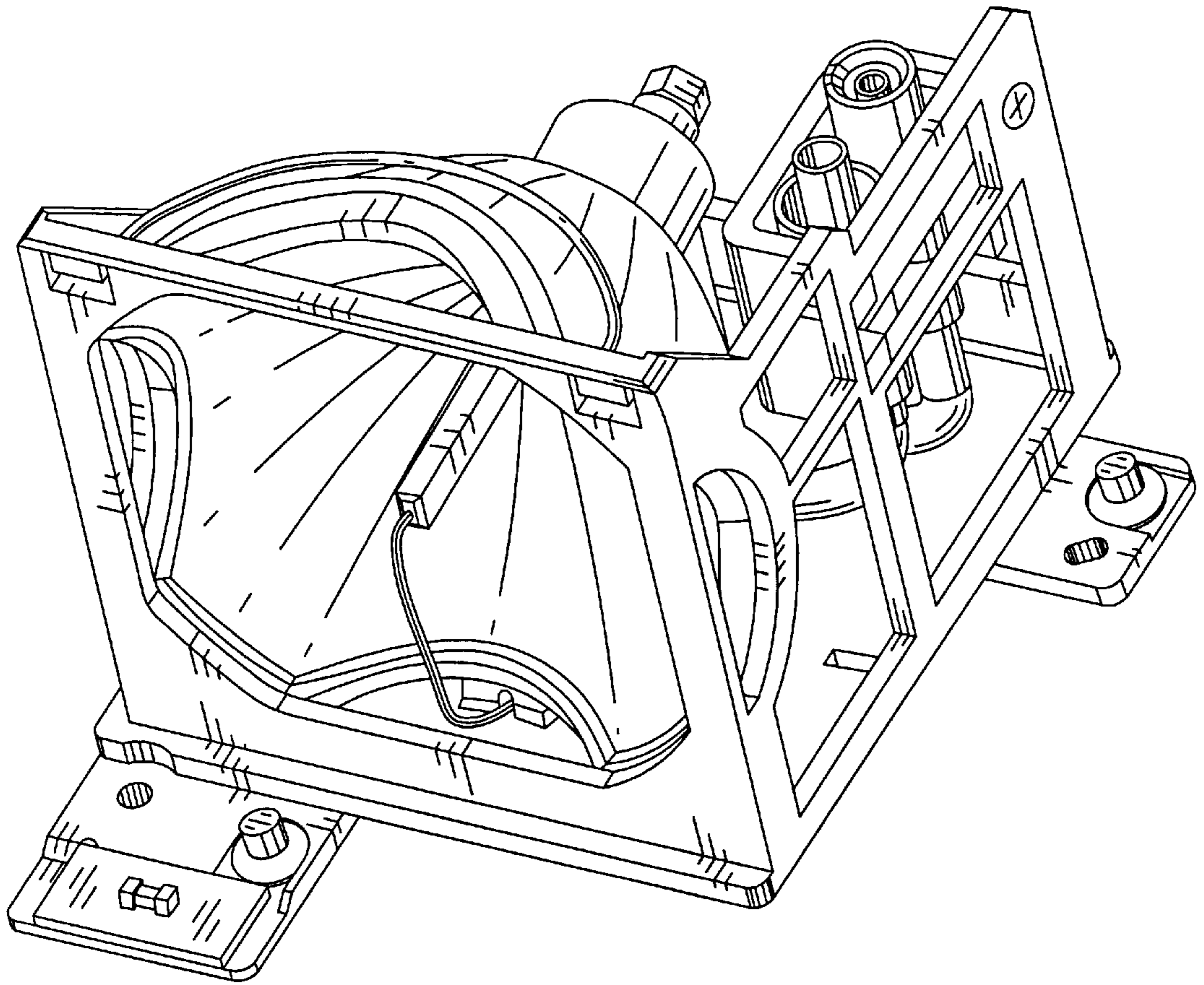


FIG. 7