



US00D420449S

United States Patent [19]

Schifrin et al.

[11] **Patent Number: Des. 420,449**

[45] **Date of Patent: ** Feb. 8, 2000**

[54] **BIOMAGNETIC ADHESIVE BAND**

[76] Inventors: **Arthur Schifrin**, 1800 NE. 114th St., North Miami, Fla. 33181; **Richard Solomon**, 2 Fifth Ave., New York, N.Y. 10013

[**] Term: **14 Years**

[21] Appl. No.: **29/096,434**

[22] Filed: **Nov. 13, 1998**

[51] **LOC (7) Cl.** **24-04**

[52] **U.S. Cl.** **D24/200; D24/189**

[58] **Field of Search** D24/189, 200; 600/15, 9; 602/41, 42, 43, 44, 45, 46, 48, 54, 55

[56] **References Cited**

U.S. PATENT DOCUMENTS

- D. 234,059 1/1975 Popp et al. D24/200
- D. 348,517 7/1994 McDermott D24/206

- D. 402,762 12/1998 Szpur D24/200
- 4,763,659 8/1988 Dunseath, Jr. 128/640
- 5,429,589 7/1995 Cartmell et al. 602/42
- 5,782,743 7/1998 Russell 600/9
- 5,813,971 9/1998 Broderick 600/15

Primary Examiner—Stella Reid
Attorney, Agent, or Firm—Bruce E. Lilling

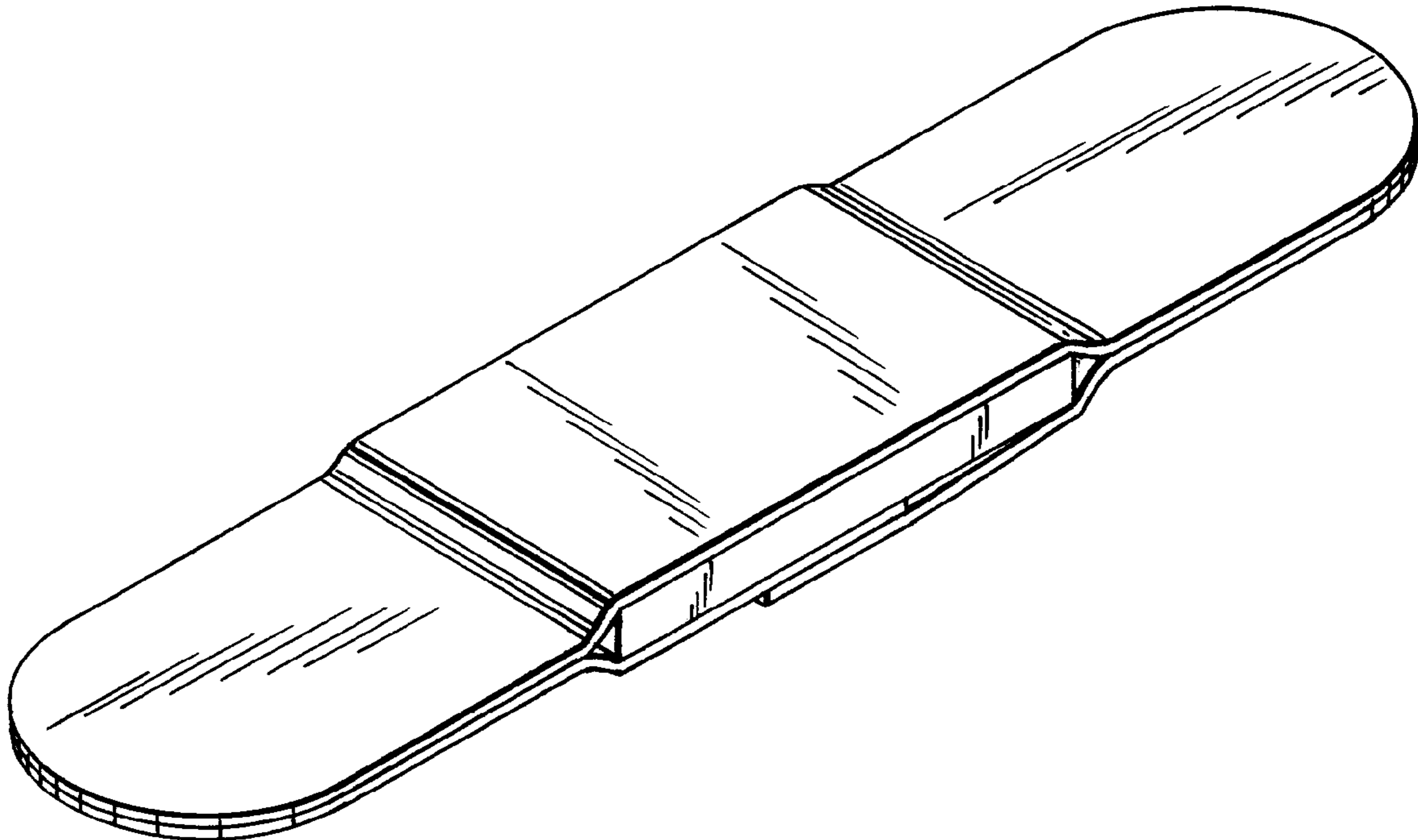
[57] **CLAIM**

The ornamental design for a biomagnetic adhesive band, as shown.

DESCRIPTION

FIG. 1 is a top view of a biomagnetic adhesive band, showing our new design;
FIG. 2 is a bottom view thereof;
FIG. 3 is a front view thereof;
FIG. 4 is a rear view thereof;
FIG. 5 is a left side view thereof;
FIG. 6 is a right side view thereof; and,
FIG. 7 is a perspective view thereof.

1 Claim, 2 Drawing Sheets



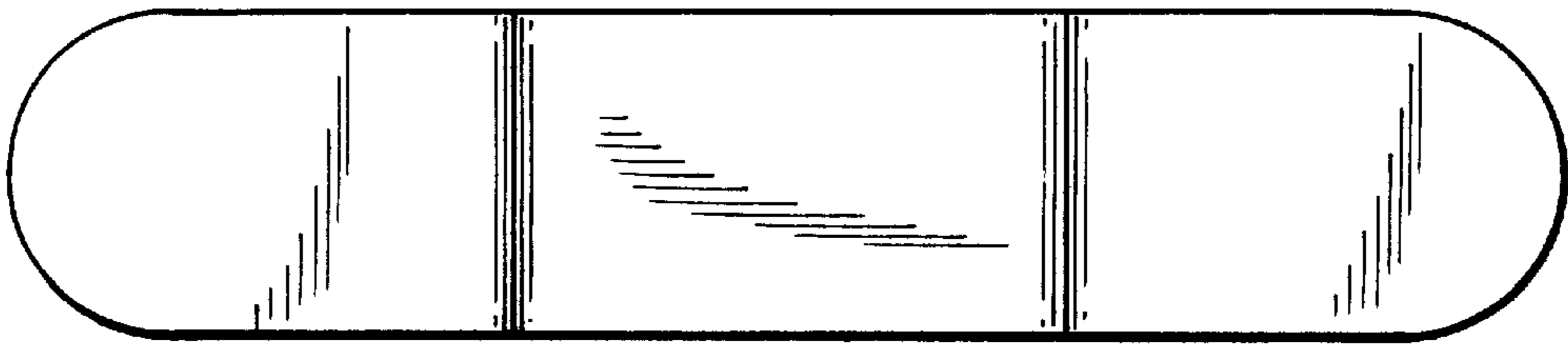


FIG. 1

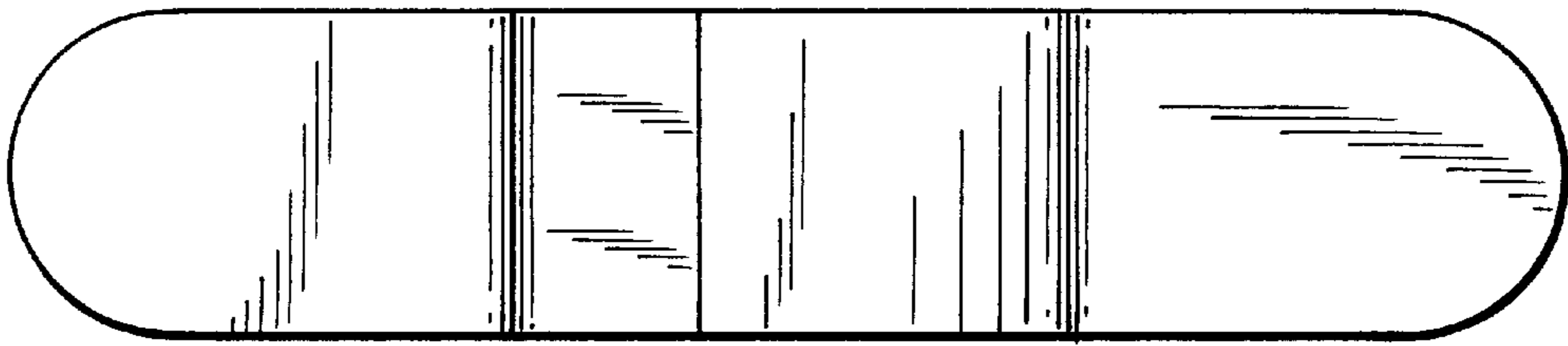


FIG. 2

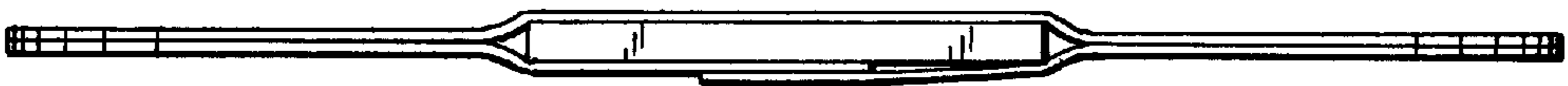


FIG. 3

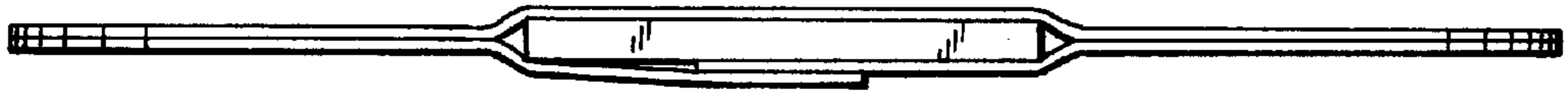


FIG. 4

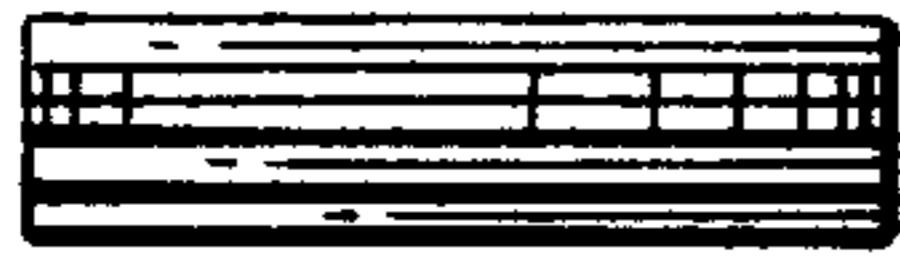


FIG. 5

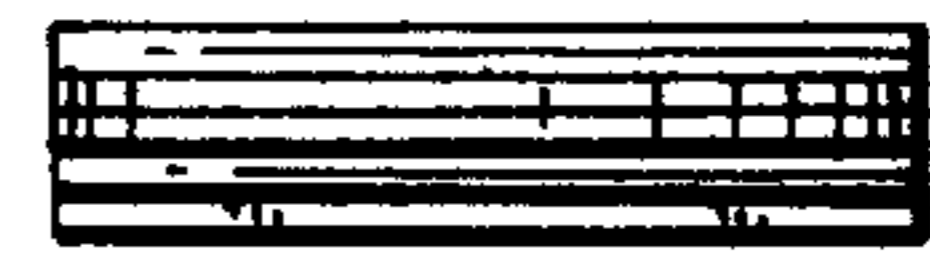


FIG. 6

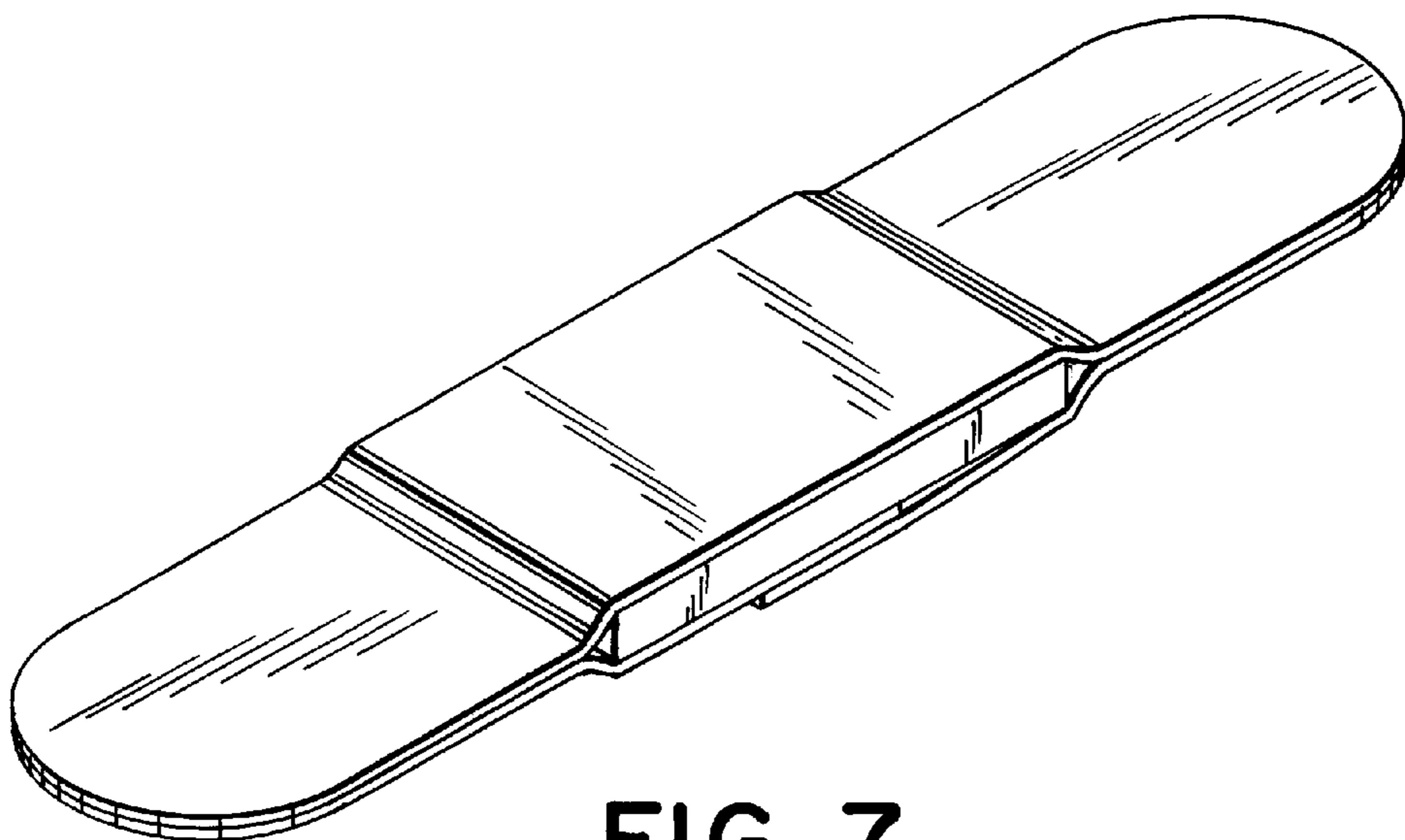


FIG. 7