



US00D420448S

United States Patent [19]

[11] Patent Number: **Des. 420,448**

Brown et al.

[45] Date of Patent: **** Feb. 8, 2000**

[54] **NURSING BOTTLE WITH INDENTED SIDES AND VENT TUBE**

[75] Inventors: **Robert J. Brown; Bernard J. Kemper; Roberta Brown**, all of Bonne Terre, Mo.

[73] Assignee: **Handi-Craft Company**, Bonne Terre, Mo.

[**] Term: **14 Years**

[21] Appl. No.: **29/099,179**

[22] Filed: **Jan. 15, 1999**

[51] **LOC (7) Cl.** **07-01**

[52] **U.S. Cl.** **D24/197**

[58] **Field of Search** D24/197; 215/11.1, 215/11.2, 11.3, 11.4, 11.5, 11.6

| | | | | |
|------------|---------|-----------------|-------|-----------|
| D. 368,138 | 3/1996 | Hamilton | | D24/197 |
| D. 368,529 | 4/1996 | Allegre | | D24/197 |
| D. 370,262 | 5/1996 | Allegre | | D24/197 |
| D. 383,847 | 9/1997 | Skinner | | D24/197 |
| D. 392,390 | 3/1998 | Chan et al. | | D24/197 |
| D. 393,315 | 4/1998 | Crisi | | D24/197 |
| D. 397,444 | 8/1998 | Ibey | | D24/197 |
| D. 402,372 | 12/1998 | Burchett et al. | | D24/197 |
| 4,703,863 | 11/1987 | Kohus | | 215/11.1 |
| 5,215,203 | 6/1993 | Malcolm | | 215/100 A |
| 5,509,549 | 4/1996 | Marandola | | 215/11.3 |
| 5,570,796 | 11/1996 | Brown et al. | | 215/11.5 |
| 5,779,071 | 7/1998 | Brown et al. | | 215/11.5 |

Primary Examiner—Stella Reid
Attorney, Agent, or Firm—Herzog, Crebs & McGhee, LLP

[57] CLAIM

The ornamental design for a nursing bottle with indented sides and vent tube, as shown and described.

DESCRIPTION

FIG. 1 is a right top front perspective view of the bottle, cap and nipple assembly.

FIG. 2 is a front elevational view of the assembly of FIG. 1 showing an internal vent tube.

FIG. 3 is a left or right side view of the bottle of FIG. 1, also showing the vent tube.

FIG. 4 is a top plan view of the assembly of FIG. 1.

FIG. 5 is a bottom view of the bottle and vent tube of FIGS. 2 and 3.

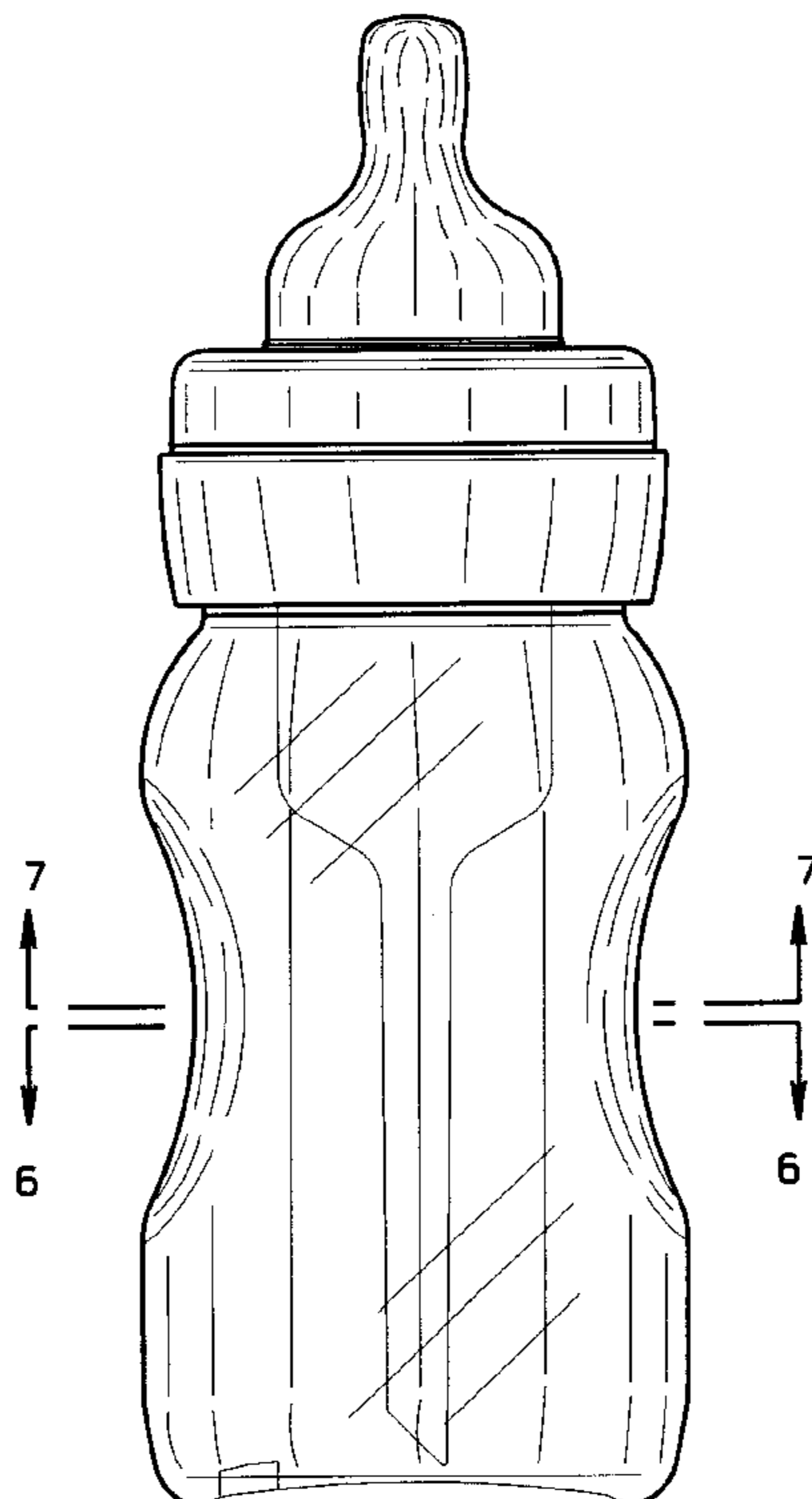
FIG. 6 is a downward horizontal cross-sectional view of the assembly of FIG. 1 taken along lines 6—6 of FIG. 2; and, FIG. 7 is an upward horizontal cross-sectional view of the assembly of FIG. 1 taken along lines 7—7 of FIG. 2.

[56] References Cited

U.S. PATENT DOCUMENTS

| | | | | |
|------------|---------|-----------------|-------|---------|
| D. 298,354 | 11/1988 | Viator | | D24/47 |
| D. 301,741 | 6/1989 | Barber | | D24/47 |
| D. 307,476 | 4/1990 | Gonzalez et al. | | D24/47 |
| D. 308,575 | 6/1990 | Mariol | | D24/47 |
| D. 312,878 | 12/1990 | Mariol | | D24/47 |
| D. 313,075 | 12/1990 | Mariol | | D24/47 |
| D. 315,021 | 2/1991 | Frosceno et al. | | D24/47 |
| D. 315,409 | 3/1991 | Baarber | | D24/47 |
| D. 330,084 | 10/1992 | Kwang | | D24/198 |
| D. 333,704 | 3/1993 | Malcolm | | D24/194 |
| D. 340,771 | 10/1993 | Levy et al. | | D24/197 |
| D. 347,066 | 5/1994 | Malcolm et al. | | D24/197 |
| D. 351,656 | 10/1994 | Collins | | D24/198 |
| D. 356,160 | 3/1995 | Cautereels | | D24/197 |

1 Claim, 2 Drawing Sheets



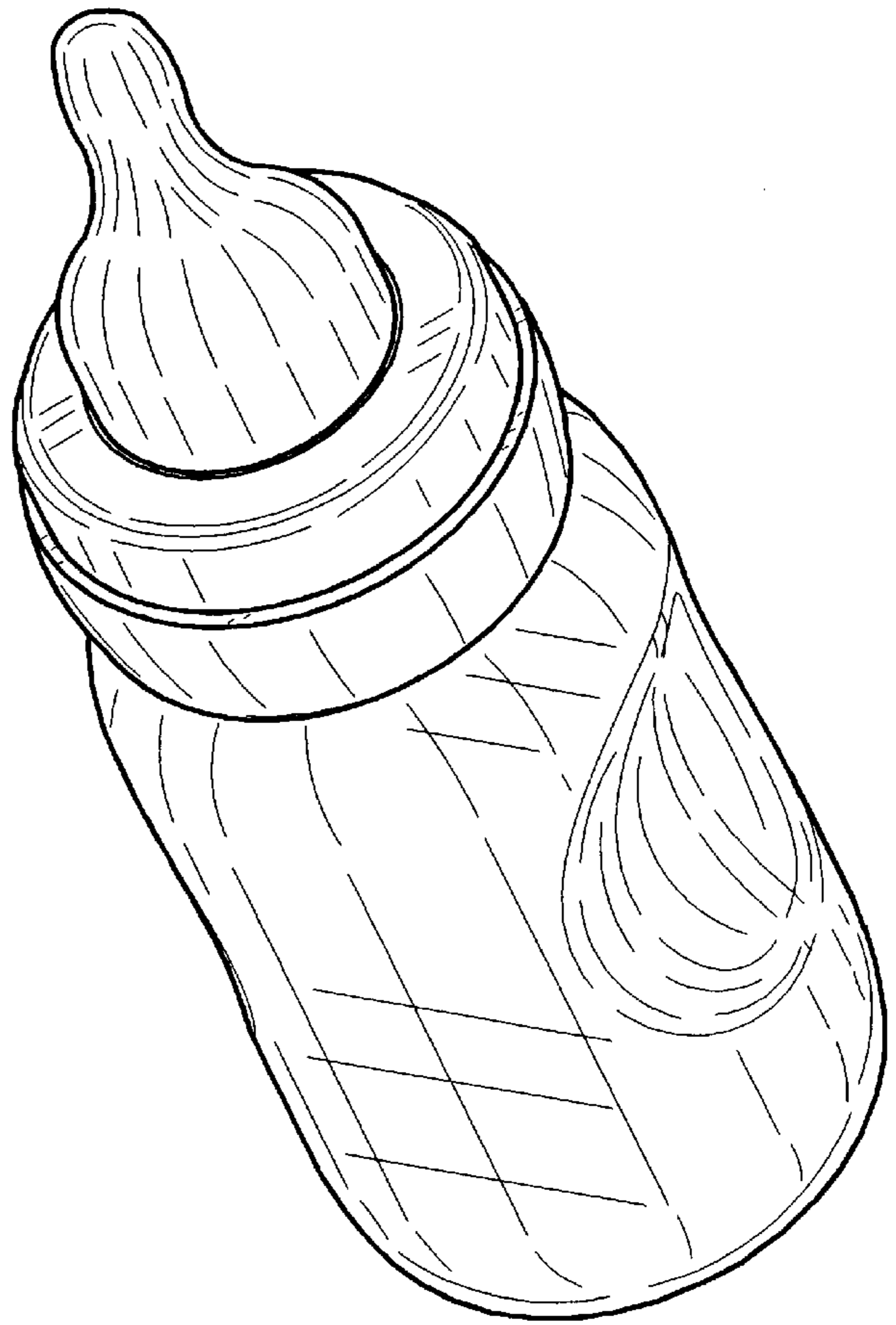


FIG. 1

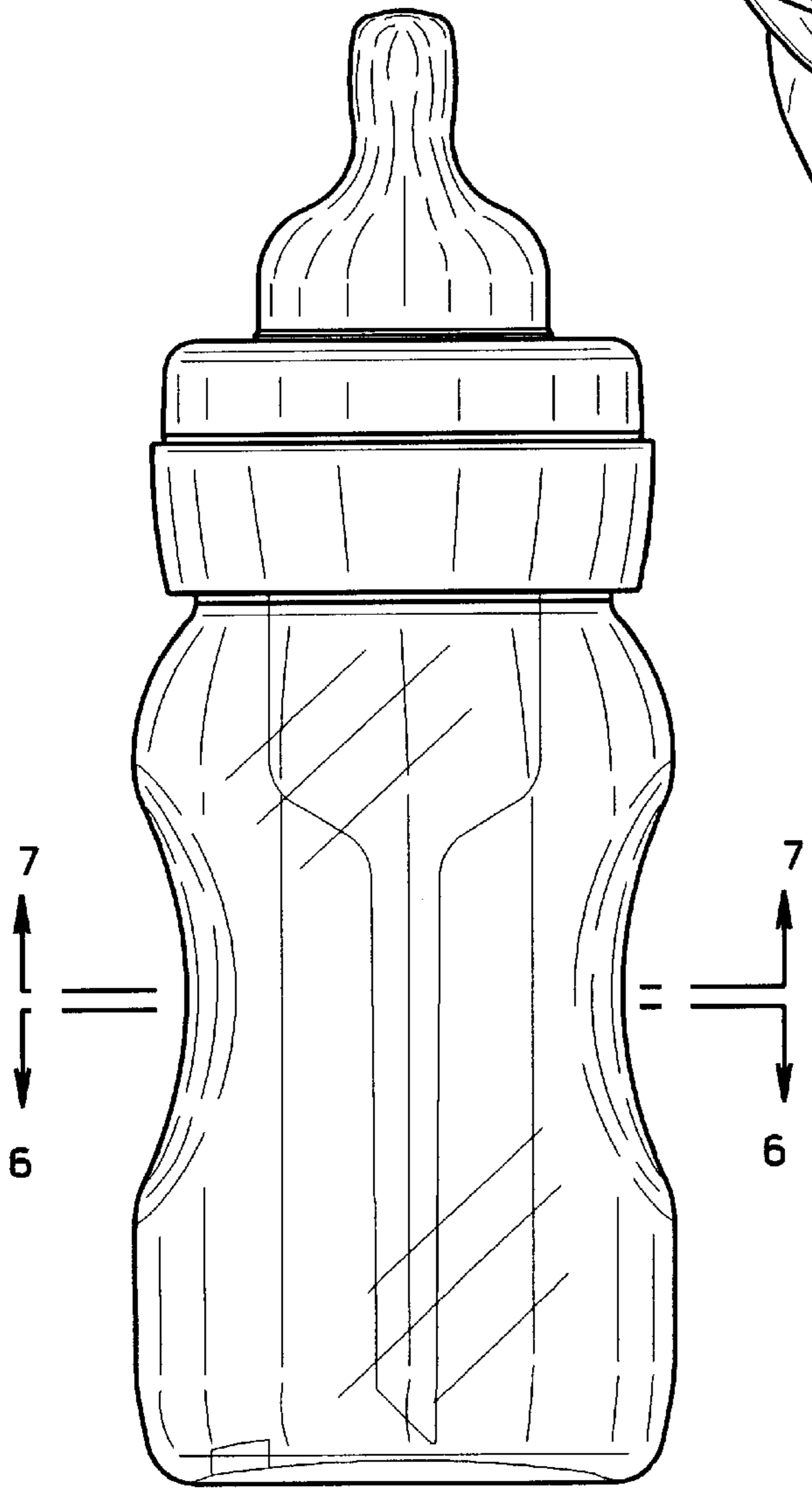


FIG. 2

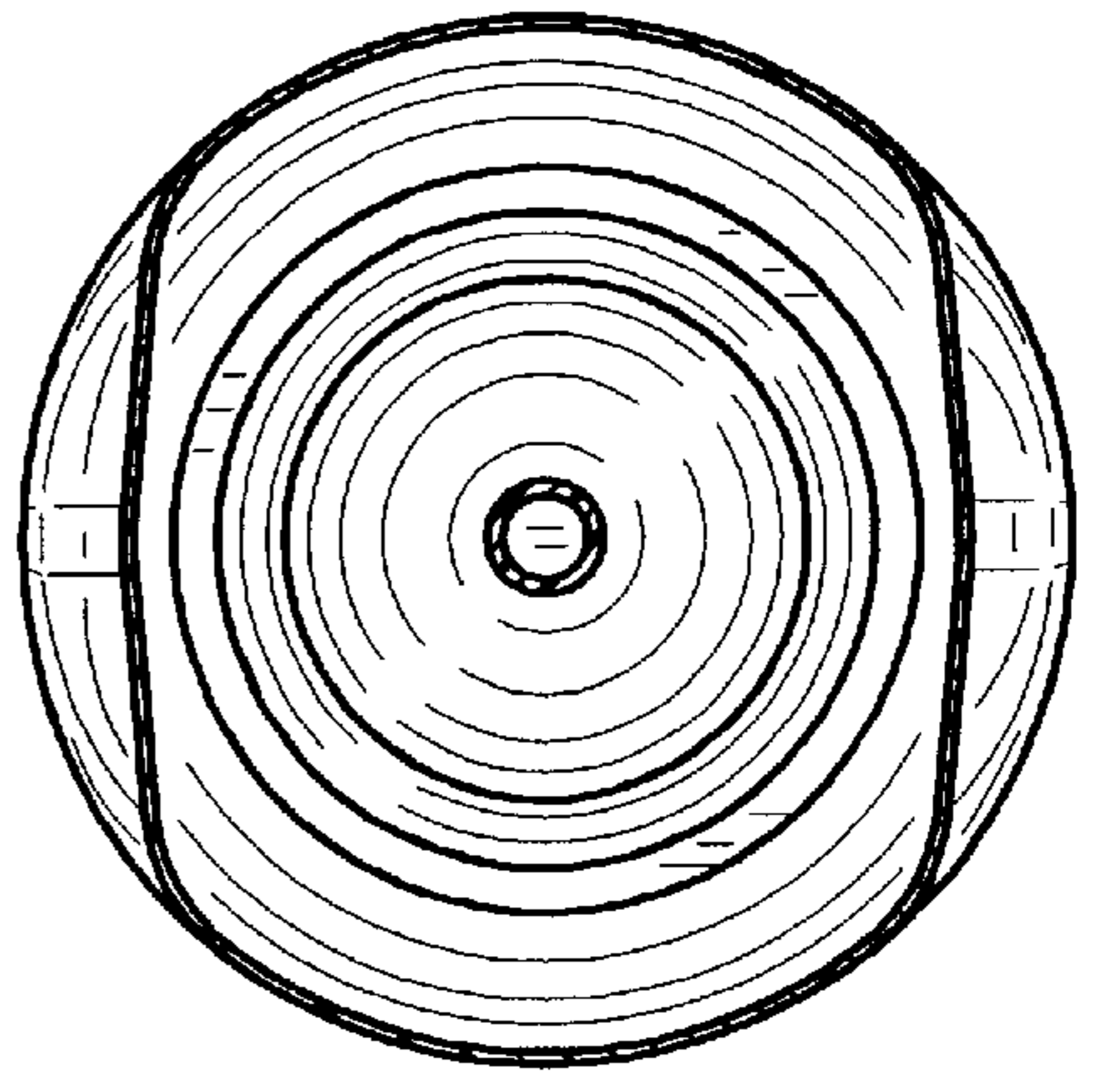


FIG. 7

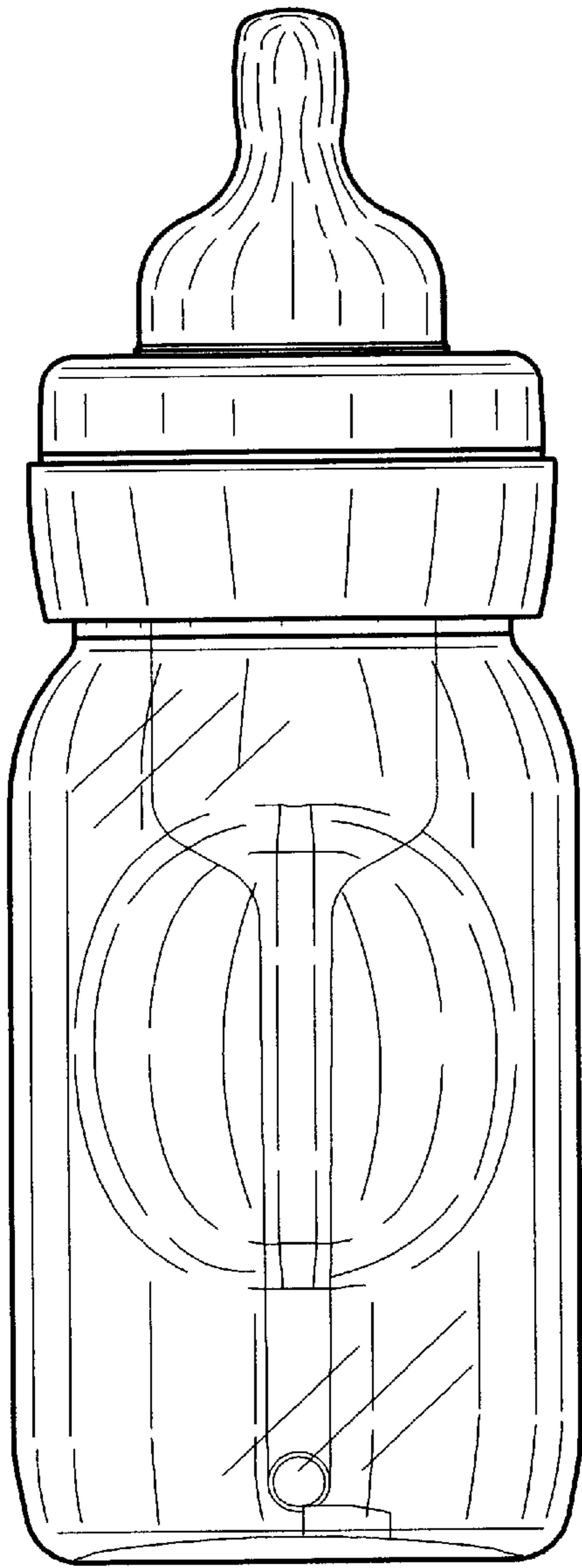


FIG. 3

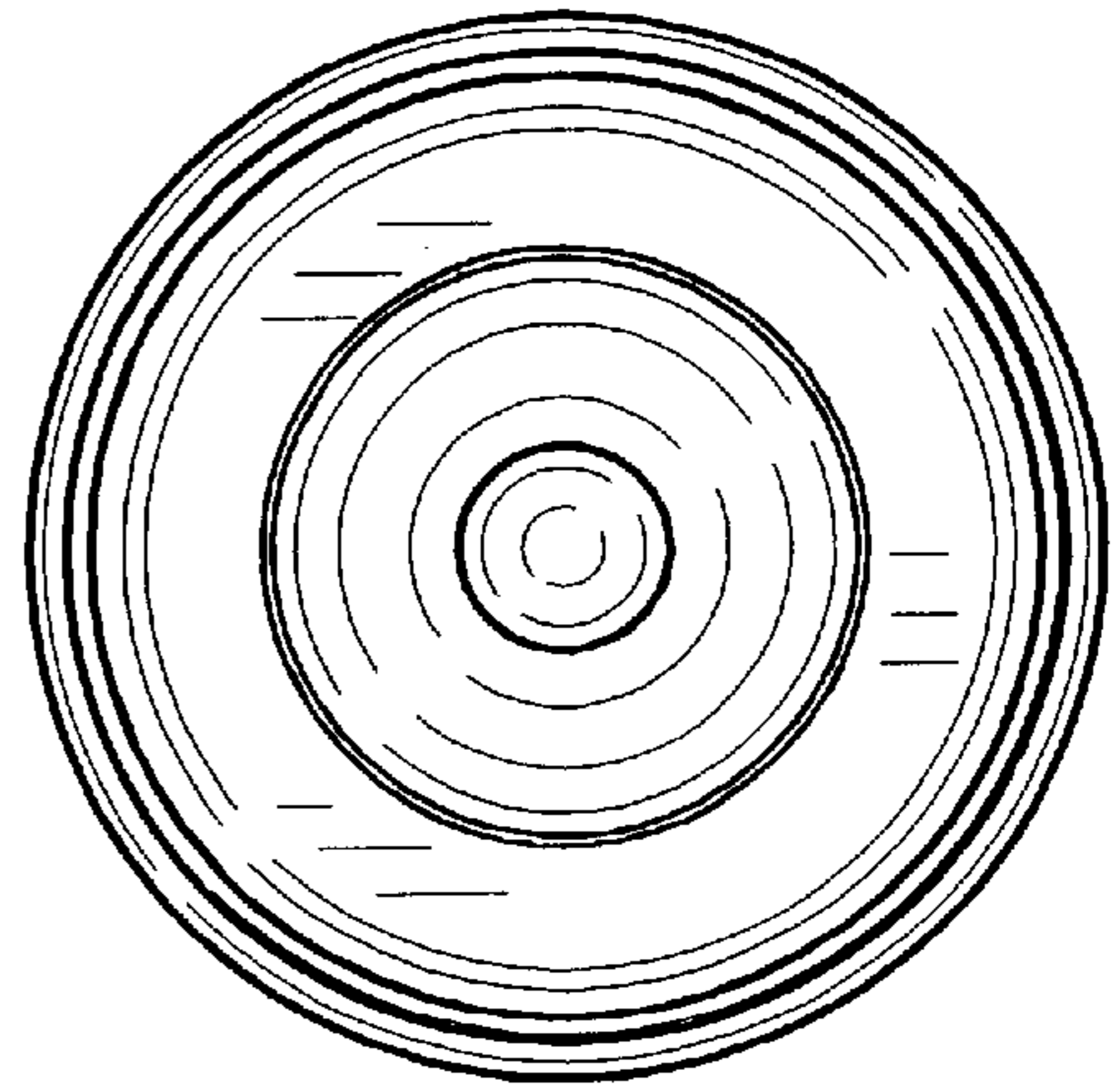


FIG. 4

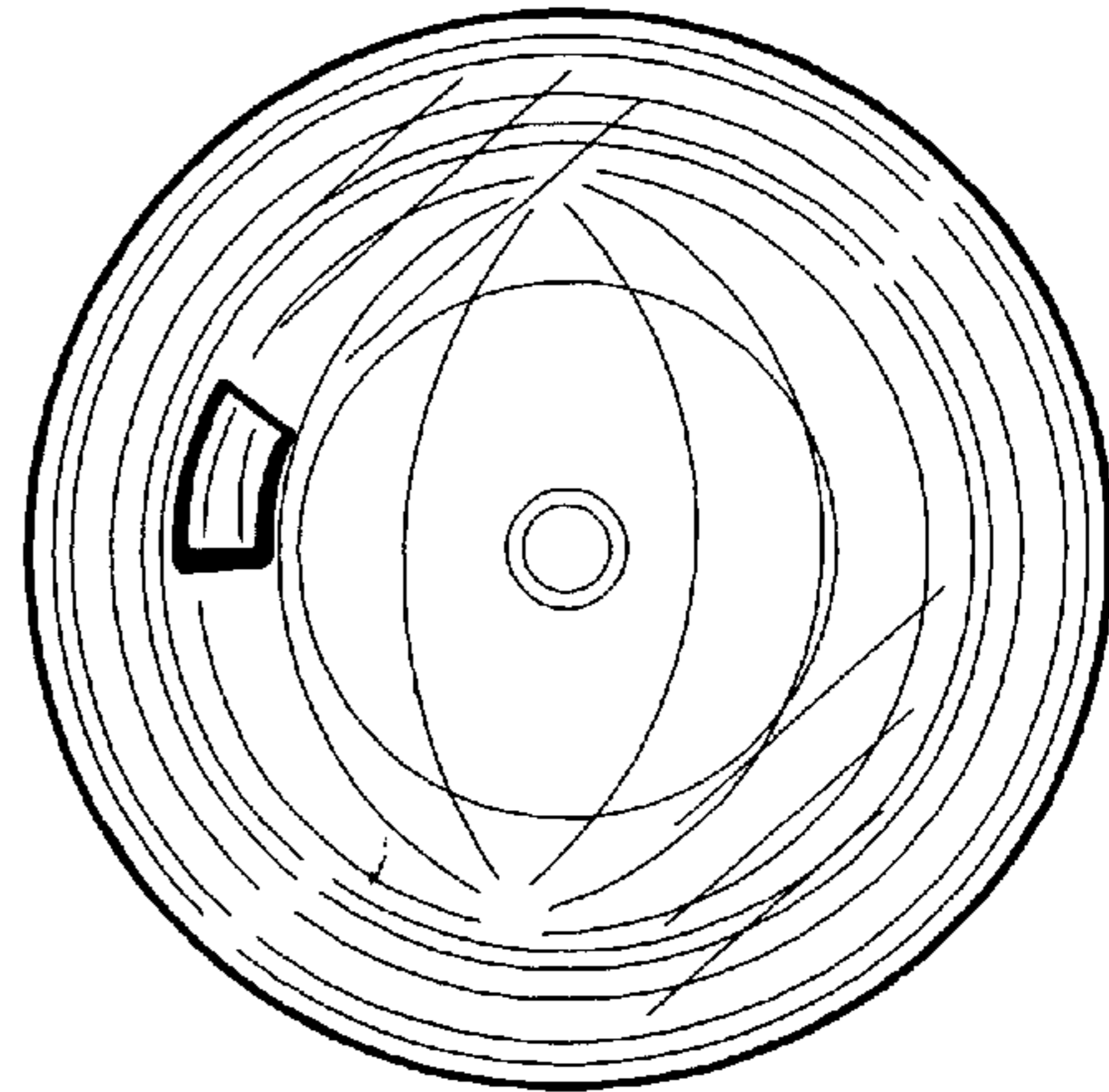


FIG. 5

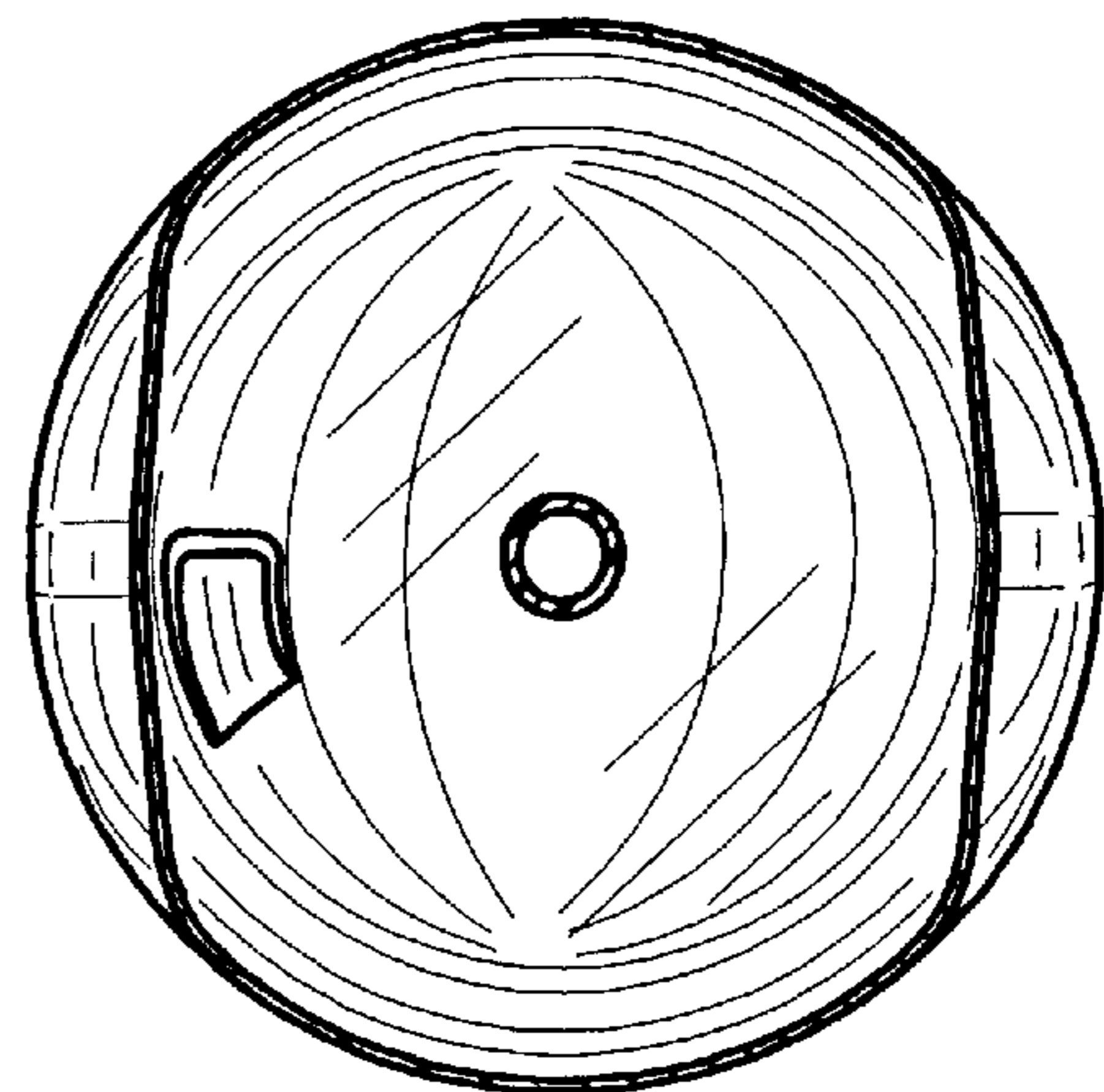


FIG. 6