



US00D420446S

United States Patent [19]

Kehr et al.

[11] Patent Number: Des. 420,446

[45] Date of Patent: ** Feb. 8, 2000

[54] **HAND-HELD PORTABLE MEDICAL MONITOR FOR MANAGING THE ADMINISTRATION OF MEDICATION AND MEDICAL TREATMENT REGIMENS**

[75] Inventors: **Bruce A. Kehr**, Potomac, Md.; **Evan Sohn**, New York, N.Y.; **David Maurer**, Randolph, N.J.; **Irwin D. Baumel**, Delray Beach, Fla.; **David S. Stempler**, Potomac, Md.

[73] Assignee: **InforMedix, Inc.**, Rockville, Md.

[**] Term: **14 Years**

[21] Appl. No.: **29/086,733**

[22] Filed: **Apr. 10, 1998**

[51] **LOC (7) Cl.** **24-02**

[52] **U.S. Cl.** **D24/186**

[58] **Field of Search** D24/186, 232, D24/226; 128/920, 921, 630, 897; 600/300, 301, 316; 368/10, 21, 107-109

[56] References Cited

U.S. PATENT DOCUMENTS

D. 280,132	8/1985	McLaughlin	D24/226
D. 291,120	7/1987	Schuster	D24/226
D. 390,666	2/1998	Lagerlöf	D24/186
4,962,491	10/1990	Schaeffer	368/21
4,975,842	12/1990	Darrow et al.	600/300

Primary Examiner—Stella Reid

[57] CLAIM

The ornamental design for a hand-held portable medical monitor for managing the administration of medication and medical treatment regimens, as shown and described.

DESCRIPTION

FIG. 1 is a top perspective view of a hand-held portable medical monitor for managing the administration of medication and medical treatment regimens, with its top cover in a closed position, showing our new design;

FIG. 2 is a top plan view a hand-held portable medical monitor for managing the administration of medication and medical treatment regimens thereof;

FIG. 3 is a bottom plan view a hand-held portable medical monitor for managing the administration of medication and medical treatment regimens thereof;

FIG. 4 is a front elevational view a hand-held portable medical monitor for managing the administration of medication and medical treatment regimens thereof;

FIG. 5 is a rear elevational view a hand-held portable medical monitor for managing the administration of medication and medical treatment regimens thereof;

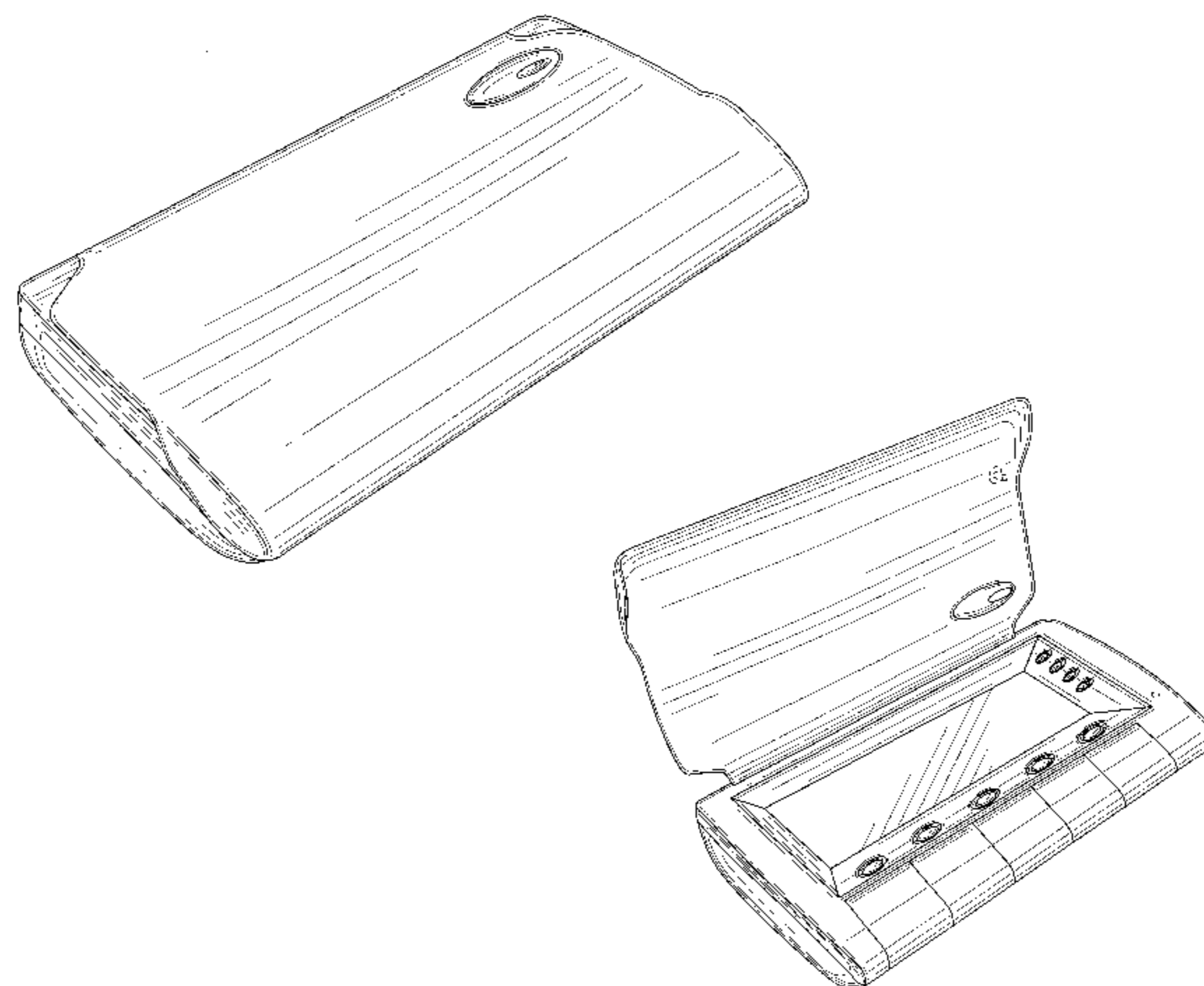
FIG. 6 is a left side elevational view a hand-held portable medical monitor for managing the administration of medication and medical treatment regimens thereof;

FIG. 7 is a right side elevational view a hand-held portable medical monitor for managing the administration of medication and medical treatment regimens thereof; and,

FIG. 8 is a top perspective view on a reduced scale thereof, with its top cover in an open position and its five compartment lids in closed position.

The broken line showing in FIGS. 3, 5 and 7 is for illustrative purposes only and forms no part of the claimed design.

1 Claim, 6 Drawing Sheets



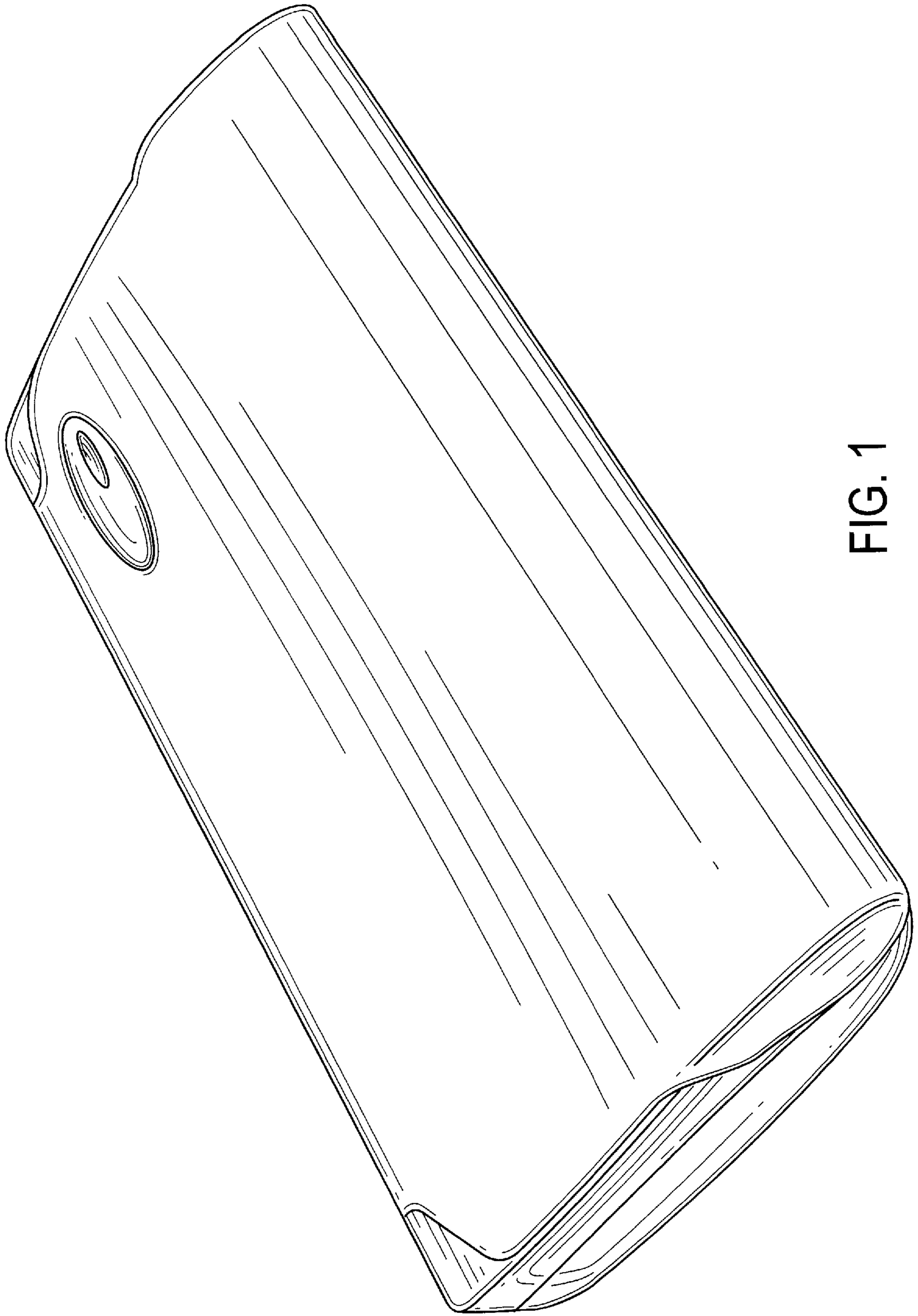


FIG. 1

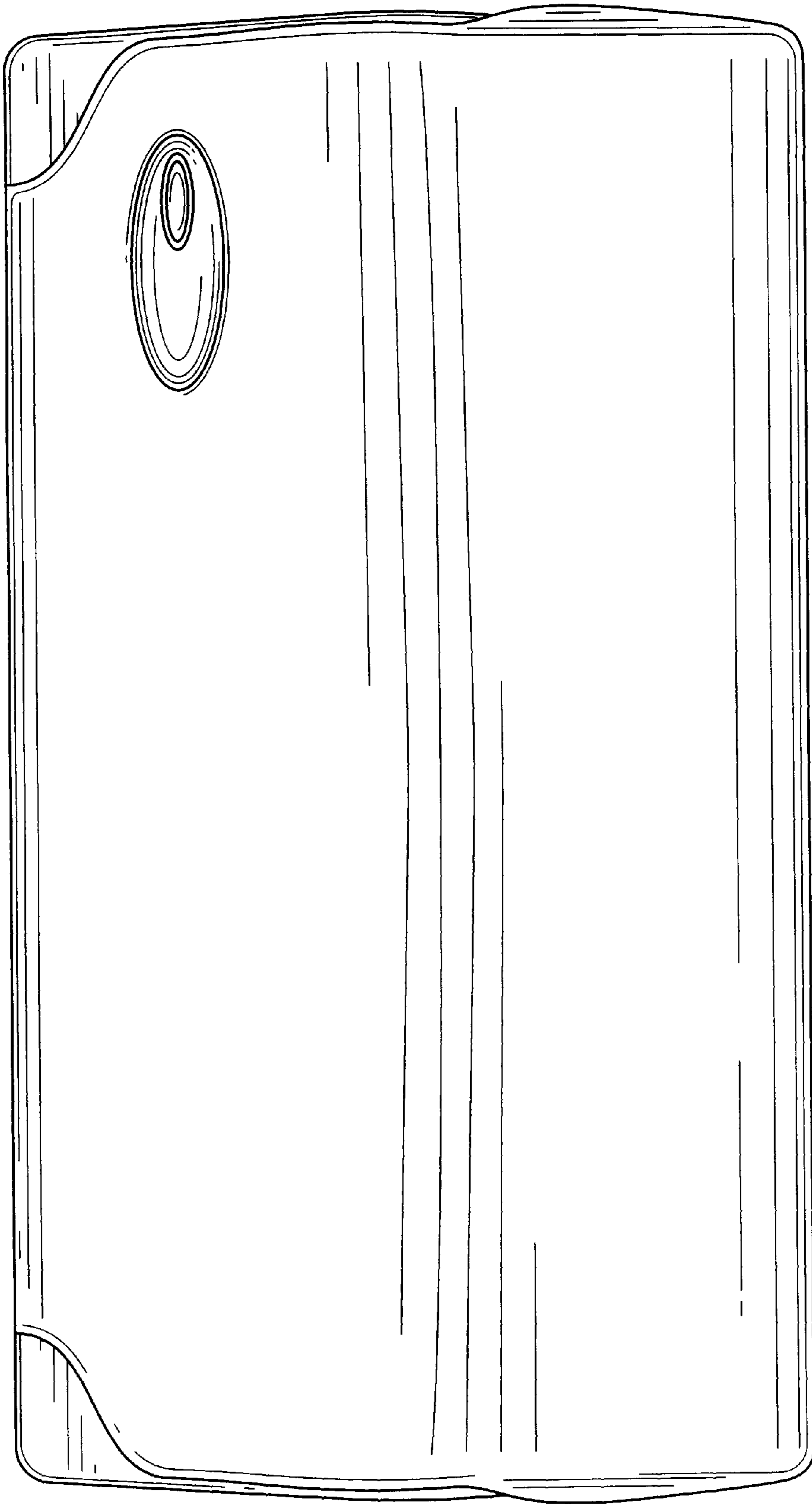


FIG. 2

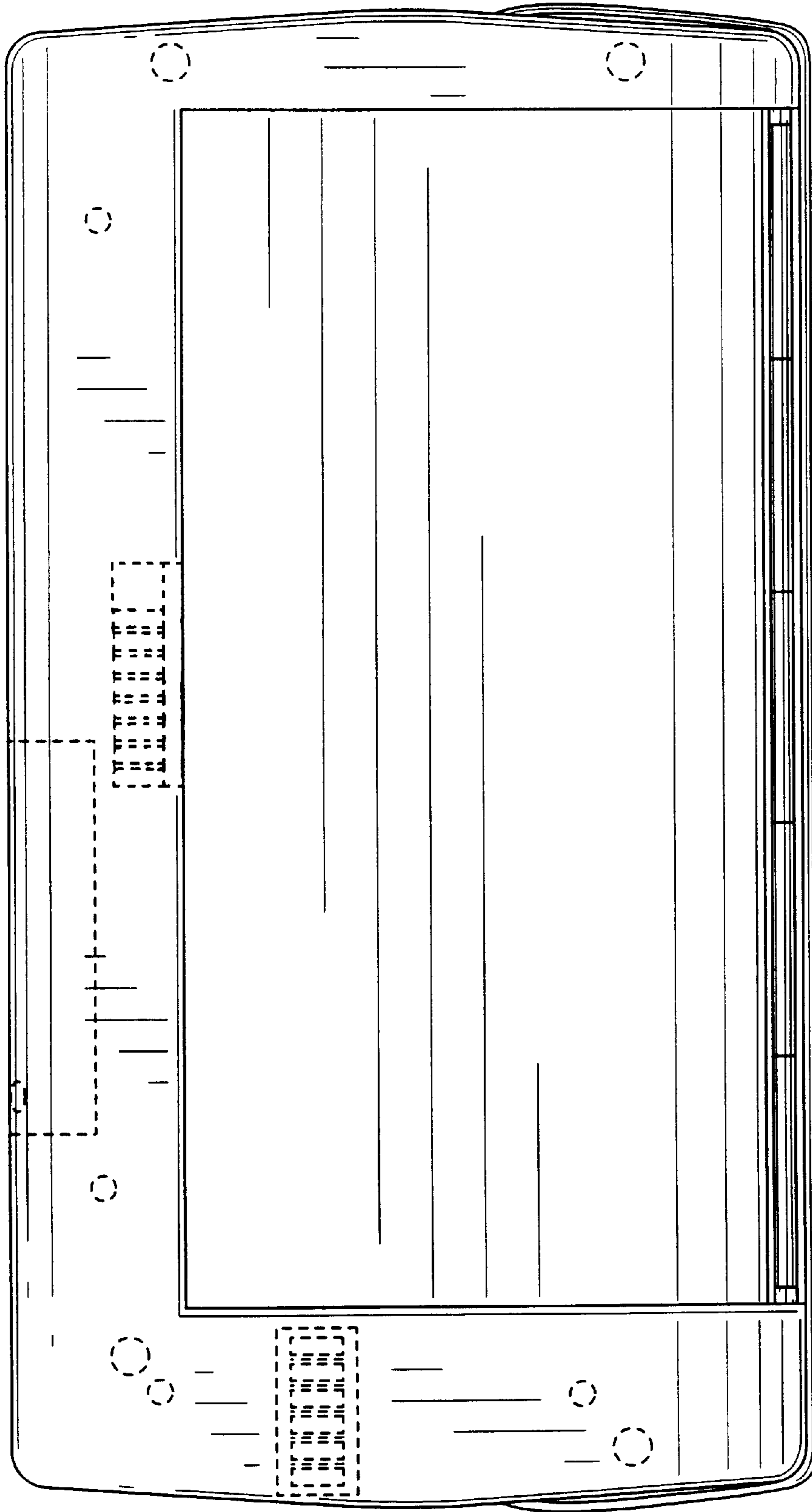


FIG. 3

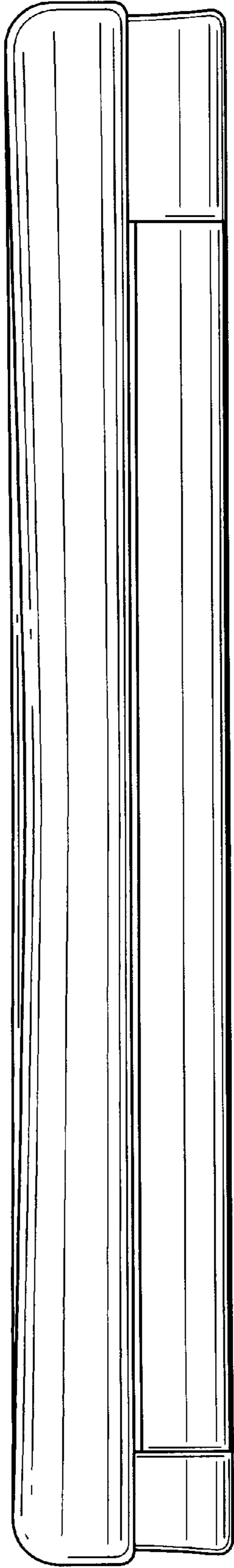


FIG. 4

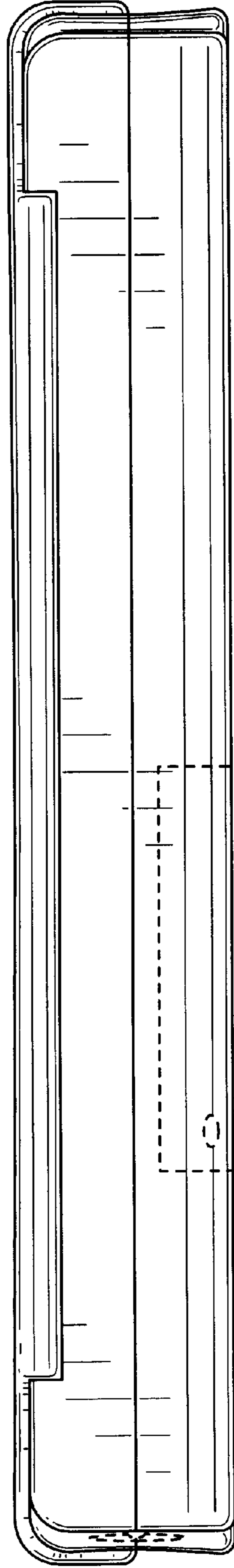


FIG. 5

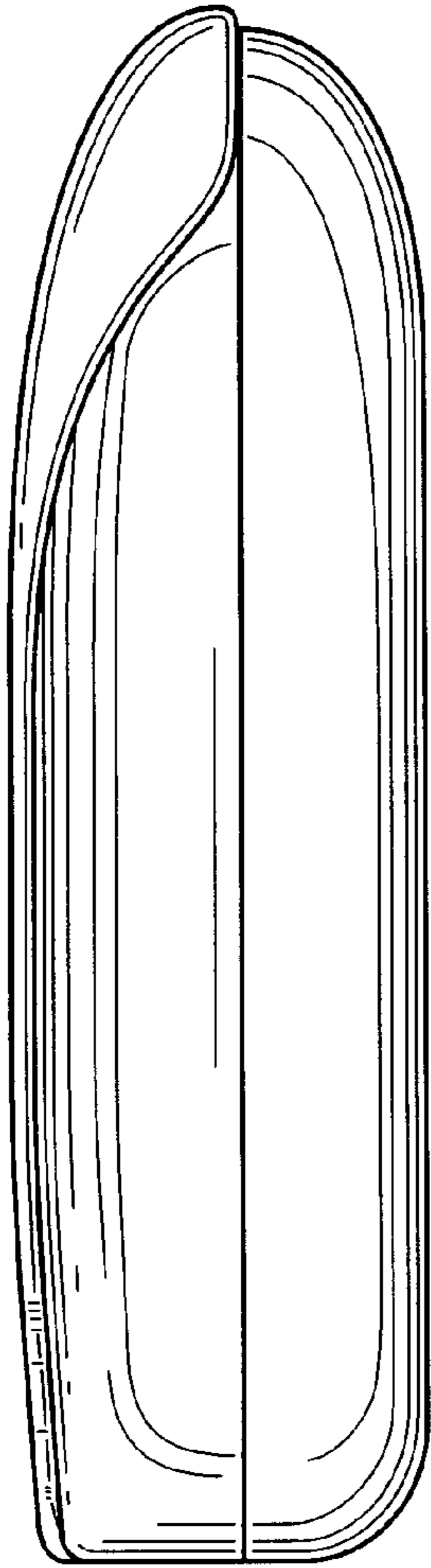


FIG. 6

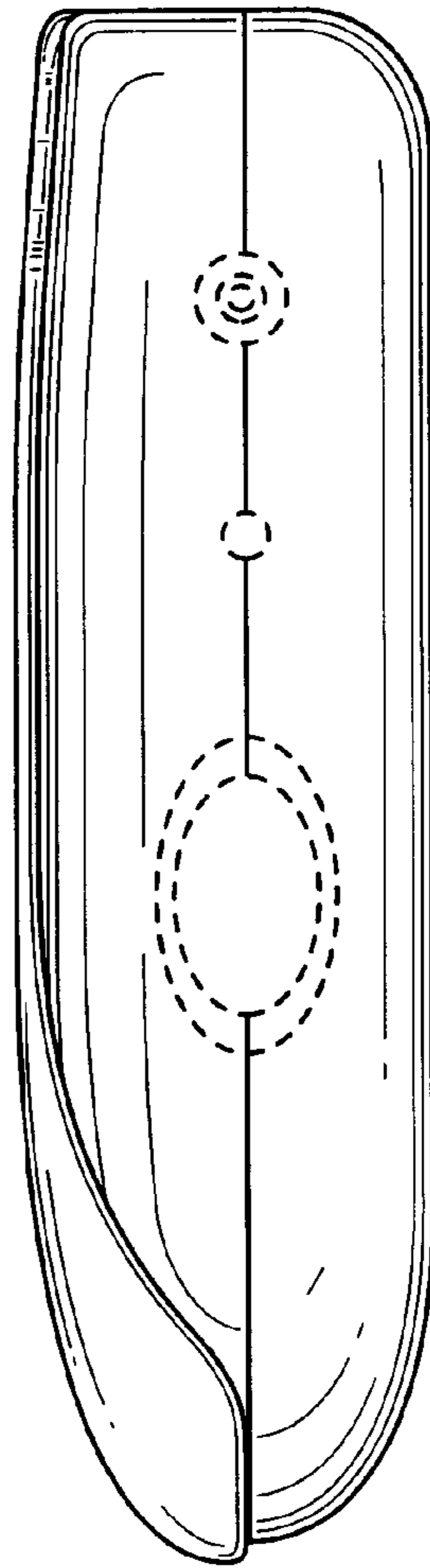


FIG. 7

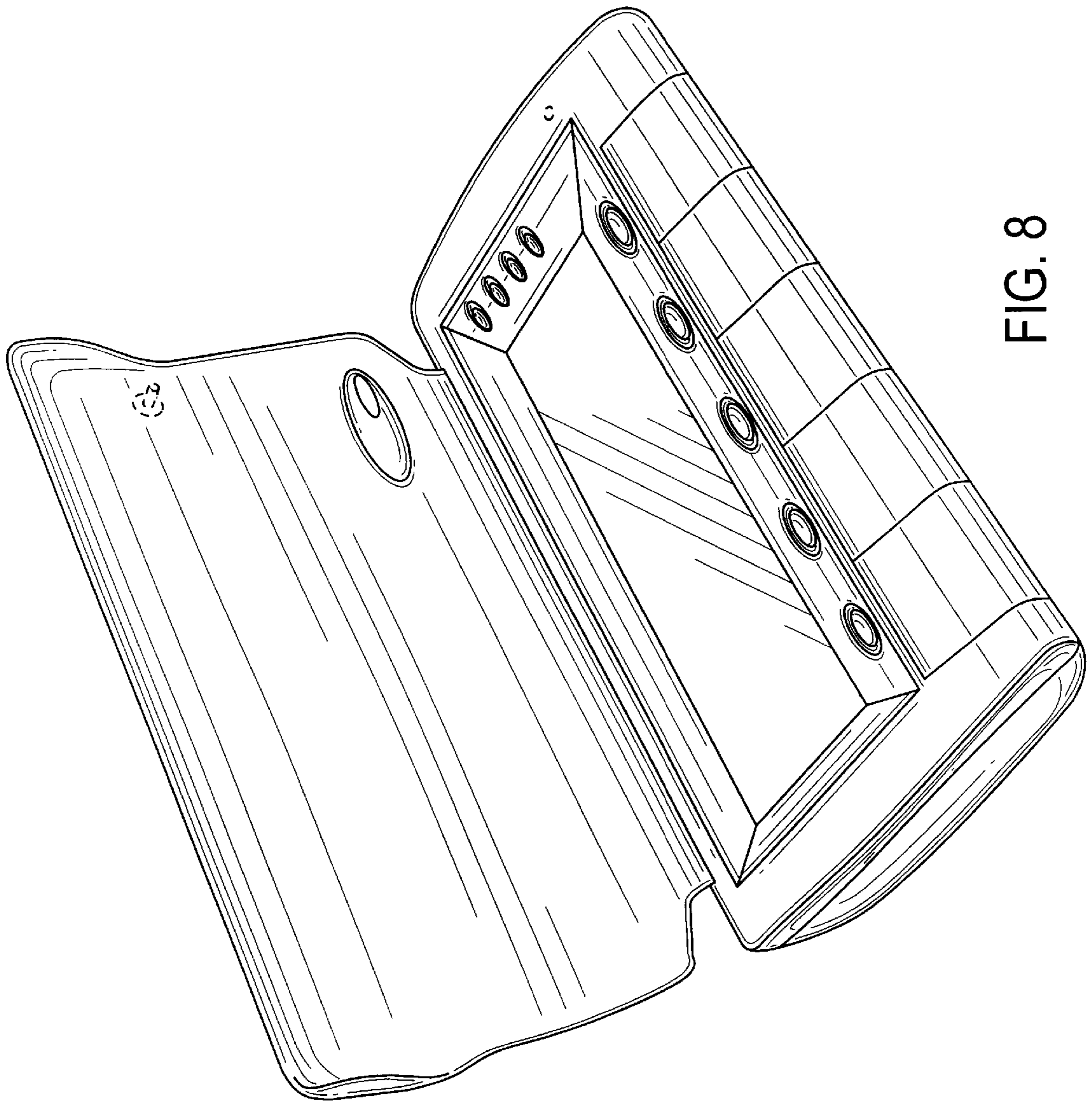


FIG. 8