



US00D420444S

United States Patent [19] McGugan

[11] **Patent Number: Des. 420,444**

[45] **Date of Patent: ** Feb. 8, 2000**

[54] **BLOOD PROCESSOR**

5,401,237 3/1995 Tachibana et al. 604/4
5,423,738 6/1995 Robinson et al. 604/4

[75] Inventor: **Steve McGugan**, Copenhagen,
Denmark

FOREIGN PATENT DOCUMENTS

[73] Assignee: **Bristol-Myers Squibb Company**, New
York, N.Y.

0654669 5/1995 European Pat. Off. .
9714451 4/1997 WIPO .
9720635 6/1997 WIPO .

[**] Term: **14 Years**

Primary Examiner—Stella Reid
Attorney, Agent, or Firm—Theodore R. Furman, Jr.; John
M. Kilcoyne; Stuart E. Krieger

[21] Appl. No.: **29/047,554**

[22] Filed: **Dec. 7, 1995**

[57] CLAIM

[51] **LOC (7) Cl.** **24-04**

The ornamental design for a blood processor, as shown and
described.

[52] **U.S. Cl.** **D24/169**

[58] **Field of Search** D24/169, 180,
D24/232; 604/4, 6, 28, 48, 49; 422/41,
48; 210/198.1, 782

DESCRIPTION

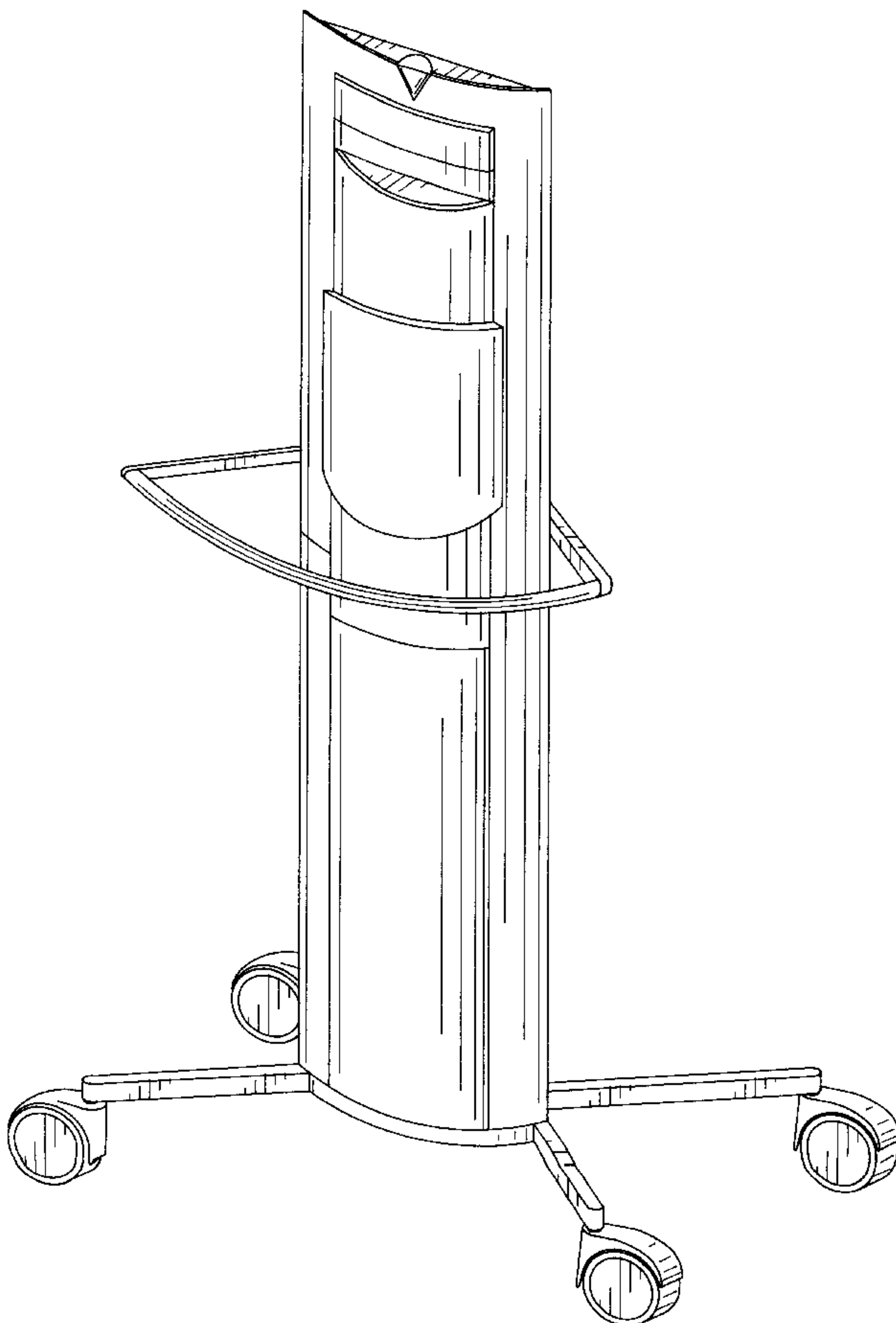
[56] References Cited

U.S. PATENT DOCUMENTS

D. 248,488	7/1978	Ashcraft et al.	D24/169
D. 258,909	4/1981	Bergo et al.	D24/169
D. 274,751	7/1984	Brown et al.	D24/169
D. 282,578	2/1986	Humphreys et al.	D24/169
D. 346,027	4/1994	Kobayashi	D24/180
D. 367,534	2/1996	DiPerna et al.	D24/169
4,585,436	4/1986	Davis et al.	D24/169 X
4,976,851	12/1990	Tanokura et al.	210/86
5,391,142	2/1995	Sites et al.	604/4

FIG. 1 is a front view of the blood processor of the present
invention;
FIG. 2 is a side view of the blood processor of the present
invention;
FIG. 3 is an top view of the blood processor of the present
invention; and,
FIG. 4 is a perspective view of the blood processor of the
present invention.
The bottom and rear views of the blood processor of the
present invention are plain and unornamented.
The opposite side view to FIG. 2 of the blood processor is
identical to that shown.

1 Claim, 4 Drawing Sheets



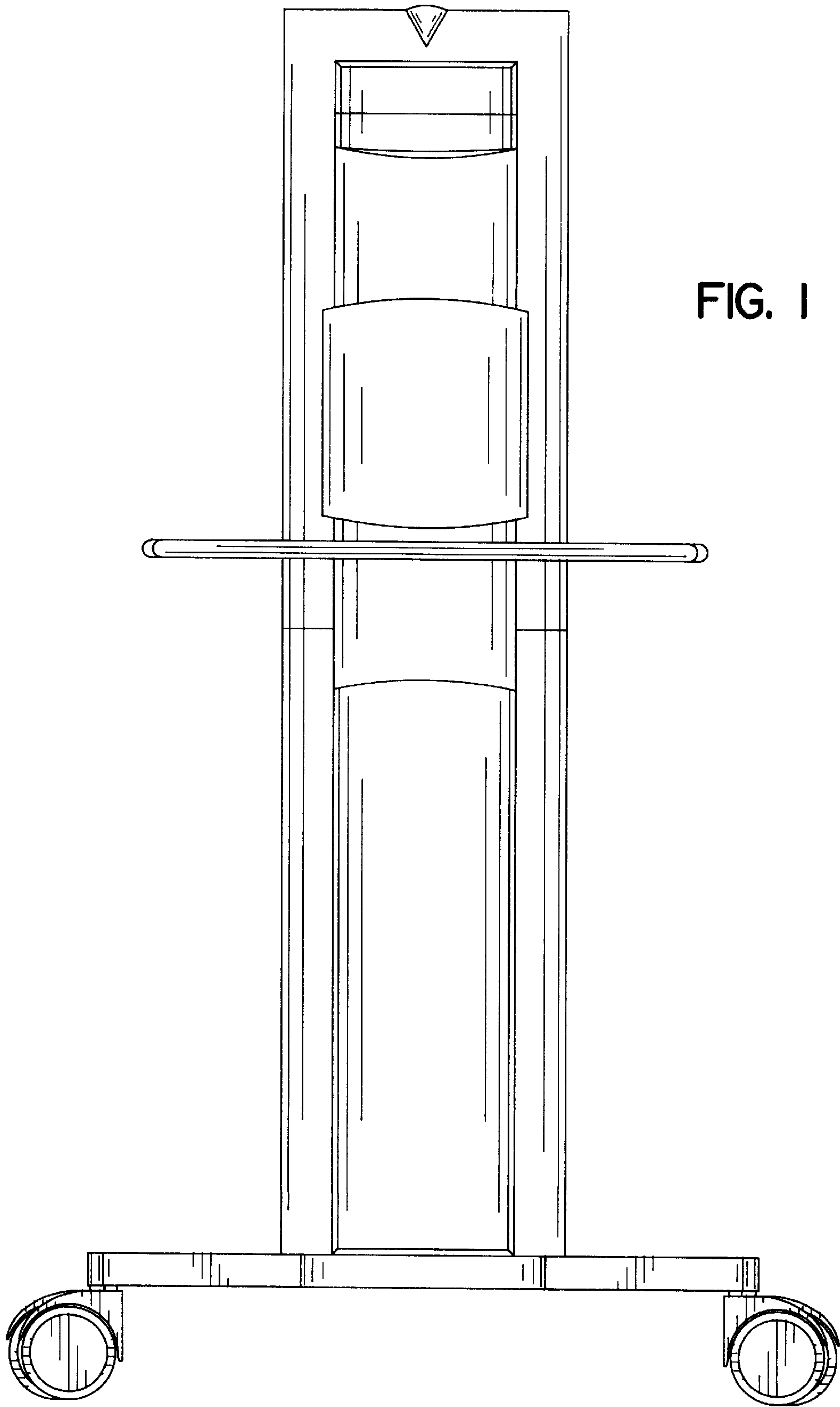


FIG. 1

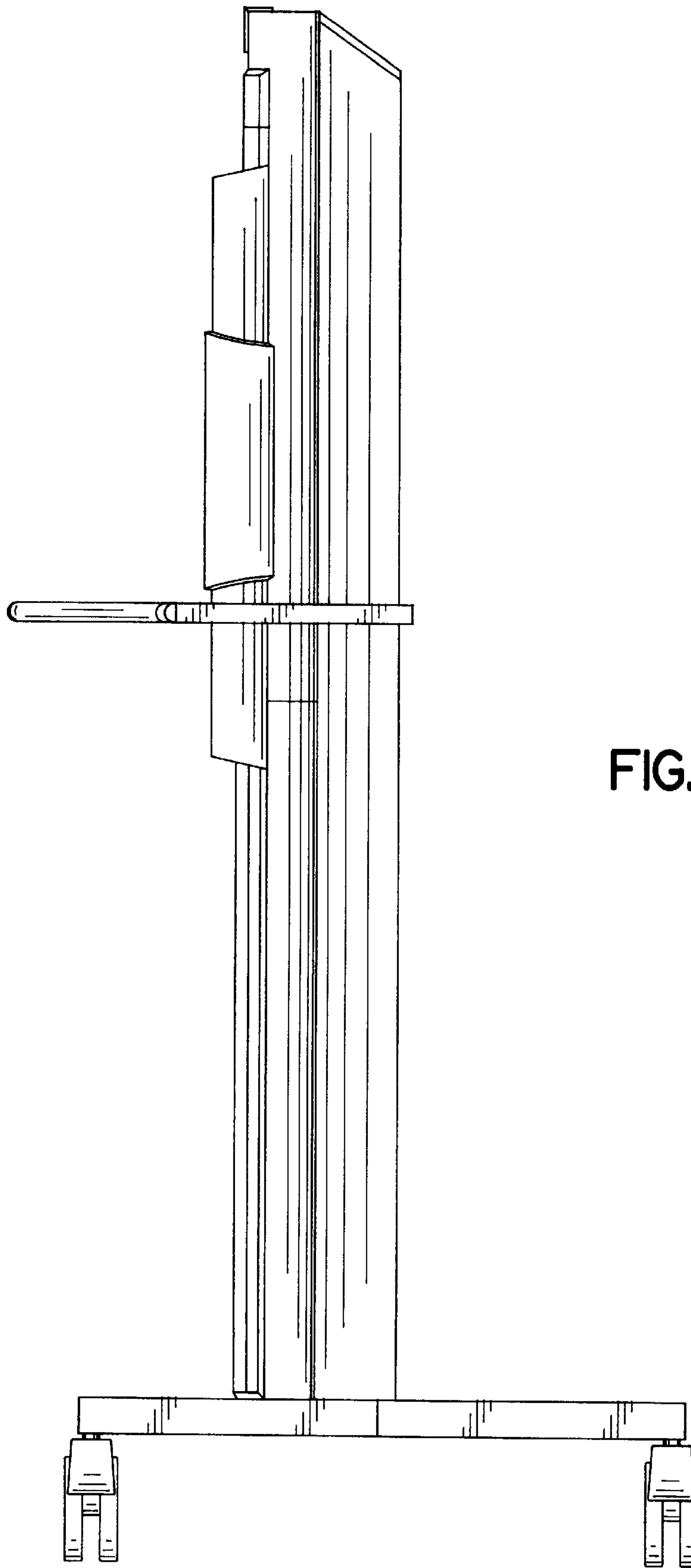


FIG. 2

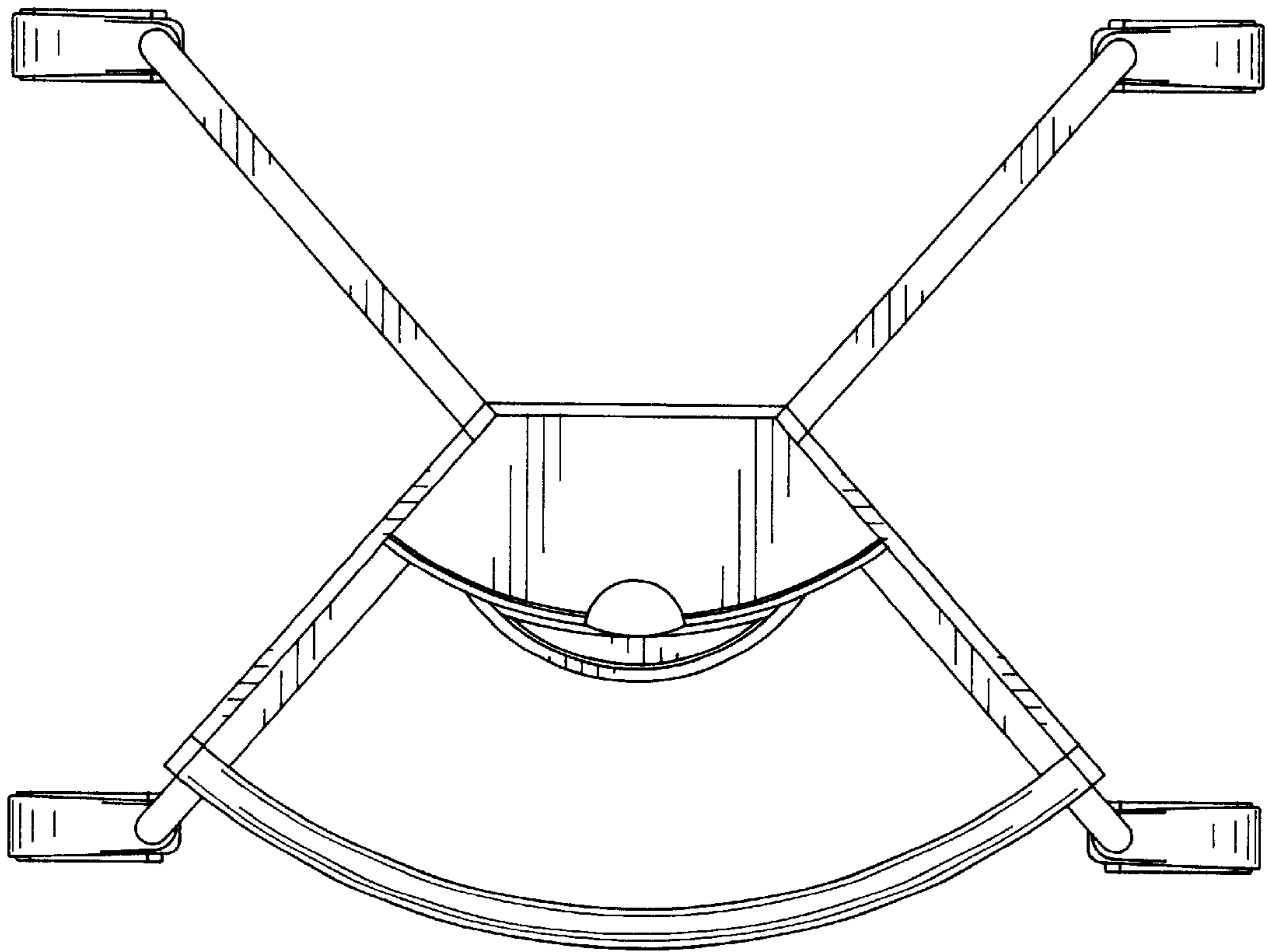


FIG. 3

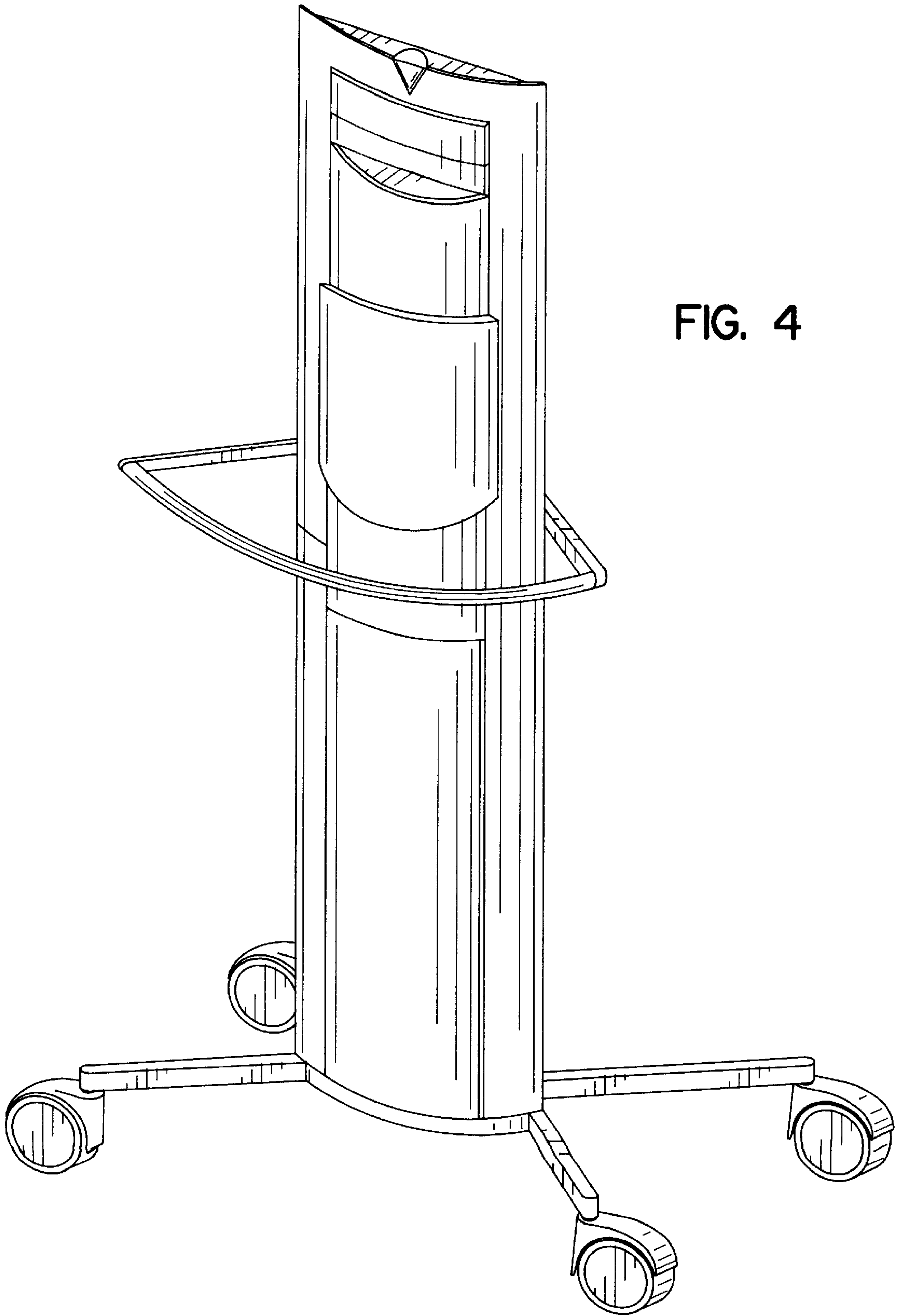


FIG. 4