



US00D420443S

United States Patent [19]
Morifuji

[11] **Patent Number: Des. 420,443**
[45] **Date of Patent: ** Feb. 8, 2000**

[54] **BREAST PUMP**

[75] Inventor: **Yasuo Morifuji**, Ikeda, Japan
[73] Assignee: **JEX Company Limited**, Osaka, Japan
[**] Term: **14 Years**

[21] Appl. No.: **29/051,841**
[22] Filed: **Feb. 8, 1996**

[51] **LOC (7) Cl.** **24-04**
[52] **U.S. Cl.** **D24/109**
[58] **Field of Search** D24/109; 604/73,
604/74, 75

[56] **References Cited**

U.S. PATENT DOCUMENTS

D. 299,537	1/1989	Morifuji	D24/109
D. 307,478	4/1990	Morifuji	D24/109
D. 326,319	5/1992	Chambers	D24/109
D. 326,516	5/1992	Chambers	D24/109
D. 345,209	3/1994	Shade et al.	D24/109
4,886,494	12/1989	Morifuji	604/74
5,009,638	4/1991	Riedweg et al.	604/74

FOREIGN PATENT DOCUMENTS

2155792 10/1985 United Kingdom 604/74

Primary Examiner—Eric Watterson
Attorney, Agent, or Firm—Nikaido Marmelstein Murray & Oram, LLP.

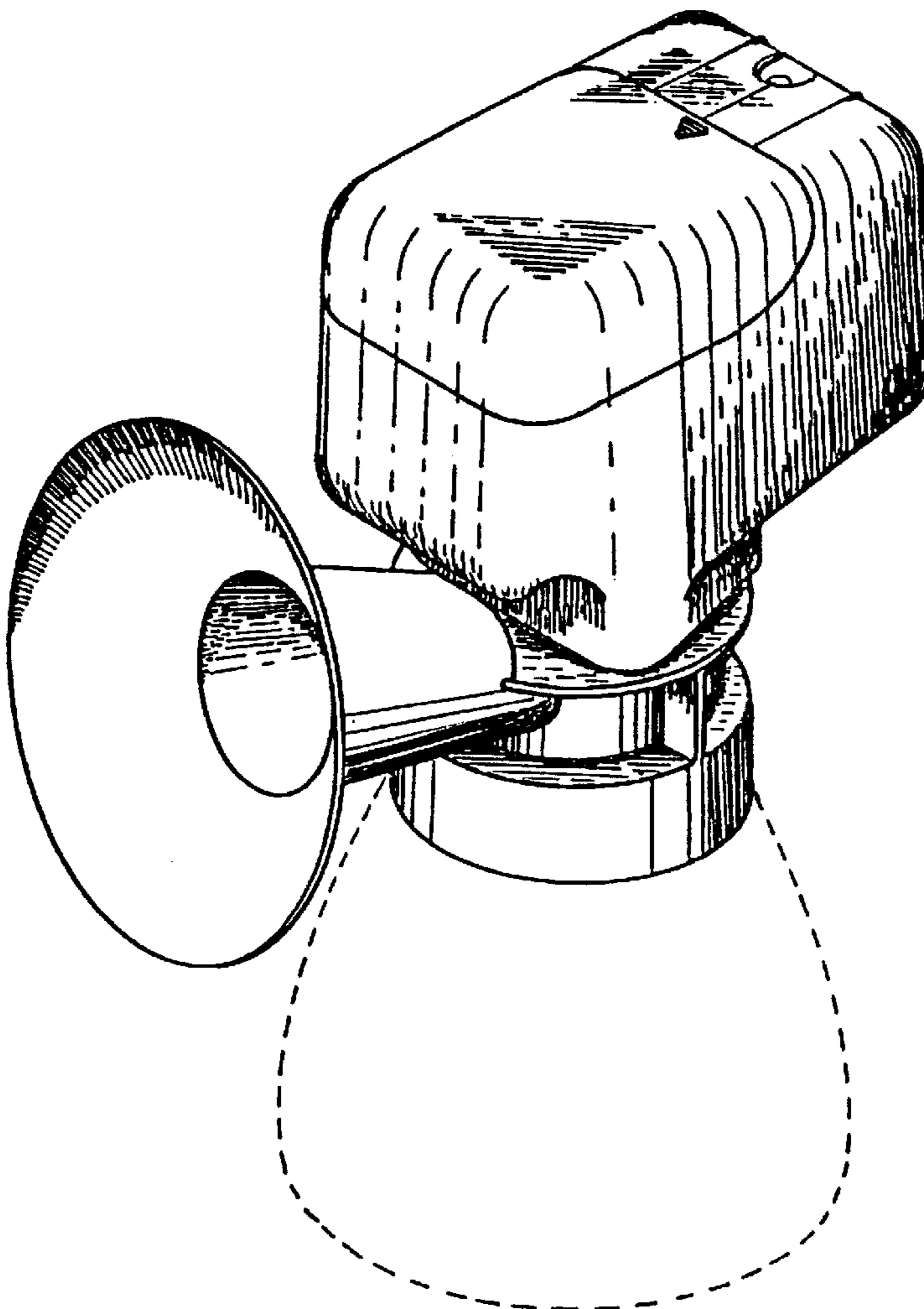
[57] **CLAIM**

The ornamental design for a breast pump, as shown and described.

DESCRIPTION

FIG. 1 is a perspective view showing my new design;
FIG. 2 is a top plan view thereof;
FIG. 3 is a right side view, the left side being a mirror image thereof;
FIG. 4 is a front view thereof;
FIG. 5 is a left side view thereof;
FIG. 6 is a bottom view thereof; and,
FIG. 7 is a perspective view thereof, the broken line showing of the bottle is for illustrative purposes only and forms no part of the claimed design.

1 Claim, 3 Drawing Sheets



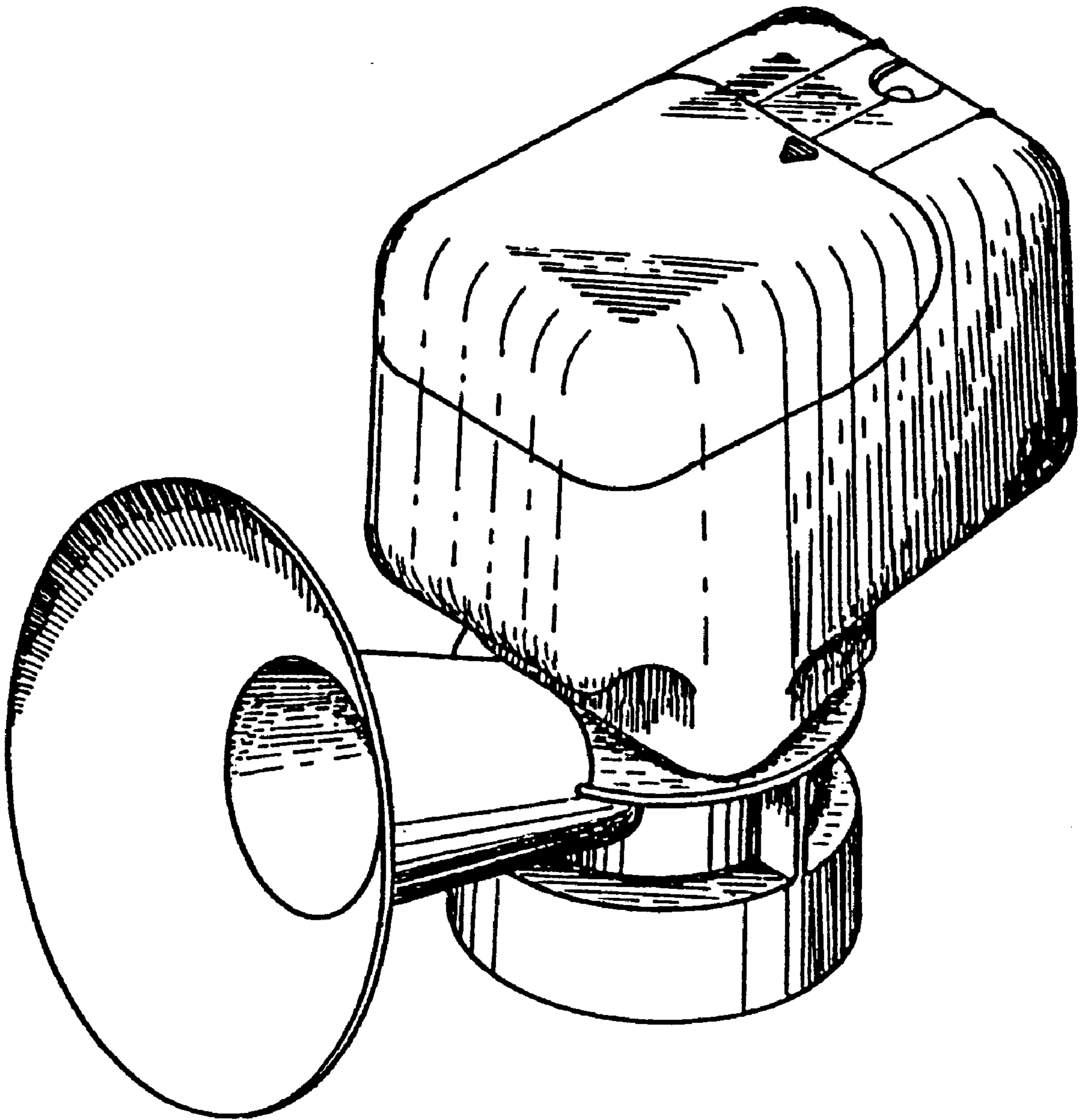


FIG. 1

PLAN VIEW

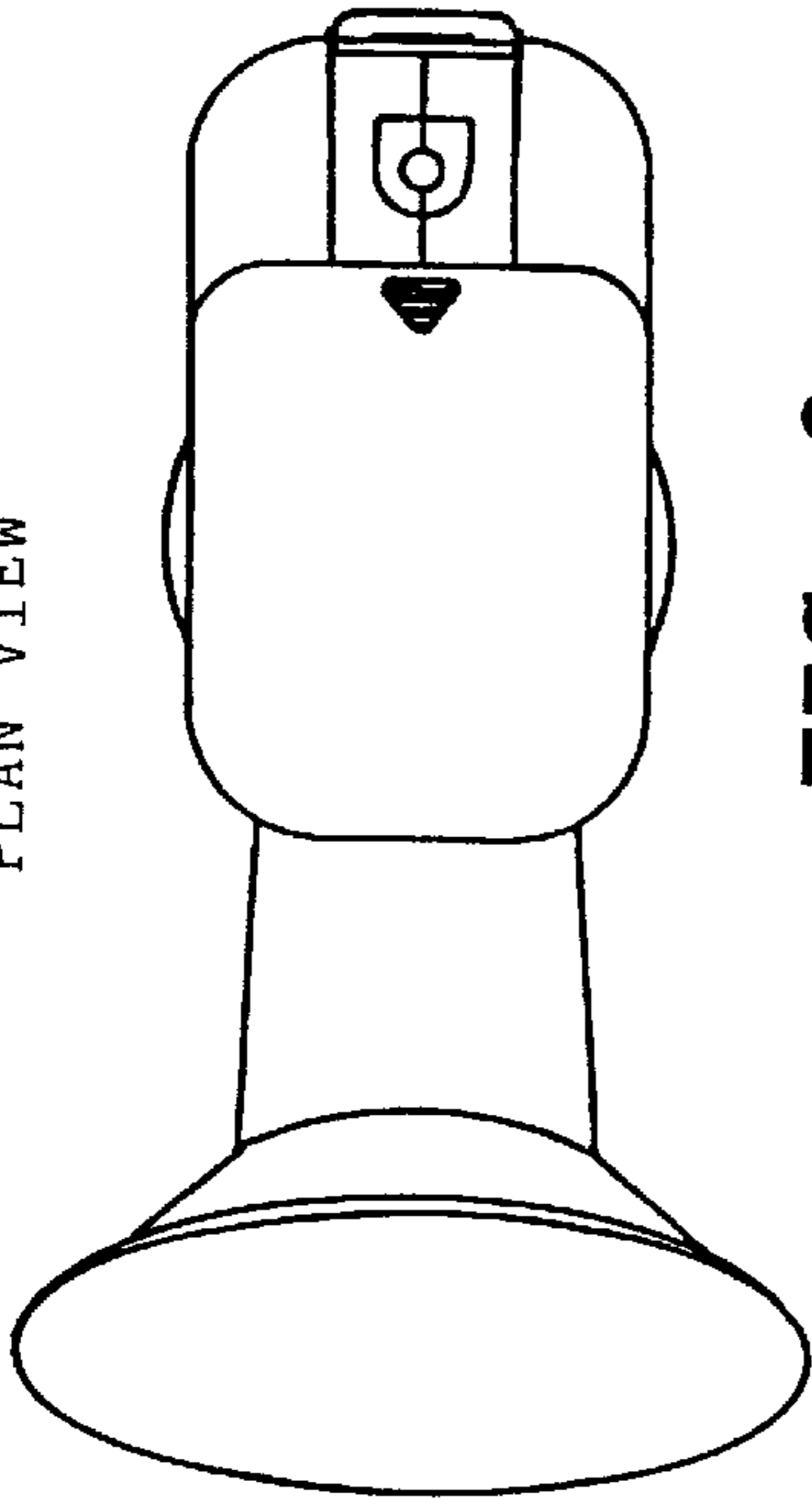


FIG. 2

BOTTOM VIEW

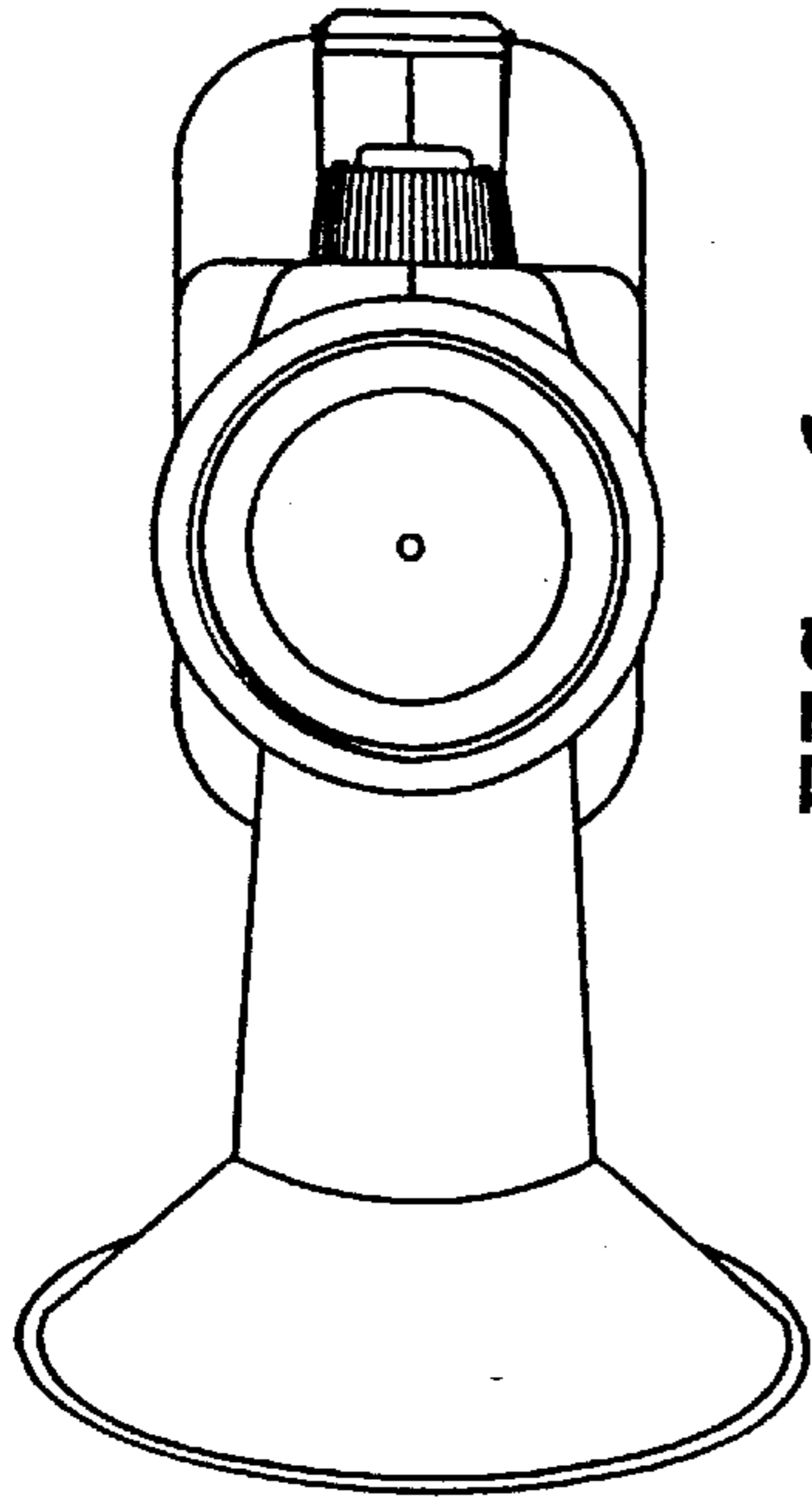


FIG. 6

RIGHT SIDE VIEW

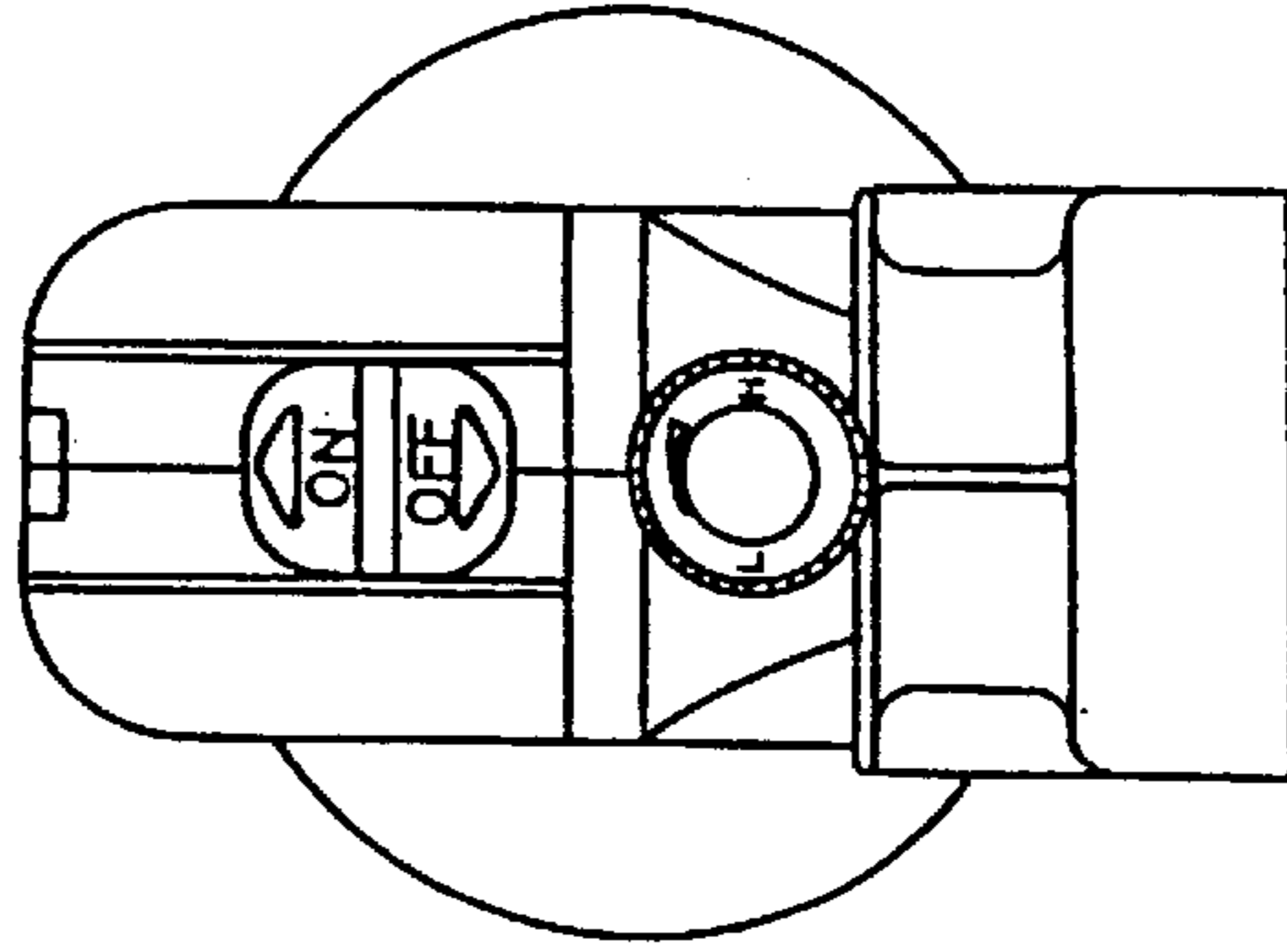


FIG. 3

FRONT VIEW

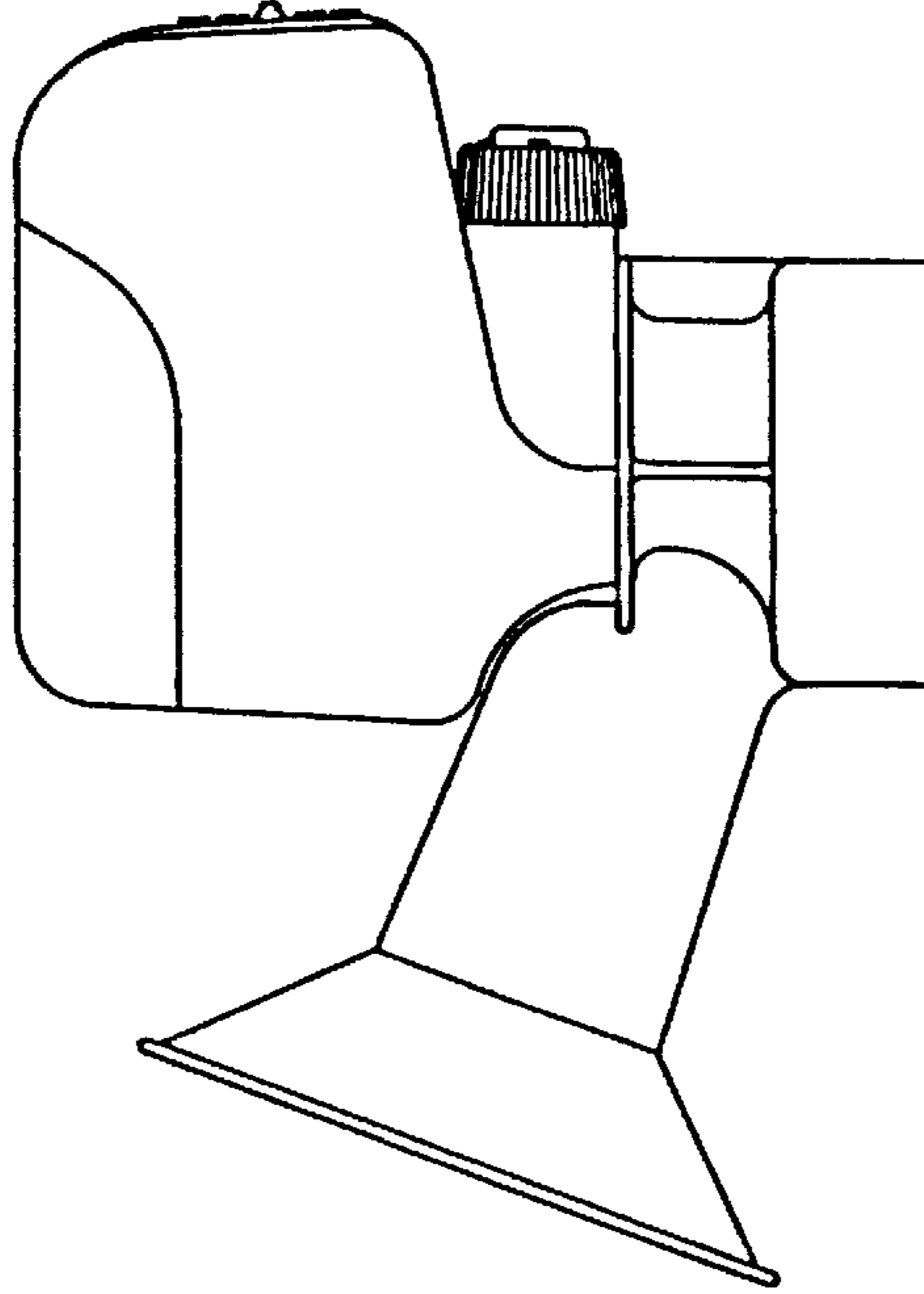


FIG. 4

LEFT SIDE VIEW

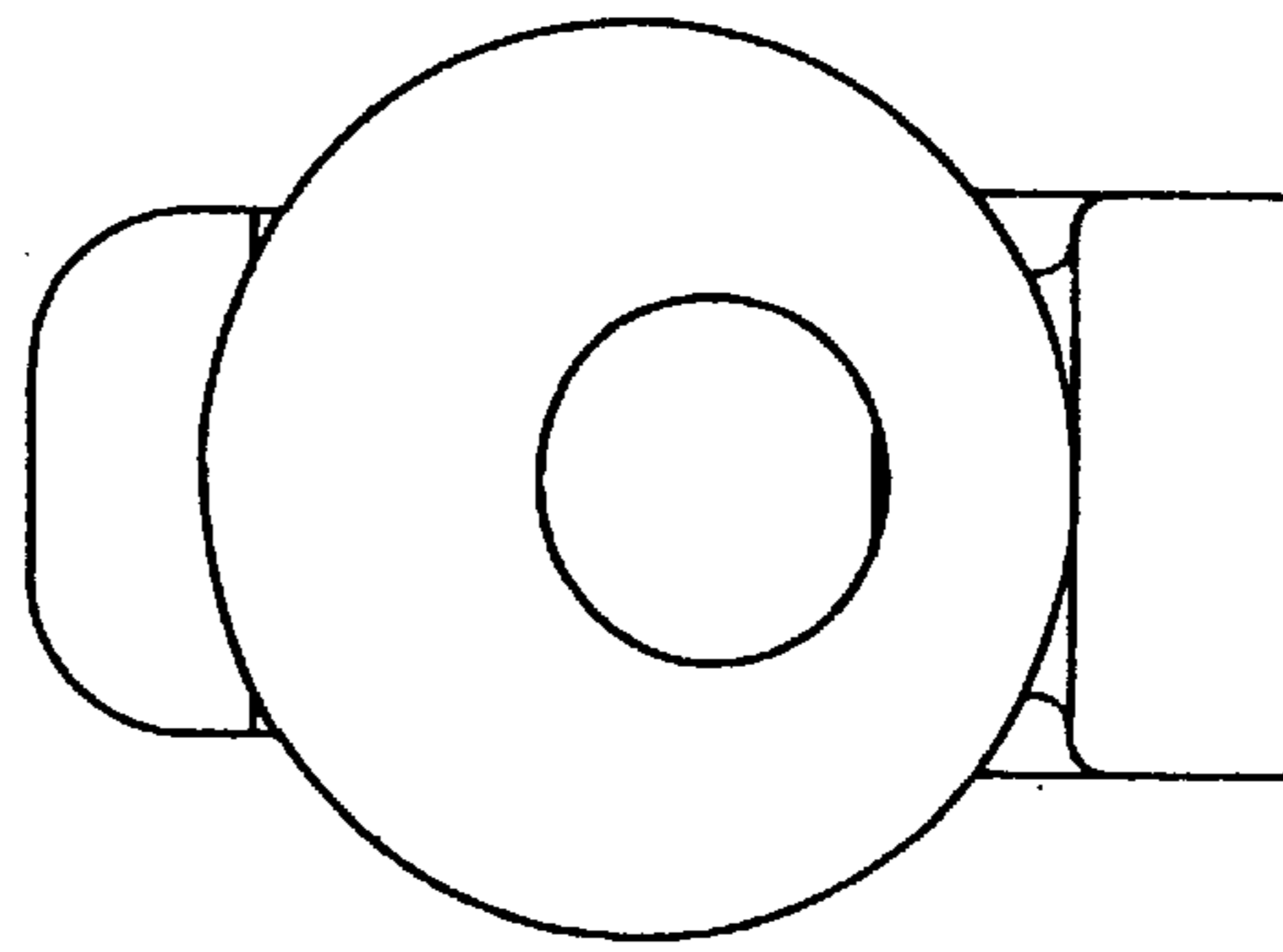


FIG. 5

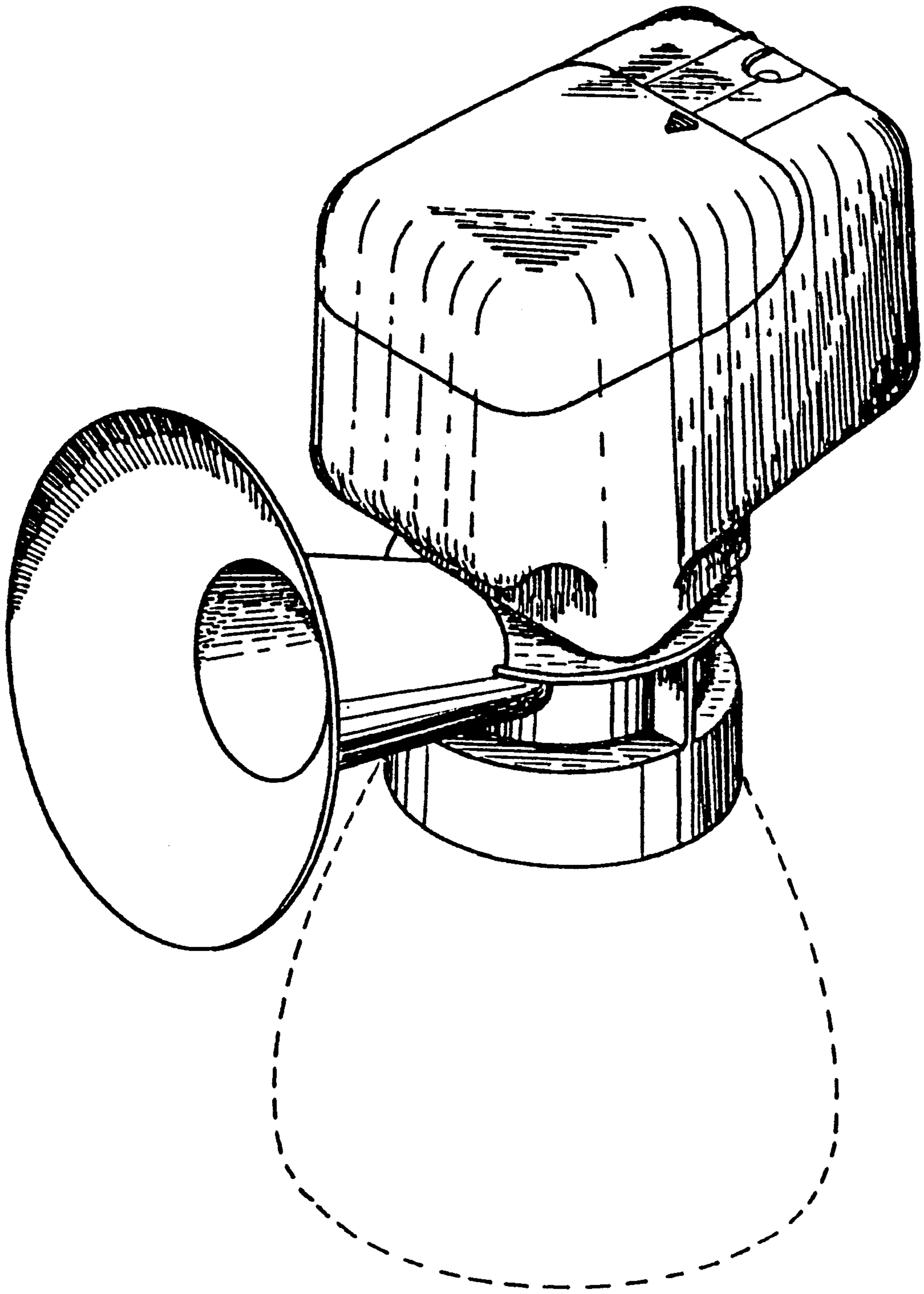


FIG. 7