



US00D420436S

United States Patent [19] Easley

[11] Patent Number: Des. 420,436

[45] Date of Patent: ** Feb. 8, 2000

[54] **COMBINED TOILET SEAT AND COVER WITH KNOBS**

[75] Inventor: **Charles Houston Easley**, 308 Plus Park Blvd. Apt. L-15, Nashville, Tenn. 37217

[73] Assignee: **Charles Houston Easley**, Nashville, Tenn.

[**] Term: **14 Years**

[21] Appl. No.: **29/095,869**

[22] Filed: **Oct. 30, 1998**

[51] **LOC (7) Cl.** **23-02**

[52] **U.S. Cl.** **D23/311**

[58] **Field of Search** D23/309-312; 4/217, 237, 234, 236, 242.1-253.1

[56] **References Cited**

U.S. PATENT DOCUMENTS

D. 98,113	1/1936	Groeniger	D23/311
D. 161,108	5/1950	Kandarian	D23/311
D. 198,491	6/1964	Macowski	D23/311
D. 278,846	5/1985	Harrison et al.	D23/311
D. 352,102	11/1994	Barnette et al.	D23/311
D. 352,773	11/1994	Haleschuk	D23/311
D. 356,366	3/1995	Denapoli	D23/311
D. 370,529	6/1996	Nestor	D23/311

Primary Examiner—Eric Watterson

[57] **CLAIM**

The ornamental design for a combined toilet seat and cover with knobs, as shown and described.

DESCRIPTION

FIG. 1 is a front perspective view of a combined toilet seat

and cover with knobs, showing my new design in an open position.

FIG. 2 is a top rear perspective view thereof, showing the claimed design in a closed position.

FIG. 3 is a top plan view of FIG. 2.

FIG. 4 is a left side elevational view of FIG. 2, the right side being a mirror image of the left side shown.

FIG. 5 is a bottom plan view of FIG. 2.

FIG. 6 is a rear elevational view of FIG. 2.

FIG. 7 is a front elevational view of FIG. 2.

FIG. 8 is a sectional view thereof taken along line 8—8 of FIG. 2.

FIG. 9 is a cross sectional view of line 9—9 in FIG. 2.

FIG. 10 is a front perspective view of a second embodiment, showing my new design in an open position.

FIG. 11 is a perspective view taken from the top and rear of FIG. 10, showing the cover in a closed position.

FIG. 12 is a top plan view of FIG. 11.

FIG. 13 is a left side elevational view of FIG. 11, the right side being a mirror image of the left side shown.

FIG. 14 is a bottom plan view of FIG. 11.

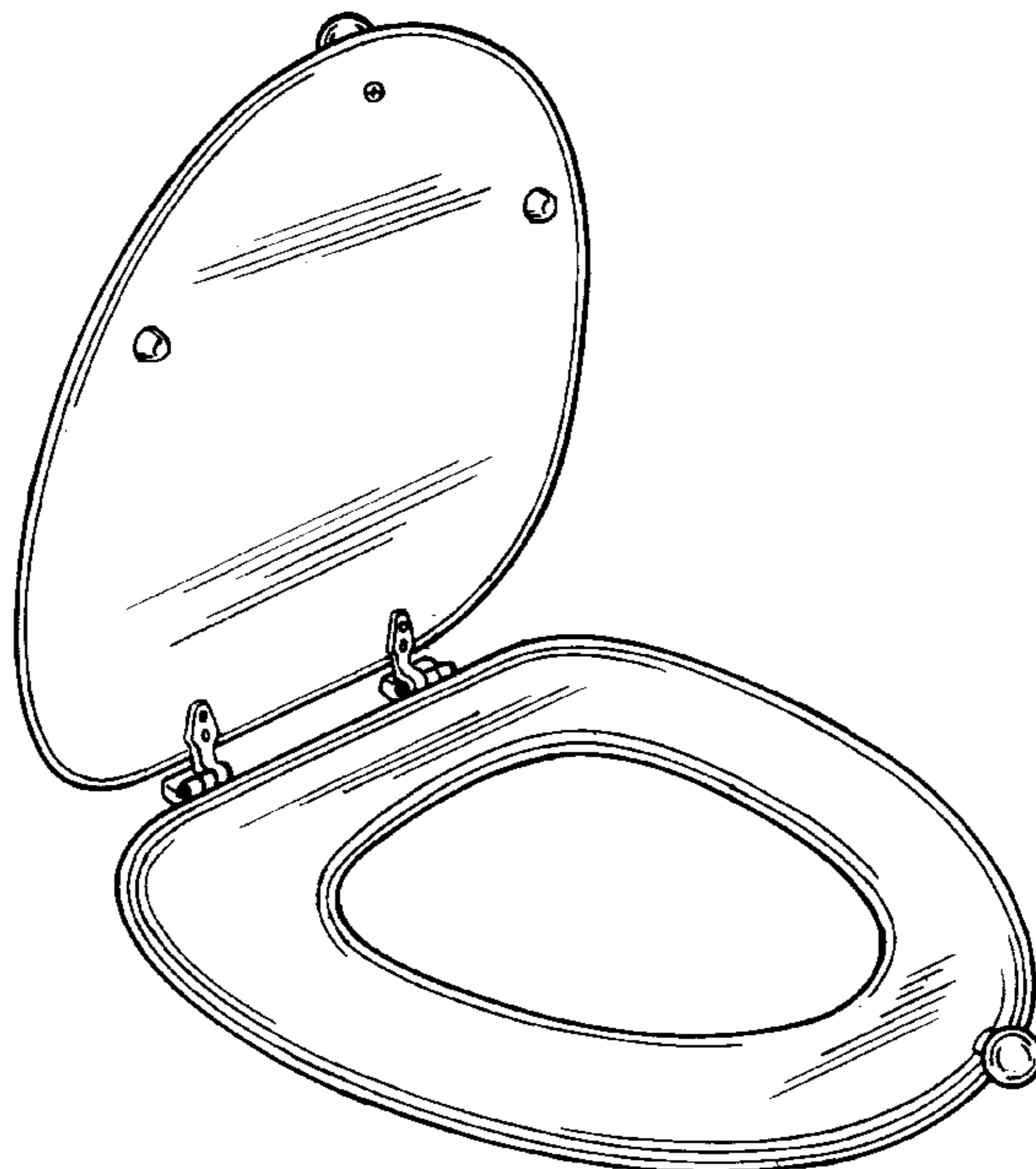
FIG. 15 is a rear elevational view of FIG. 11.

FIG. 16 is a front elevational view of FIG. 11.

FIG. 17 is a cross sectional view taken along line 17—17 of FIG. 11; and,

FIG. 18 is a cross sectional view taken along line 18—18 of FIG. 11.

1 Claim, 10 Drawing Sheets



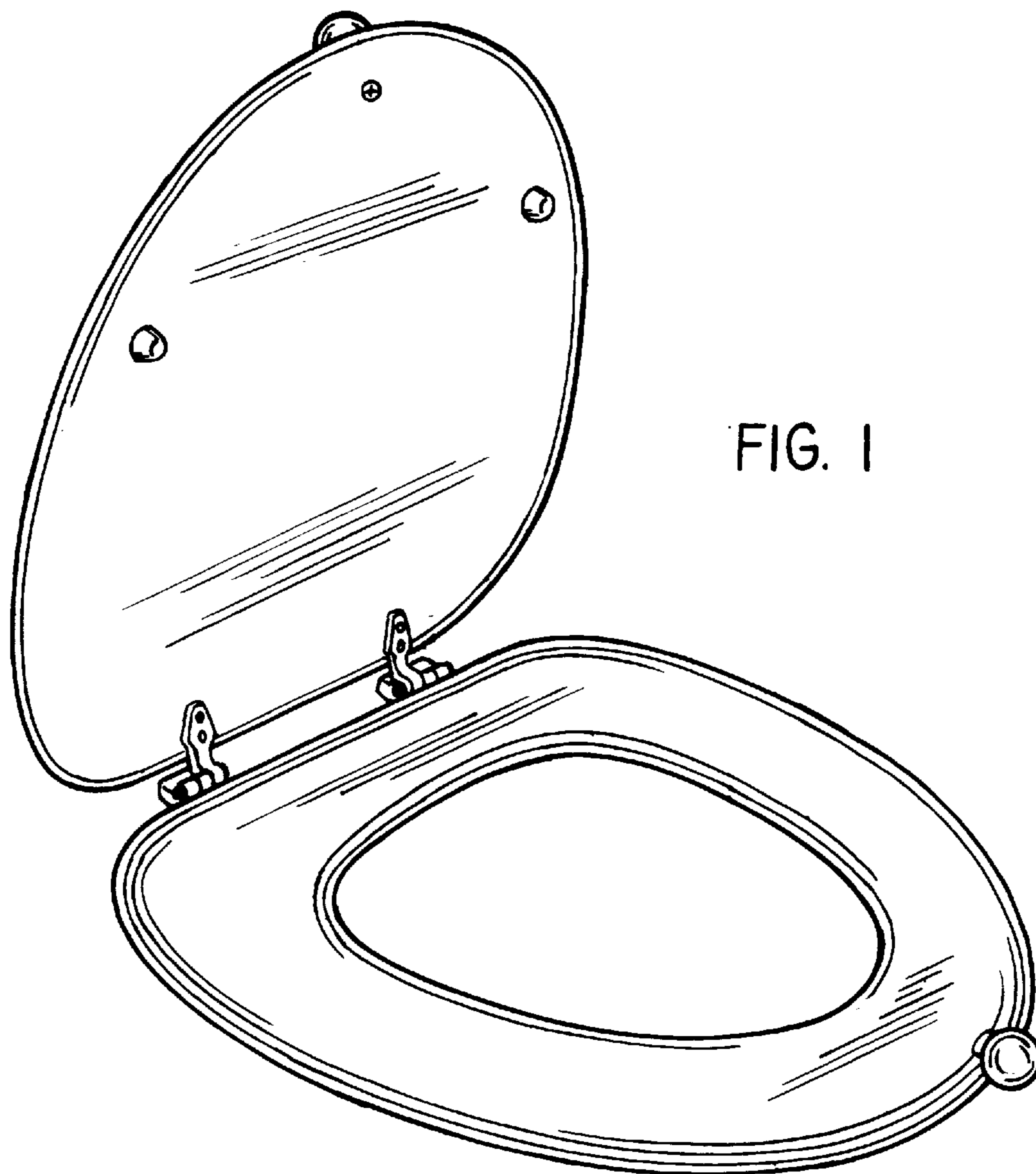


FIG. 1

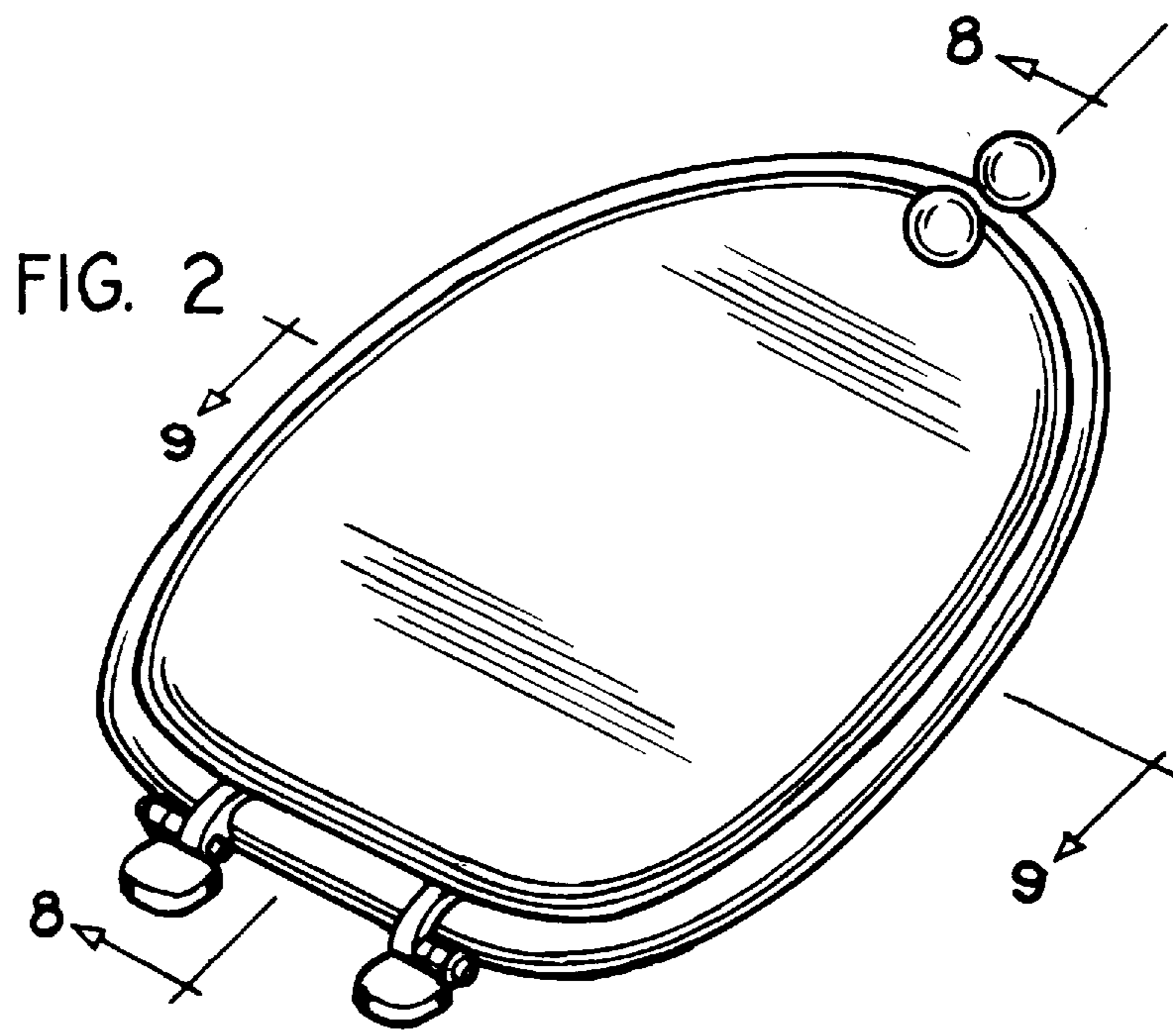


FIG. 2

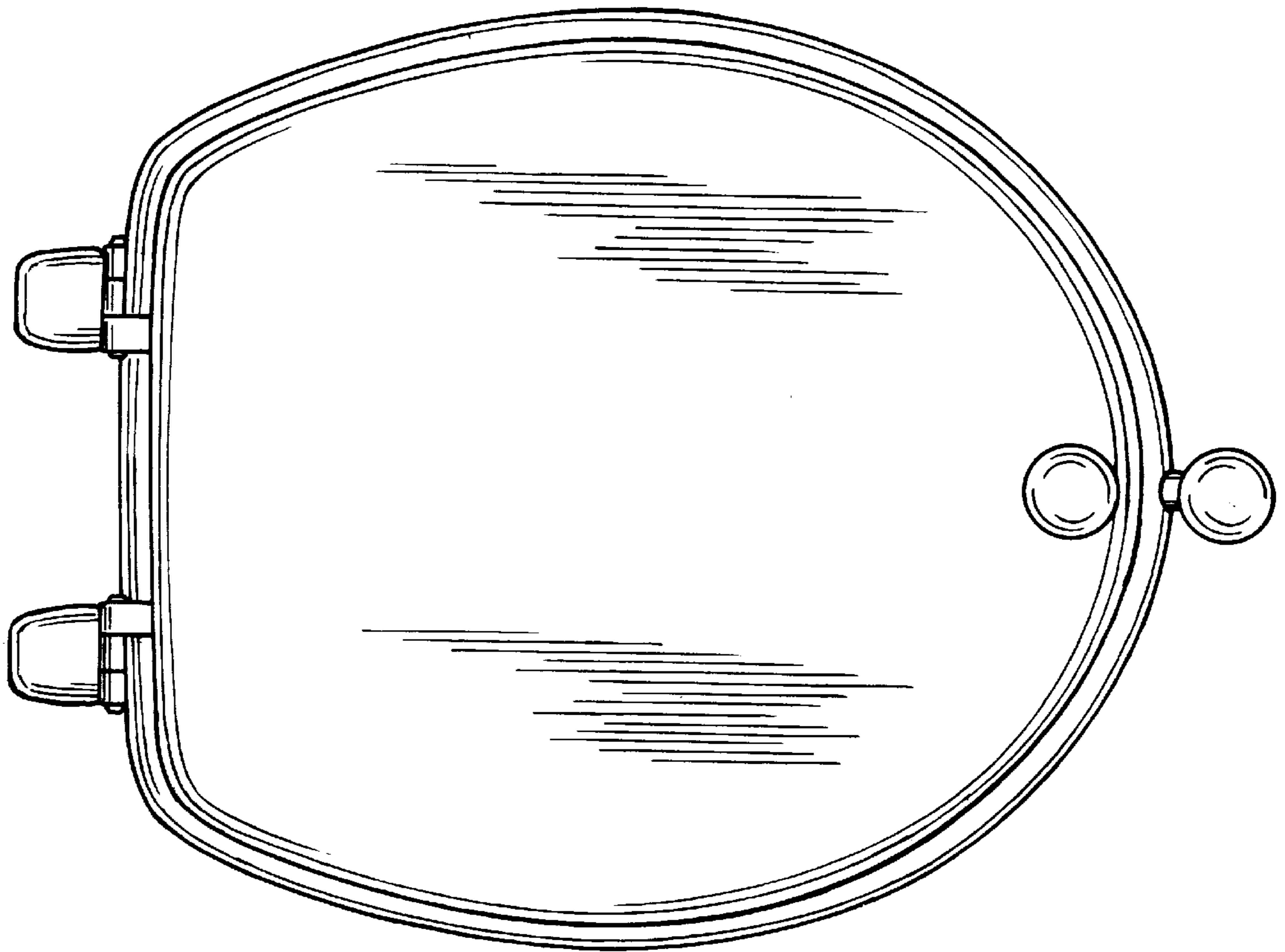


FIG. 3

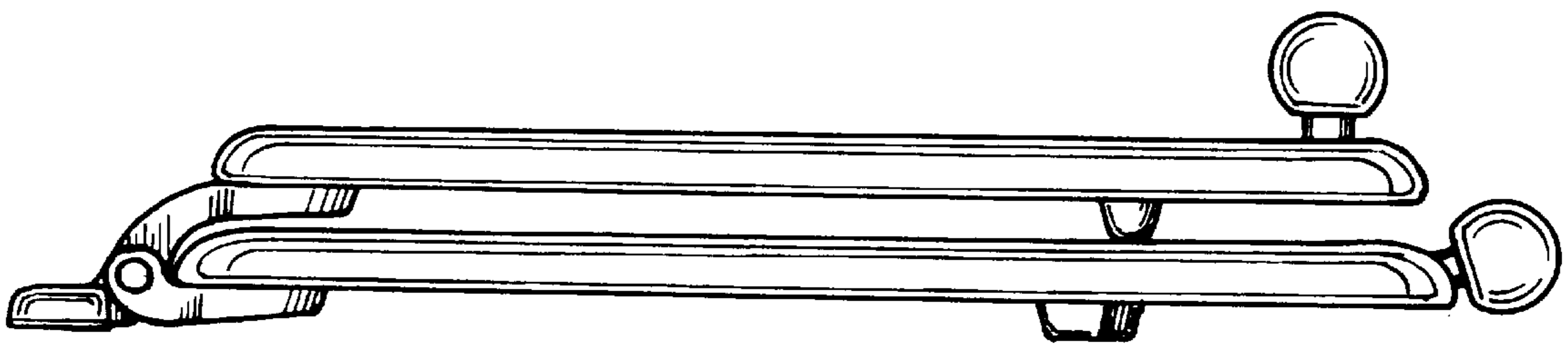


FIG. 4

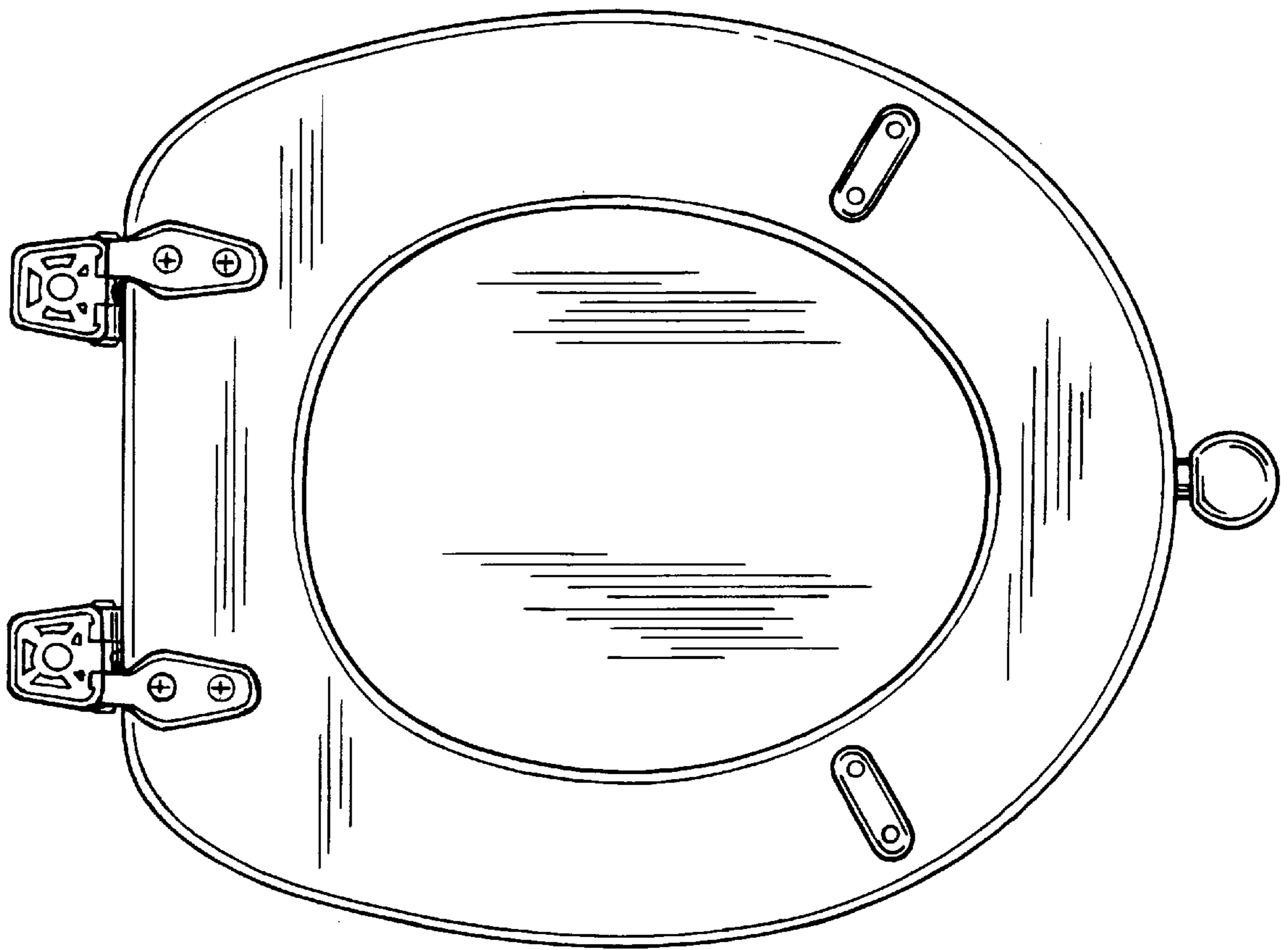


FIG. 5

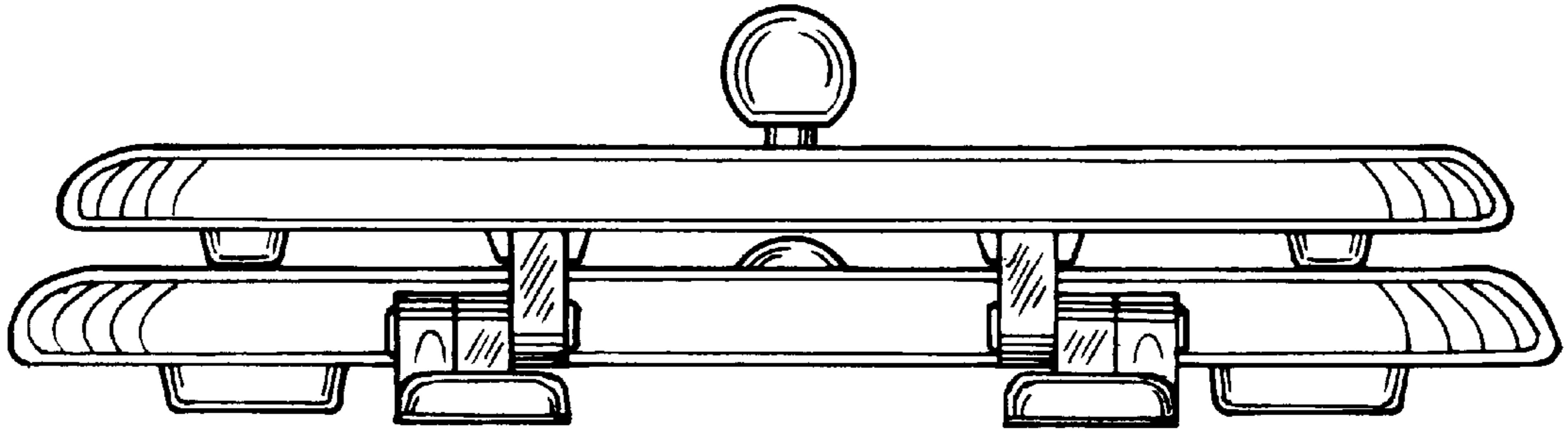


FIG. 6

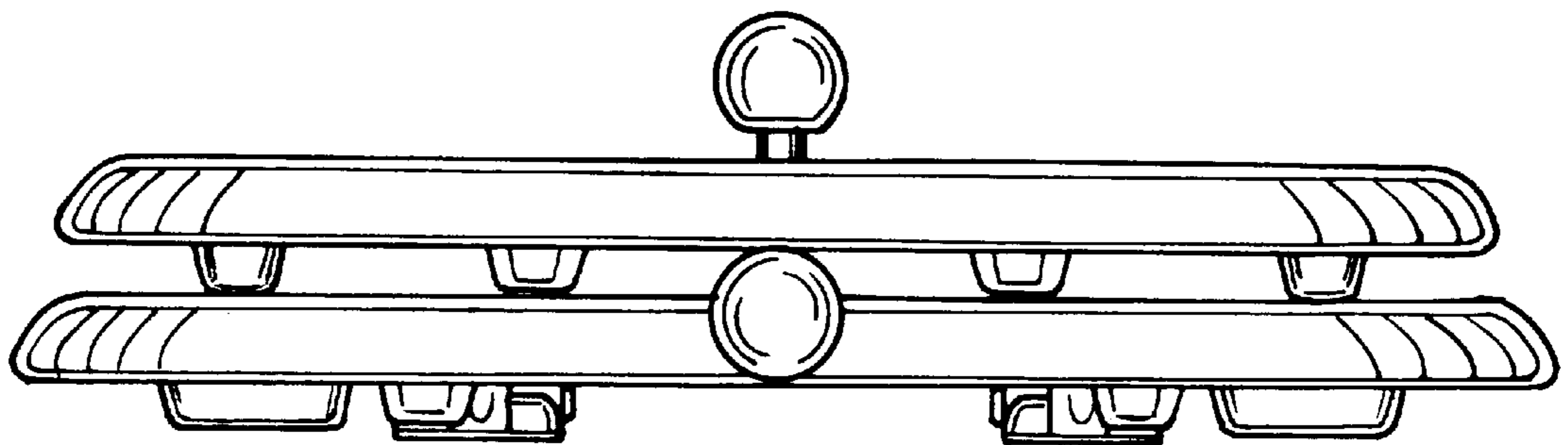


FIG. 7

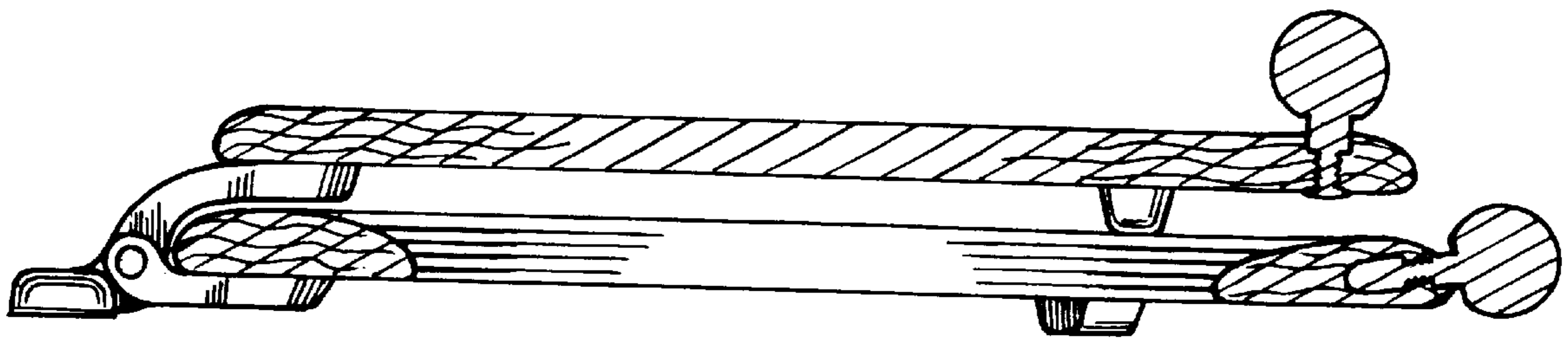


FIG. 8

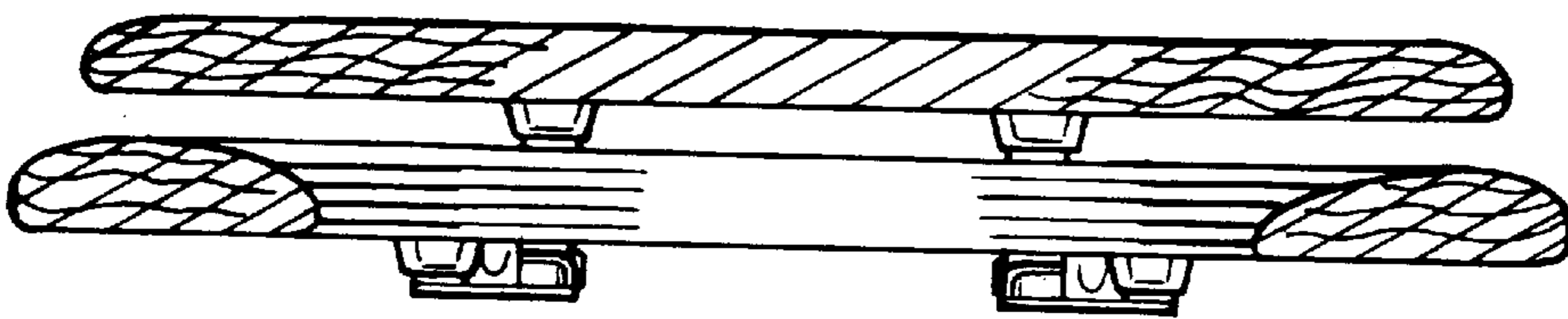


FIG. 9

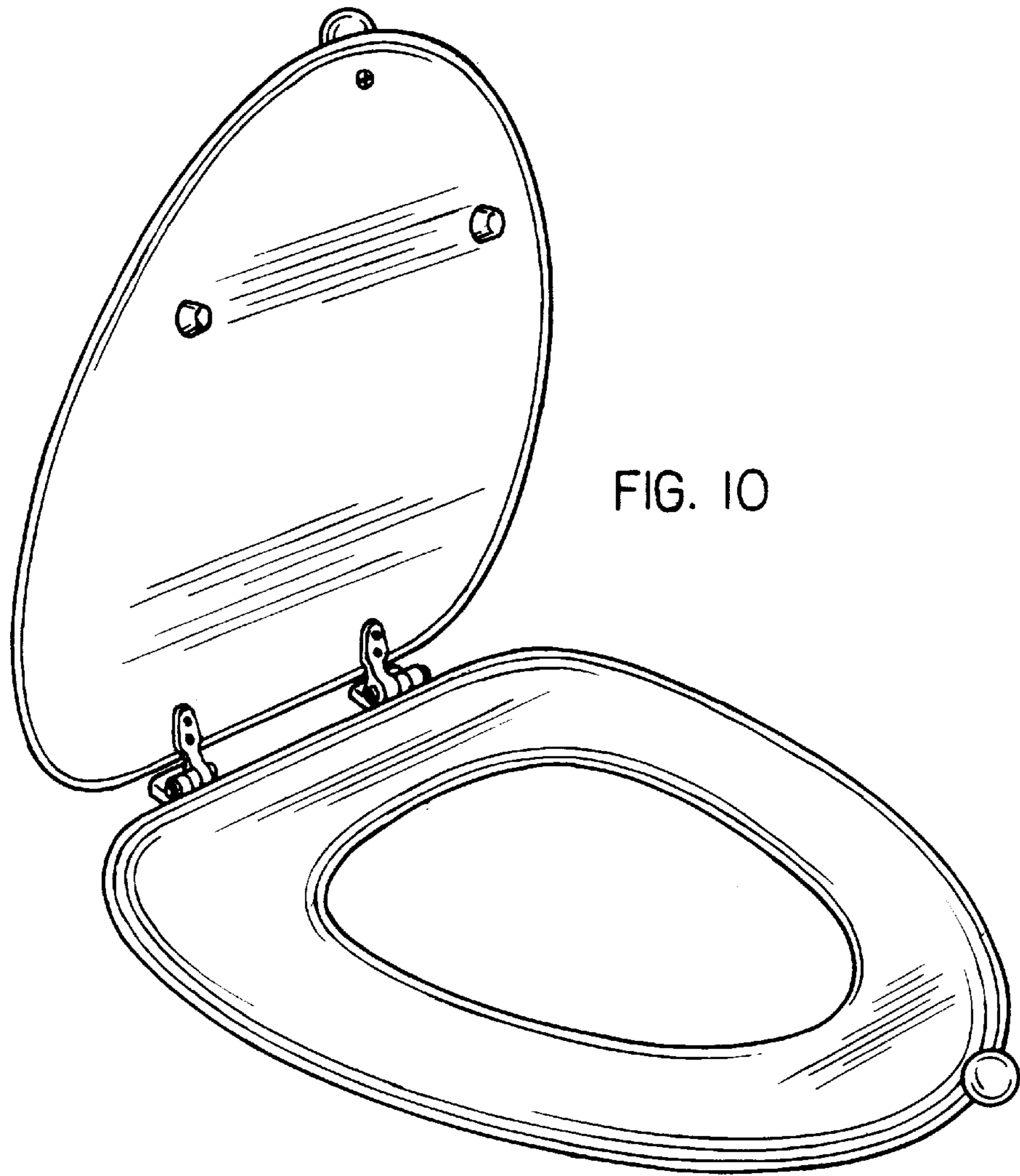


FIG. 10

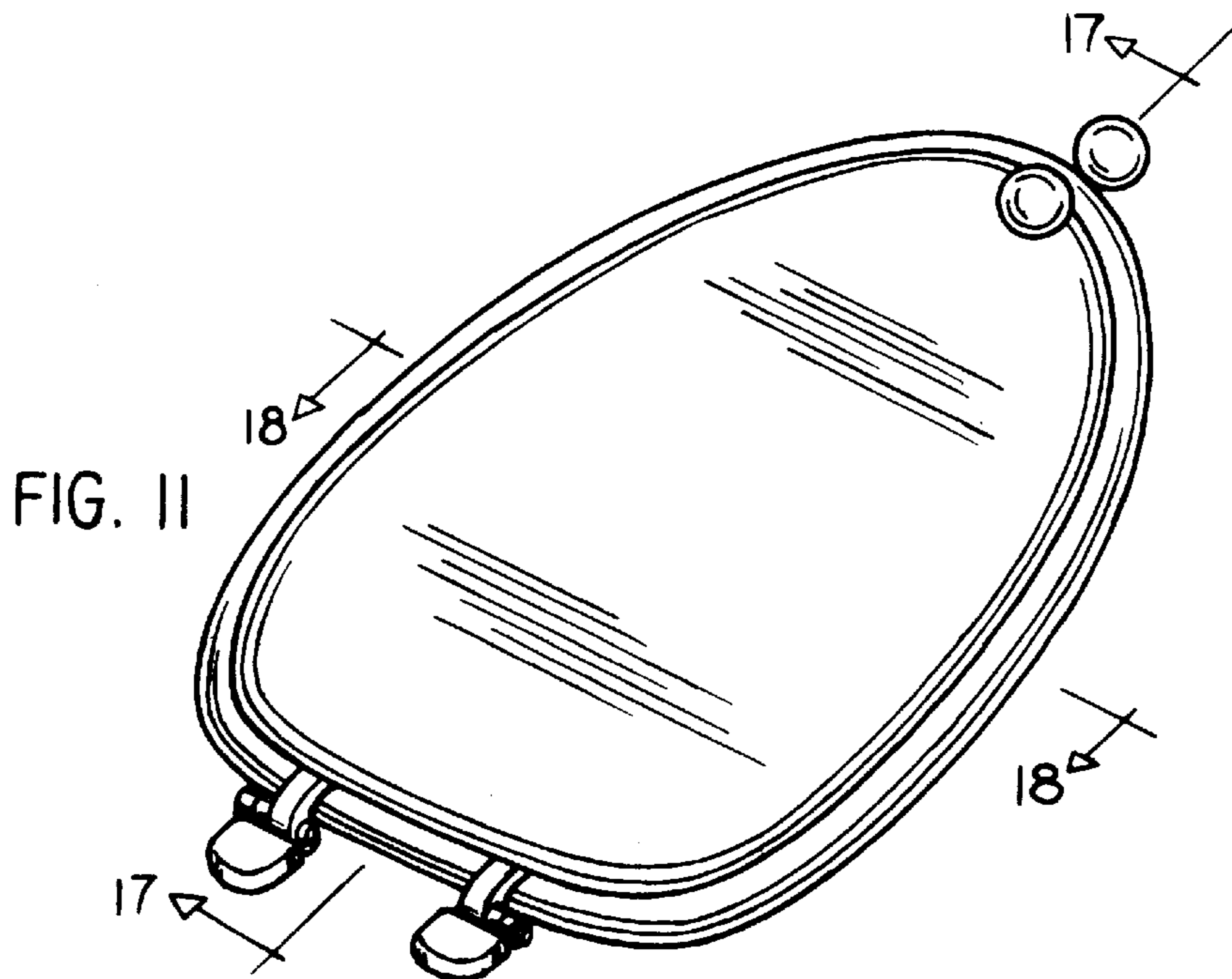


FIG. 11

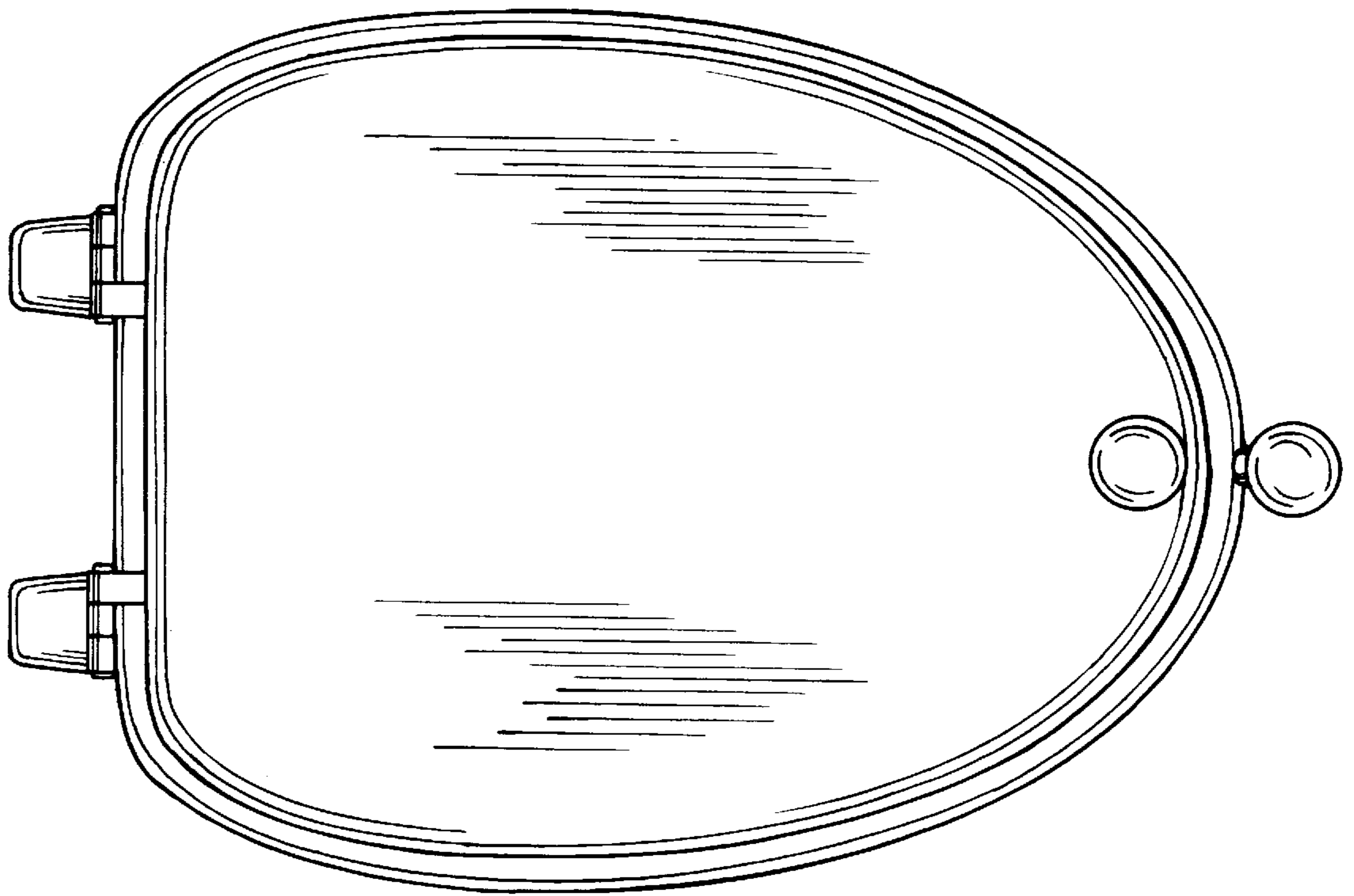


FIG. 12

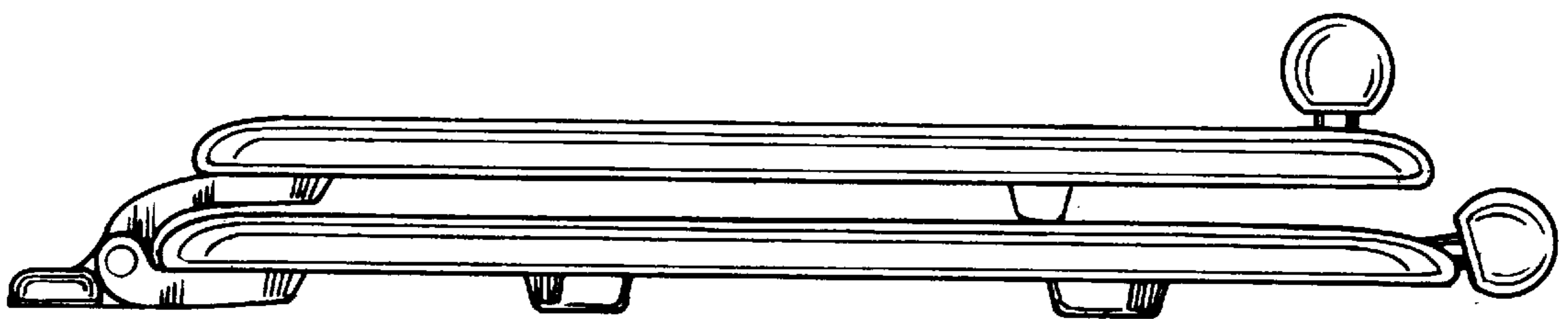


FIG. 13

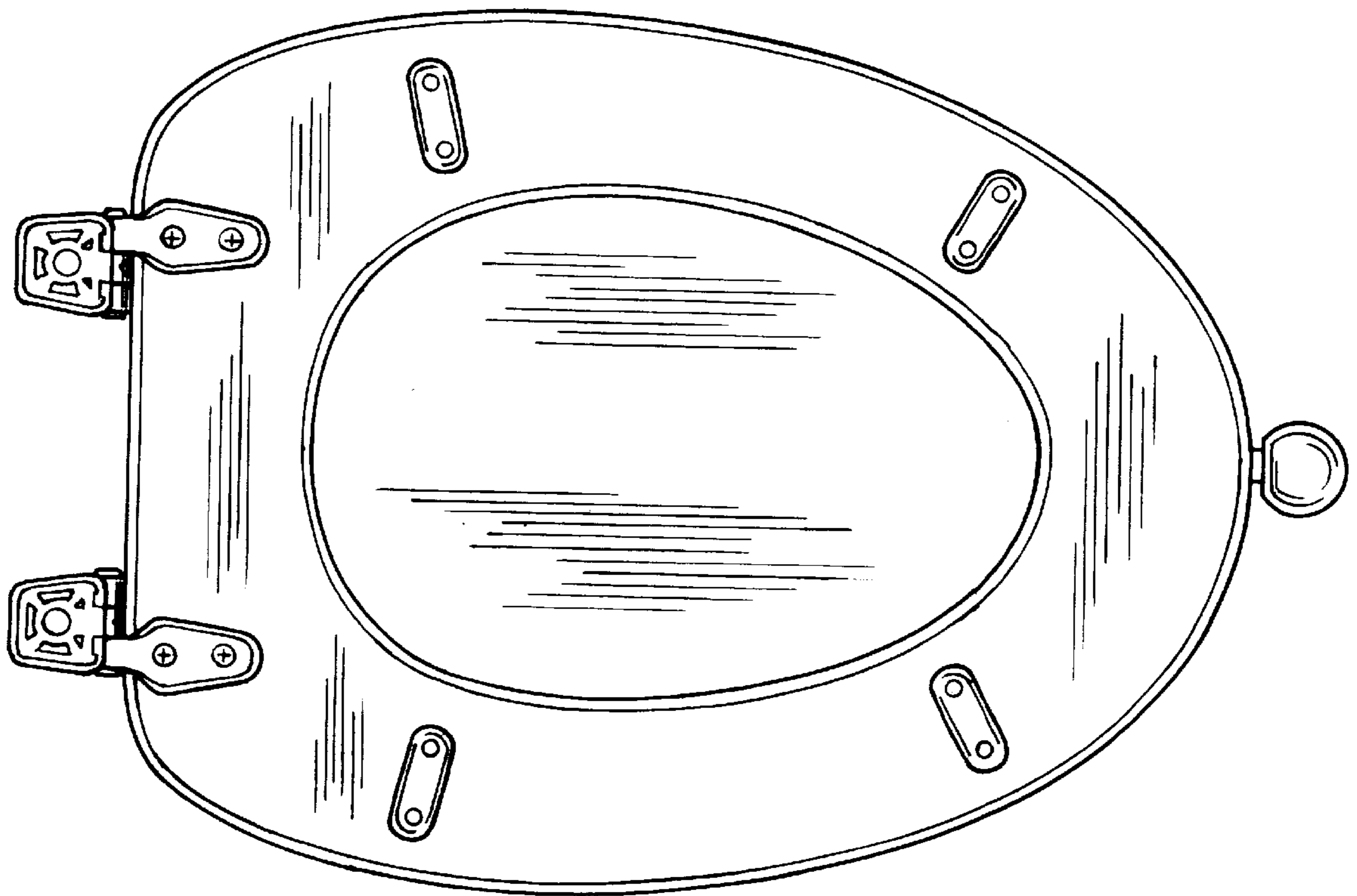


FIG. 14

FIG. 15

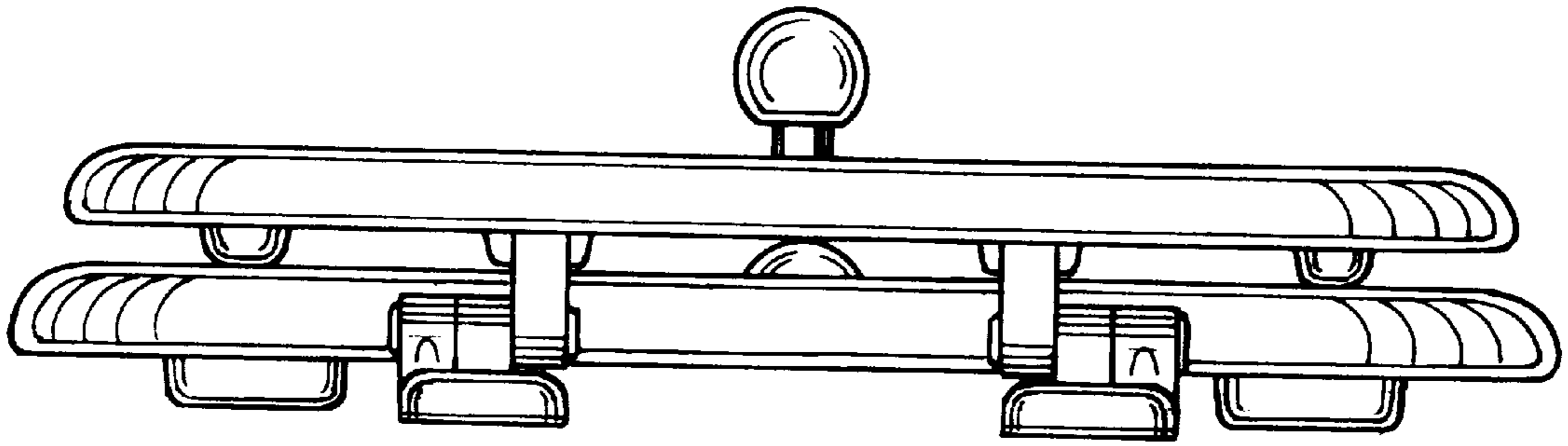
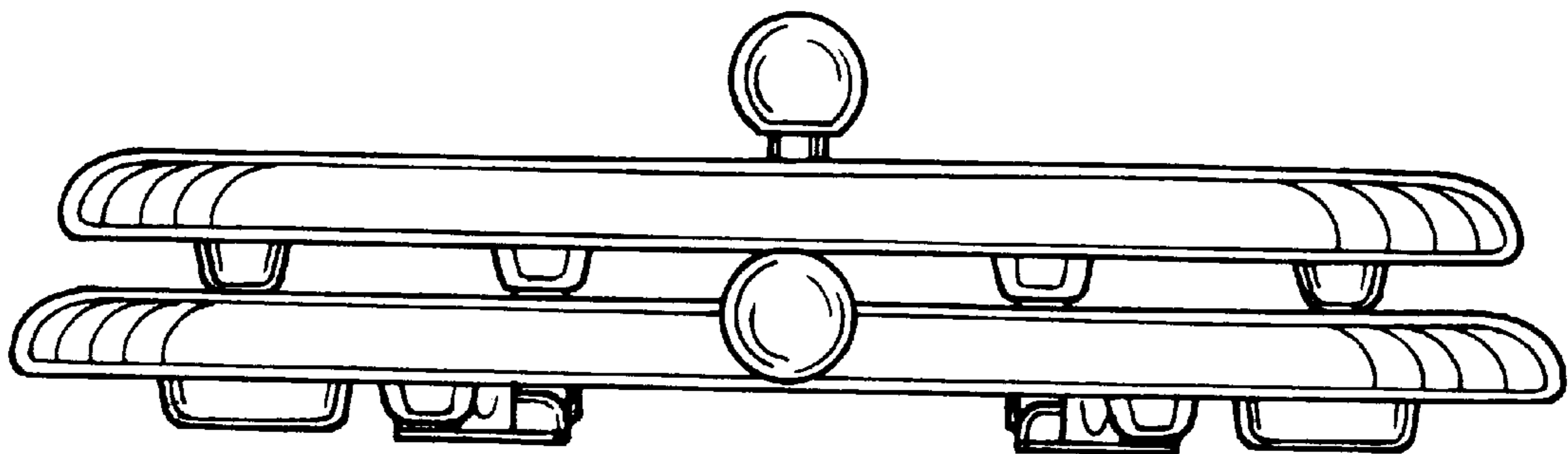


FIG. 16



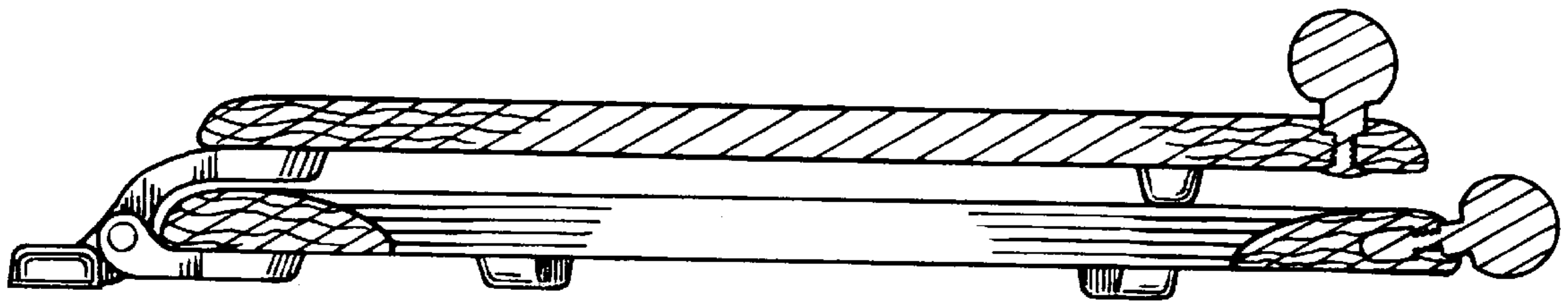


FIG. 17

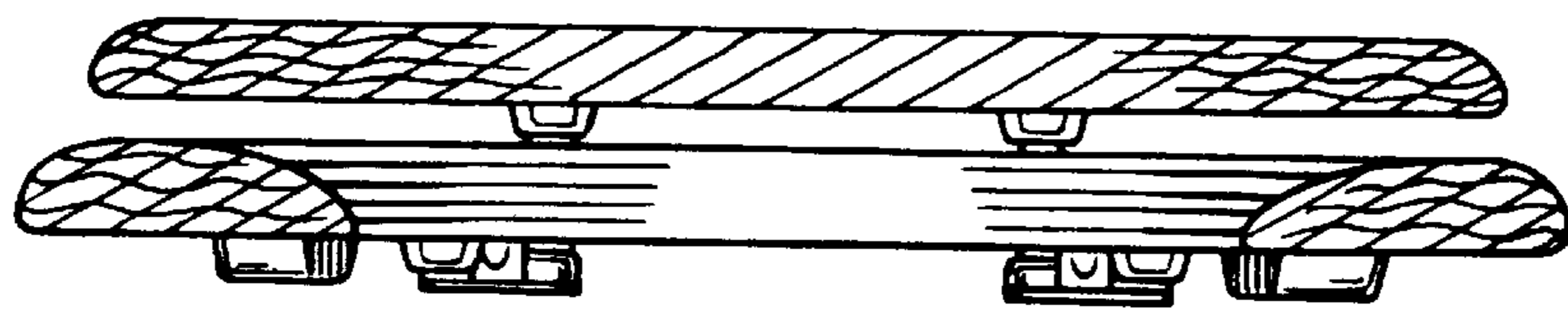


FIG. 18