



US00D420435S

United States Patent [19]
Pitsch

[11] **Patent Number: Des. 420,435**

[45] **Date of Patent: ** Feb. 8, 2000**

[54] **FAUCET ESCUTCHEON**

D. 374,709 10/1996 Doughty et al. .
D. 387,416 12/1997 Chen .

[75] Inventor: **Walter Pitsch**, Franklin Park, N.J.

Primary Examiner—Louis S. Zarfes
Assistant Examiner—Eric Watterson

[73] Assignee: **American Standard Inc.**, Piscataway, N.J.

[57] **CLAIM**

[**] Term: **14 Years**

The ornamental design for a faucet escutcheon, as shown and described.

[21] Appl. No.: **29/086,502**

DESCRIPTION

[22] Filed: **Apr. 14, 1998**

[51] **LOC (7) Cl.** **23-02**

FIG. 1 is a top, front, and left side perspective view of a faucet escutcheon showing my new design;
FIG. 2 is a front elevational view thereof;
FIG. 3 is rear elevational view thereof;
FIG. 4 is a top plan view thereof;
FIG. 5 is a bottom plan view thereof; and,
FIG. 6 is a left side elevational view, the opposite side being a mirror image thereof.

[52] **U.S. Cl.** **D23/303; D23/254**

[58] **Field of Search** D23/238-243,
D23/250-257; 4/675-678; 137/801

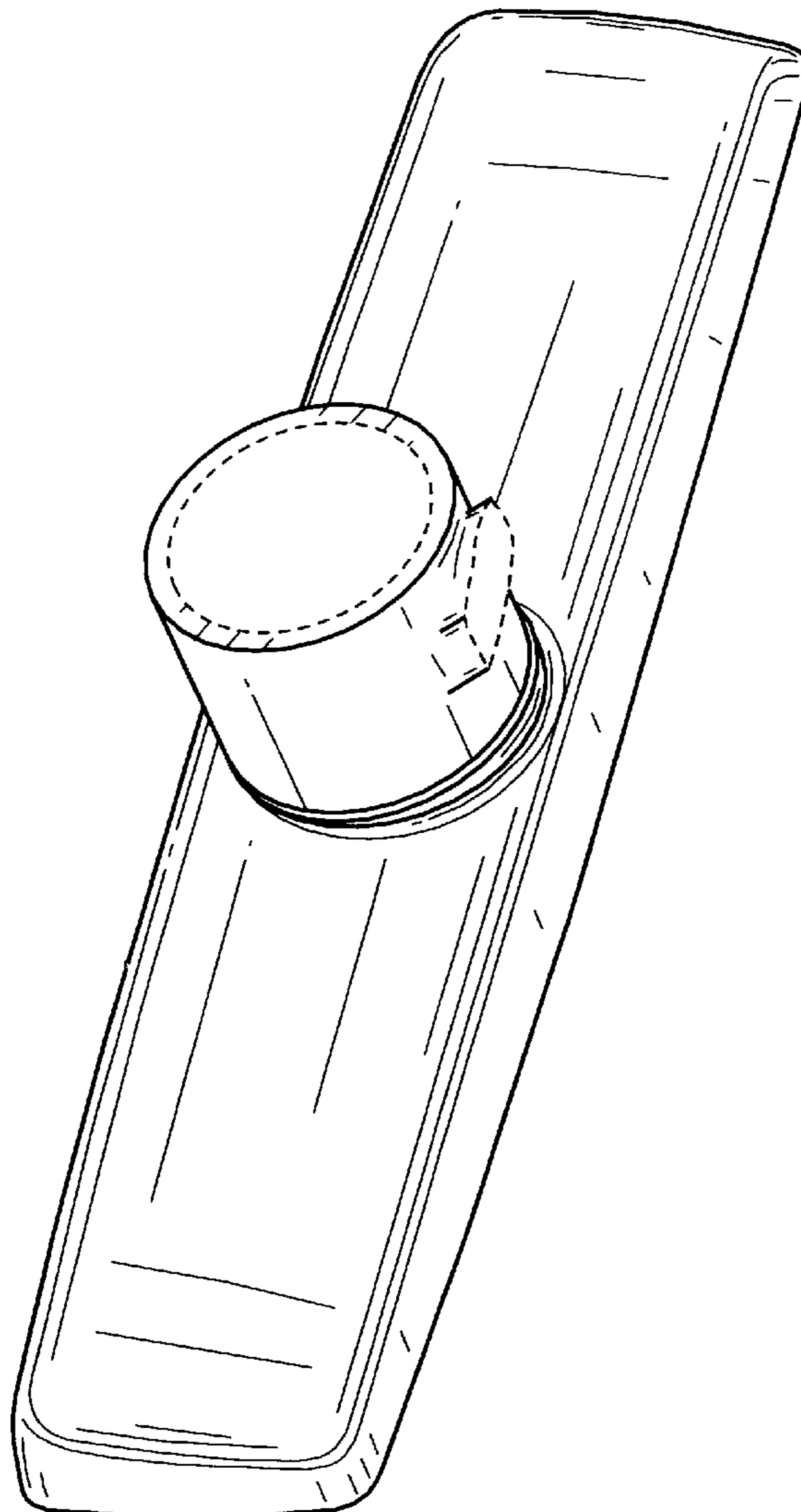
The broken line showing is for illustrative purposes only and forms no part of the claimed design.

[56] **References Cited**

U.S. PATENT DOCUMENTS

- D. 276,257 11/1984 Fabian .
- D. 284,983 8/1986 Yost .
- D. 360,016 7/1995 Hsieh .

1 Claim, 3 Drawing Sheets



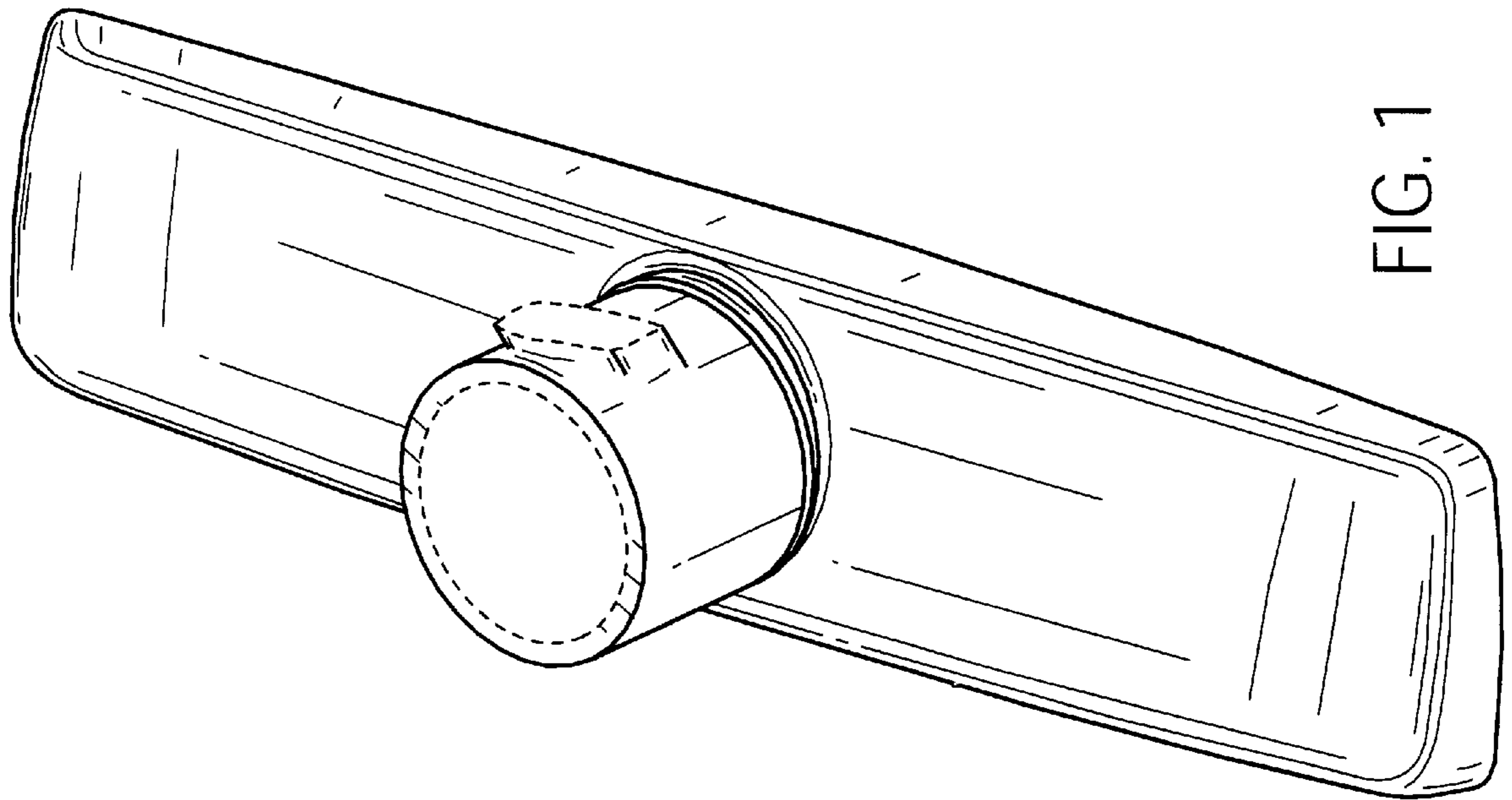


FIG. 1

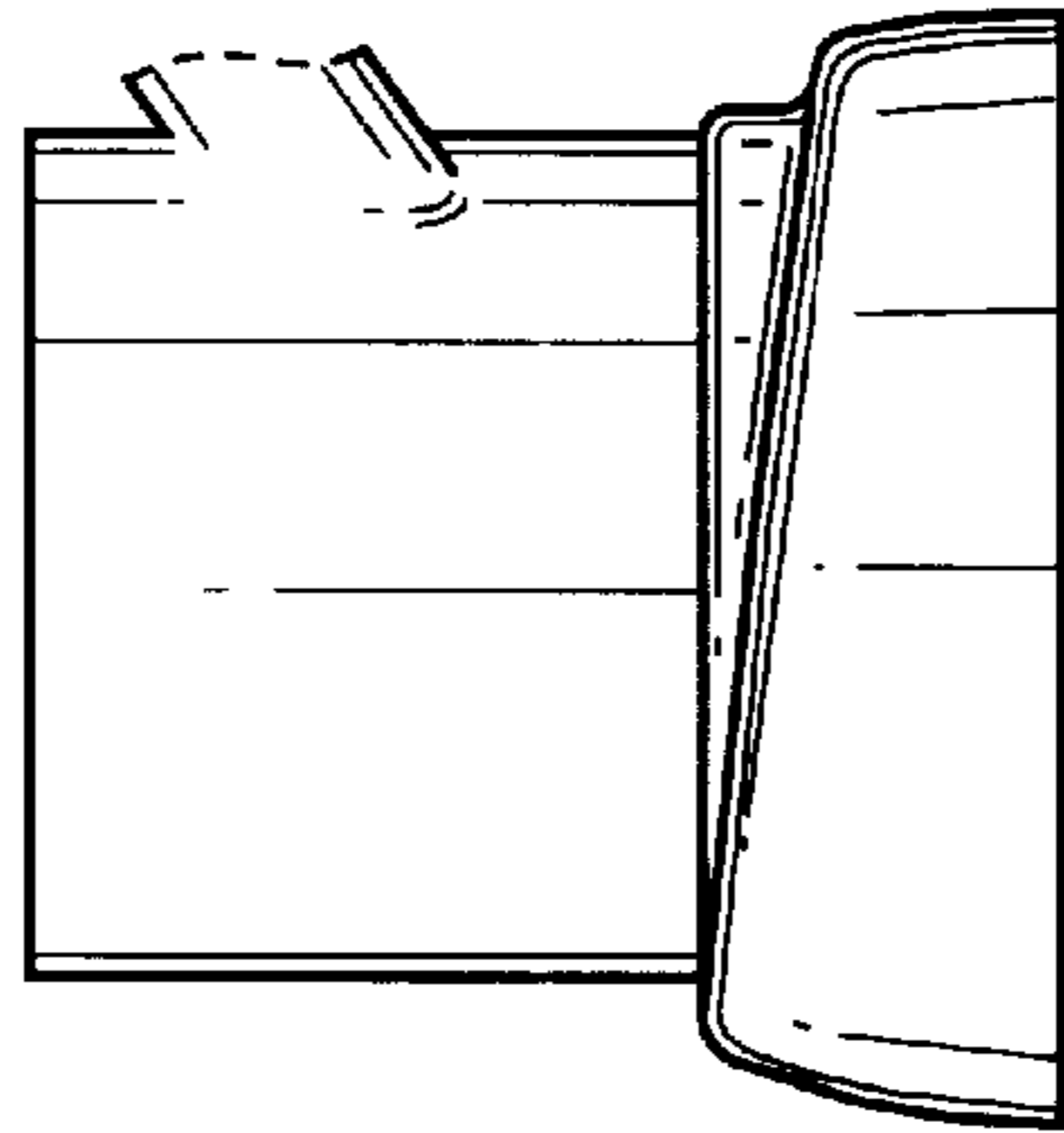


FIG. 6

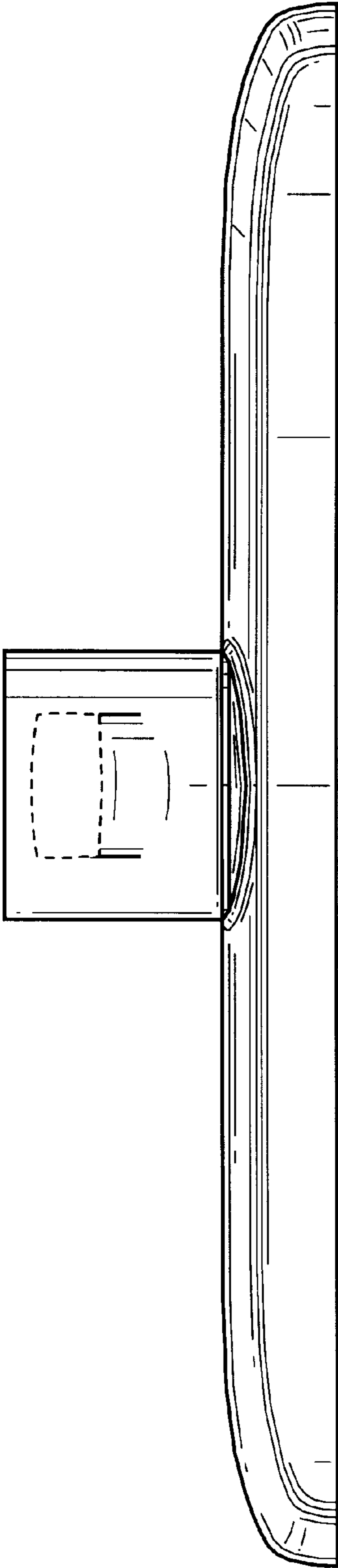


FIG. 2

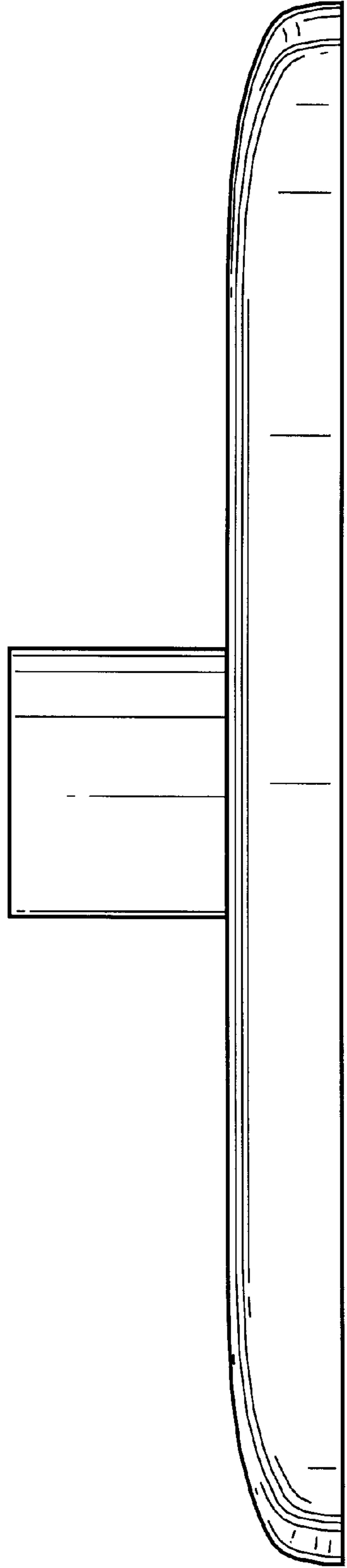


FIG. 3

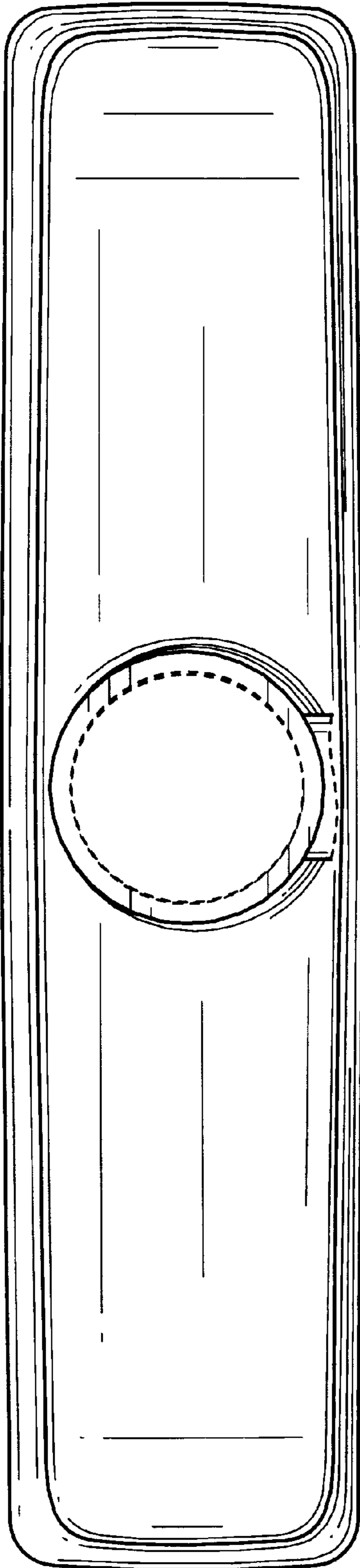


FIG. 4

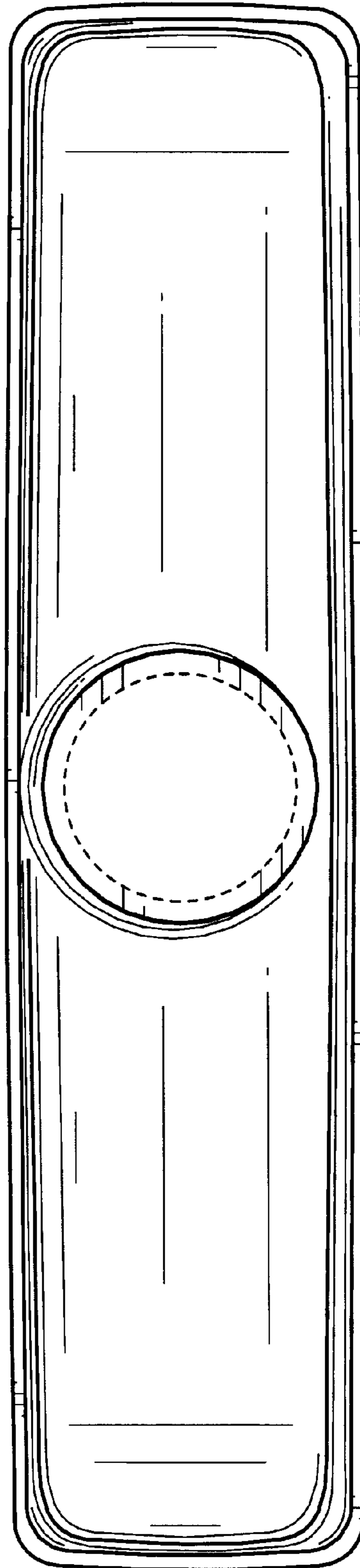


FIG. 5