



US00D420433S

United States Patent [19] Garza

[11] **Patent Number: Des. 420,433**

[45] **Date of Patent: ** Feb. 8, 2000**

[54] **WASHSTAND WITH PEDESTAL**

[76] **Inventor: Marcelo Garza Laguera Garza,**
Acambaro No. 459, Col. Cd. Industrial,
Irapuato, Guanajuato, Mexico, 36541

[**] **Term: 14 Years**

[21] **Appl. No.: 29/103,531**

[22] **Filed: Apr. 15, 1999**

[30] **Foreign Application Priority Data**

Feb. 11, 1998 [MX] Mexico 01892

[51] **LOC (7) Cl. 23-02**

[52] **U.S. Cl. D23/292**

[58] **Field of Search D23/284-293.1;**
4/619, 624, 626, 638-650

[56] **References Cited**

U.S. PATENT DOCUMENTS

D. 37,519	8/1905	Gavin	D23/292
D. 45,283	2/1914	Allen	D23/292
D. 45,289	2/1914	Cochran	D23/292
D. 50,186	1/1917	Faerber	D23/292
D. 77,877	2/1929	Braln	D23/292
D. 88,713	12/1932	Kohler et al.	D23/292

D. 101,446	10/1936	Dreyfuss et al.	D23/292
D. 394,494	5/1998	Garza	D23/292
D. 396,270	7/1998	Slothower	D23/292
D. 408,507	4/1999	Svendsen	D23/292

Primary Examiner—Eric Watterson
Attorney, Agent, or Firm—Bracewell & Patterson L.L.P.

[57] **CLAIM**

The ornamental design for washstand with pedestal, as shown.

DESCRIPTION

FIG. 1 is an isometric view showing the ornamental design for a washstand with pedestal according to the present invention.

FIG. 2 is a front elevation view of the washstand with pedestal of FIG. 1.

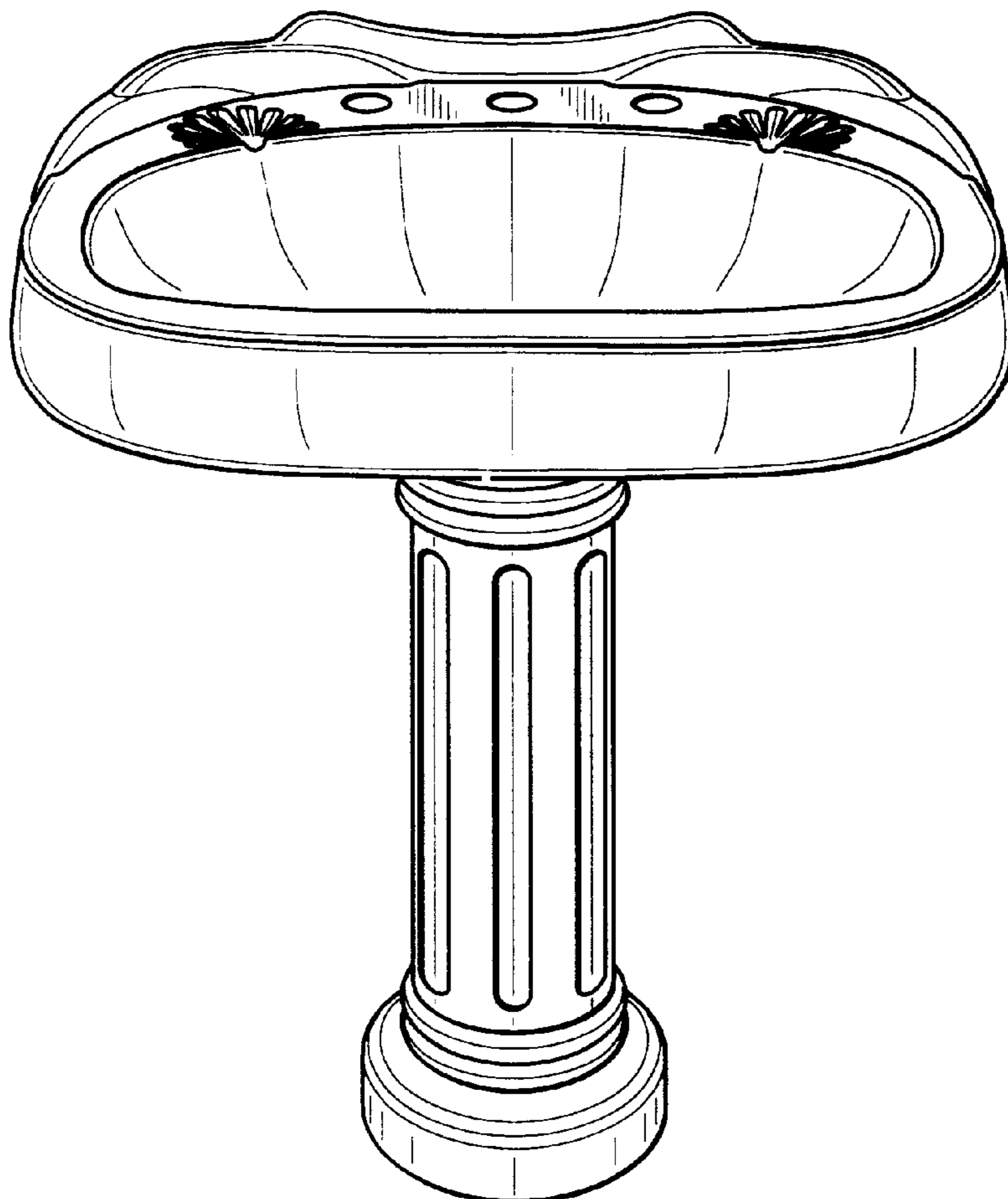
FIG. 3 is a top plan view of the washstand with pedestal of FIG. 1.

FIG. 4 is a left side elevation view of the washstand with pedestal of FIG. 1; and,

FIG. 5 is a right side elevation view of the washstand with pedestal of FIG. 1.

The bottom and rear elevation views of the washstand with pedestal of FIG. 1 are plain and unornamental.

1 Claim, 2 Drawing Sheets



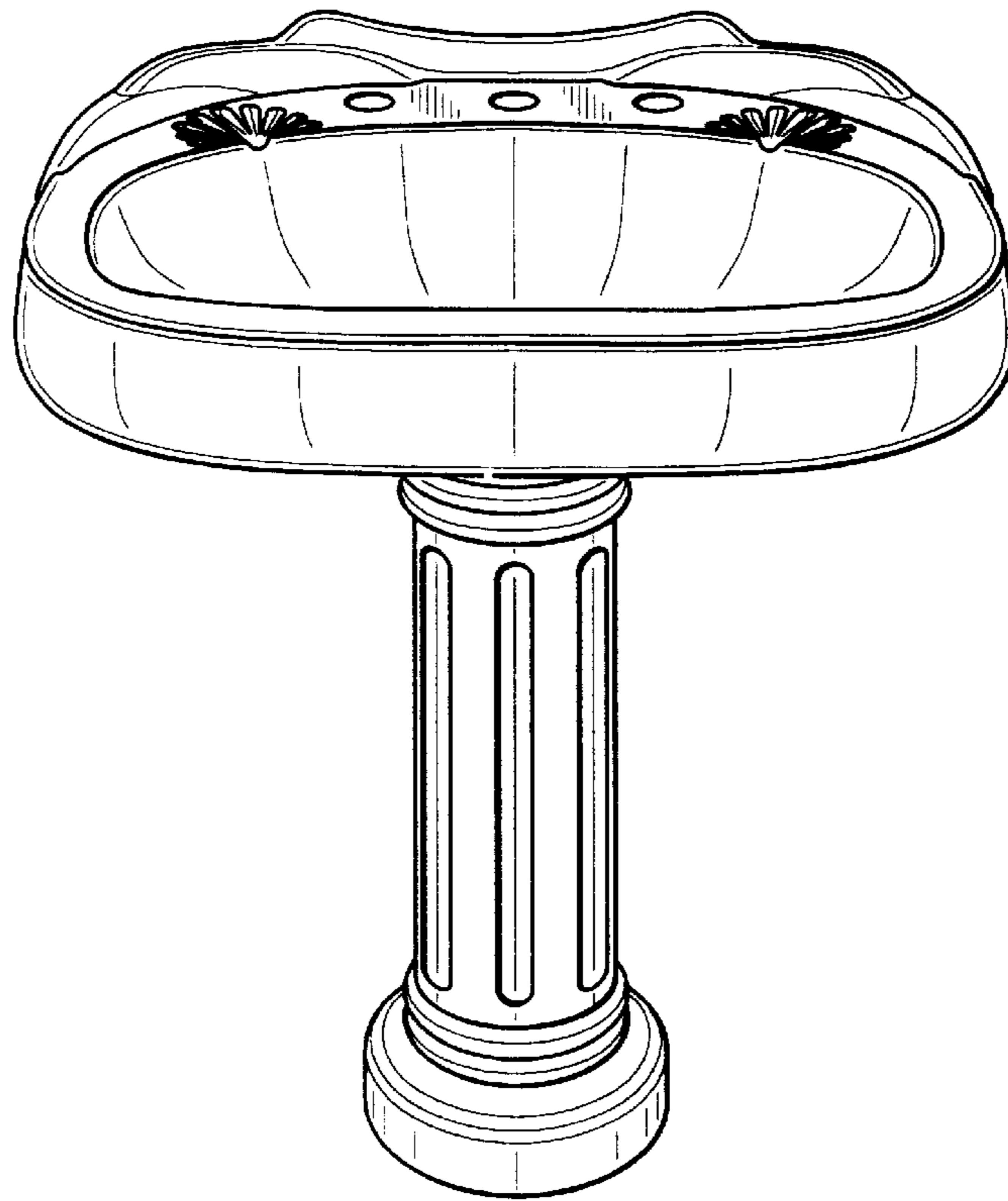


FIG. 1

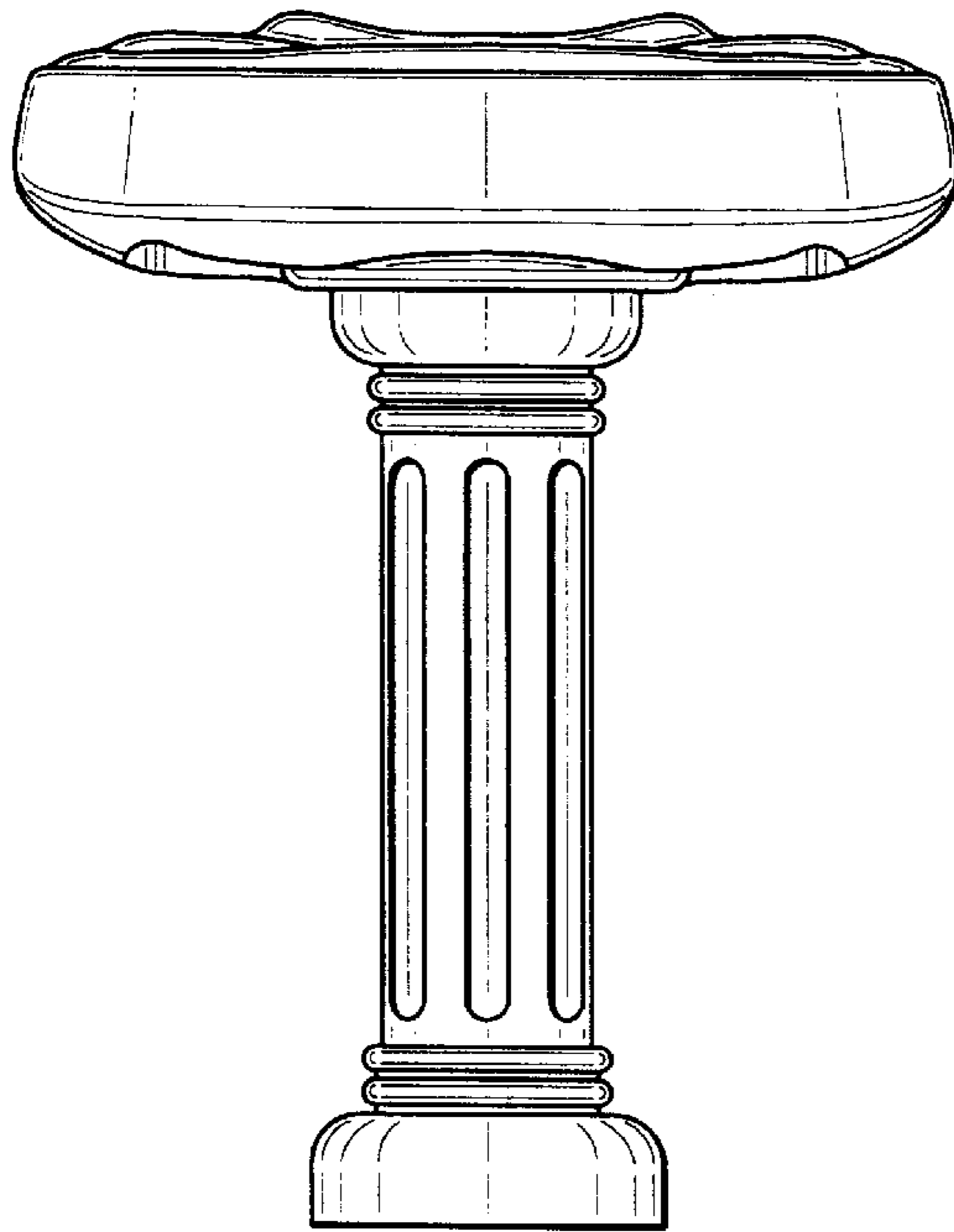


FIG. 2

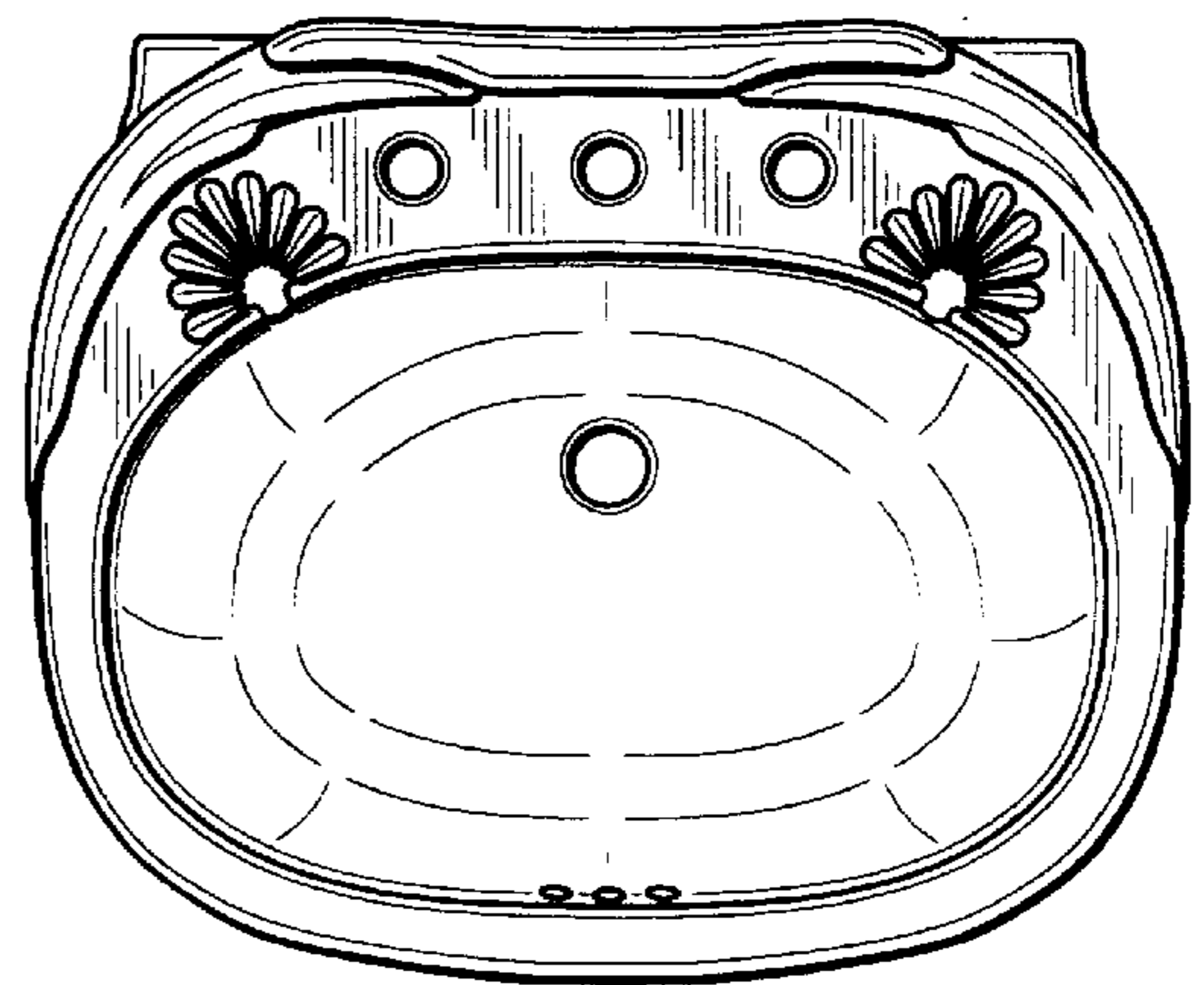


FIG. 3

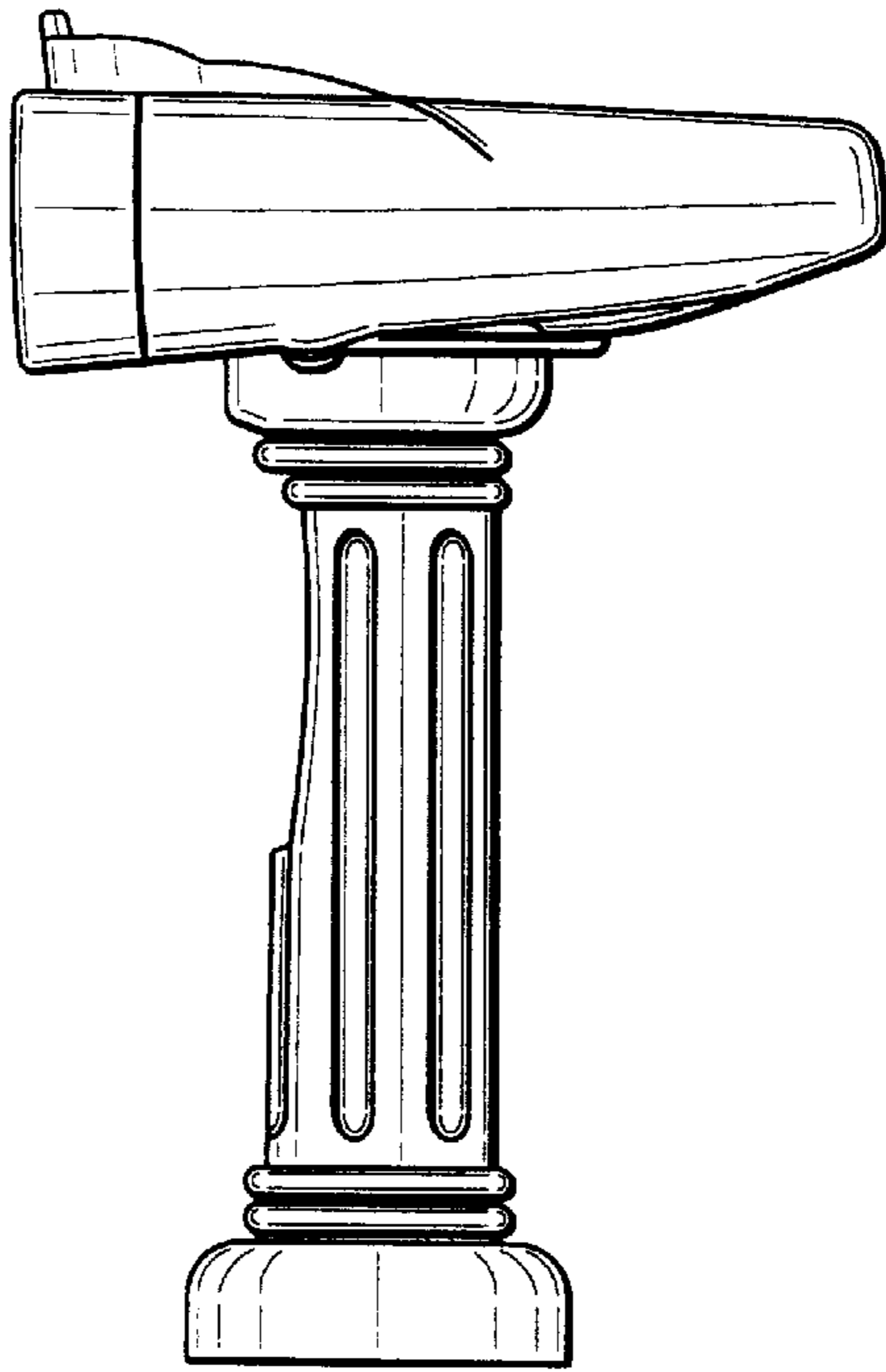


FIG. 4

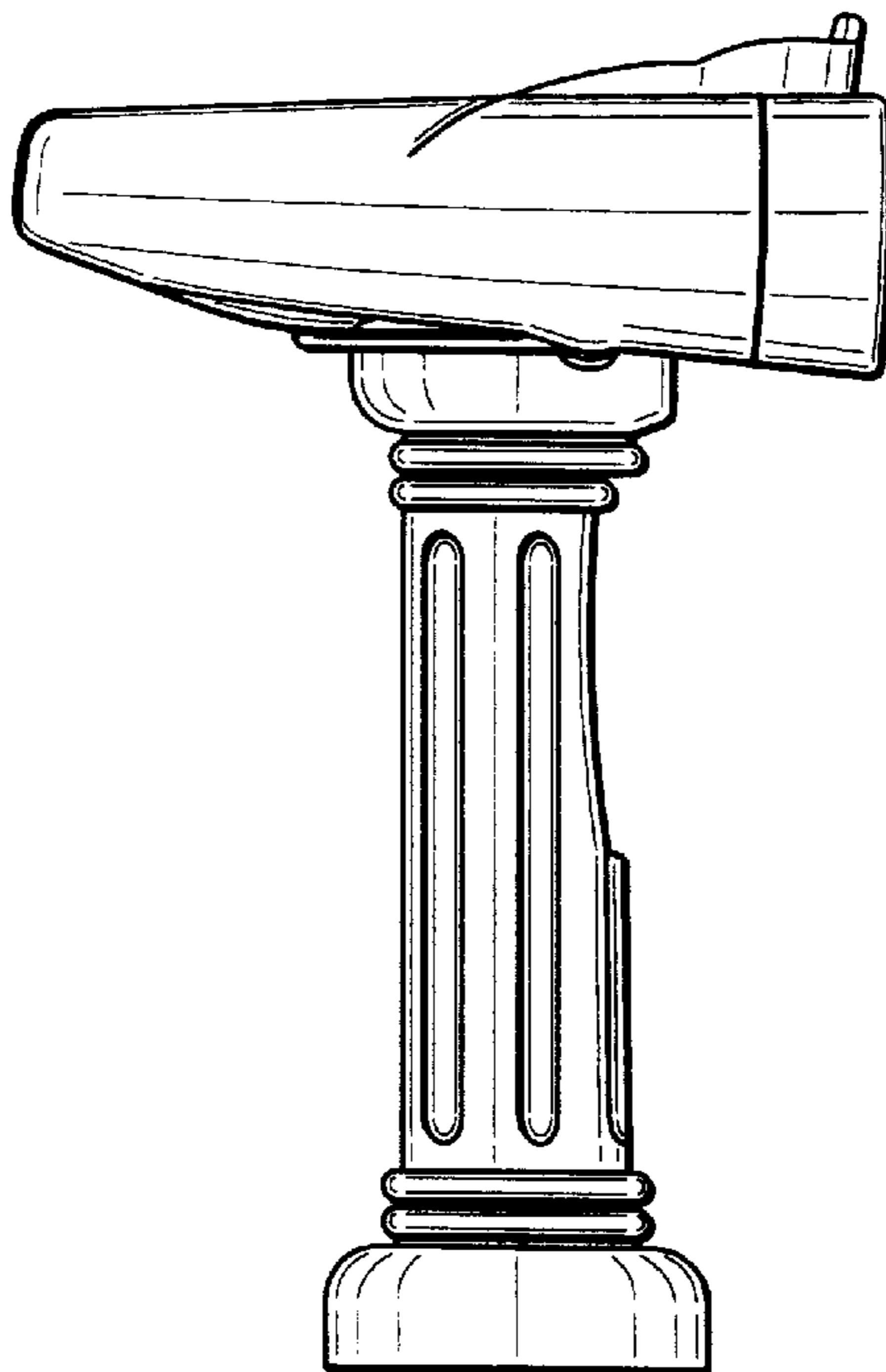


FIG. 5