



US00D420432S

# United States Patent [19] Lord

[11] Patent Number: Des. 420,432

[45] Date of Patent: \*\* \*Feb. 8, 2000

[54] FAUCET WITH PULL-OUT SPOUT

[75] Inventor: Judd A. Lord, Carmel, Ind.

[73] Assignee: Masco Corporation of Indiana,  
Indianapolis, Ind.

[\*] Notice: This patent is subject to a terminal disclaimer.

[\*\*] Term: 14 Years

[21] Appl. No.: 29/092,664

[22] Filed: Aug. 25, 1998

[51] LOC (7) Cl. .... 23-01

[52] U.S. Cl. .... D23/255

[58] Field of Search ..... D23/238-243,  
D23/250-257, 213; 4/25-28; 137/801

### [56] References Cited

#### U.S. PATENT DOCUMENTS

- D. 213,874 4/1969 Landell .
- D. 219,779 1/1971 Tiller .
- D. 290,492 6/1987 Hill et al. .
- D. 290,992 7/1987 Hill et al. .
- D. 291,117 7/1987 Ryan .
- D. 293,601 1/1988 Hill et al. .
- D. 323,877 2/1992 Haug et al. .
- D. 331,796 12/1992 Spangler .
- D. 352,766 11/1994 Hill et al. .
- D. 360,931 8/1995 Mark et al. .
- D. 363,536 10/1995 Hill et al. .
- D. 364,211 11/1995 Hill .
- D. 364,218 11/1995 Hill et al. .
- D. 364,219 11/1995 Hill et al. .
- D. 364,220 11/1995 Hill et al. .

- D. 366,099 1/1996 Hill et al. .
- D. 367,697 3/1996 Haug et al. .
- D. 367,699 3/1996 Hill et al. .
- D. 367,701 3/1996 Hill et al. .
- D. 367,920 3/1996 Hill et al. .
- D. 368,764 4/1996 Hill et al. .
- D. 368,958 4/1996 Hill et al. .
- D. 388,156 12/1997 Hill et al. .

#### OTHER PUBLICATIONS

Delta Full Line Catalog, pp. 4, 5, 1994.  
Delta Catalog, "The Way Water is Brought to Life", 2 pages, 1991.

Primary Examiner—Eric Watterson  
Attorney, Agent, or Firm—Myron B. Kapustij; Lloyd D. Doigan

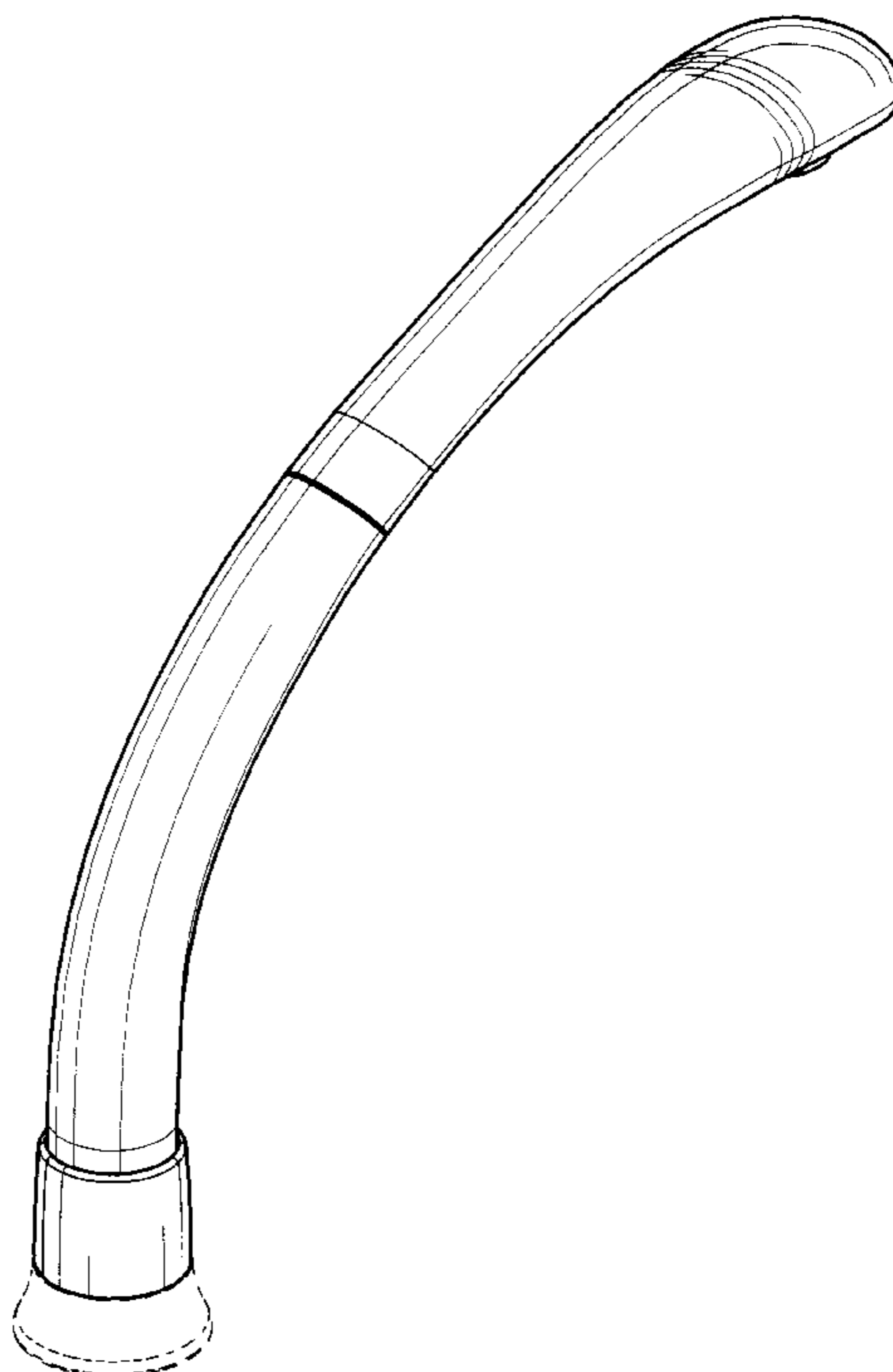
#### [57] CLAIM

The ornamental design for a faucet with pull-out spout, as shown and described.

#### DESCRIPTION

FIG. 1 is a top, rear perspective view of the faucet with pull-out spout showing my new design;  
FIG. 2 is a front perspective view thereof;  
FIG. 3 is a right side elevational view thereof, the left side being a mirror image;  
FIG. 4 is a front elevational view thereof;  
FIG. 5 is a top plan view thereof;  
FIG. 6 is a rear elevational view thereof; and,  
FIG. 7 is a bottom plan view thereof.  
The broken line showing of the base in FIGS. 1-7 is for purposes of illustration only and forms no part of the claimed design.

1 Claim, 3 Drawing Sheets



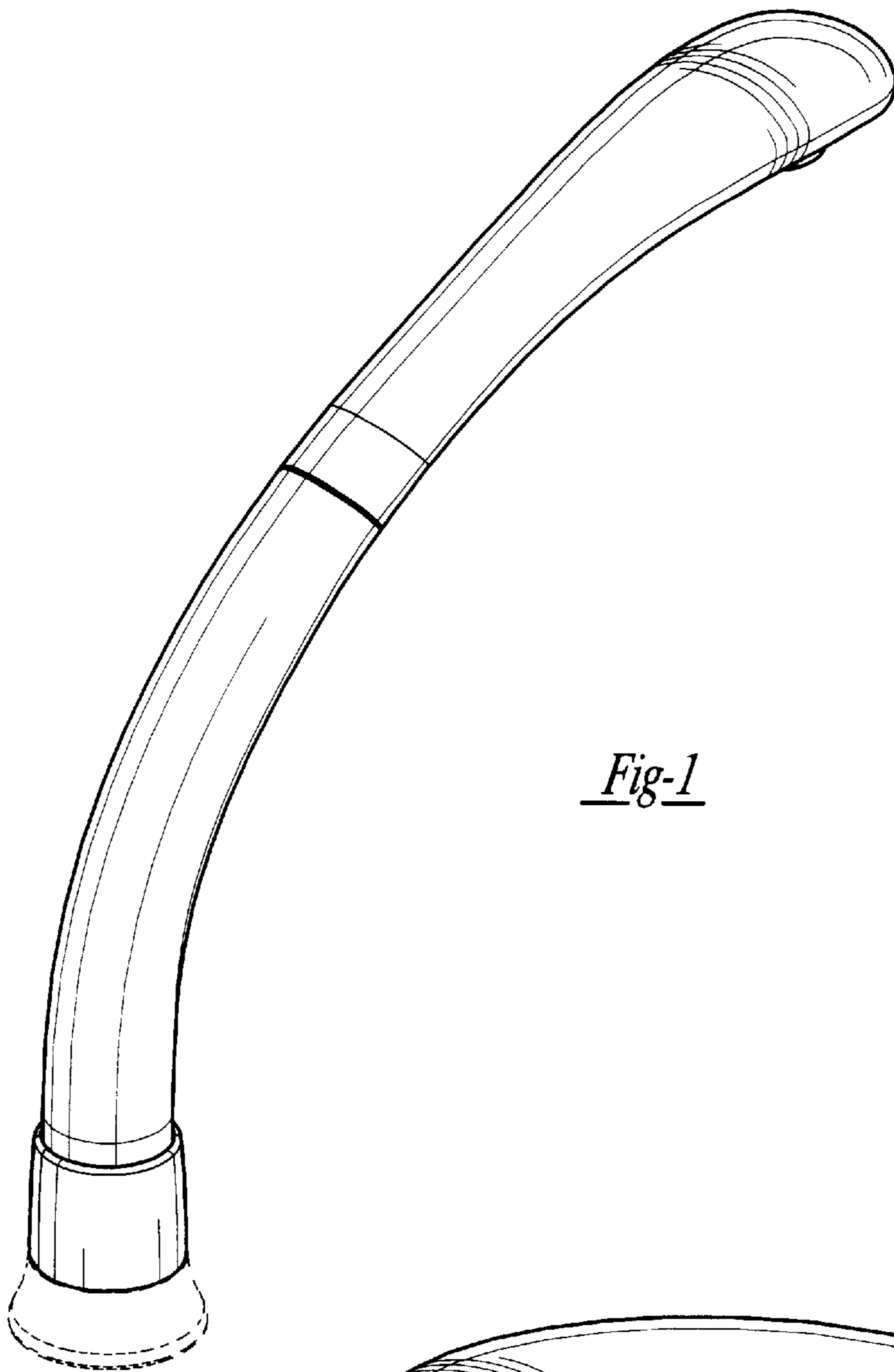


Fig-1

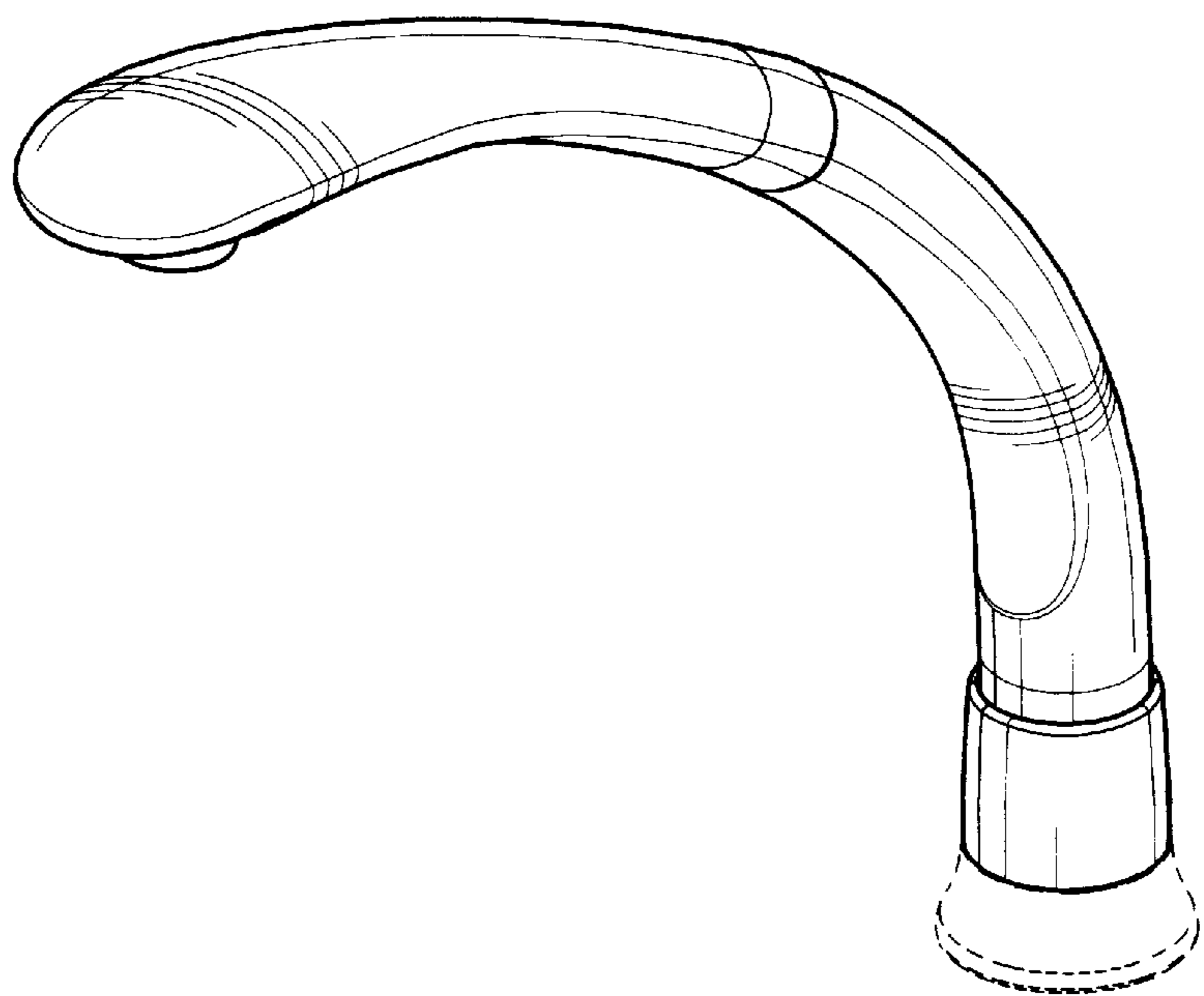


Fig-2

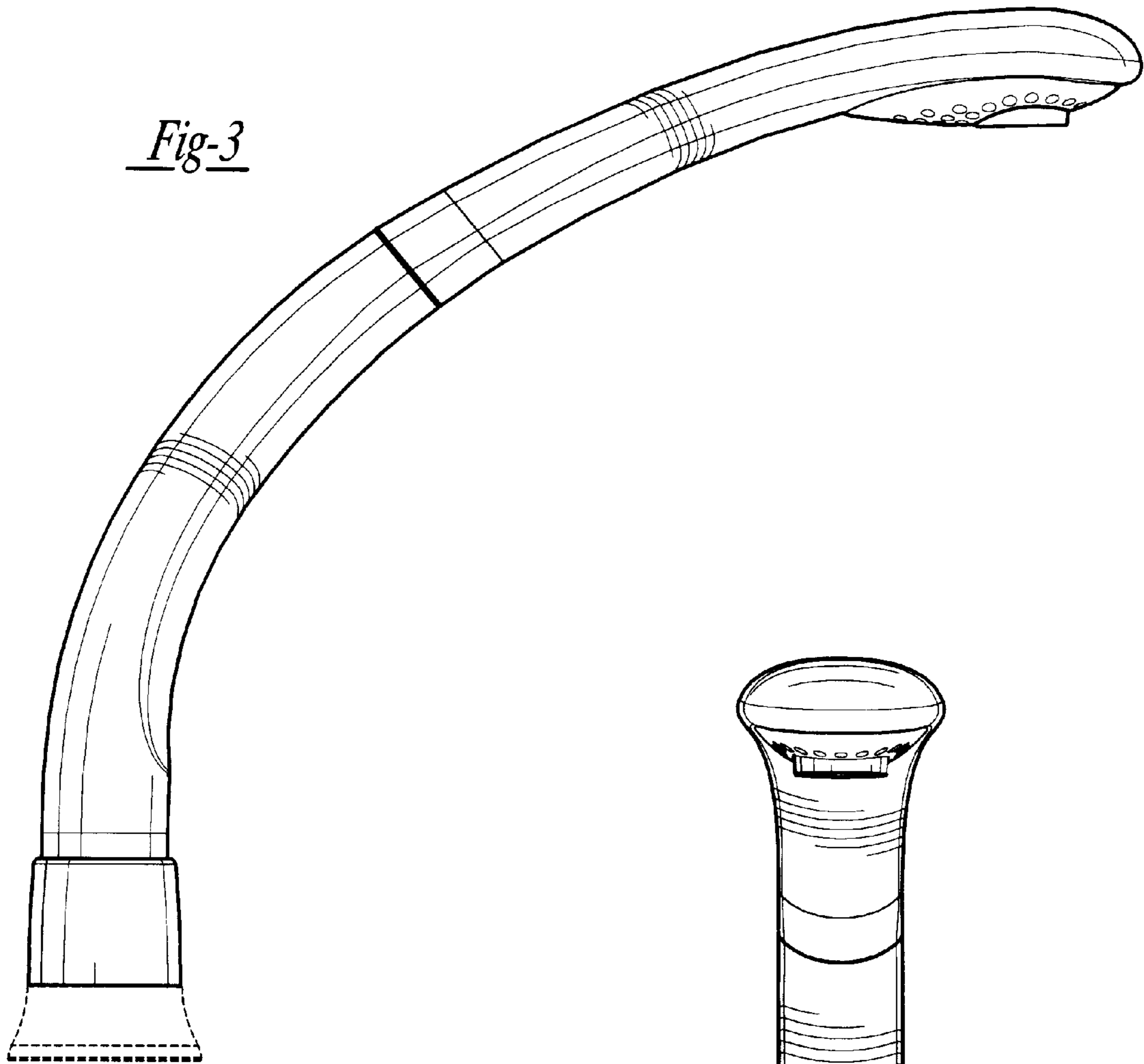
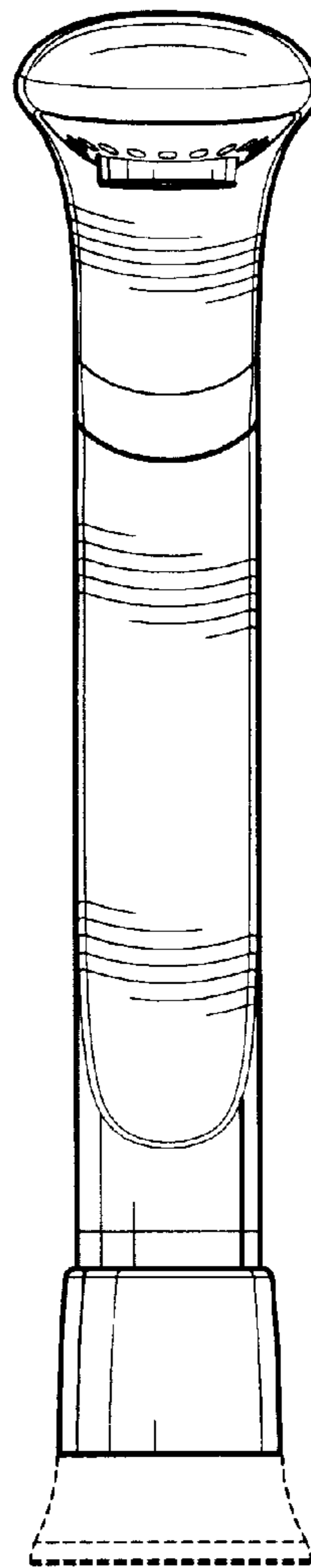


Fig-4



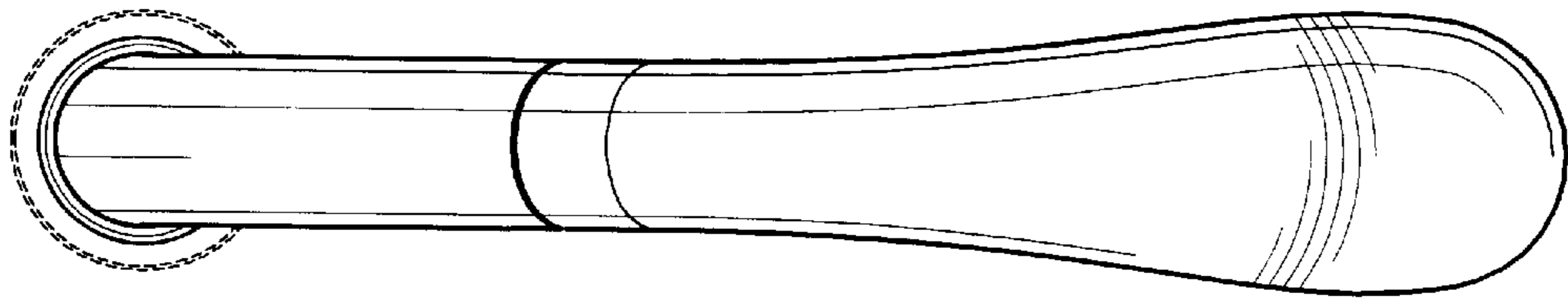


Fig-5

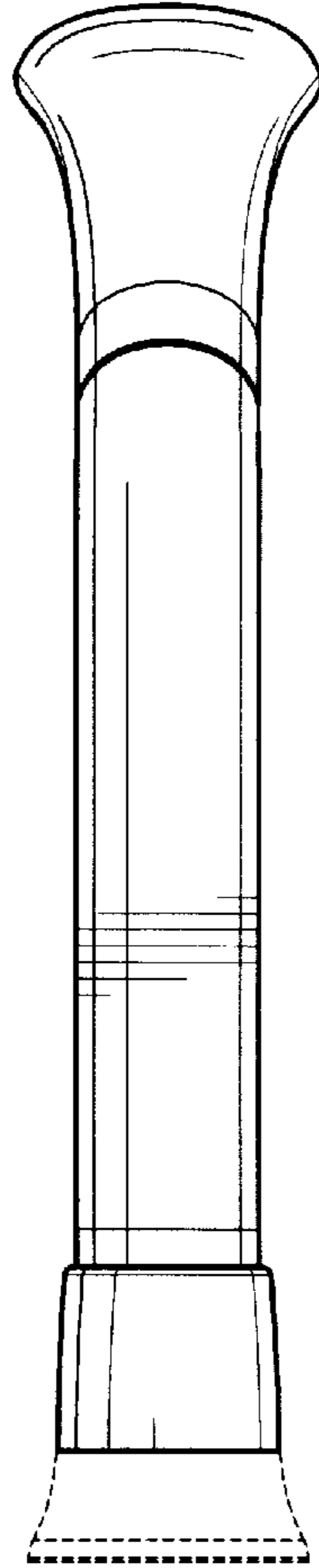


Fig-6

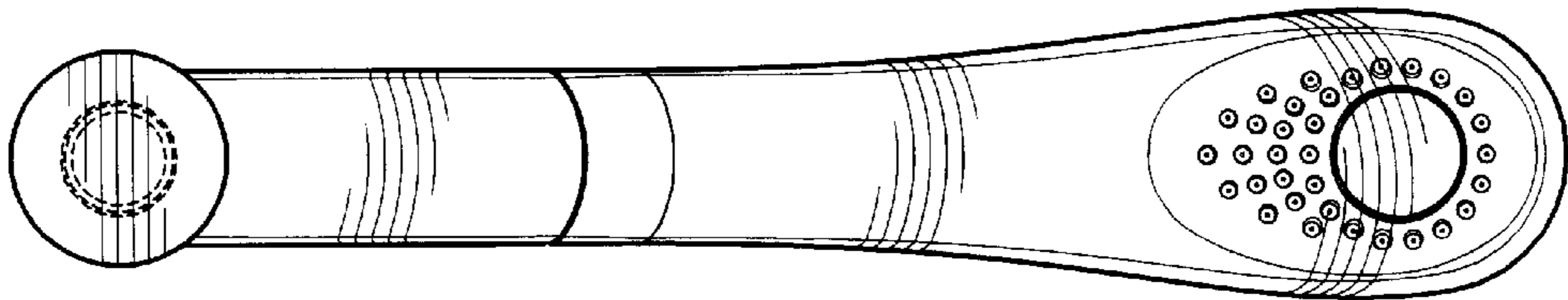


Fig-7