



US00D420430S

# United States Patent [19] Lobermeier

[11] Patent Number: **Des. 420,430**

[45] Date of Patent: **\*\* Feb. 8, 2000**

[54] **SINGLE-HANDLE MIXING FAUCET**

[75] Inventor: **Hans Lobermeier**, Menden, Germany

[73] Assignee: **Friedrich Grohe AG**, Hemer, Germany

[\*\*] Term: **14 Years**

[21] Appl. No.: **29/107,247**

[22] Filed: **Jun. 30, 1999**

[30] **Foreign Application Priority Data**

Jan. 6, 1999 [DE] Germany ..... 499 00 025

[51] **LOC (7) Cl.** ..... **23-01**

[52] **U.S. Cl.** ..... **D23/238**

[58] **Field of Search** ..... D23/238-243,  
D23/250-257; 4/675-678; 137/801; D8/300-308

[56] **References Cited**

**U.S. PATENT DOCUMENTS**

D. 367,919 3/1996 Lobermeier ..... D23/238

D. 377,678 1/1997 Gottwald ..... D23/238

D. 394,698 5/1998 Krause ..... D23/238

D. 397,768 9/1998 Delabie et al. .... D23/238

D. 397,769 9/1998 Lobermeier ..... D23/238

D. 404,465 1/1999 Ko ..... D23/238

D. 410,735 6/1999 Gottwald ..... D23/238

D. 412,967 8/1999 Lim ..... D23/238

*Primary Examiner*—Eric Watterson  
*Attorney, Agent, or Firm*—Herbert Dubno

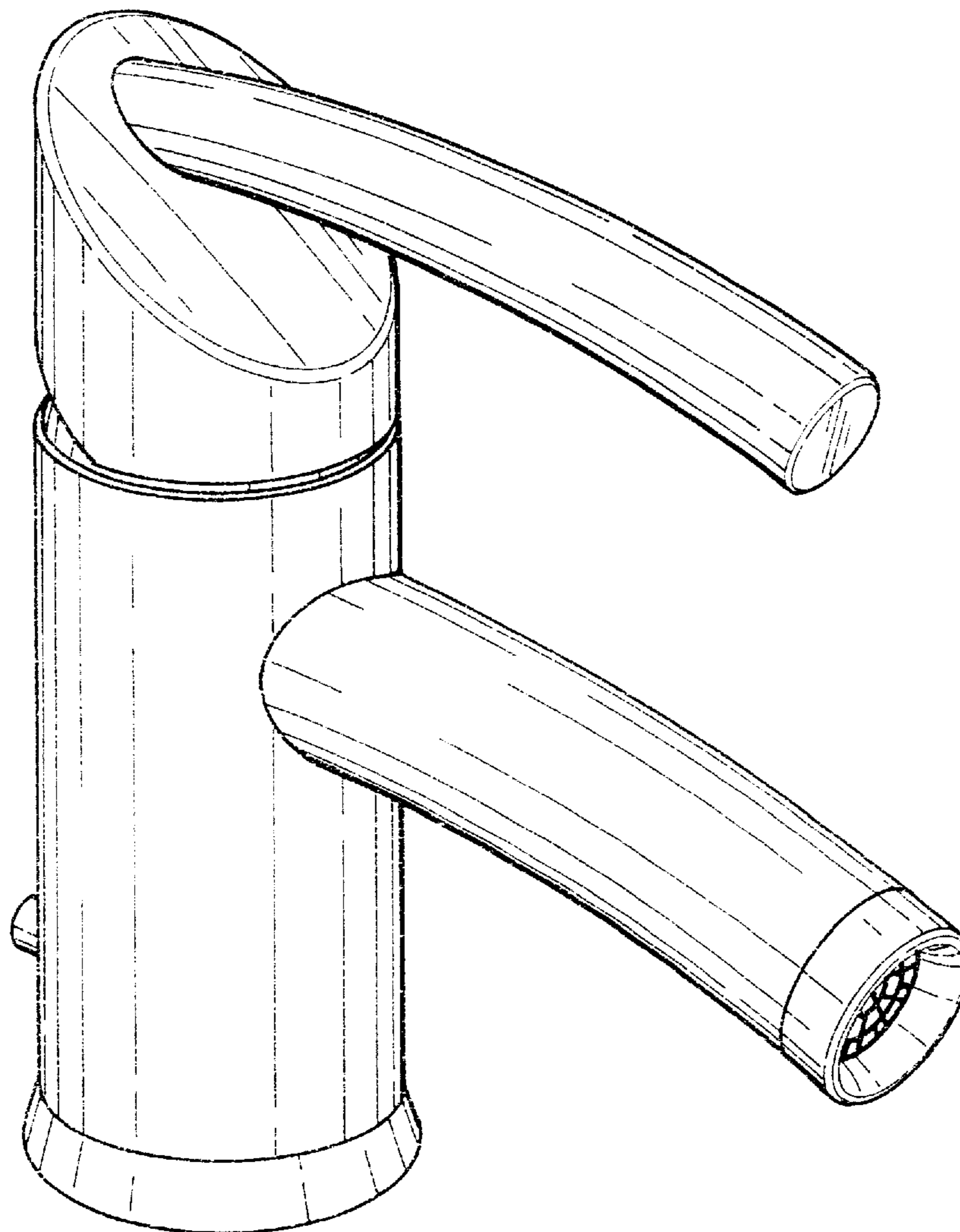
[57] **CLAIM**

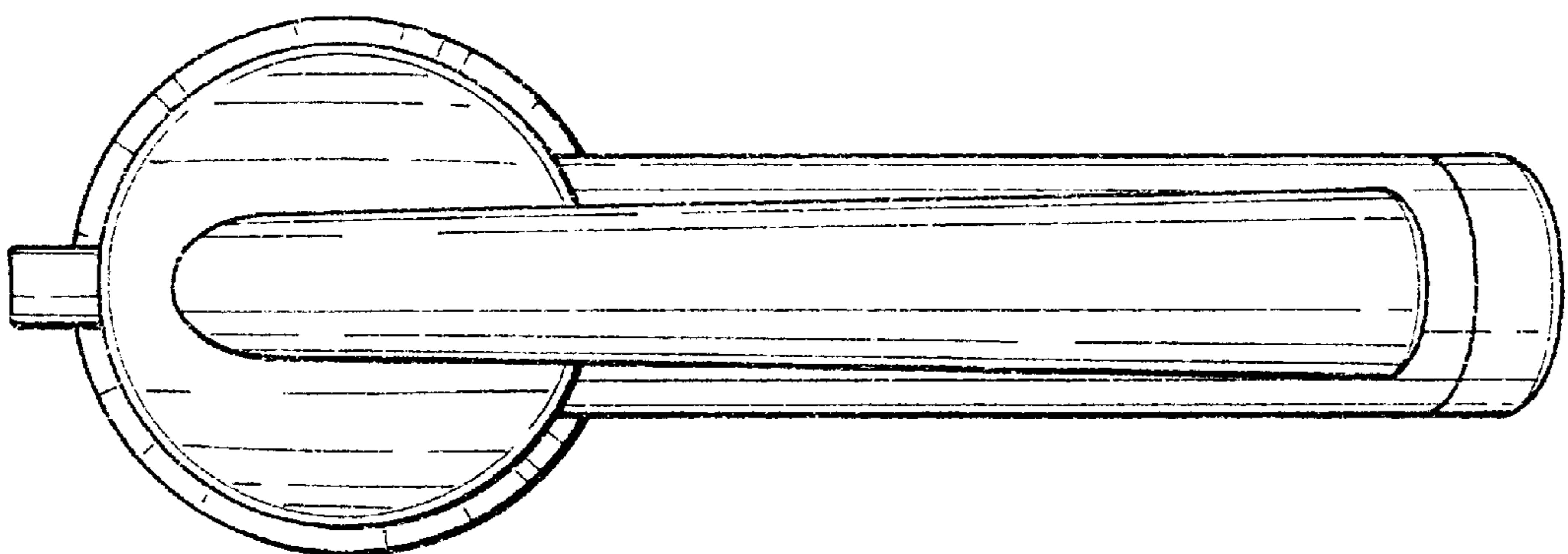
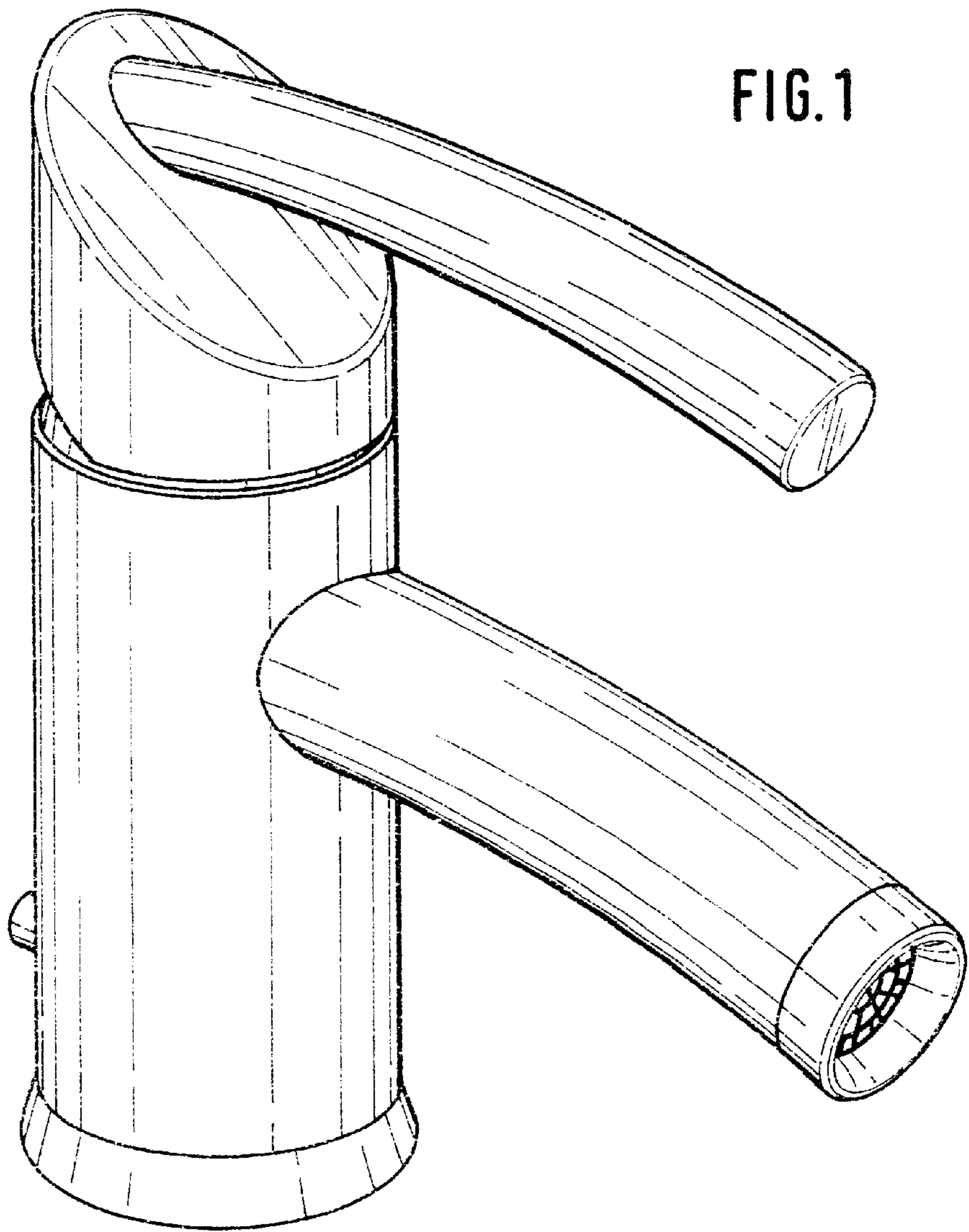
The ornamental design for a single-handle mixing faucet, as shown and described.

**DESCRIPTION**

FIG. 1 is a top, front, left-side perspective view of a single-handle mixing faucet showing my new design; FIG. 2 is a top view thereof; FIG. 3 is a left side elevational view thereof, the right side being mirror symmetrical thereto; FIG. 4 is a bottom view thereof; FIG. 5 is a front view thereof; and, FIG. 6 is a rear view thereof.

**1 Claim, 3 Drawing Sheets**





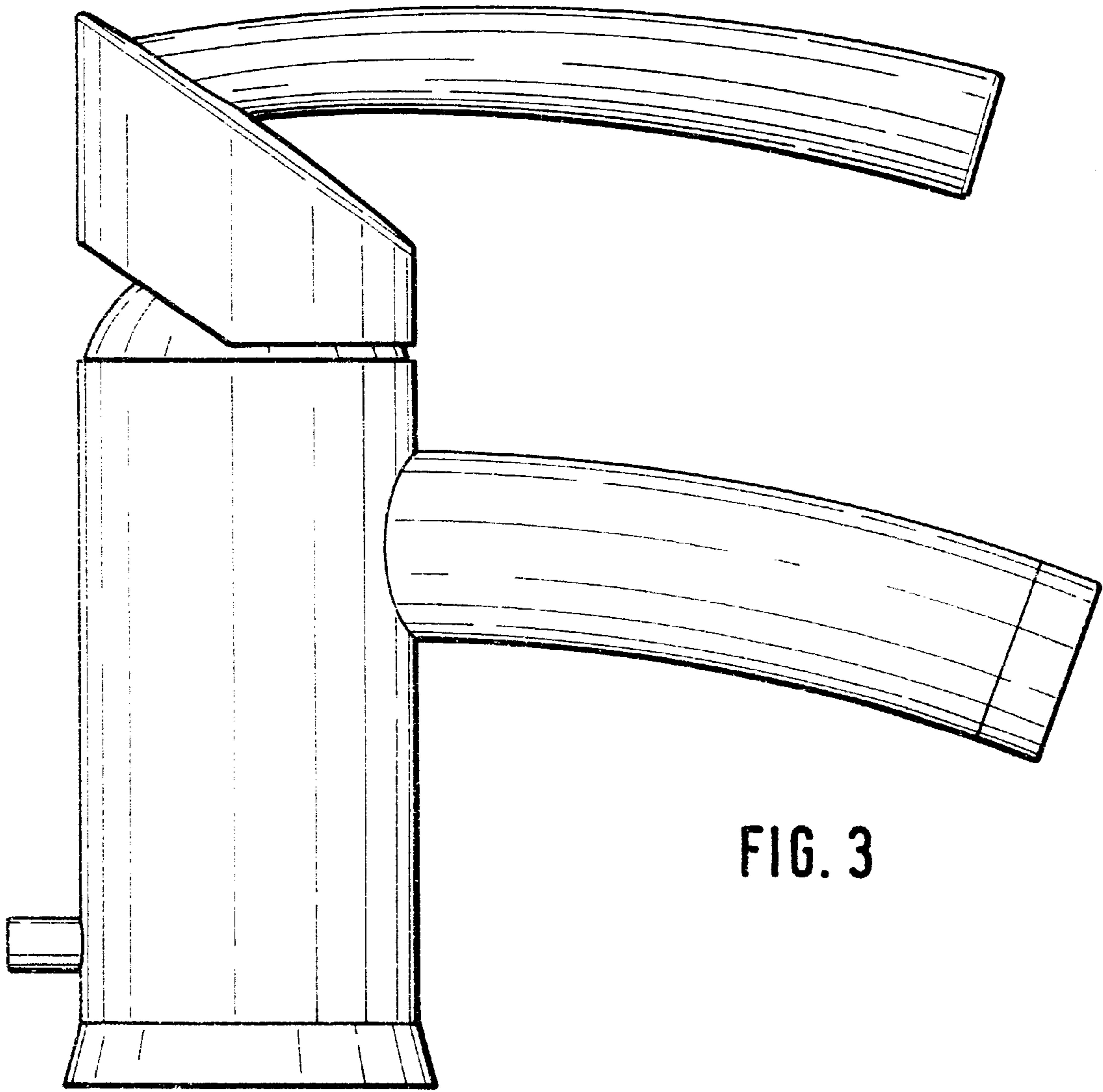


FIG. 3

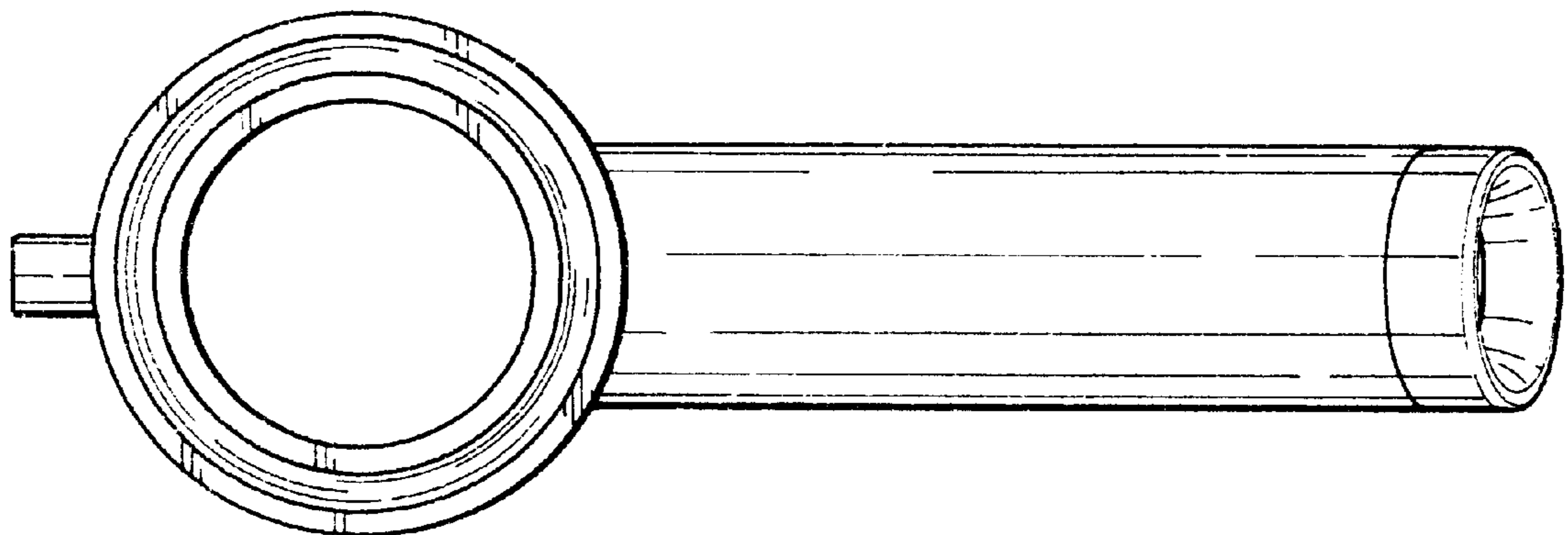


FIG. 4

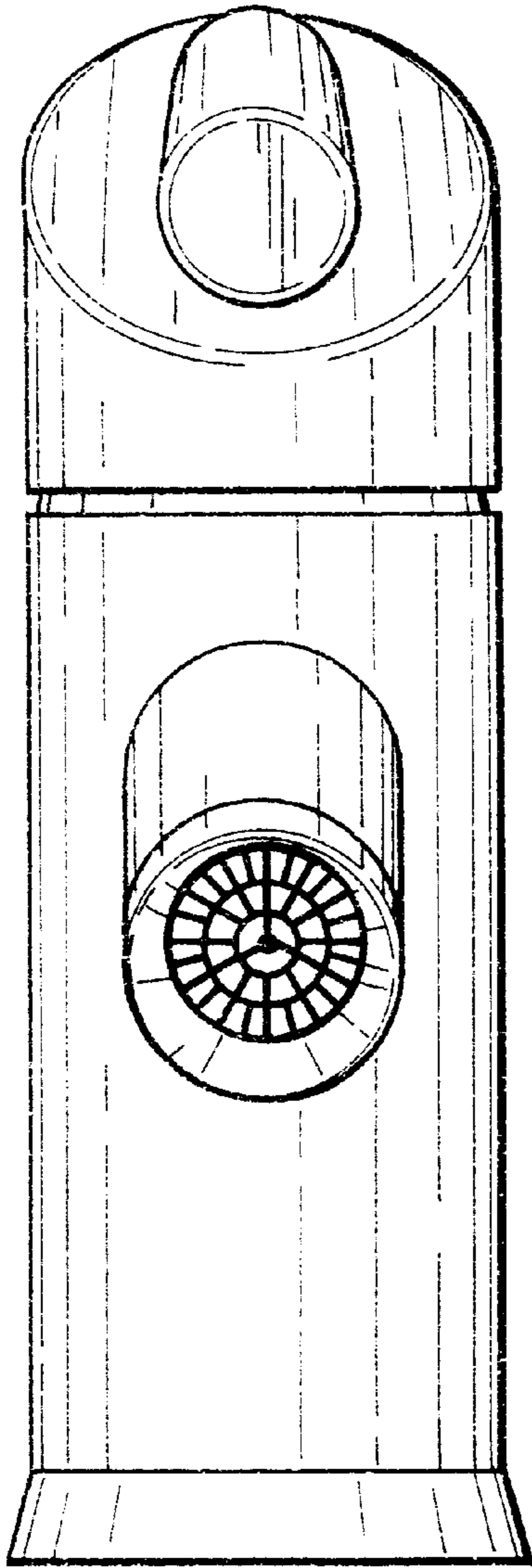


FIG. 5

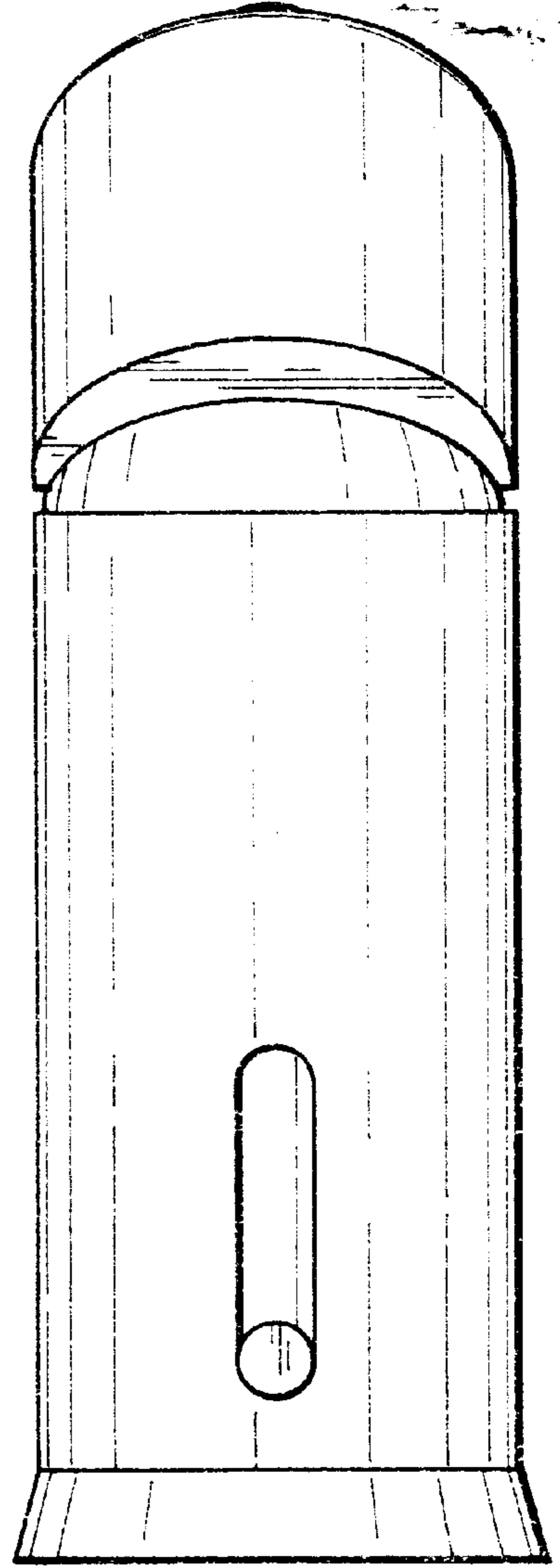


FIG. 6