



US00D420428S

# United States Patent [19] Willis

[11] **Patent Number: Des. 420,428**

[45] **Date of Patent: \*\* Feb. 8, 2000**

[54] **HAND PUMP**

D. 256,945 9/1980 Willis ..... D23/232  
4,357,798 11/1982 Hung ..... 417/468

[75] Inventor: **Karl Willis**, Near Middlewich, United Kingdom

*Primary Examiner*—Robin V. Taylor  
*Attorney, Agent, or Firm*—Wolf, Greenfield & Sacks, P.C.

[73] Assignee: **Matchless Limited**, United Kingdom

[57] **CLAIM**

[\*\*] Term: **14 Years**

The ornamental design for a hand pump, as shown and described.

[21] Appl. No.: **29/095,134**

[22] Filed: **Oct. 16, 1998**

### DESCRIPTION

[51] **LOC (7) Cl.** ..... **15-02**

[52] **U.S. Cl.** ..... **D23/232**

[58] **Field of Search** ..... D23/231, 232;  
417/437, 474, 467, 468, 469; 222/400.8,  
383.1, 383.3, 401

FIG. 1 is a perspective view of a hand pump showing my new design;

FIG. 2 is a side elevational view thereof, the opposite side elevational view being a mirror image of the illustrated side elevational view;

FIG. 3 is a front elevational view thereof;

FIG. 4 is a back elevational view thereof;

FIG. 5 is a top plan view thereof; and,

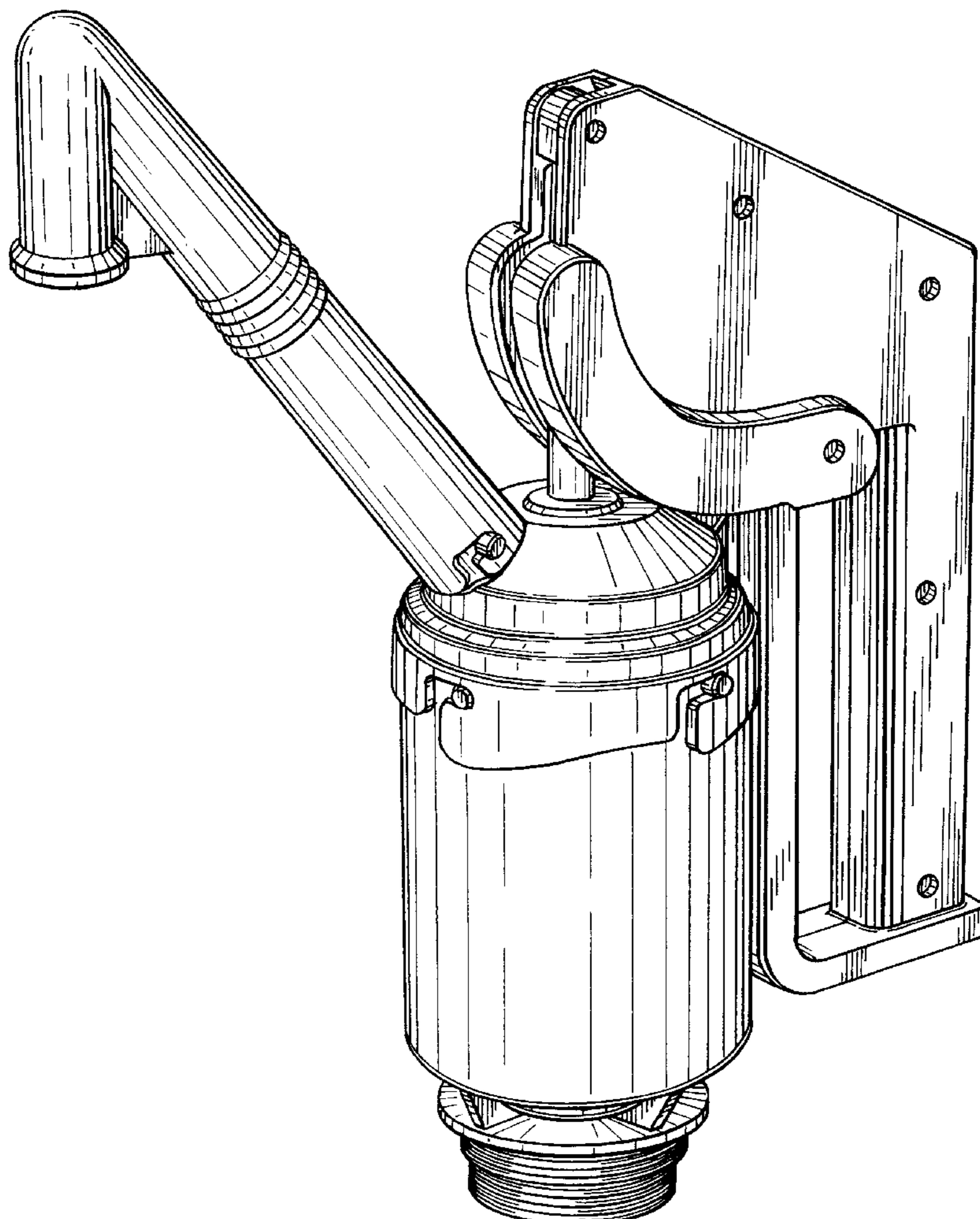
FIG. 6 is a bottom plan view thereof.

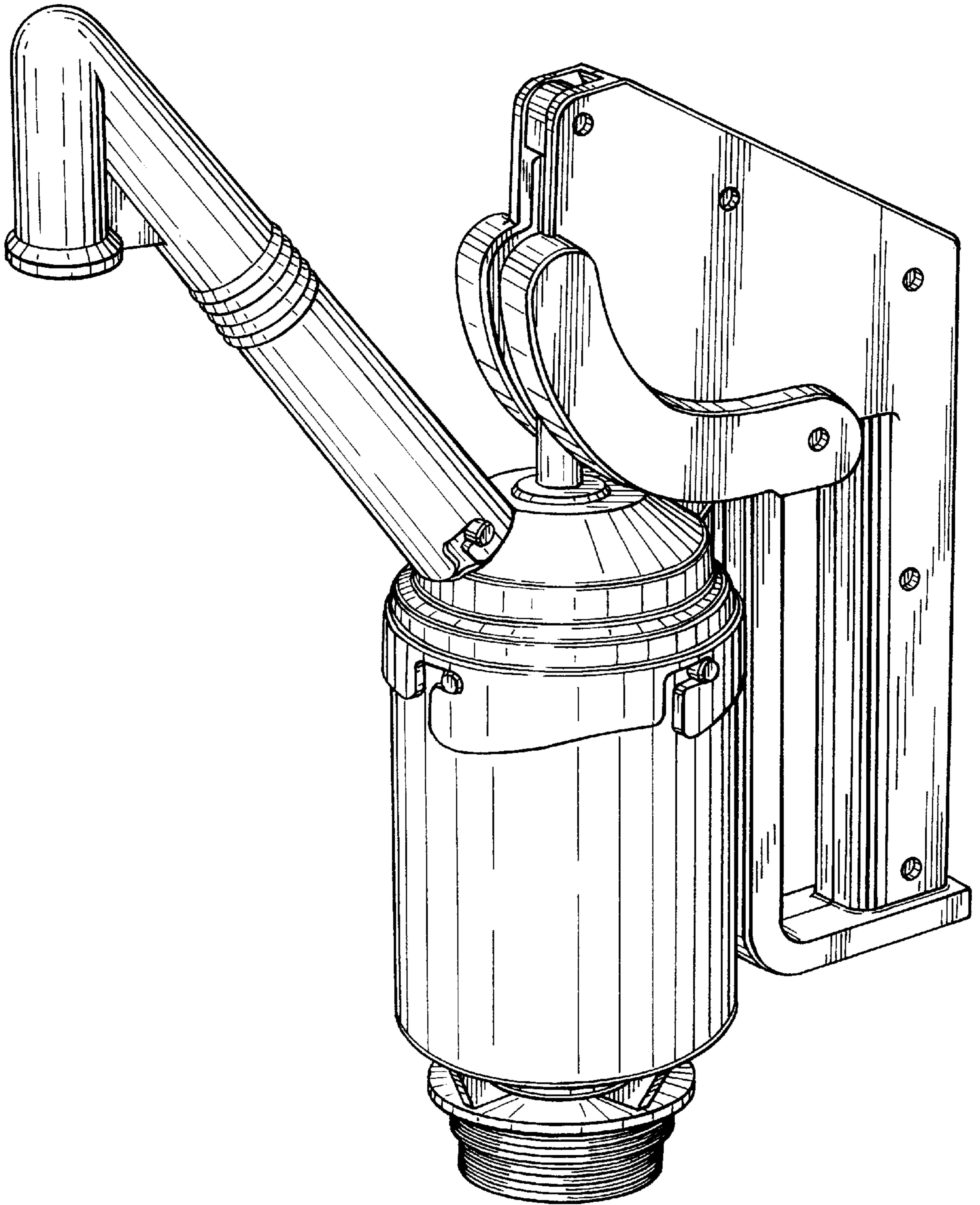
### [56] **References Cited**

#### U.S. PATENT DOCUMENTS

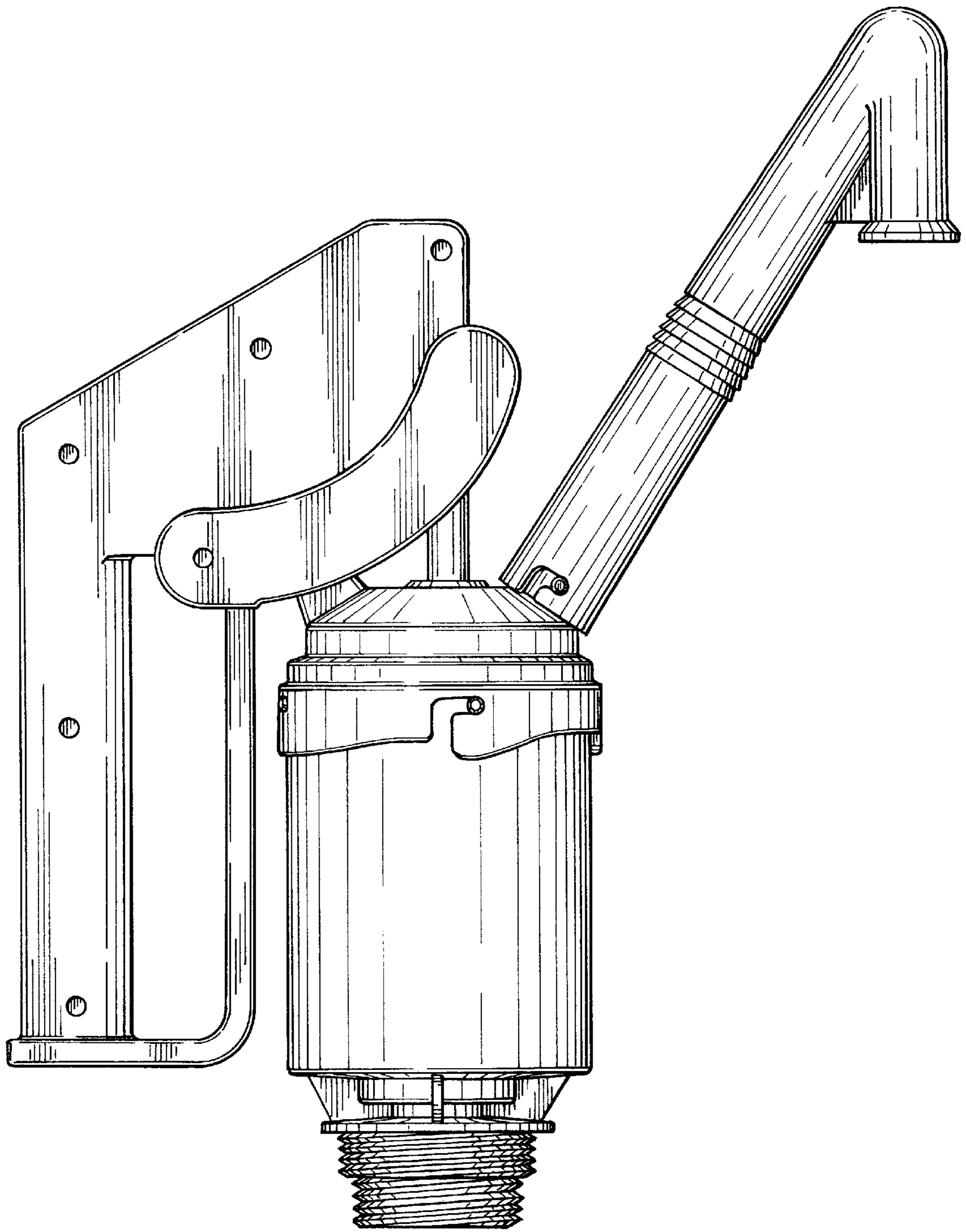
D. 175,660 9/1955 Welch ..... D23/232  
D. 222,457 10/1971 Bair ..... D23/232

**1 Claim, 6 Drawing Sheets**

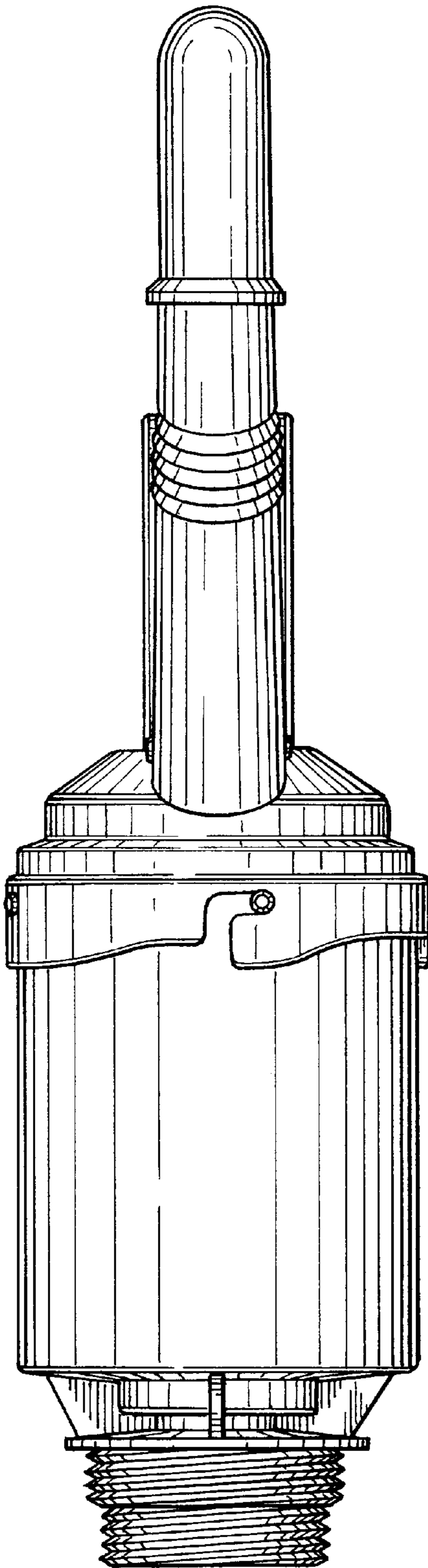




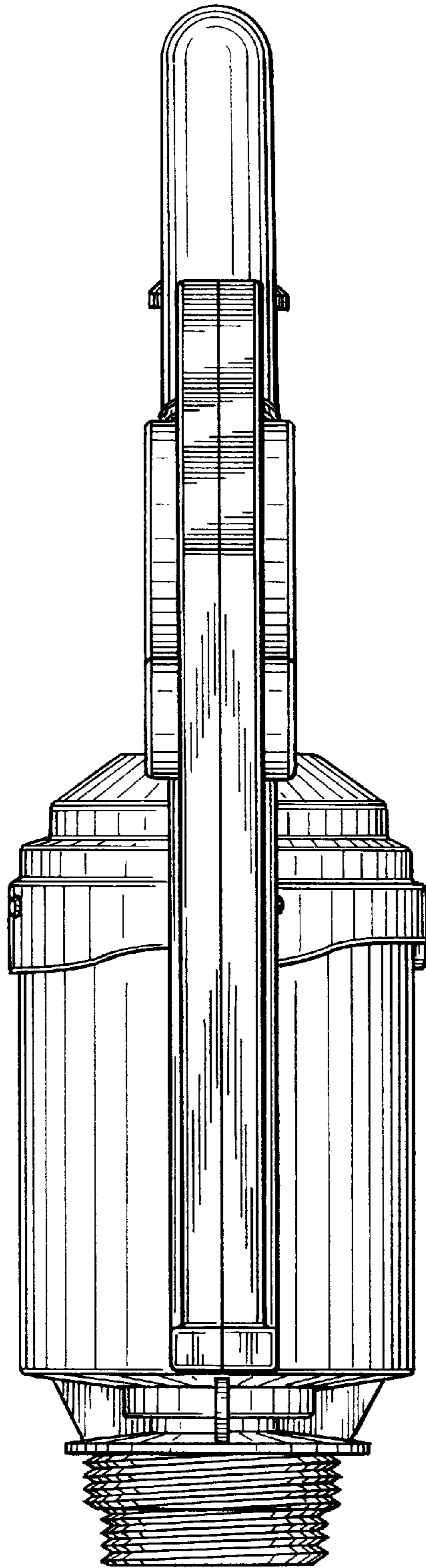
*Fig. 1*



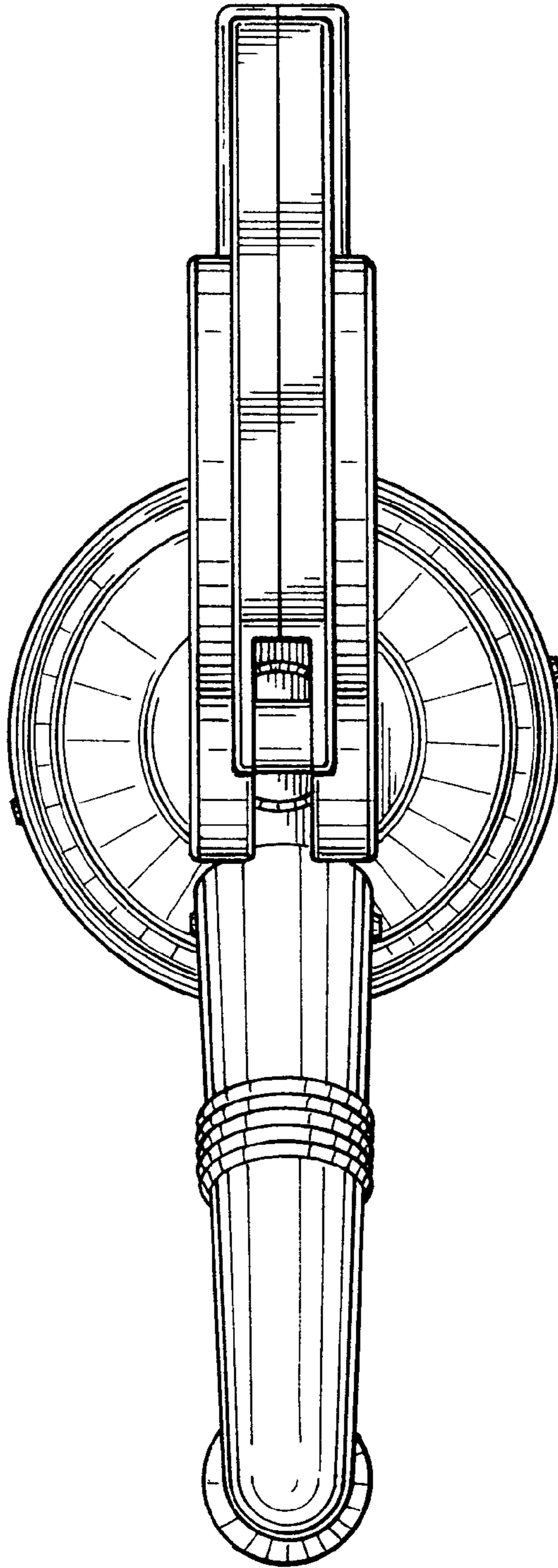
*Fig. 2*



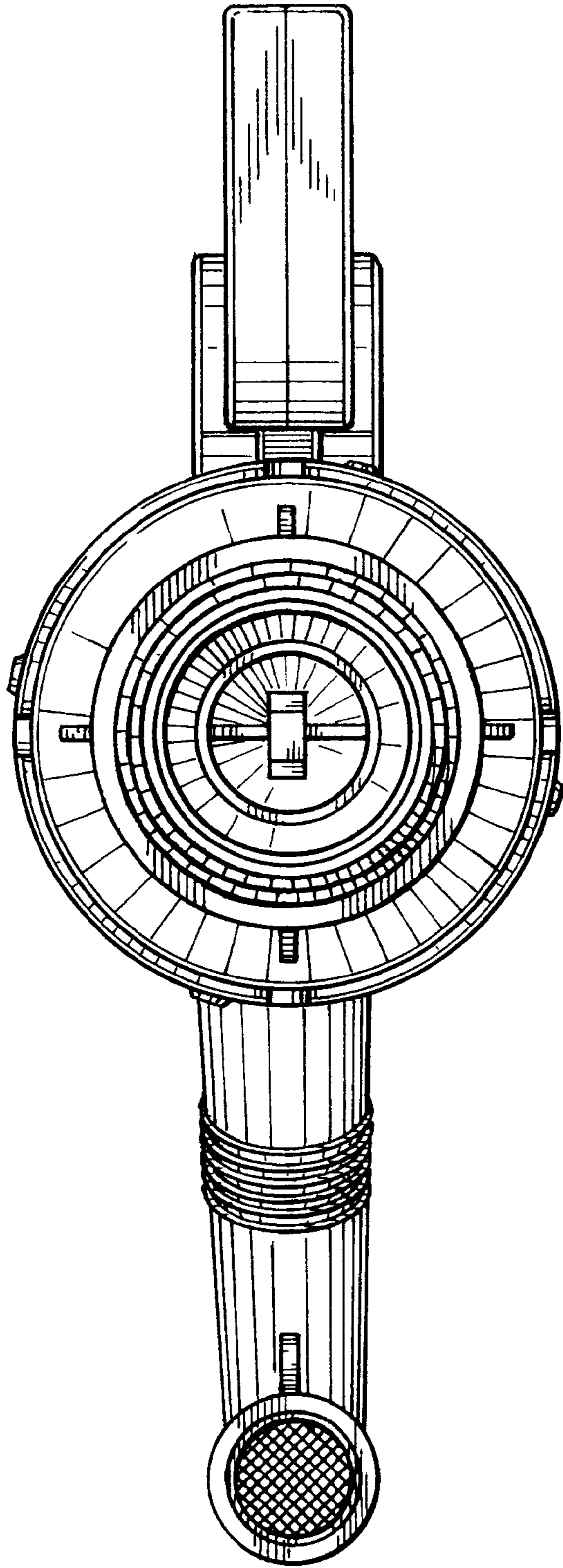
*Fig. 3*



*Fig. 4*



*Fig. 5*



*Fig. 6*