



US00D420425S

United States Patent [19]

[11] **Patent Number: Des. 420,425**

Micoley et al.

[45] **Date of Patent: ** Feb. 8, 2000**

[54] **DISTILLER**

5,217,580 6/1993 Chen 202/185.2

[75] Inventors: **Scott H. Micoley**, Cedarburg; **David C. Belongia**, Kewaskum, both of Wis.

Primary Examiner—Alan P. Douglas
Assistant Examiner—Robin V. Taylor
Attorney, Agent, or Firm—Michael Best & Friedrich LLP

[73] Assignee: **The West Bend Company**, West Bend, Wis.

[57] CLAIM

[**] Term: **14 Years**

The ornamental design for a distiller, as shown and described.

[21] Appl. No.: **29/085,114**

DESCRIPTION

[22] Filed: **Mar. 17, 1998**

FIG. 1 is an elevation view of the front of a distiller constructed in accordance with one preferred embodiment of the invention;

[51] **LOC (7) Cl.** **23-01**

[52] **U.S. Cl.** **D23/207**

[58] **Field of Search** D23/200, 209,
D23/207; 202/81, 83, 185.2; 203/10, 12;
D7/309

FIG. 2 is an elevation view of the right side of the distiller shown in FIG. 1, the elevation view of the left side of such distiller being a mirror image thereof;

FIG. 3 is an elevation view of the rear of the distiller shown in FIGS. 1 and 2;

[56] References Cited

U.S. PATENT DOCUMENTS

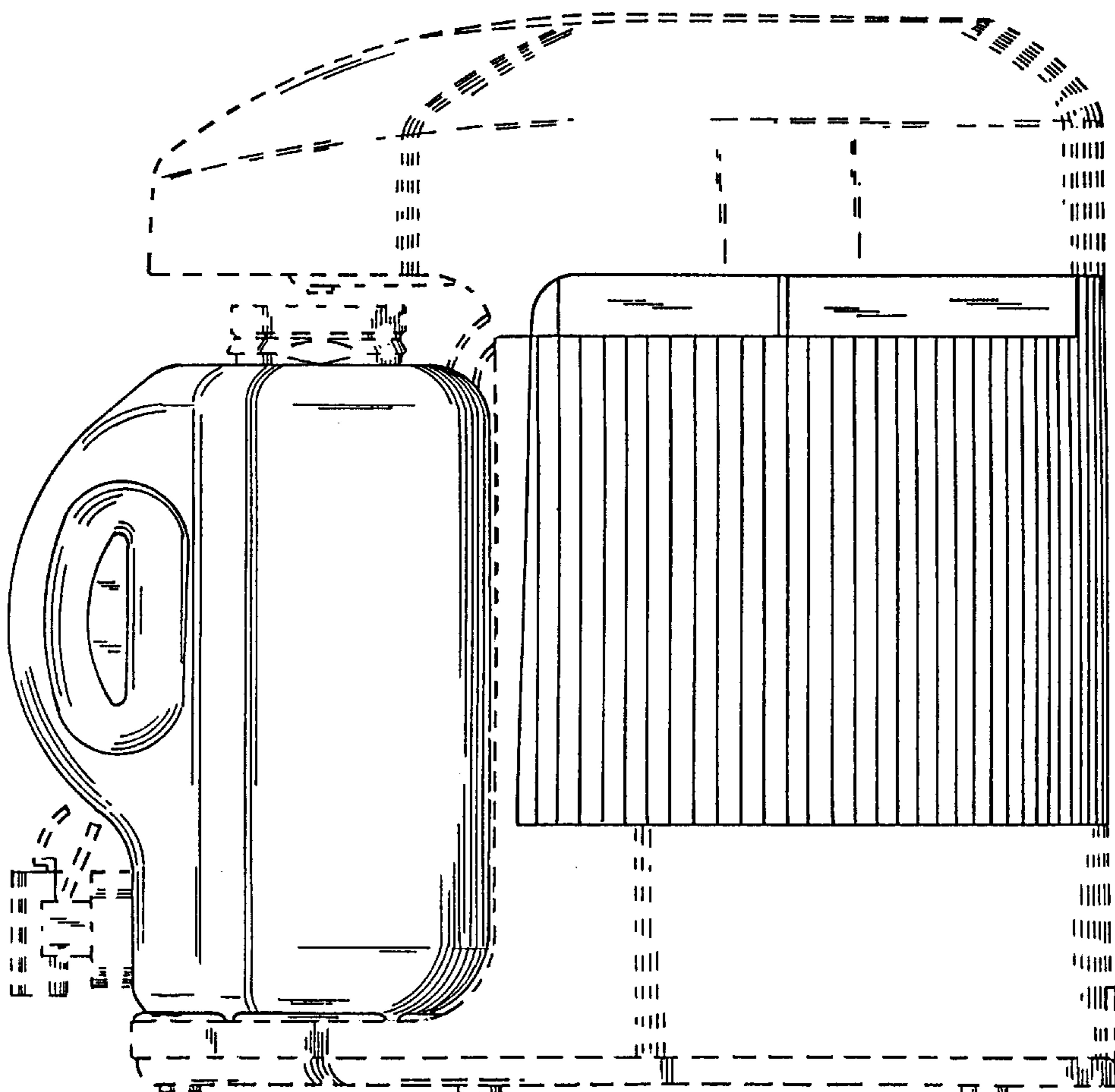
D. 196,108	8/1963	Gerber	D23/207
D. 295,656	5/1988	Bond et al.	D23/207
D. 319,752	9/1991	Adams et al.	D7/309
4,269,663	5/1981	McFee	202/83
4,342,623	8/1982	Loeffler	202/185.5
4,818,344	4/1989	Glucksman	202/266

FIG. 4 is a top plan view of the distiller shown in FIGS. 1-3; and,

FIG. 5 is a bottom plan view of the distiller shown in FIGS. 1-4.

The broken lines on portions of the distiller are for the purpose of illustrating unclaimed environmental structure only.

1 Claim, 5 Drawing Sheets



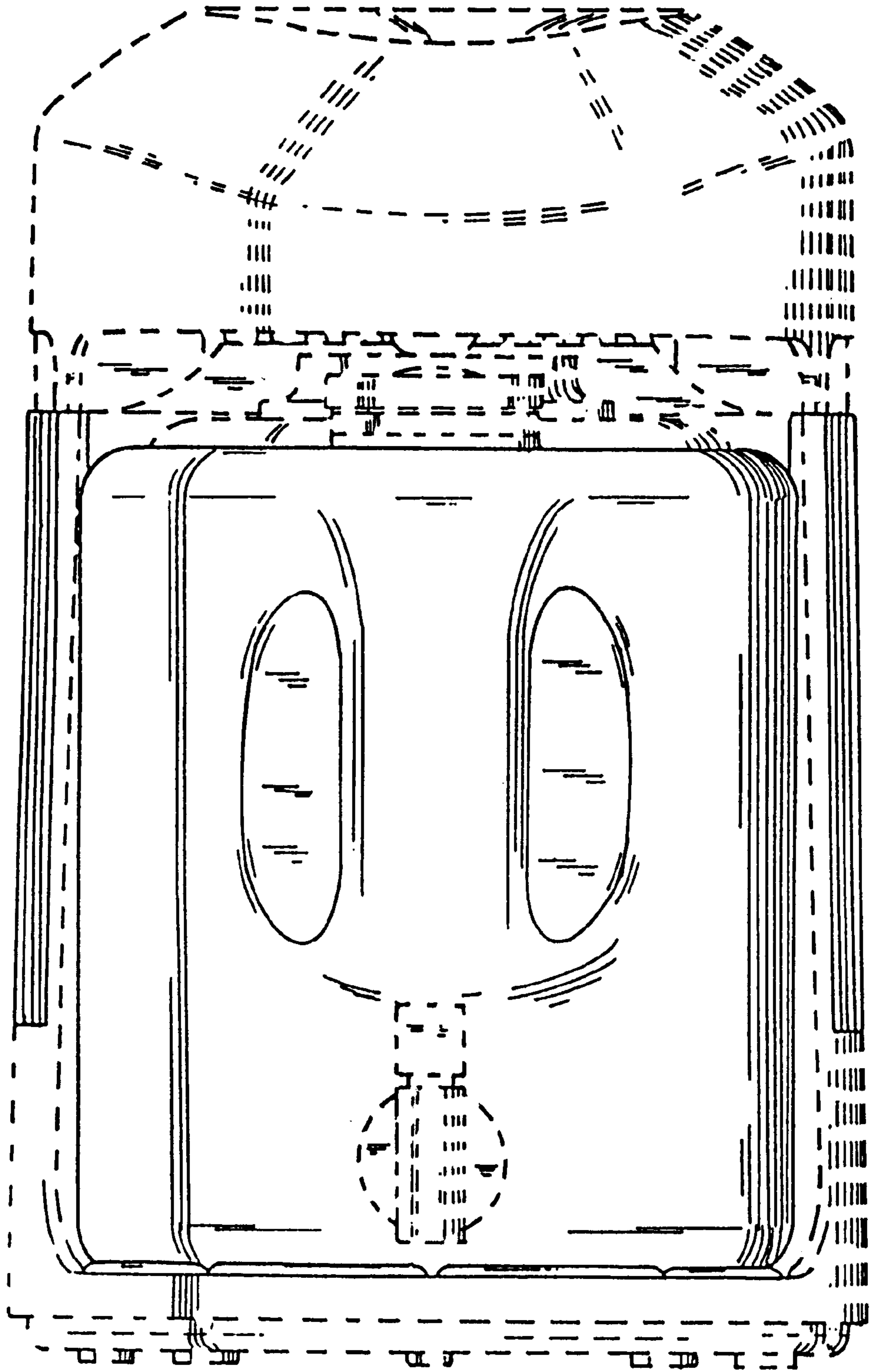


Fig 1

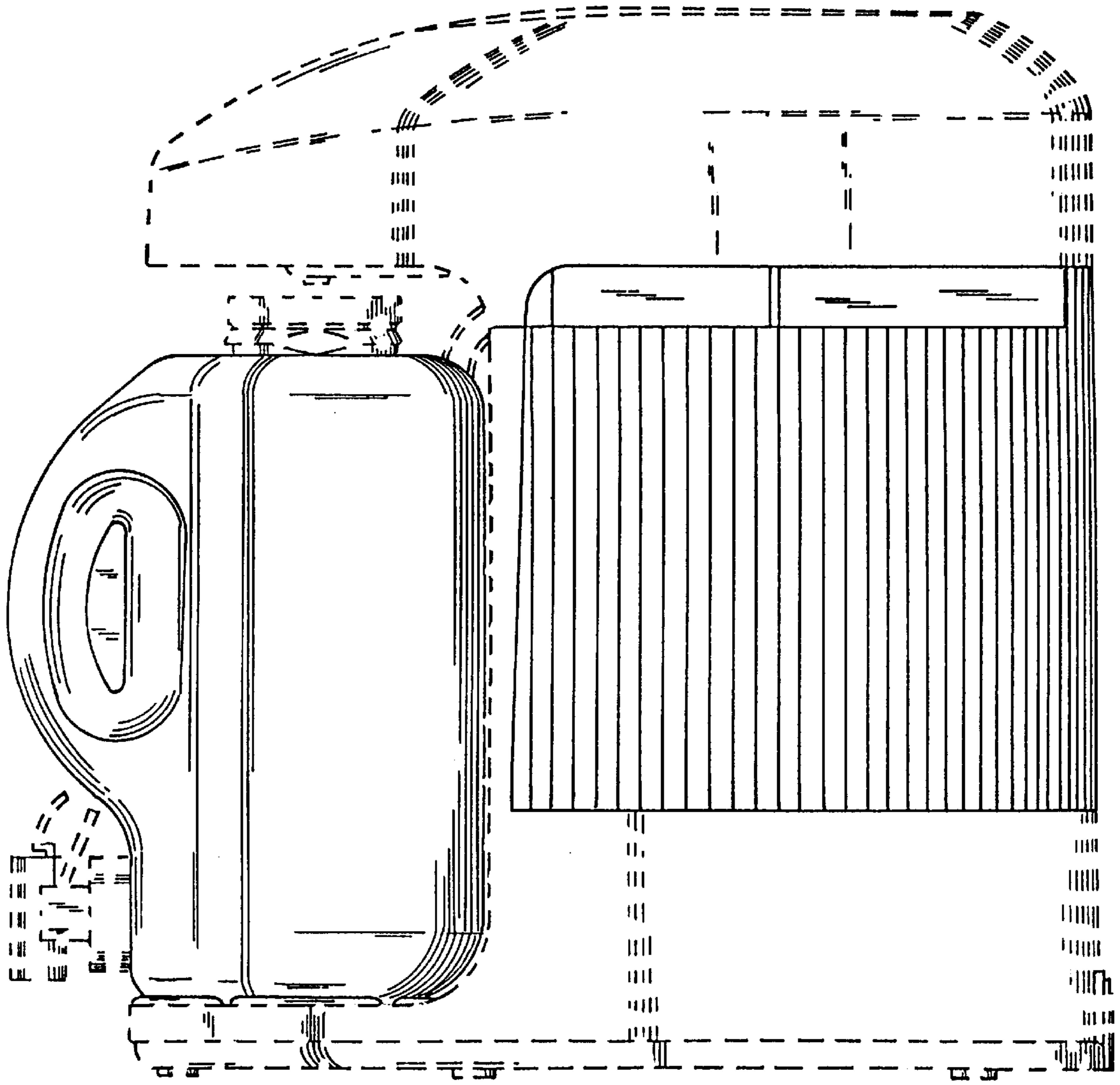


Fig 2

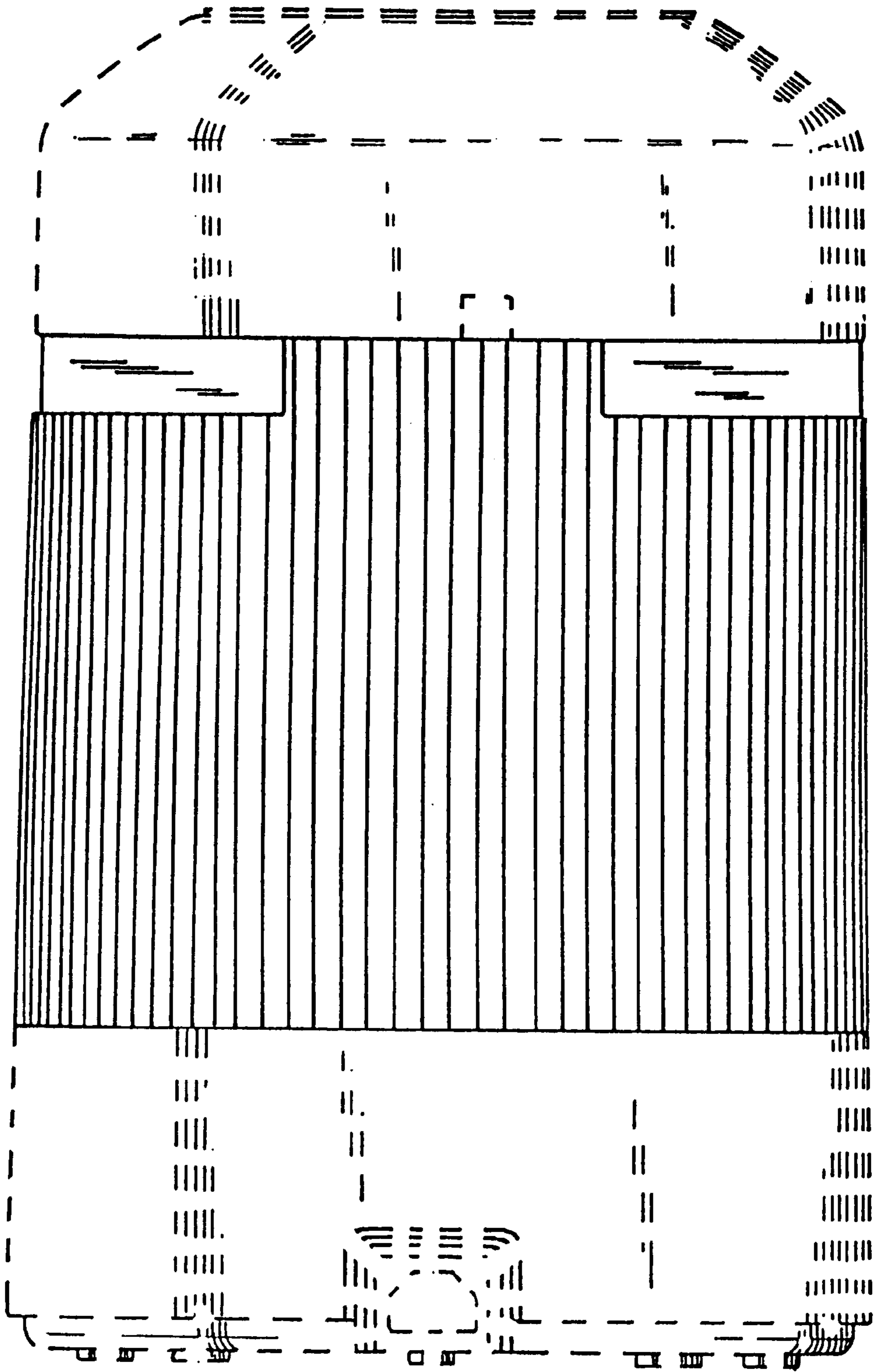


Fig. 3

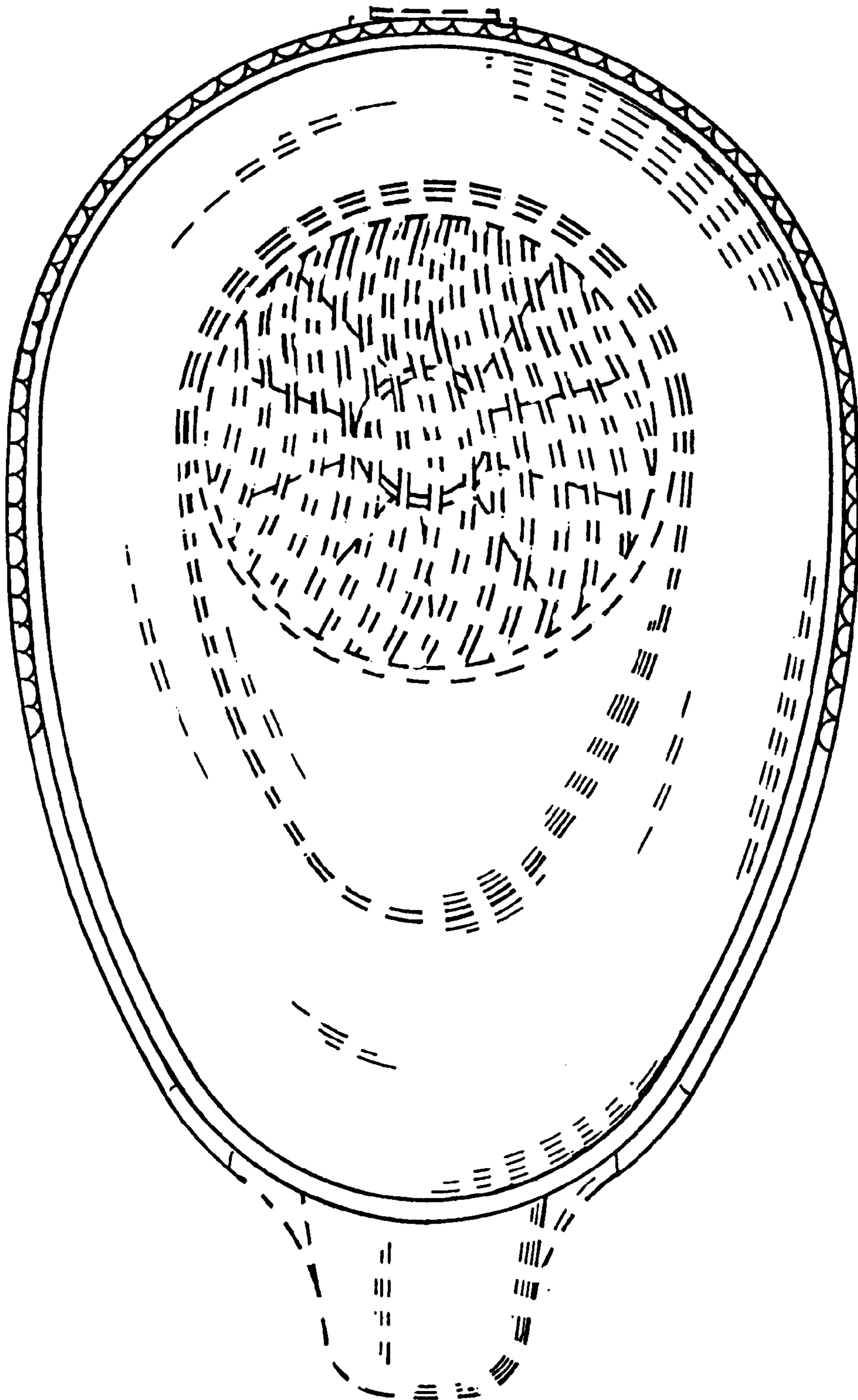


Fig. 4

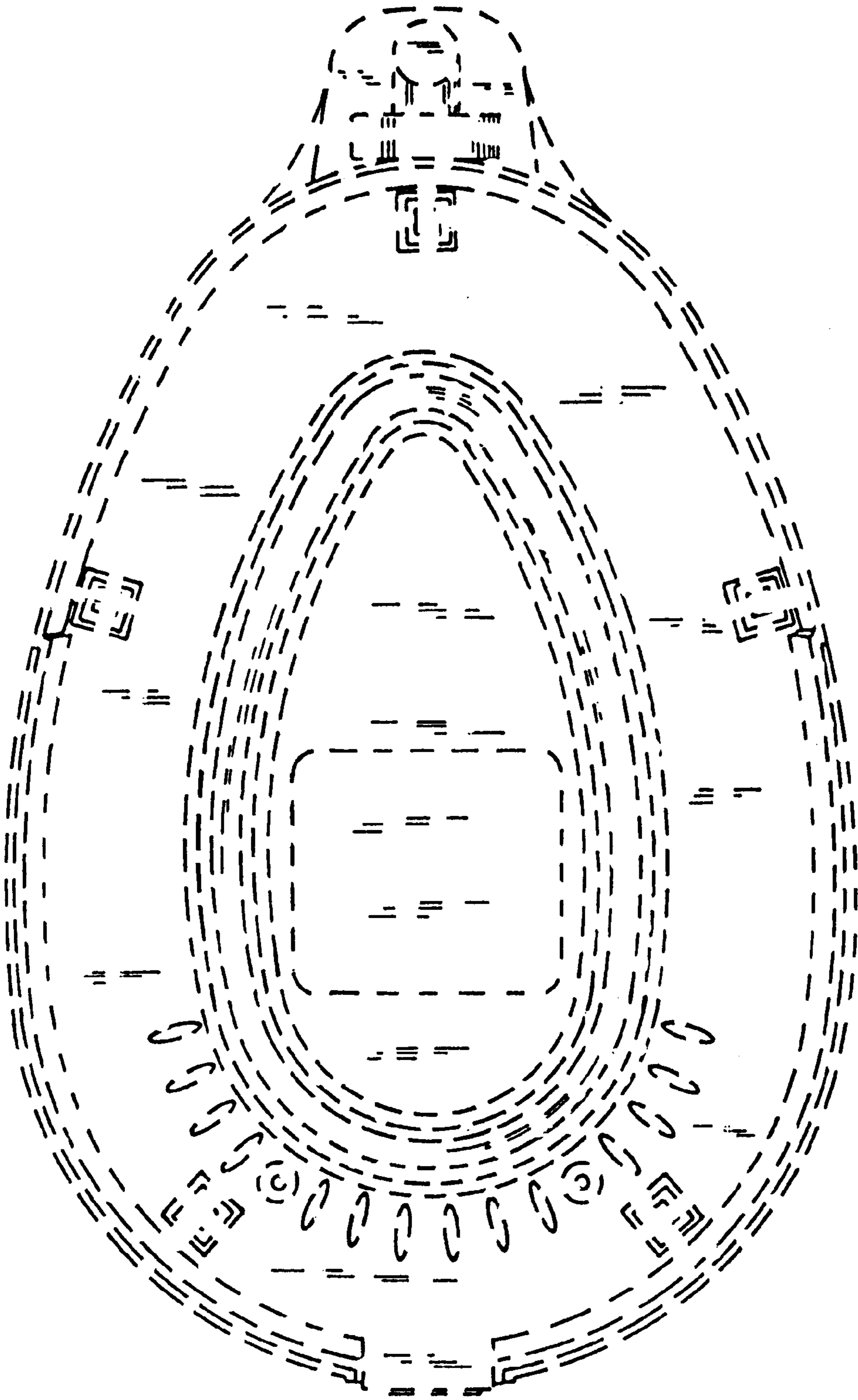


Fig 5