



US00D420423S

United States Patent [19] Blount

[11] Patent Number: Des. 420,423

[45] Date of Patent: ** Feb. 8, 2000

[54] WATER DISPLAY SYSTEM

[76] Inventor: Stanley L. Blount, 6005 Golden Saddle St., Las Vegas, Nev. 89130

[**] Term: 14 Years

[21] Appl. No.: 29/103,435

[22] Filed: Apr. 13, 1999

[51] LOC (7) Cl. 23-01

[52] U.S. Cl. D23/201

[58] Field of Search D23/200, 201;
239/16-20; 40/406, 407, 439

[56] References Cited

U.S. PATENT DOCUMENTS

D. 192,406	3/1962	Coates	D23/201
D. 394,487	5/1998	Wilson	D23/201
3,644,726	2/1972	Pfeuffer	40/406
4,265,402	5/1981	Tsai	239/20
4,693,025	9/1987	Landin	.	
4,892,250	1/1990	Fuller et al.	239/18
5,106,660	4/1992	Vorel	.	
5,167,993	12/1992	Aoyagi	.	
5,228,225	7/1993	Lee	40/439
5,288,018	2/1994	Chikazumi	239/20
5,363,577	11/1994	Fuller et al.	.	
5,636,669	6/1997	Price	.	

5,683,174 11/1997 Lean, Jr. .

OTHER PUBLICATIONS

U.S. application No. 09/216,889, a utility application filed by the applicant on Dec. 18, 1998.

Primary Examiner—Robin V. Taylor
Attorney, Agent, or Firm—Kenneth L Tolar

[57] CLAIM

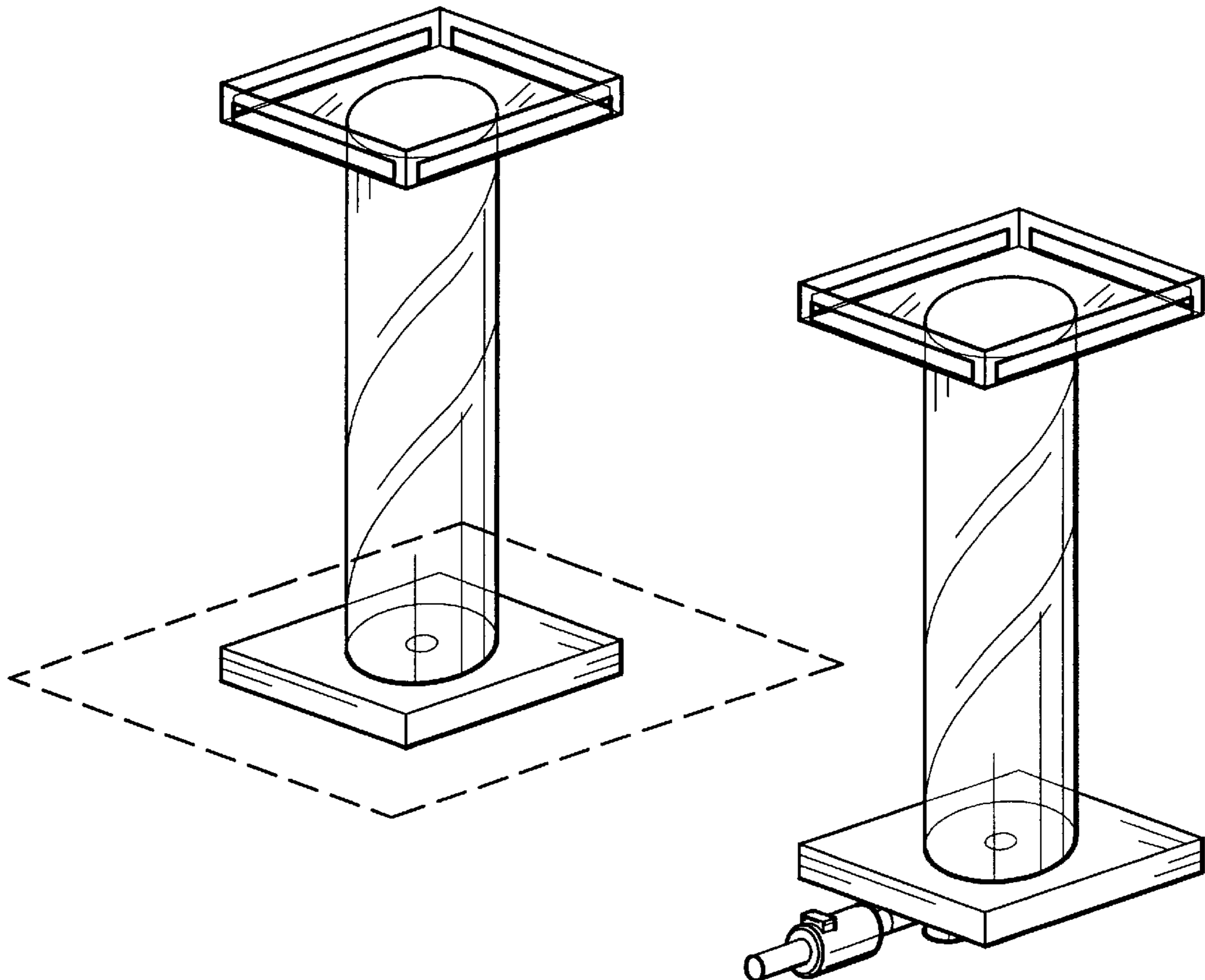
The ornamental design for a water display system, as shown and described.

DESCRIPTION

FIG. 1 is a perspective view of the display system installed on the bottom of a swimming pool, the swimming pool bottom depicted in phantom and forms no part of the claimed design. The water distribution equipment and piping is installed beneath the pool bottom and is therefore concealed.

FIG. 2 is a perspective view of the water display system. FIG. 3 is a top view of the water display system. FIG. 4 is a bottom view of the water display system. FIG. 5 is a front view of the water display system. FIG. 6 is a rear view of the water display system. FIG. 7 is a left side view of the water display system; and, FIG. 8 is a right side view of the water display system.

1 Claim, 2 Drawing Sheets



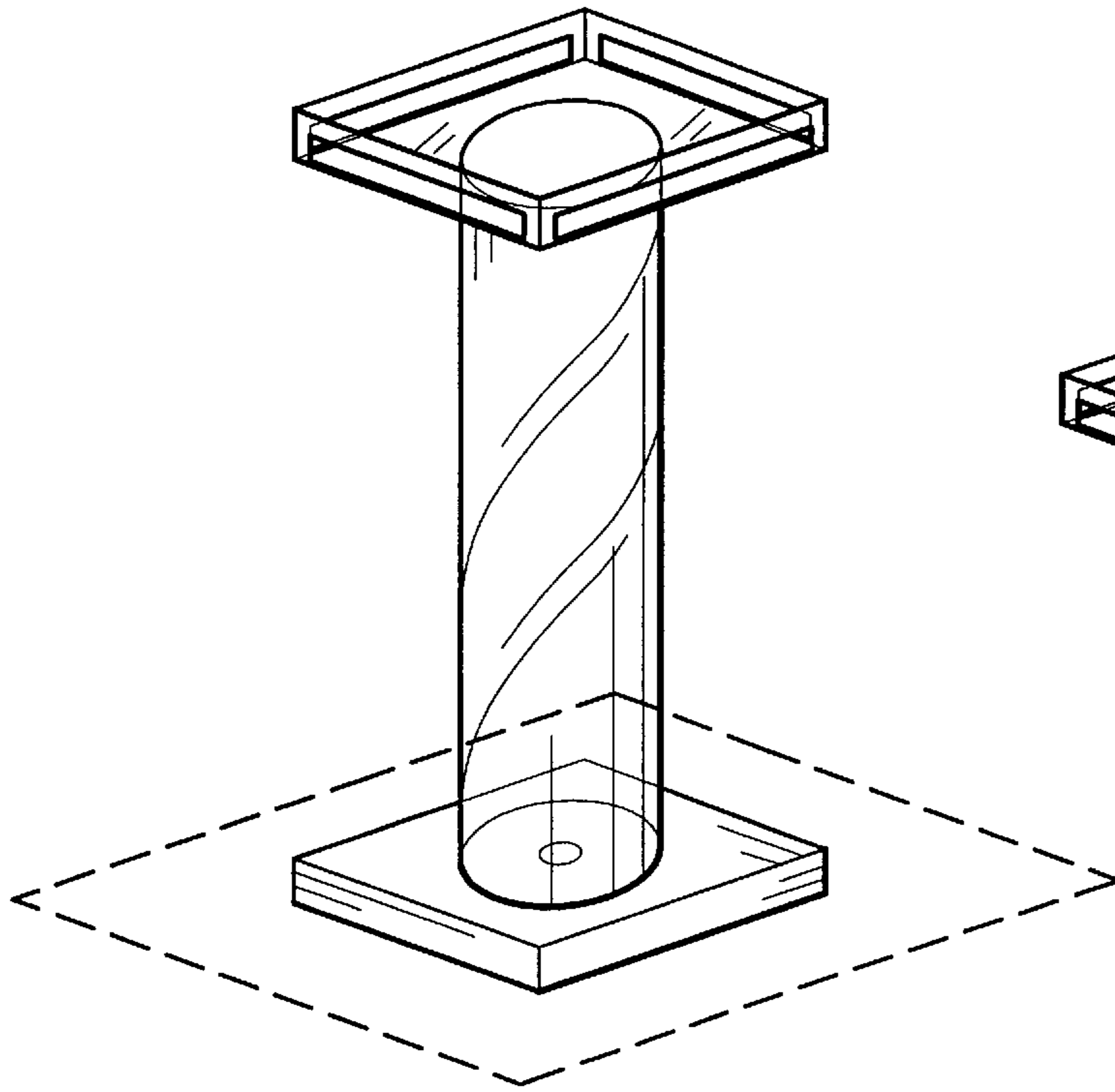


FIG. 1

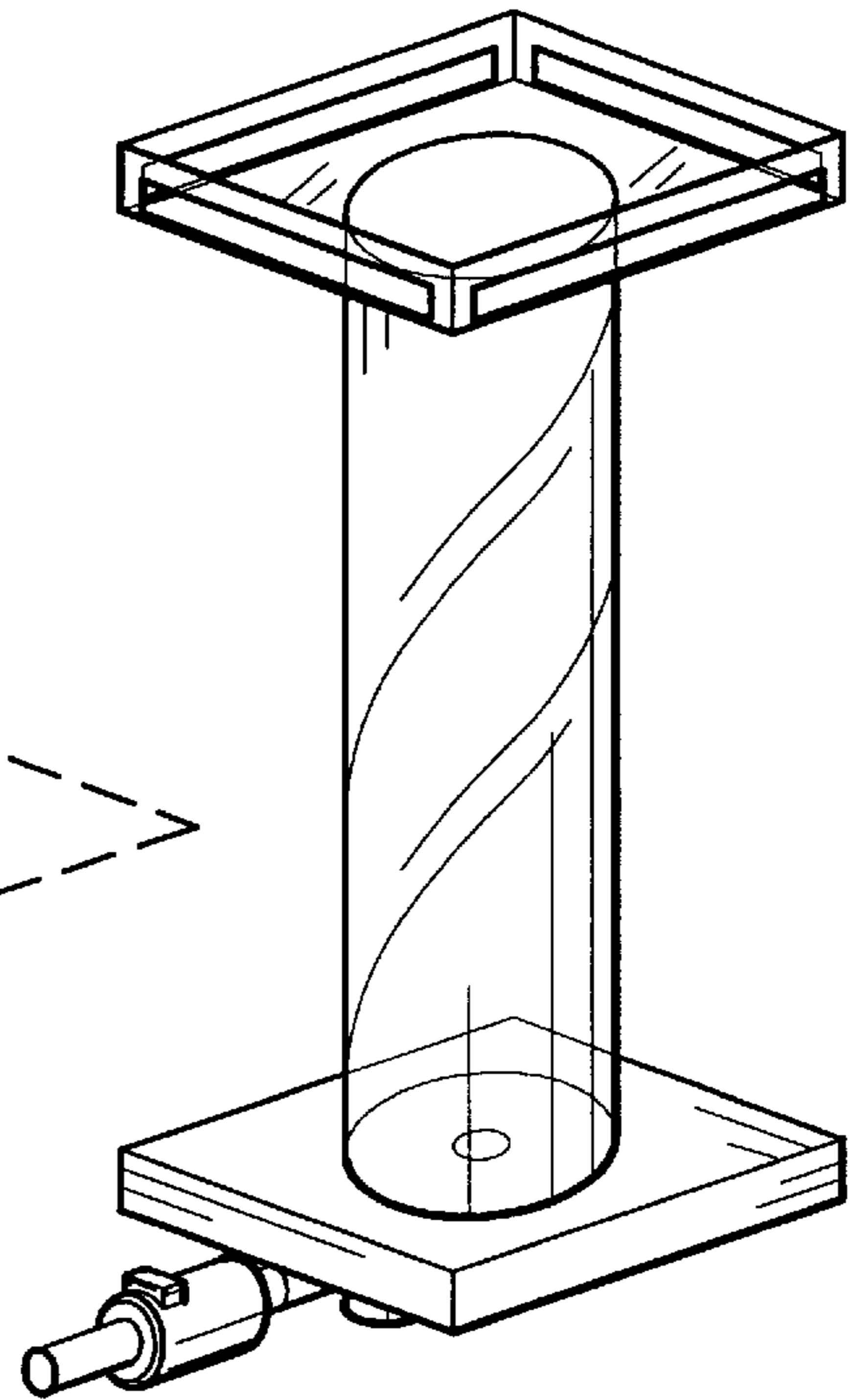


FIG. 2

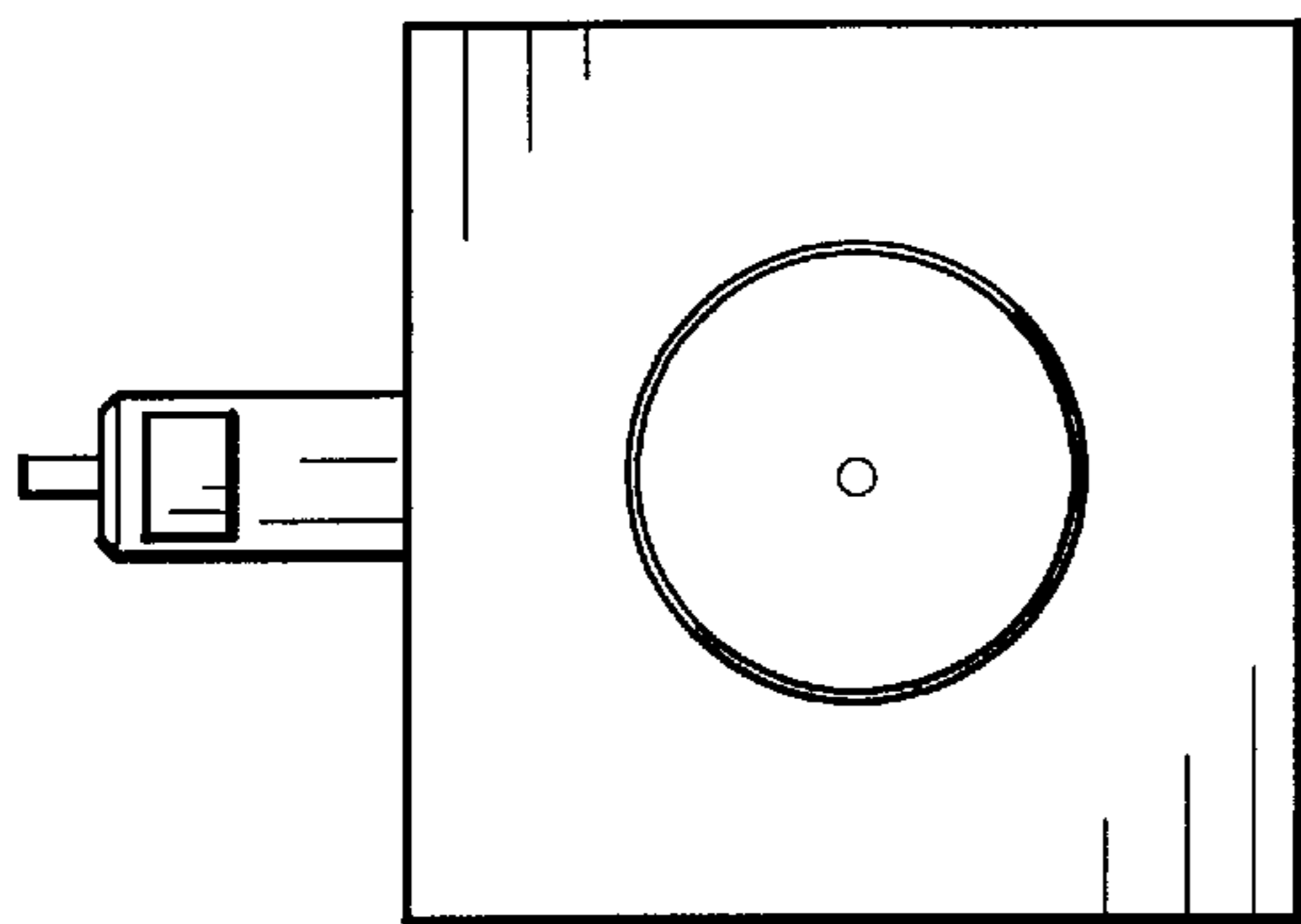


FIG. 3

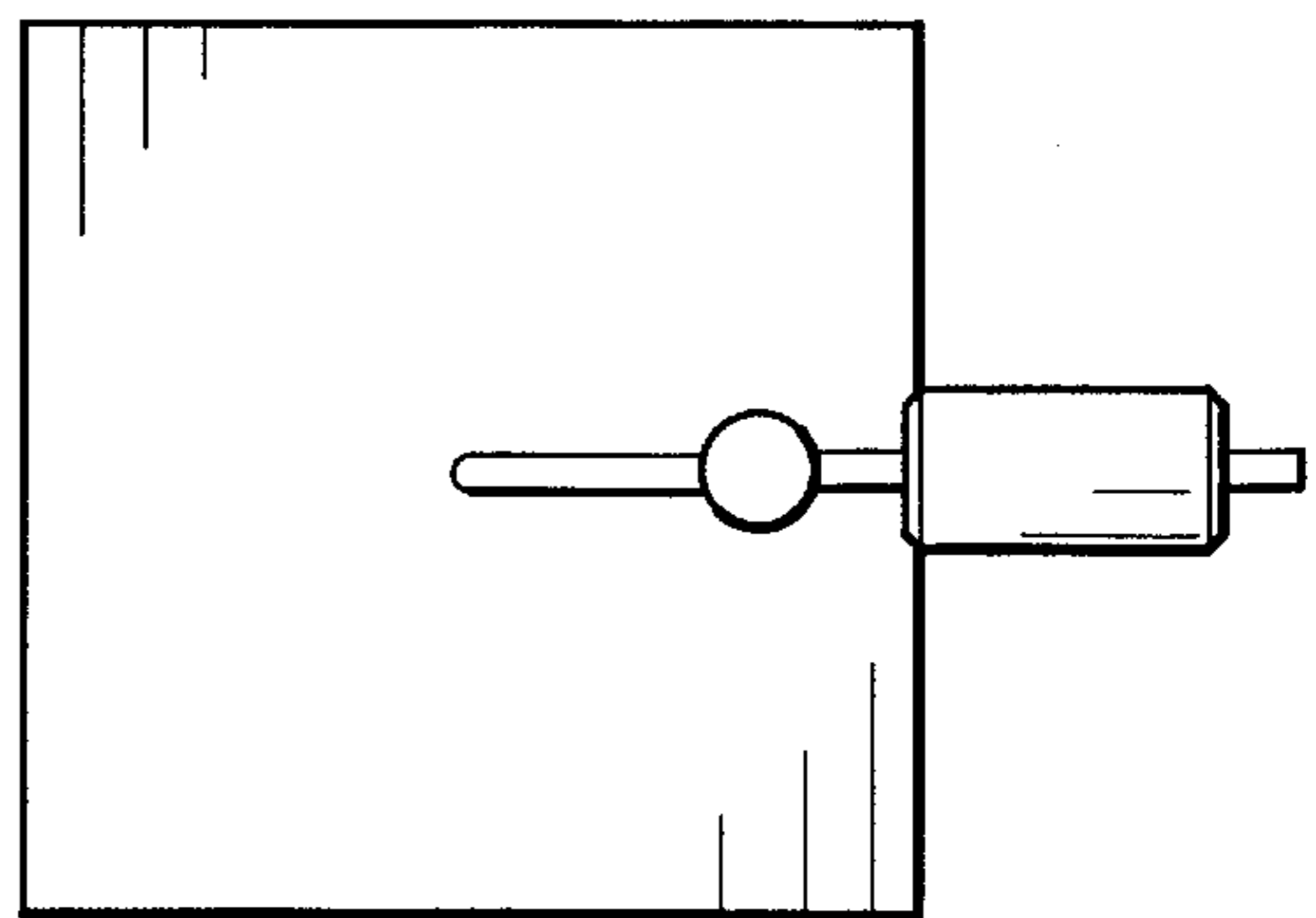


FIG. 4

