



US00D420422S

United States Patent [19] Blount

[11] **Patent Number: Des. 420,422**

[45] **Date of Patent: ** Feb. 8, 2000**

[54] **WATER DISPLAY SYSTEM**

5,683,174 11/1997 Lena, Jr. .

[76] Inventor: **Stanley L. Blount**, 6005 Golden Saddle St., Las Vegas, Nev. 89130

OTHER PUBLICATIONS

Application serial No. 09/216,889, a utility application filed by the applicant on Dec. 18, 1998.

[**] Term: **14 Years**

Primary Examiner—Robin V. Taylor
Attorney, Agent, or Firm—Kenneth L Tolar

[21] Appl. No.: **29/103,352**

[22] Filed: **Apr. 13, 1999**

[57] **CLAIM**

The ornamental design for a water display system, as shown and described.

[51] **LOC (7) Cl.** **23-01**

[52] **U.S. Cl.** **D23/201**

[58] **Field of Search** D23/200, 207;
239/16-20; 40/406, 407, 439

DESCRIPTION

FIG. 1 is a perspective view of the display system installed within a window with the surrounding wall depicted in phantom and forming no part of the claimed design; the distribution piping is installed behind the wall and is therefore concealed.

FIG. 2 is a perspective view of the entire display system.

FIG. 3 is a top view of the display system.

FIG. 4 is a bottom view of the display system.

FIG. 5 is a left side view of the display system.

FIG. 6 is a right side view of the display system.

FIG. 7 is a front view of the display system; and,

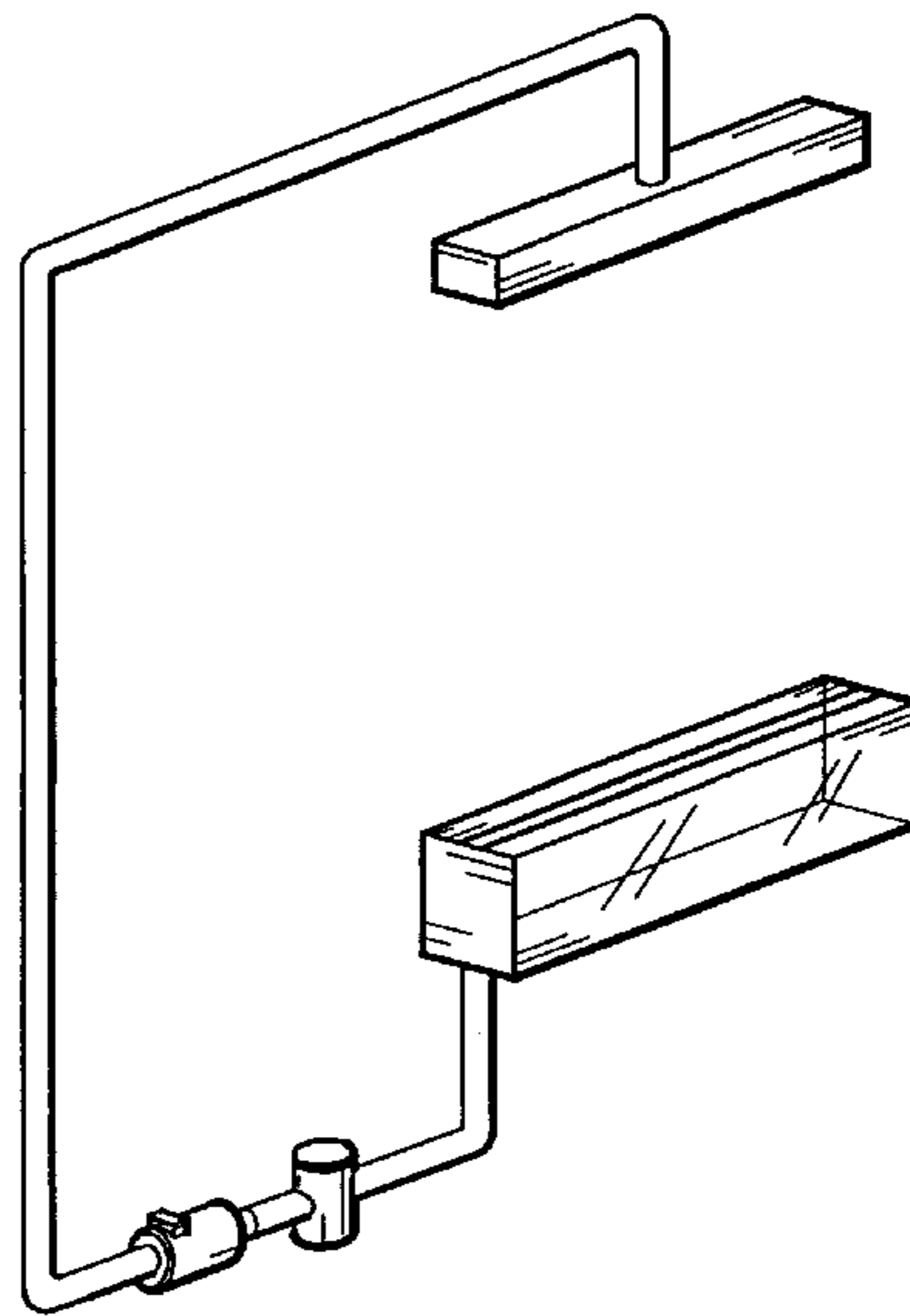
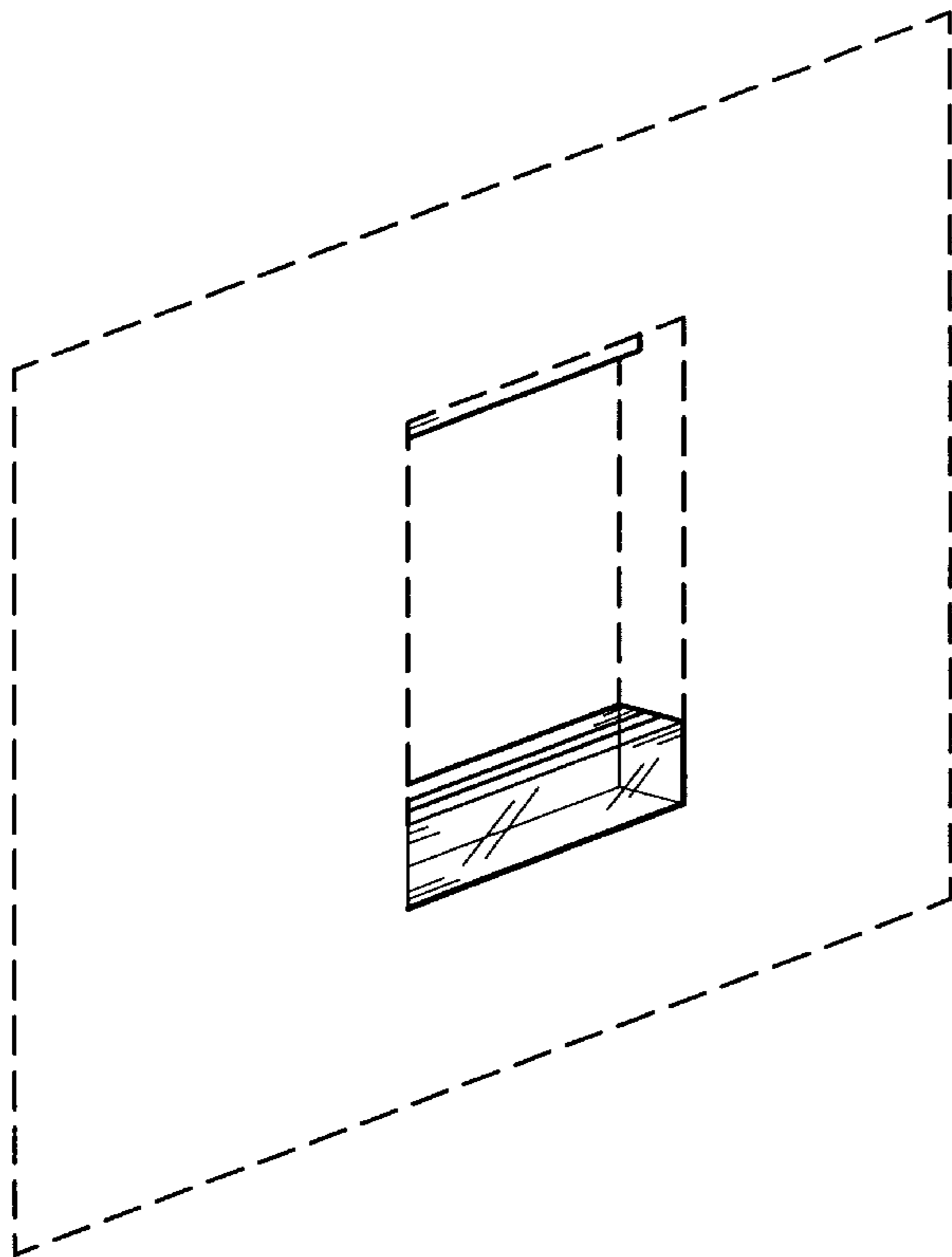
FIG. 8 is a rear view of the display system.

[56] **References Cited**

U.S. PATENT DOCUMENTS

D. 192,406	3/1962	Coates	D23/201
D. 394,487	5/1998	Wilson	D23/201
3,644,726	2/1972	Pfeuffer	40/406
4,265,402	5/1981	Tsai	239/20
4,693,025	9/1987	Landin	.	
4,892,250	1/1990	Fuller et al.	239/18
5,106,660	4/1992	Vorel	.	
5,167,993	12/1992	Aoyagi	.	
5,228,225	7/1993	Lee	40/439
5,288,018	2/1994	Chikazumi	239/20
5,363,577	11/1994	Fuller et al.	.	
5,636,669	6/1997	Price	.	

1 Claim, 3 Drawing Sheets



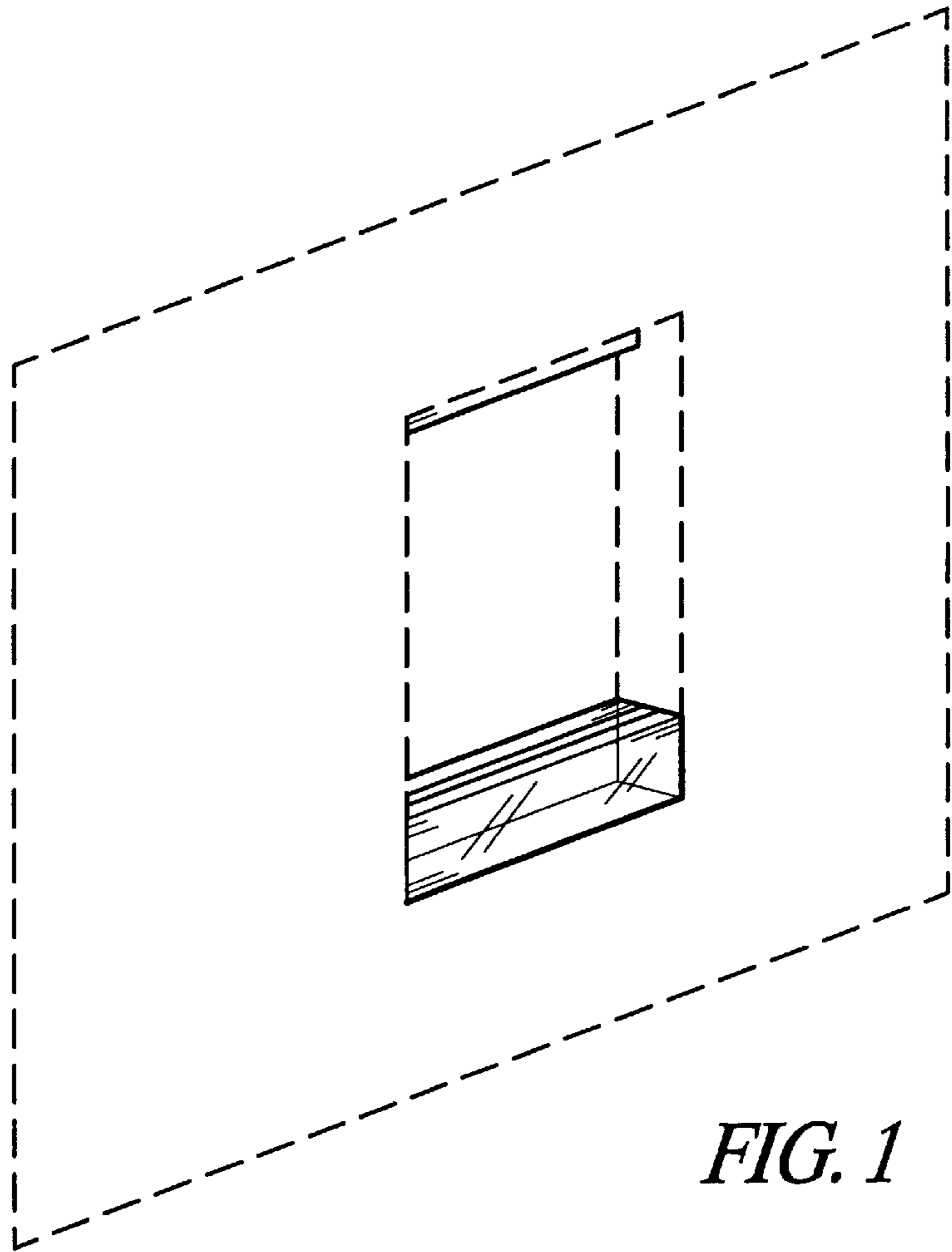


FIG. 1

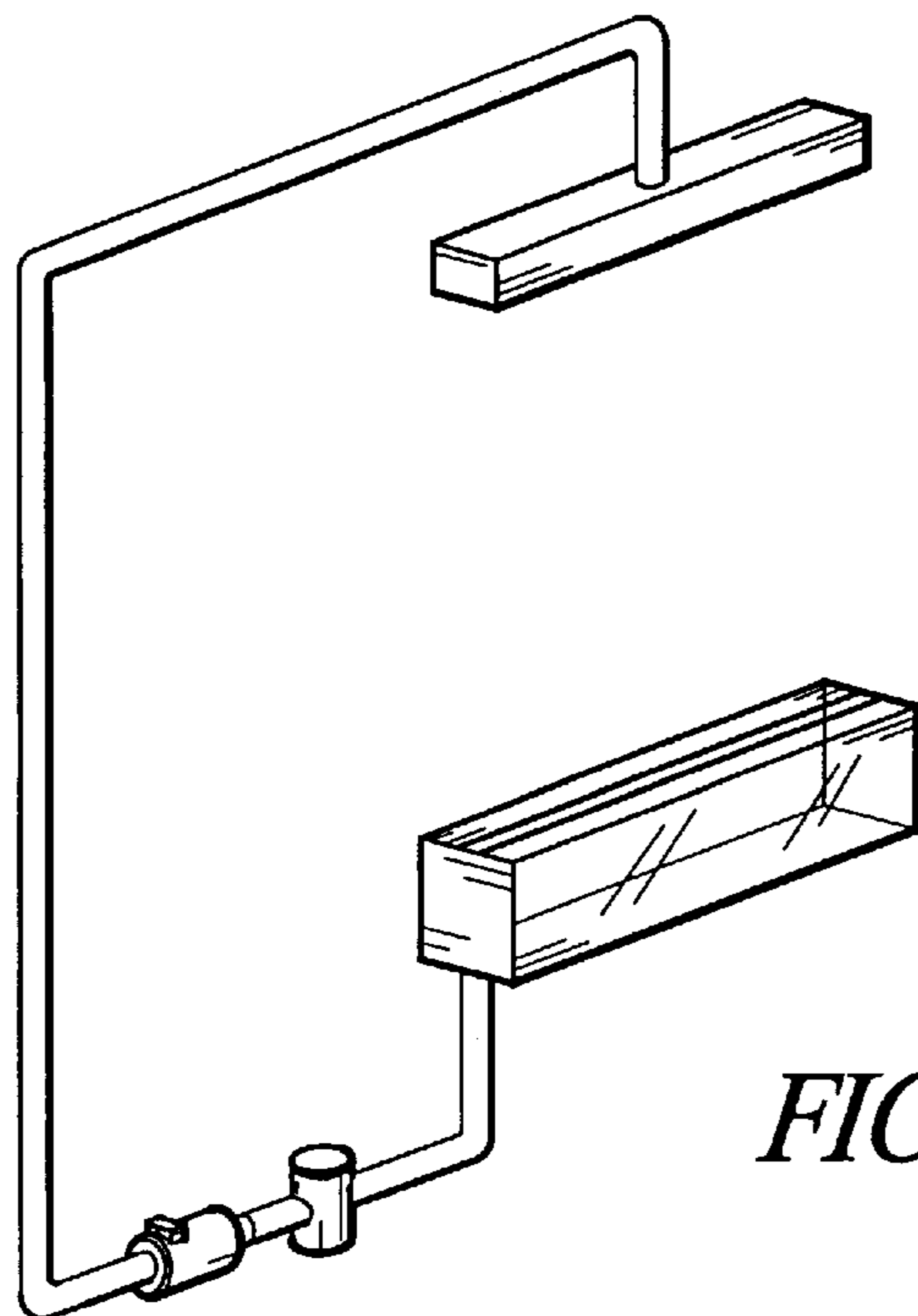


FIG. 2

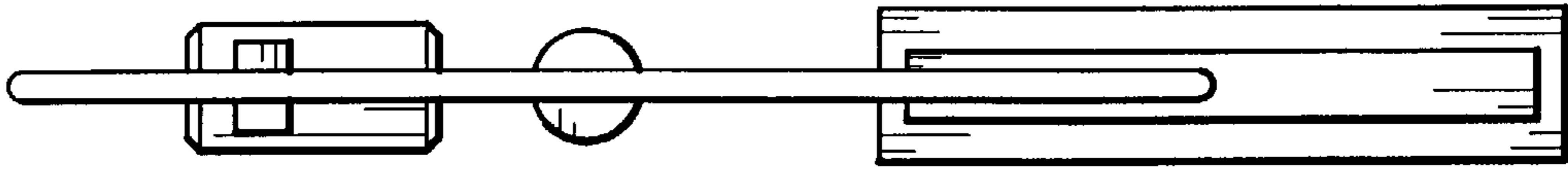


FIG. 3

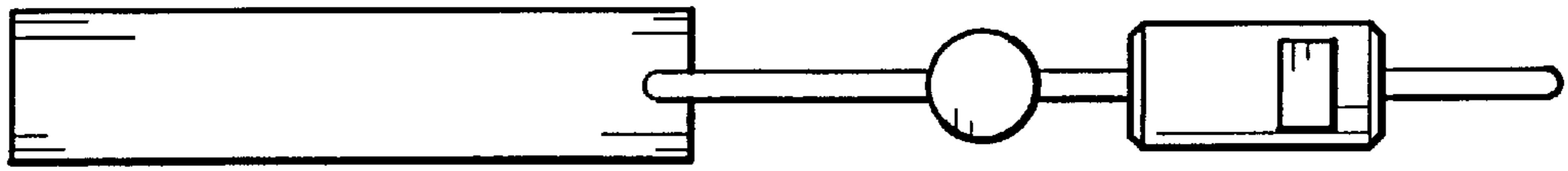


FIG. 4

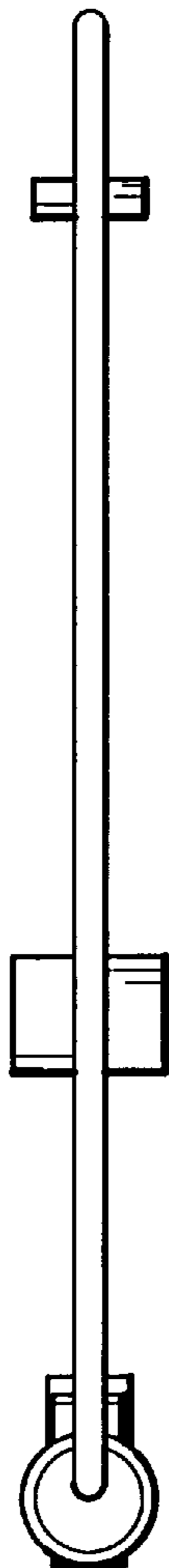


FIG. 5

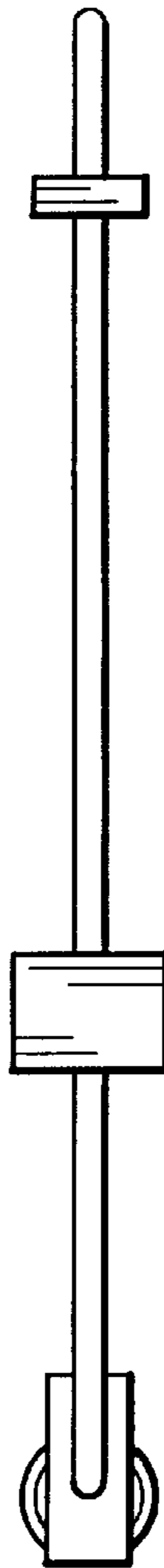


FIG. 6

FIG. 7

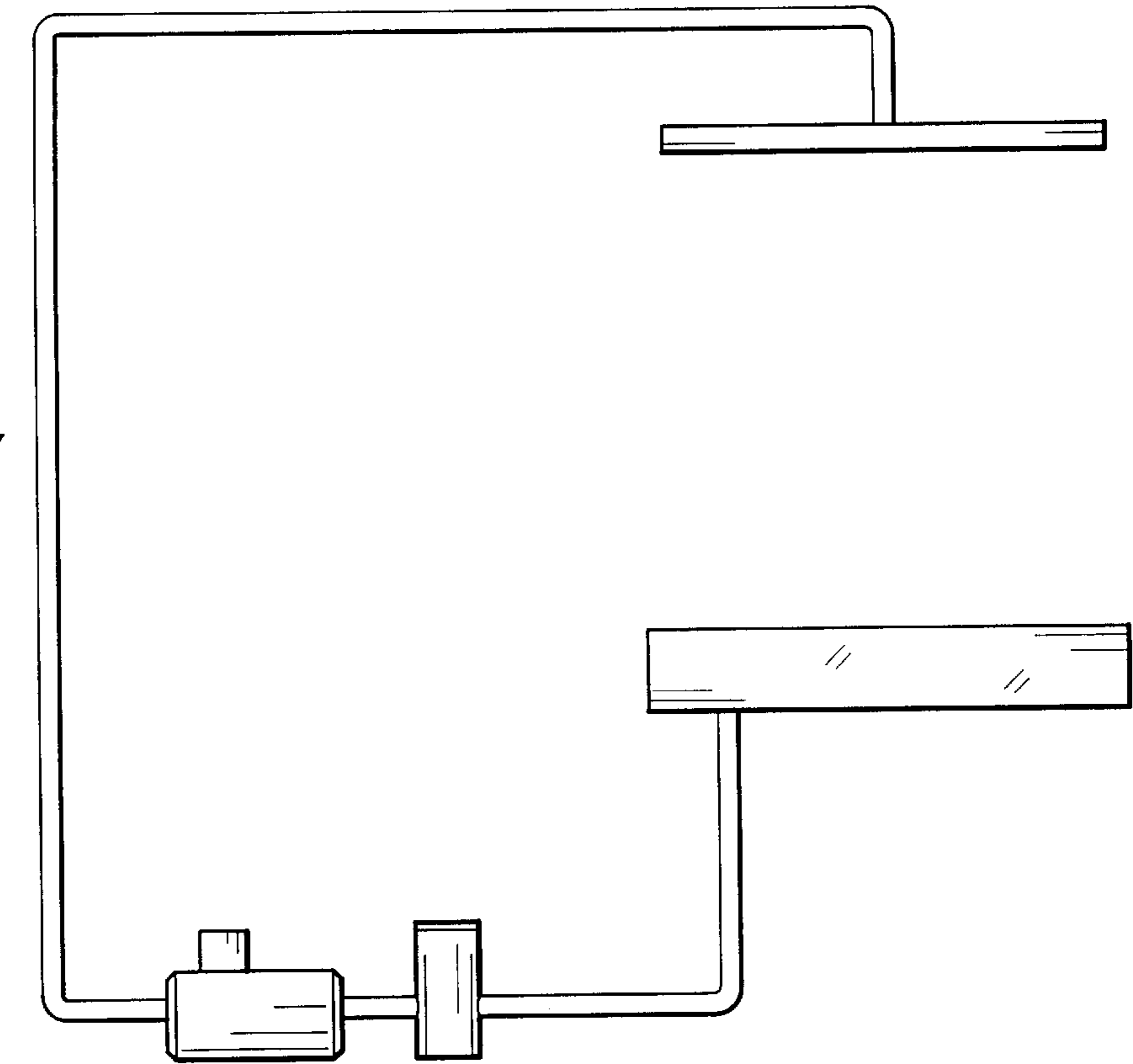


FIG. 8

