



US00D420421S

# United States Patent [19] Blount

[11] **Patent Number: Des. 420,421**  
[45] **Date of Patent: \*\* Feb. 8, 2000**

[54] **WATER DISPLAY DEVICE**  
[76] Inventor: **Stanley L. Blount**, 6005 Golden Saddle St., Las Vegas, Nev. 89130  
[\*\*] Term: **14 Years**  
[21] Appl. No.: **29/103,302**  
[22] Filed: **Apr. 13, 1999**  
[51] **LOC (7) Cl. .... 23-01**  
[52] **U.S. Cl. .... D23/201**  
[58] **Field of Search .... D23/200, 201; 239/16-20; 40/406, 407, 439**

5,636,669 6/1997 Price .  
5,683,174 11/1997 Lena, Jr. .

### OTHER PUBLICATIONS

Application serial No. 09/216,889, a utility application filed by the applicant on Dec. 18, 1998.

*Primary Examiner*—Robin V. Taylor  
*Attorney, Agent, or Firm*—Kenneth L. Taylor

### [57] CLAIM

The ornamental design for a water display device, as shown and described.

### DESCRIPTION

FIG. 1 is a perspective view of the water display device illustrated within four corners of a room with the distribution piping concealed behind and beneath the ceiling, wall and floor which are shown in phantom and forms no part of the claimed design;

FIG. 2 is a perspective, isolated view of the display device.

FIG. 3 is a top view of the display device.

FIG. 4 is a front view of the display device.

FIG. 5 is a right side view of the display device.

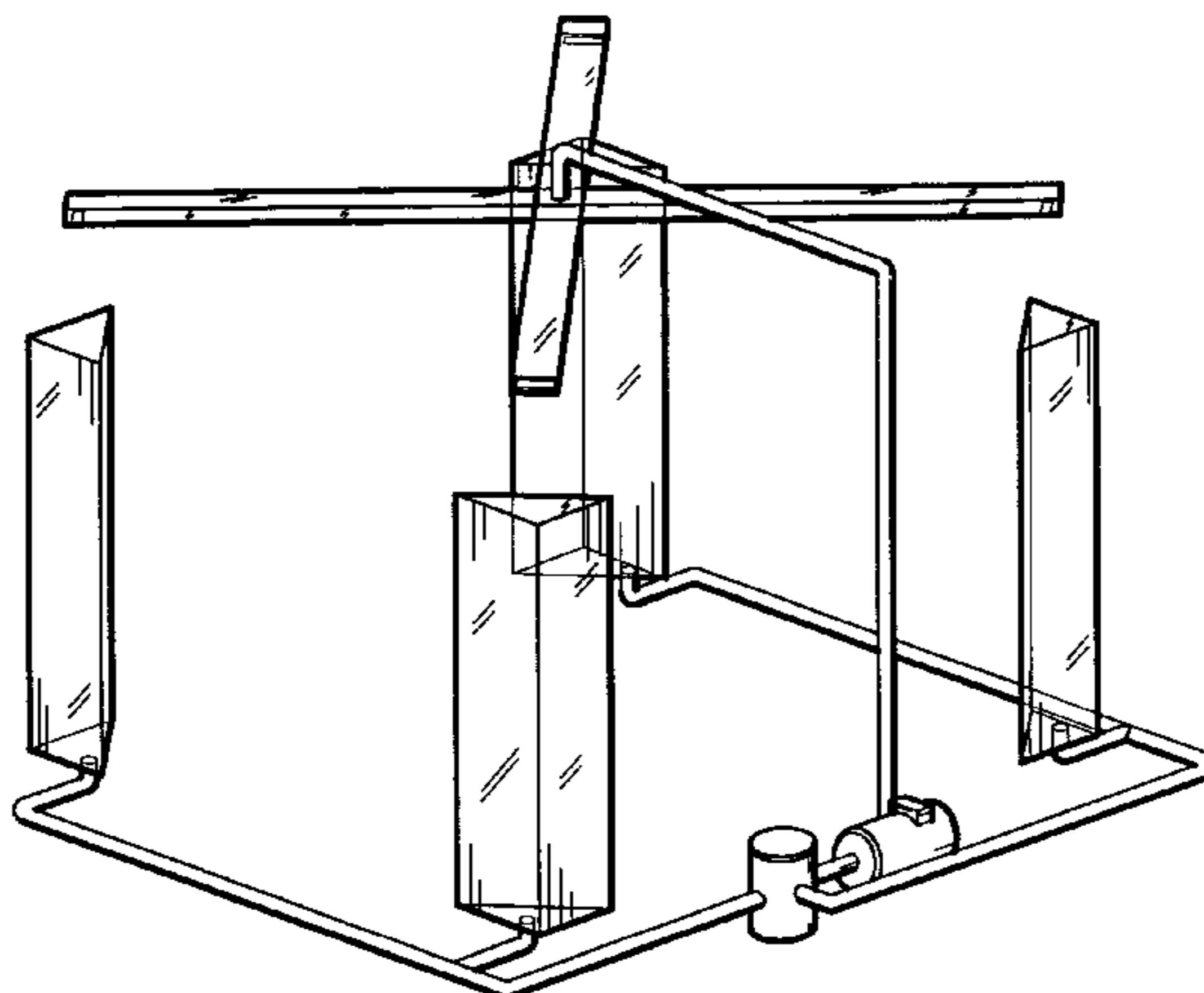
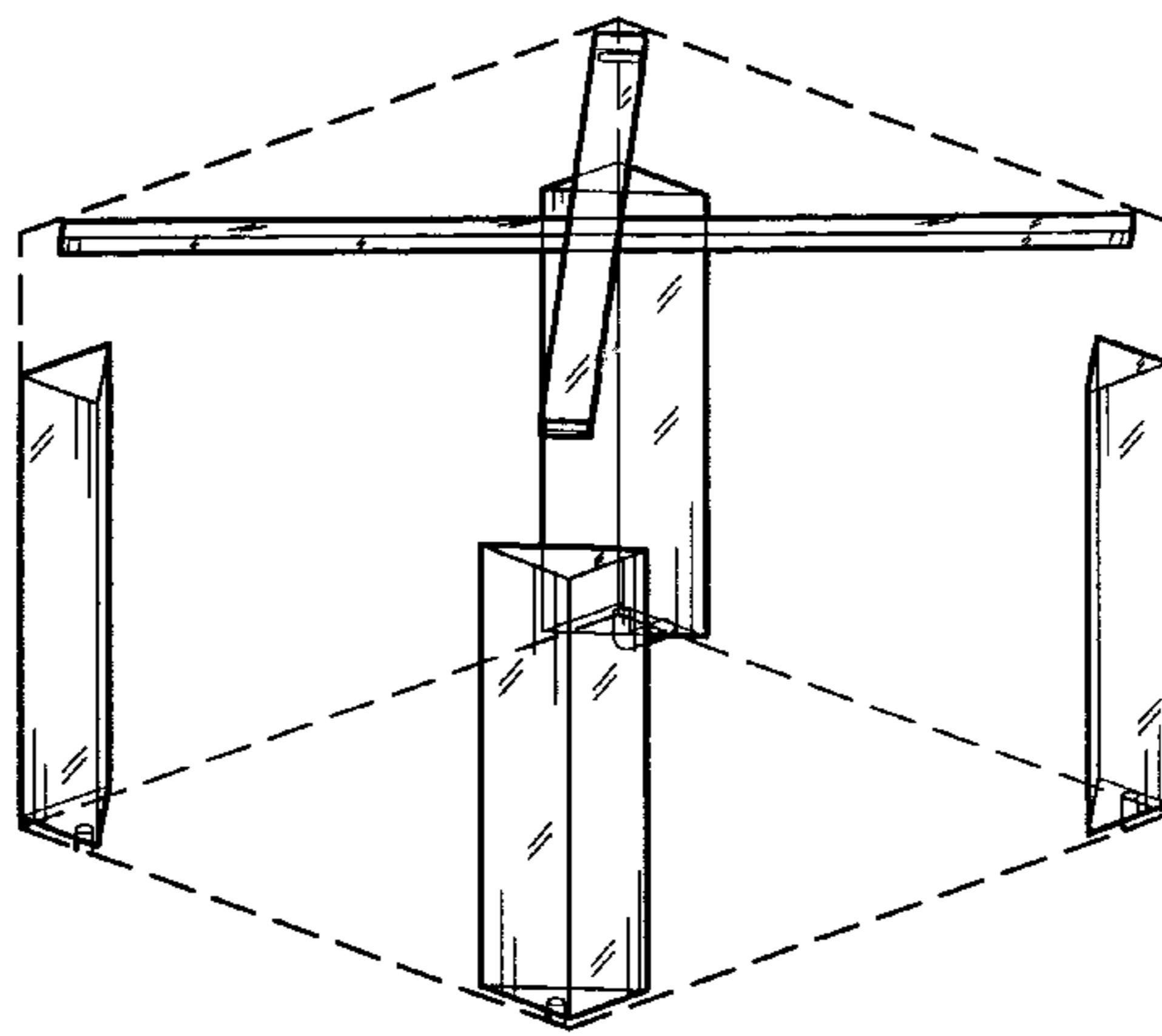
FIG. 6 is a left side view of the display device; and,

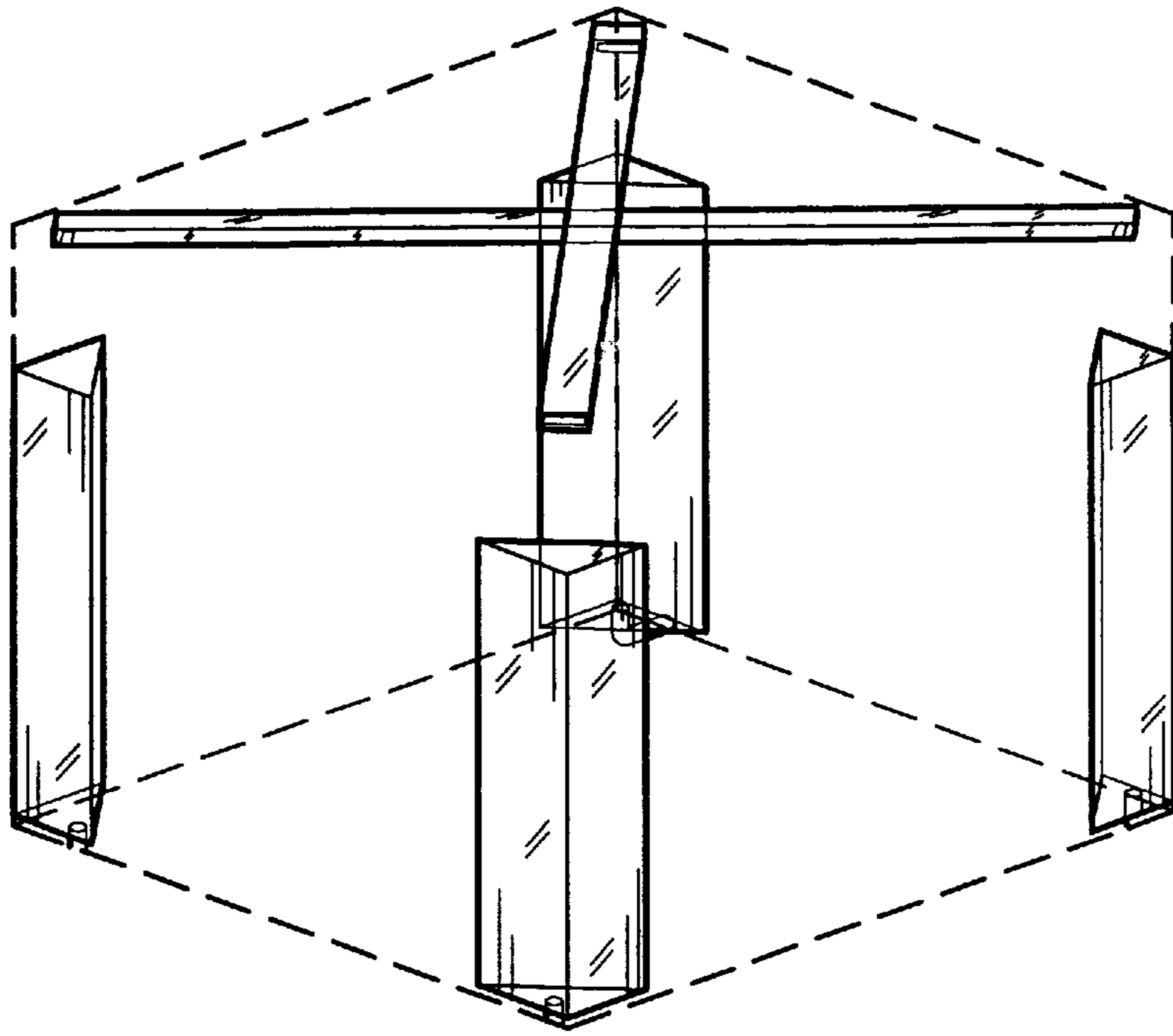
FIG. 7 is a bottom view of the display device.

### [56] References Cited U.S. PATENT DOCUMENTS

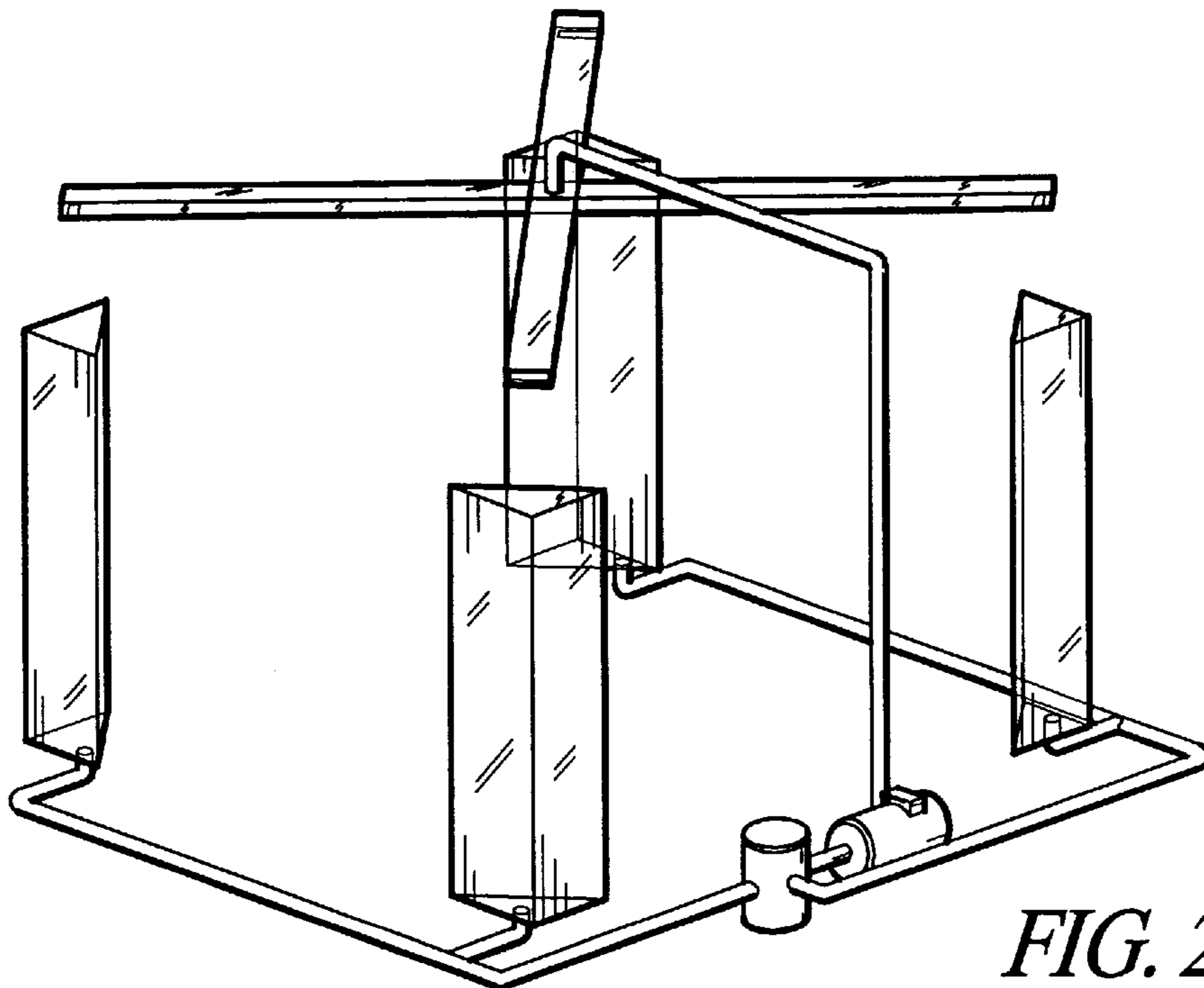
D. 192,406	3/1962	Coates	.....	D23/201
D. 394,487	5/1998	Wilson	.....	D23/201
3,644,726	2/1972	Pfeuffer	.....	40/406
4,265,402	5/1981	Tsai	.....	239/20
4,693,025	9/1987	Landin	.	
4,892,250	1/1990	Fuller et al.	.....	239/18
5,106,660	4/1992	Vorel	.	
5,167,993	12/1992	Aoyagi	.	
5,228,225	7/1993	Lee	.....	40/439
5,288,018	2/1994	Chikazumi	.....	239/20
5,363,577	11/1994	Fuller et al.	.	

**1 Claim, 4 Drawing Sheets**

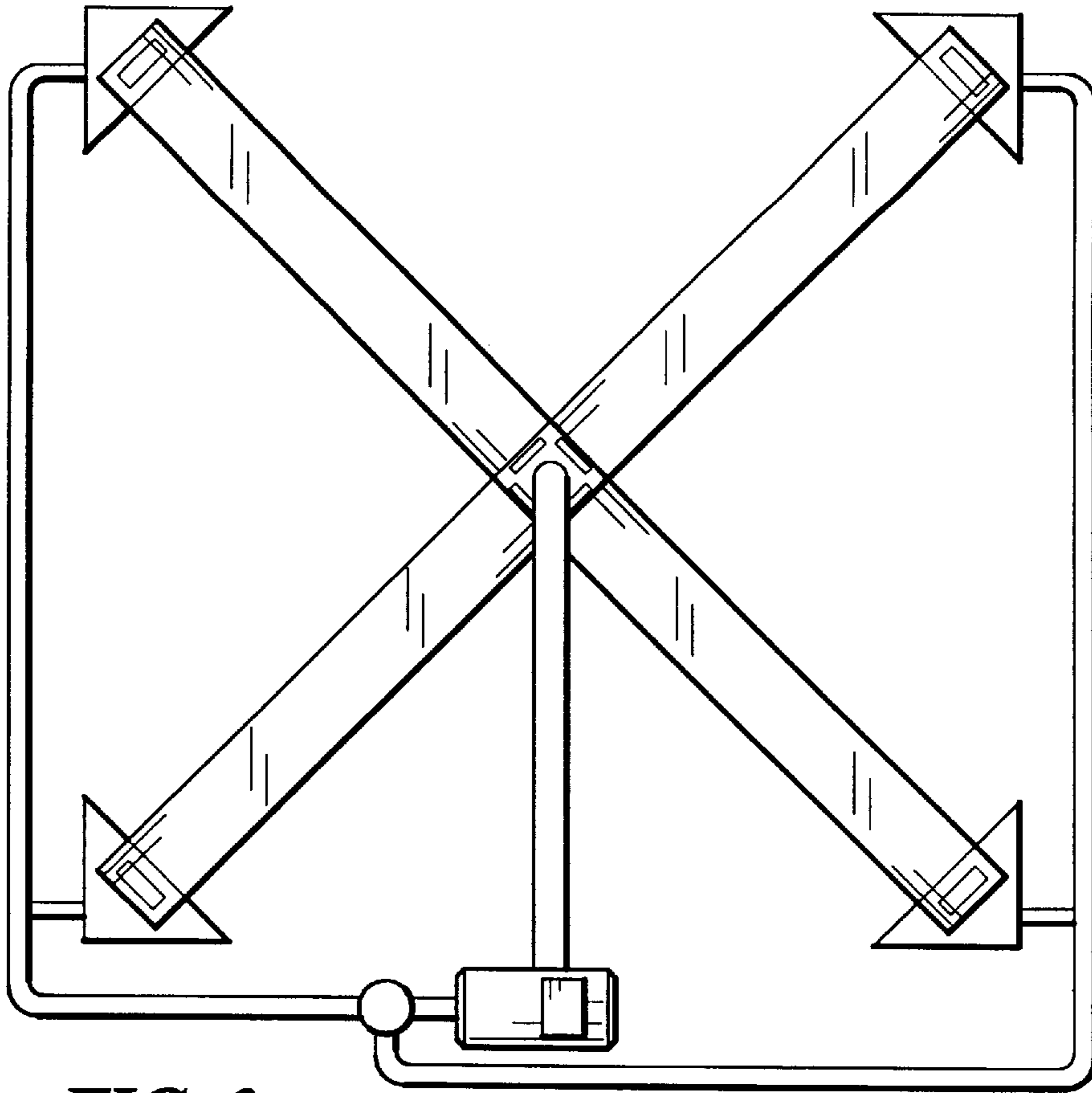




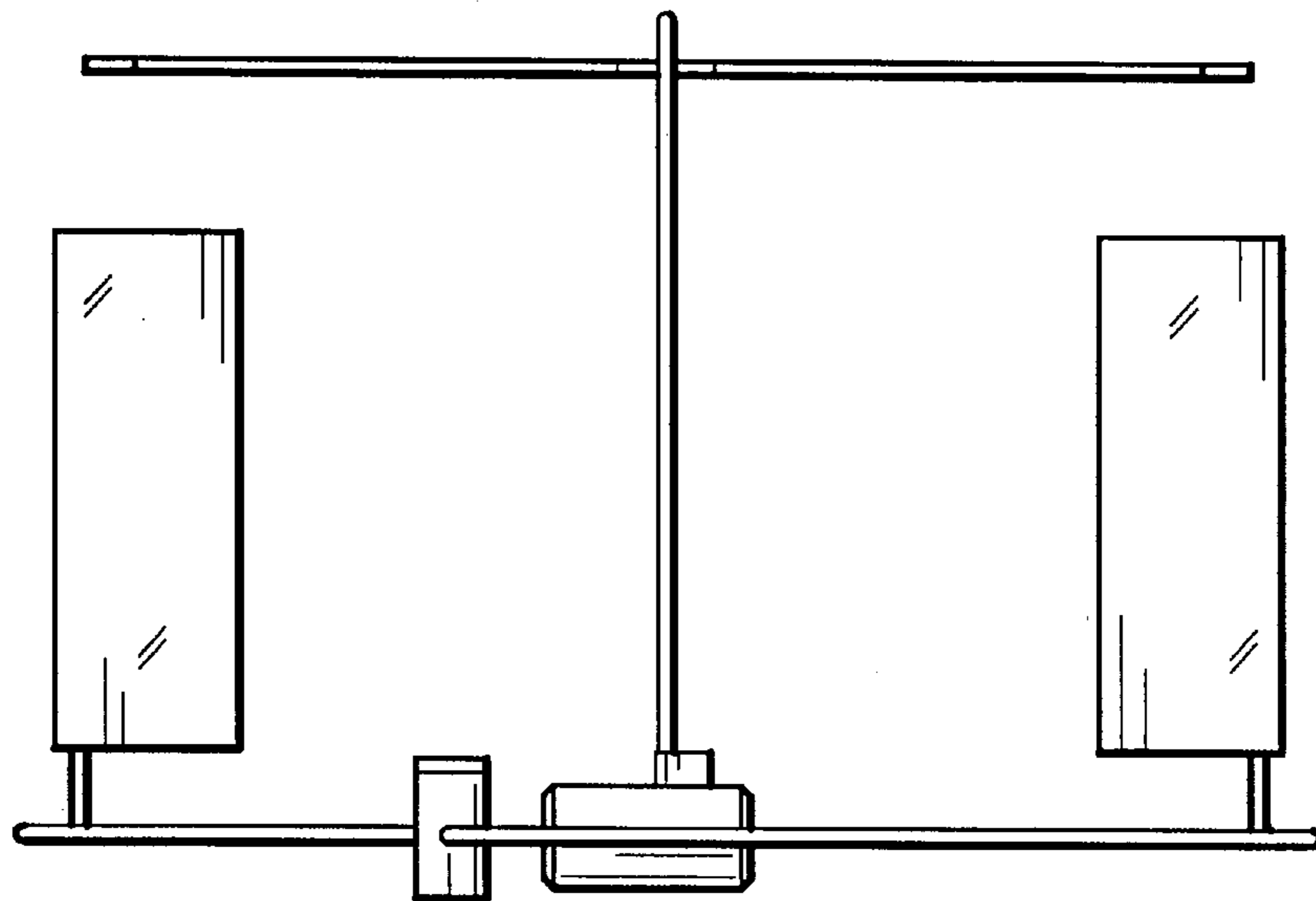
*FIG. 1*



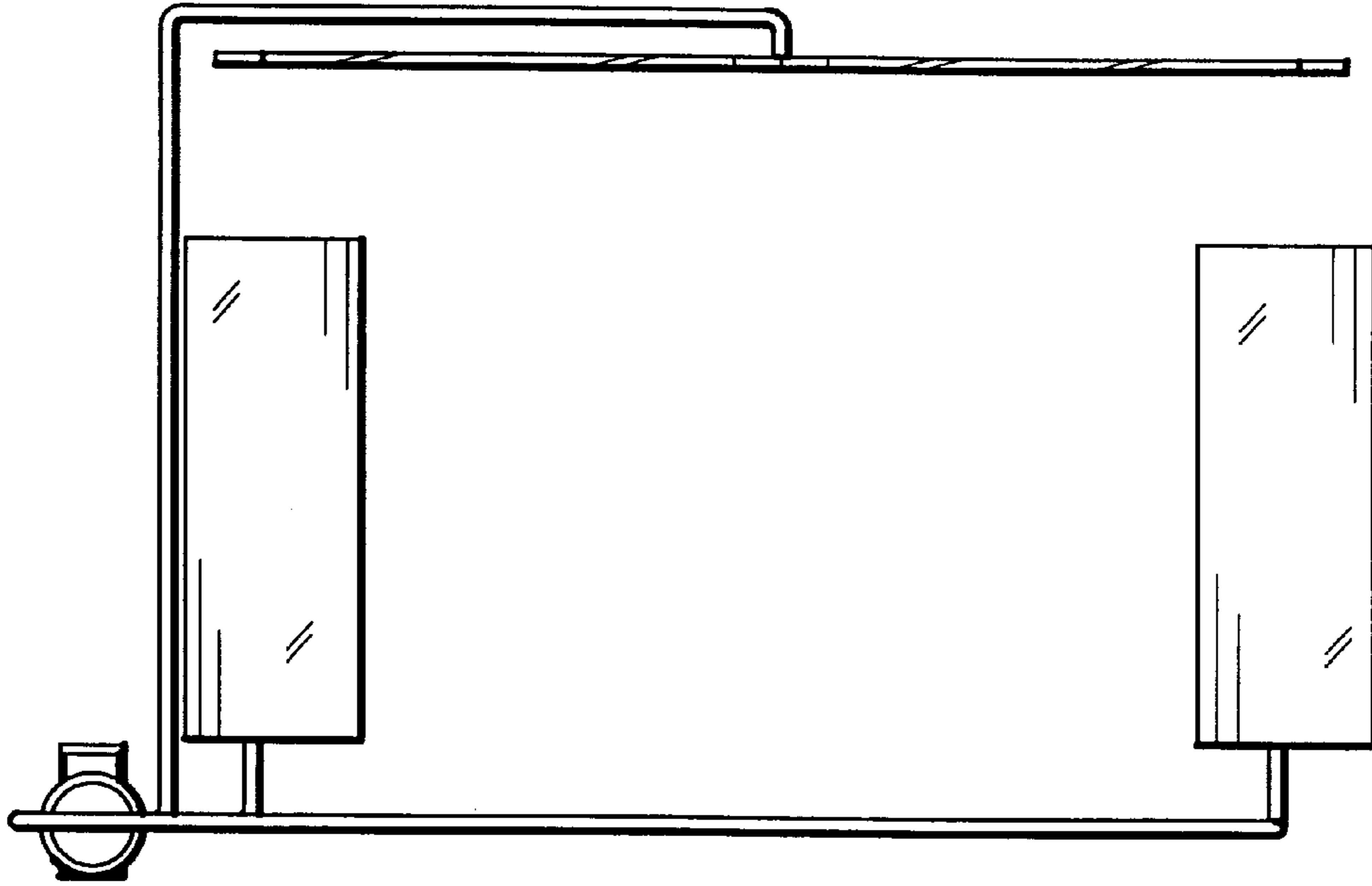
*FIG. 2*



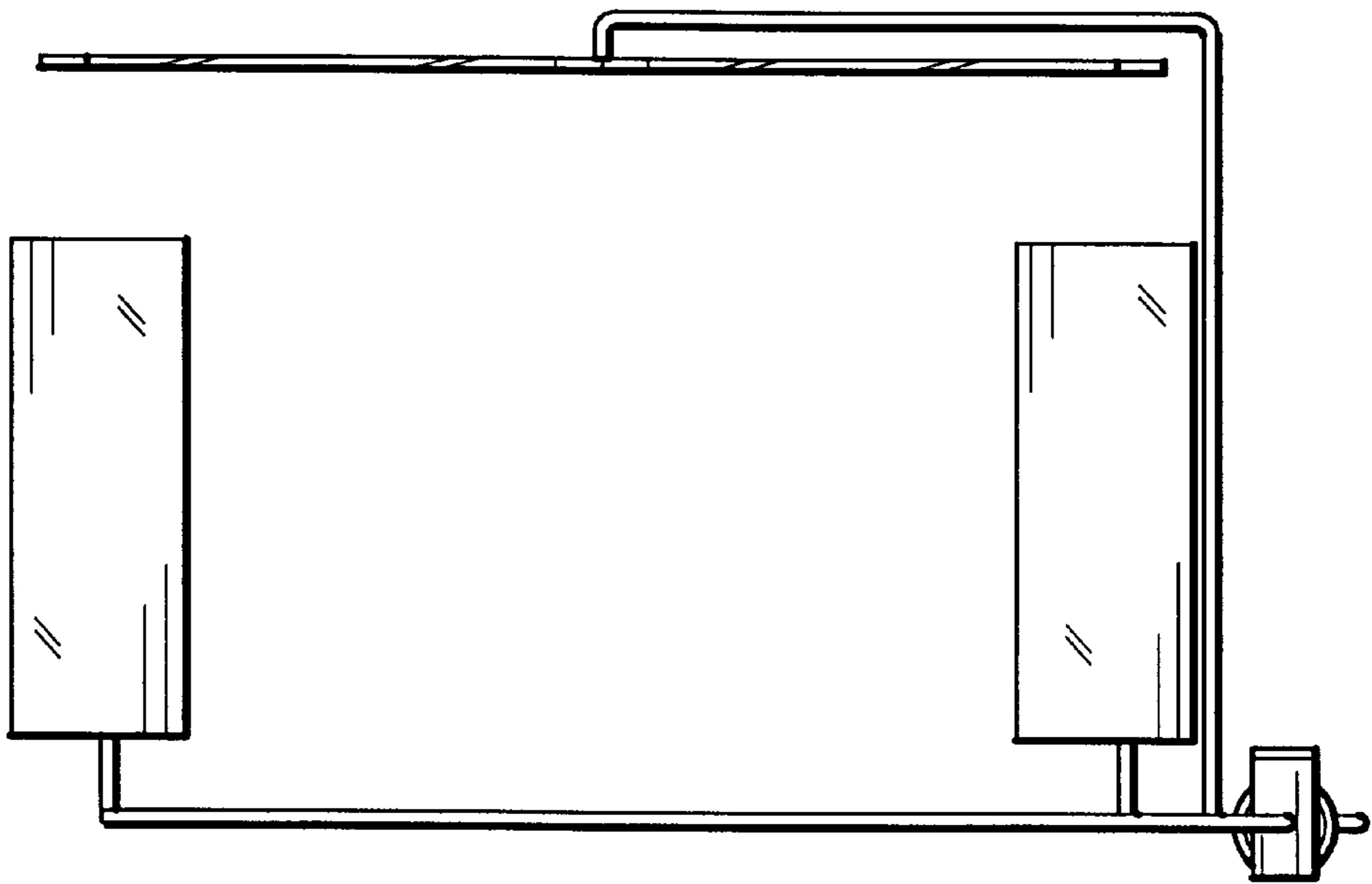
*FIG. 3*



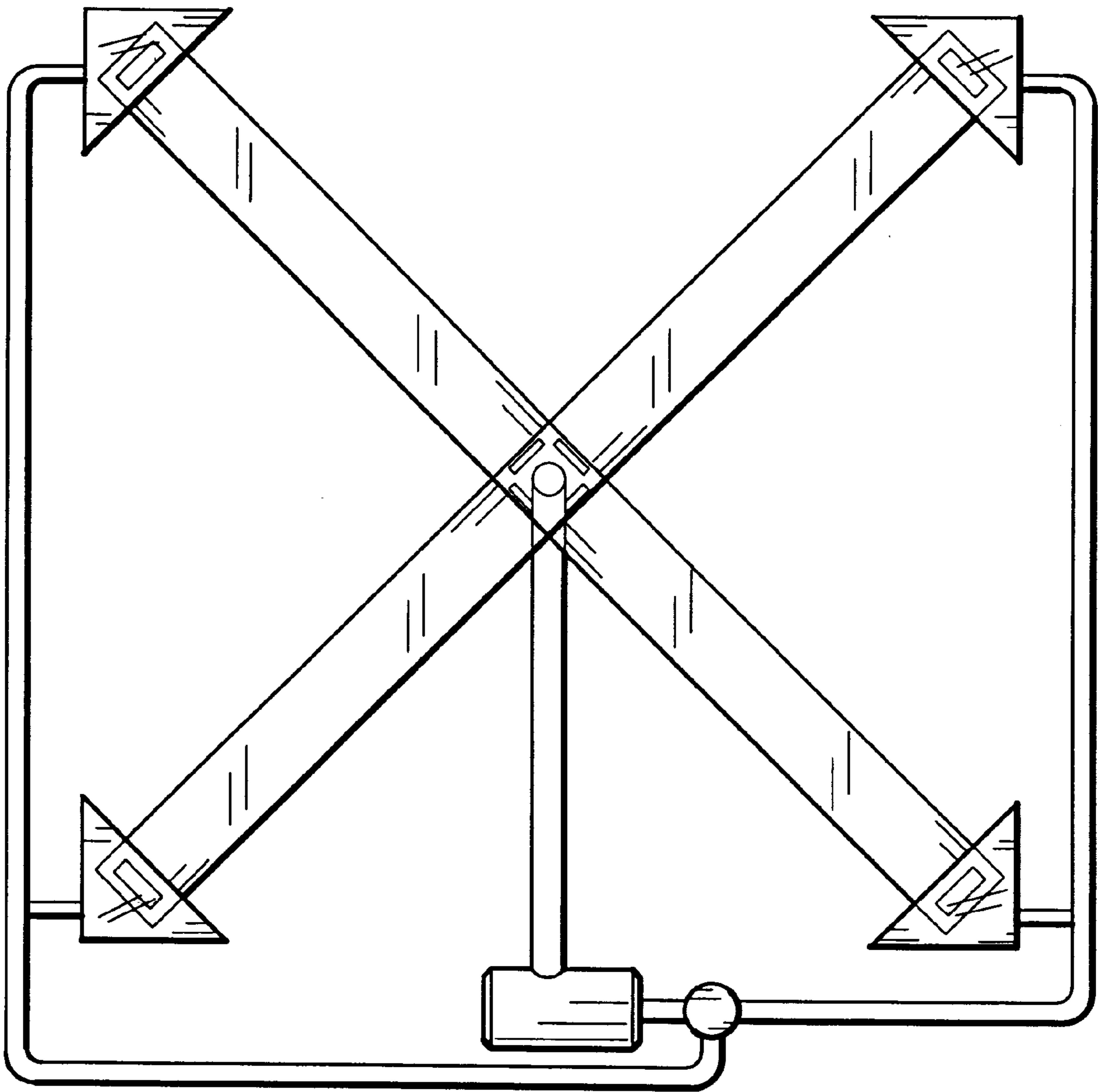
*FIG. 4*



*FIG. 5*



*FIG. 6*



*FIG. 7*