



US00D420419S

United States Patent [19] Pingel

[11] **Patent Number: Des. 420,419**
[45] **Date of Patent: ** Feb. 8, 2000**

[54] **FISHING ROD HANDLE WITH EXTENDED BUTT**

[75] Inventor: **Robert L. Pingel**, Carrollton, Tex.

[73] Assignee: **Comfort Grip Systems, LLC**, Darien, Conn.

[**] Term: **14 Years**

[21] Appl. No.: **29/083,794**

[22] Filed: **Feb. 17, 1998**

Related U.S. Application Data

[63] Continuation-in-part of application No. 29/076,595, Sep. 10, 1997, Pat. No. Des. 400,963.

[51] **LOC (7) Cl. 22-05**

[52] **U.S. Cl. D22/142**

[58] **Field of Search D22/134, 137, D22/138, 139, 142, 199; 43/1, 4, 18.1, 22, 23**

[56] References Cited

U.S. PATENT DOCUMENTS

D. 197,113	12/1963	Wood	D22/138
D. 272,556	2/1984	McMickle et al.	D22/142
D. 294,626	3/1988	Rumbaugh et al.	D22/142
D. 299,737	2/1989	Andreasen	D22/142
D. 351,012	9/1994	Burghoff	D22/142
D. 352,088	11/1994	Dillon	D22/139
D. 400,961	11/1998	Pingel	D22/142
D. 400,962	11/1998	Pingel	D22/142

4,038,719	8/1977	Bennett	16/110 R
4,516,351	5/1985	Highby	43/23
4,693,029	9/1987	Yamamoto et al.	43/23
4,793,087	12/1988	McGee	43/23
4,848,022	7/1989	Ozeki et al.	43/23
4,905,400	3/1990	Brackett et al.	43/23
5,125,130	6/1992	Stanish	16/110 R
5,396,727	3/1995	Furuya et al.	43/23
5,440,784	8/1995	Hull et al.	16/110 R
5,482,072	1/1996	Cimino	135/72
5,509,228	4/1996	Wright, Jr.	43/23
5,556,092	9/1996	Theken	273/75

Primary Examiner—Louis S. Zarfaz
Assistant Examiner—Inga-Maria Hyttinen
Attorney, Agent, or Firm—Dennis T. Griggs

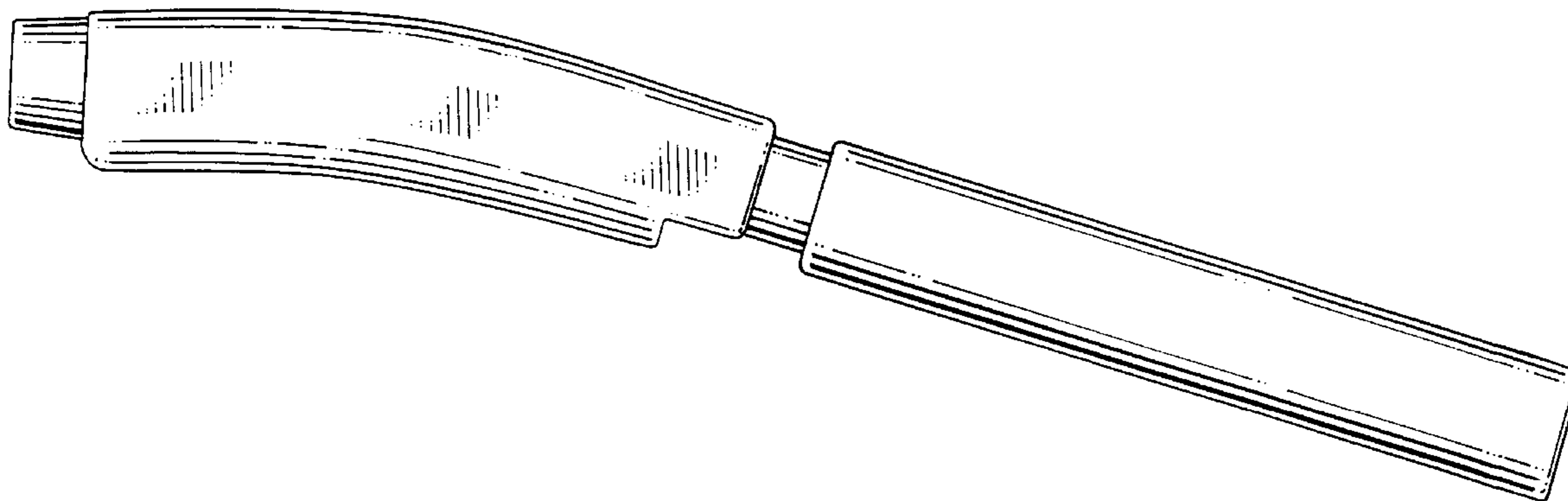
[57] CLAIM

The ornamental design for a fishing rod handle with extended butt, as shown and described.

DESCRIPTION

FIG. 1 is a left side elevational view of a fishing rod handle with extended butt, showing my new design; FIG. 2 is right side elevational view thereof; FIG. 3 is a top plan view thereof; FIG. 4 is a bottom plan view thereof; FIG. 5 is a front elevational view thereof; FIG. 6 is a rear elevational view thereof; and, FIG. 7 is a side elevational view thereof, the broken line showing of a spinning reel being included for the purpose of illustrating environmental elements only and forming no part of the claimed design.

1 Claim, 3 Drawing Sheets



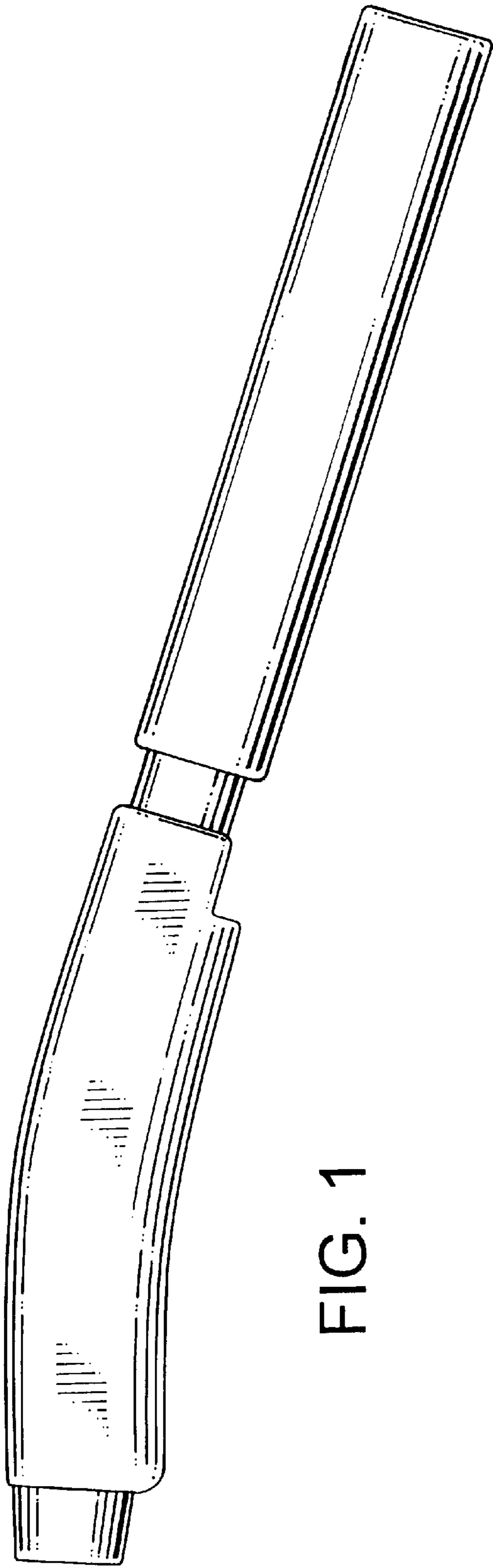


FIG. 1

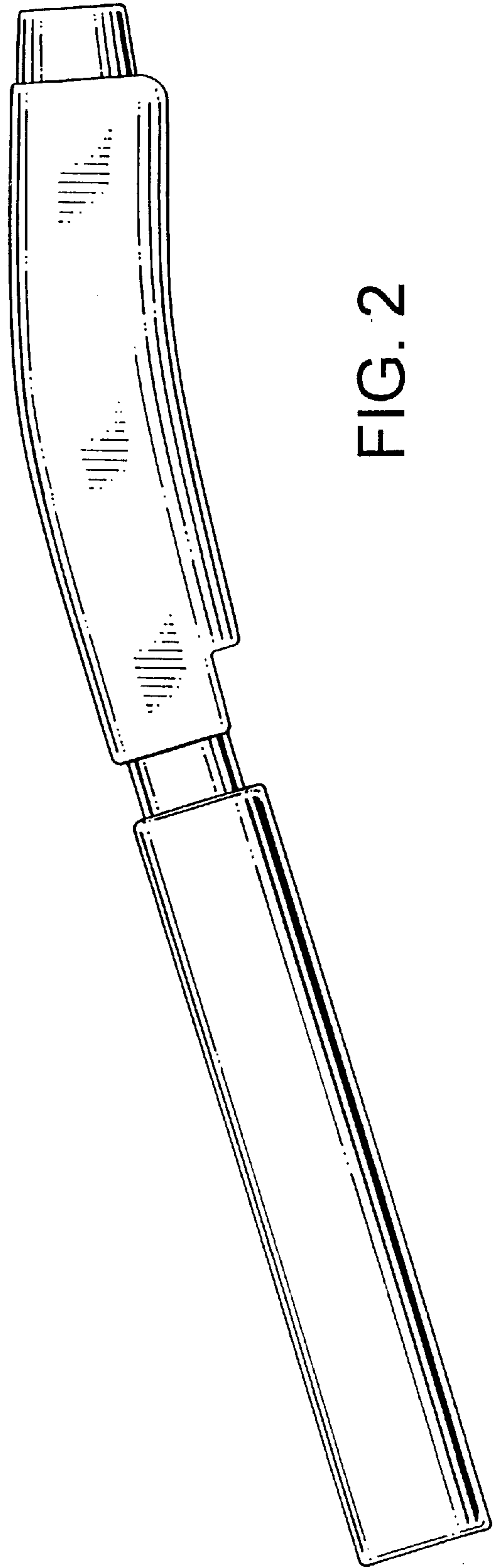


FIG. 2

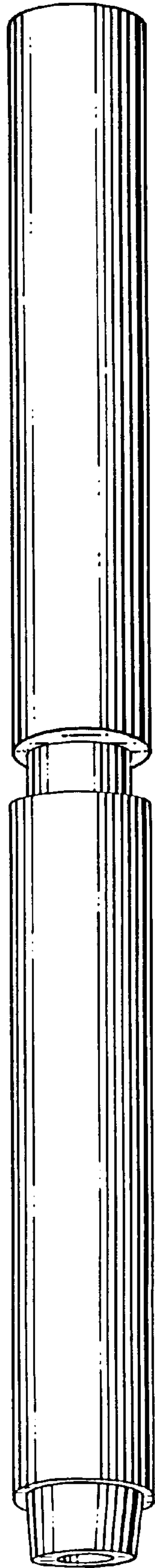


FIG. 3

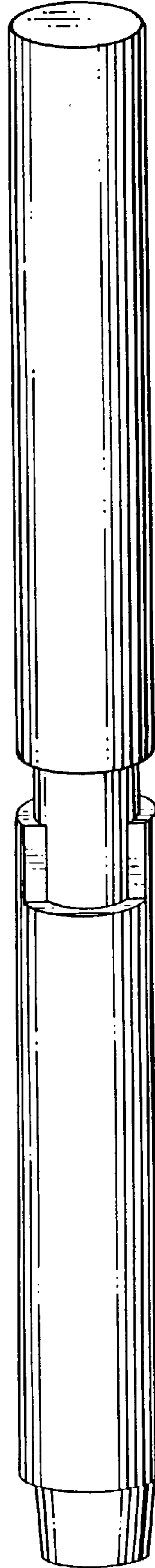


FIG. 4

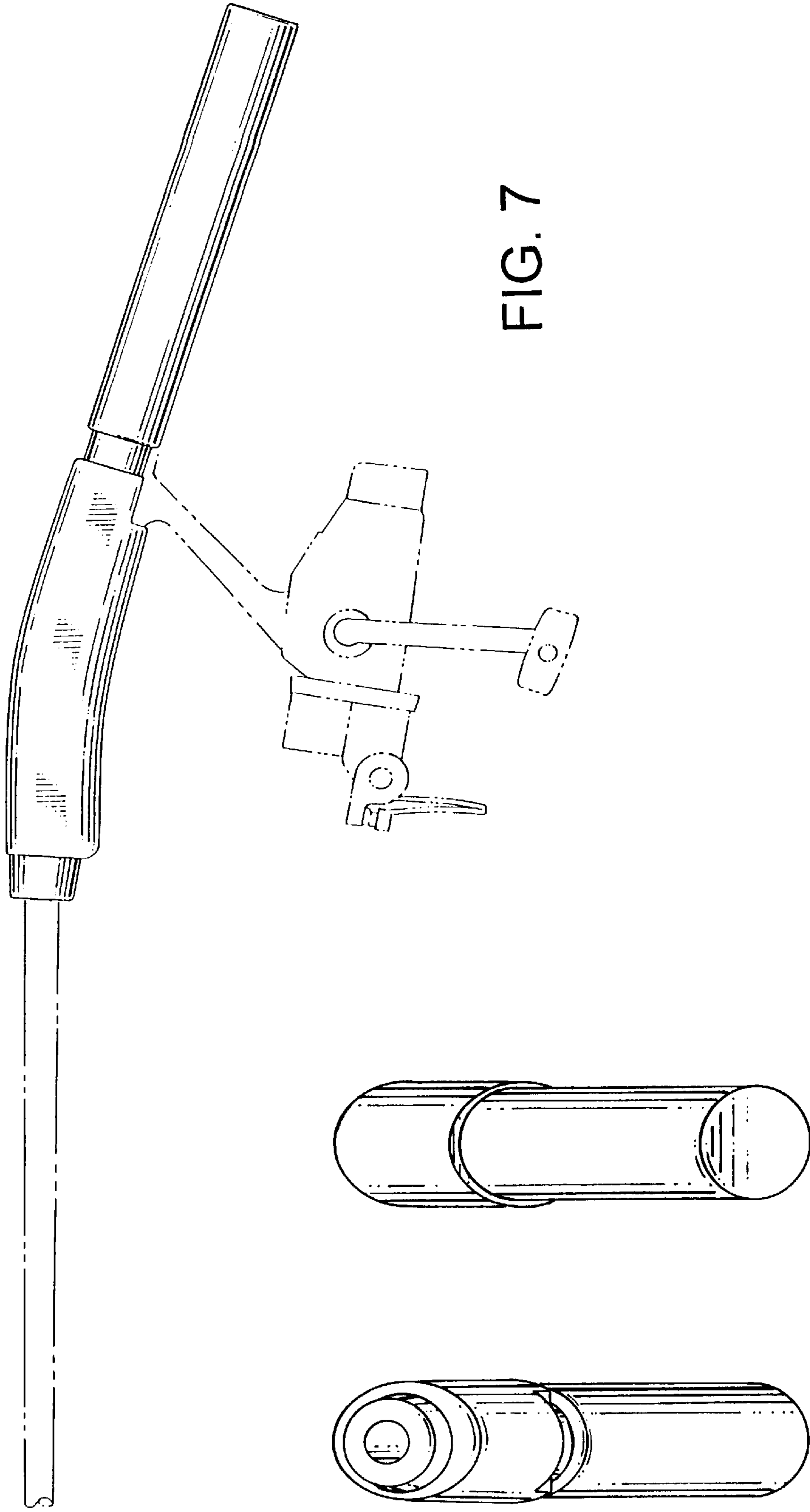


FIG. 7

FIG. 6

FIG. 5