



US00D420416S

United States Patent [19] Kay

[11] **Patent Number: Des. 420,416**

[45] **Date of Patent: ** Feb. 8, 2000**

[54] **EXTENDED THUMB SAFETY**
[76] Inventor: **Ira M. Kay**, 7553 Gary Rd., Manassas, Va. 20109

5,208,406 5/1993 Badali 89/148
5,212,327 5/1993 Schuemann 89/148
5,267,407 12/1993 Bornancini 89/148
5,303,494 4/1994 Tuma et al. 89/148

[**] Term: **14 Years**

Primary Examiner—Louis S. Zarfes
Assistant Examiner—Monica A. Weingart
Attorney, Agent, or Firm—Shlesinger, Arkwright & Garvey LLP

[21] Appl. No.: **29/071,033**

[22] Filed: **May 19, 1997**

[51] **LOC (7) Cl.** **22-01**

[52] **U.S. Cl.** **D22/108; D22/100; D22/199**

[58] **Field of Search** **D22/100, 108, D22/199; 89/142, 148, 149, 150, 154**

[57] CLAIM

The ornamental design for a extended thumb safety, as shown.

DESCRIPTION

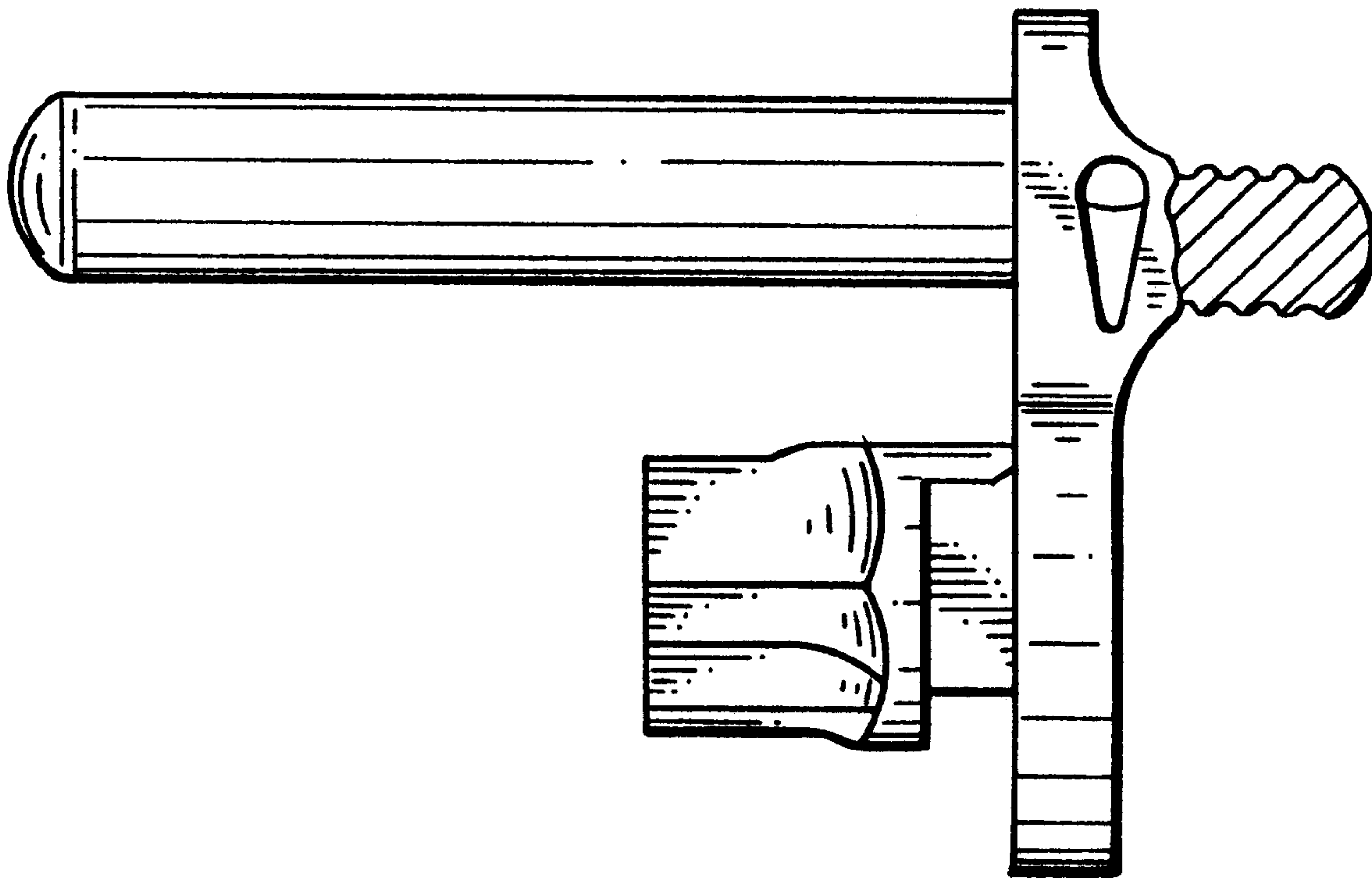
[56] References Cited

U.S. PATENT DOCUMENTS

D. 335,520 5/1993 Capone D22/108
D. 392,364 3/1998 Neal et al. D22/100 X
2,382,410 8/1945 Garand 89/148
4,208,947 6/1980 Hillberg 89/148

FIG. 1 is a side elevational view of an extended thumb safety showing my new design;
FIG. 2 is a bottom view of FIG. 1;
FIG. 3 is an opposite side elevational view of FIG. 1; and,
FIG. 4 is a left side view of FIG. 1.

1 Claim, 2 Drawing Sheets



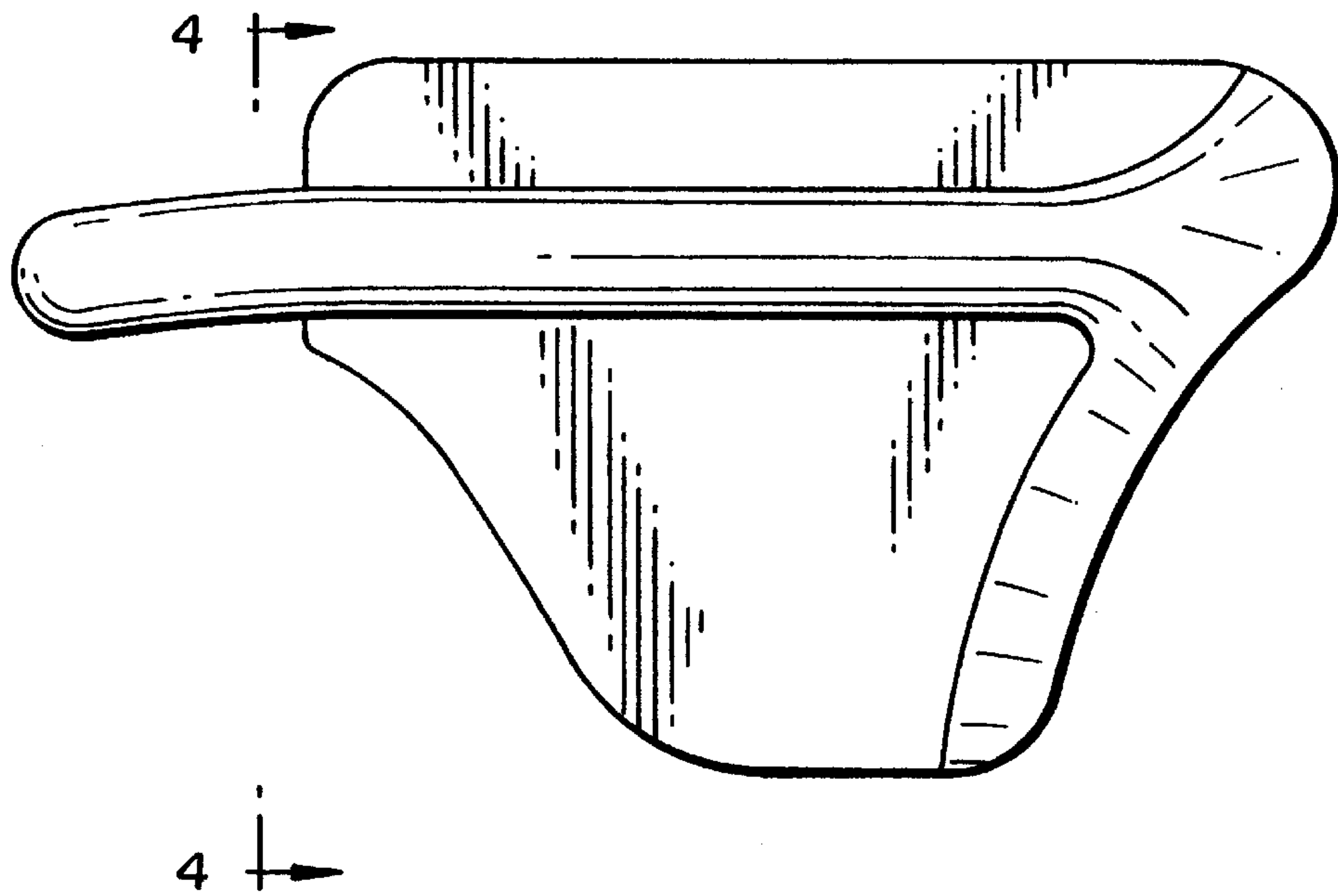


FIG. 1

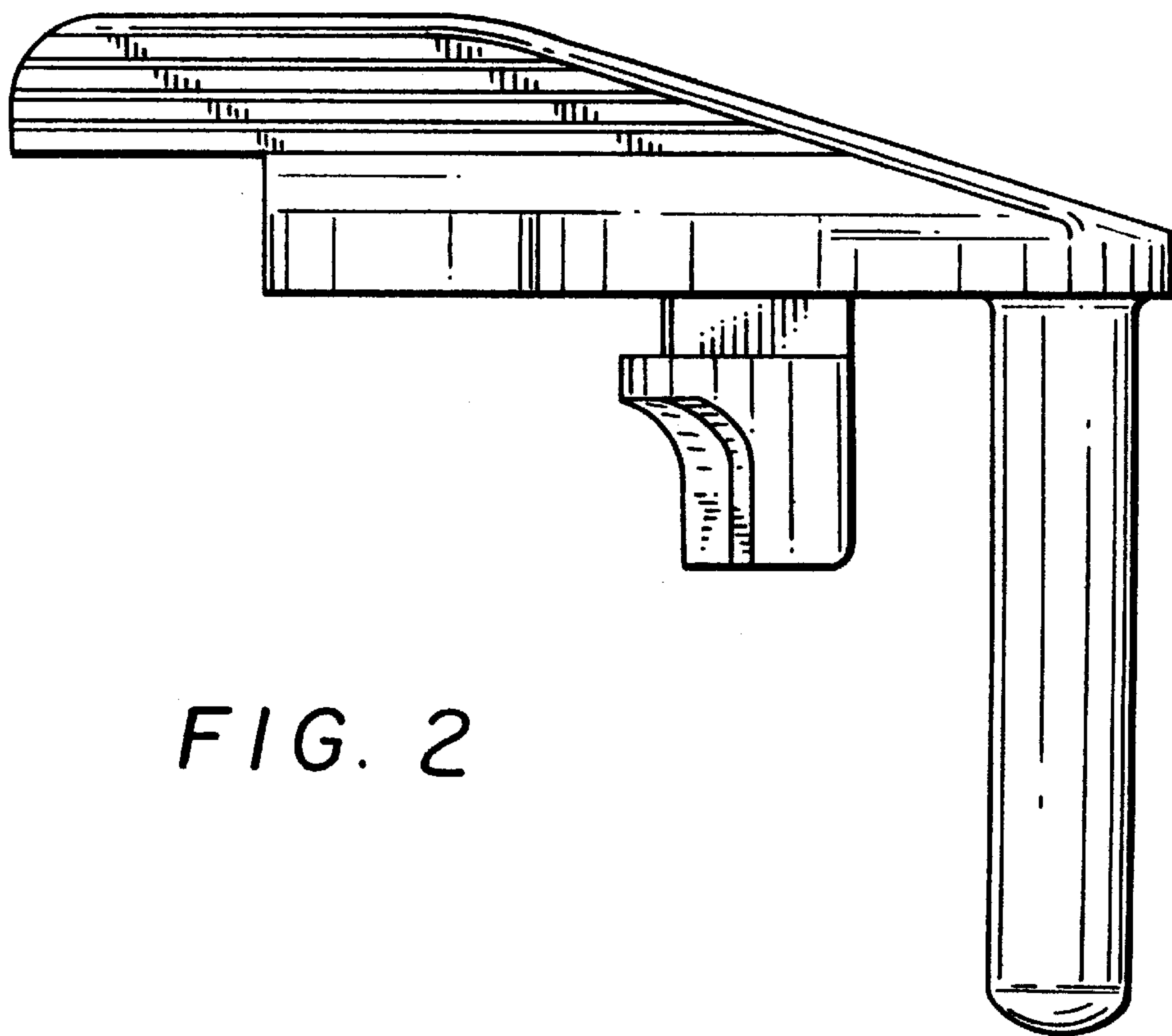


FIG. 2

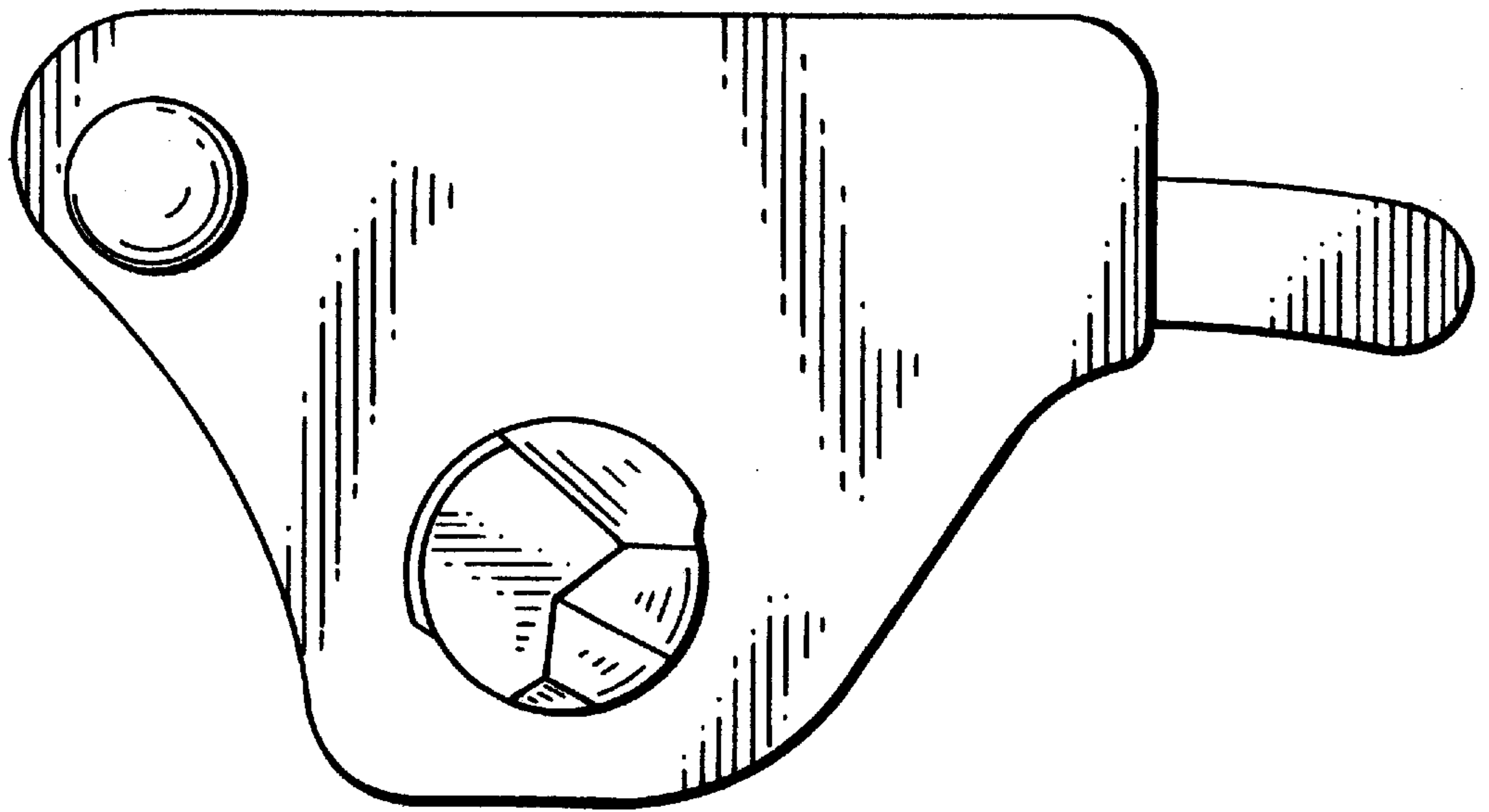


FIG. 3

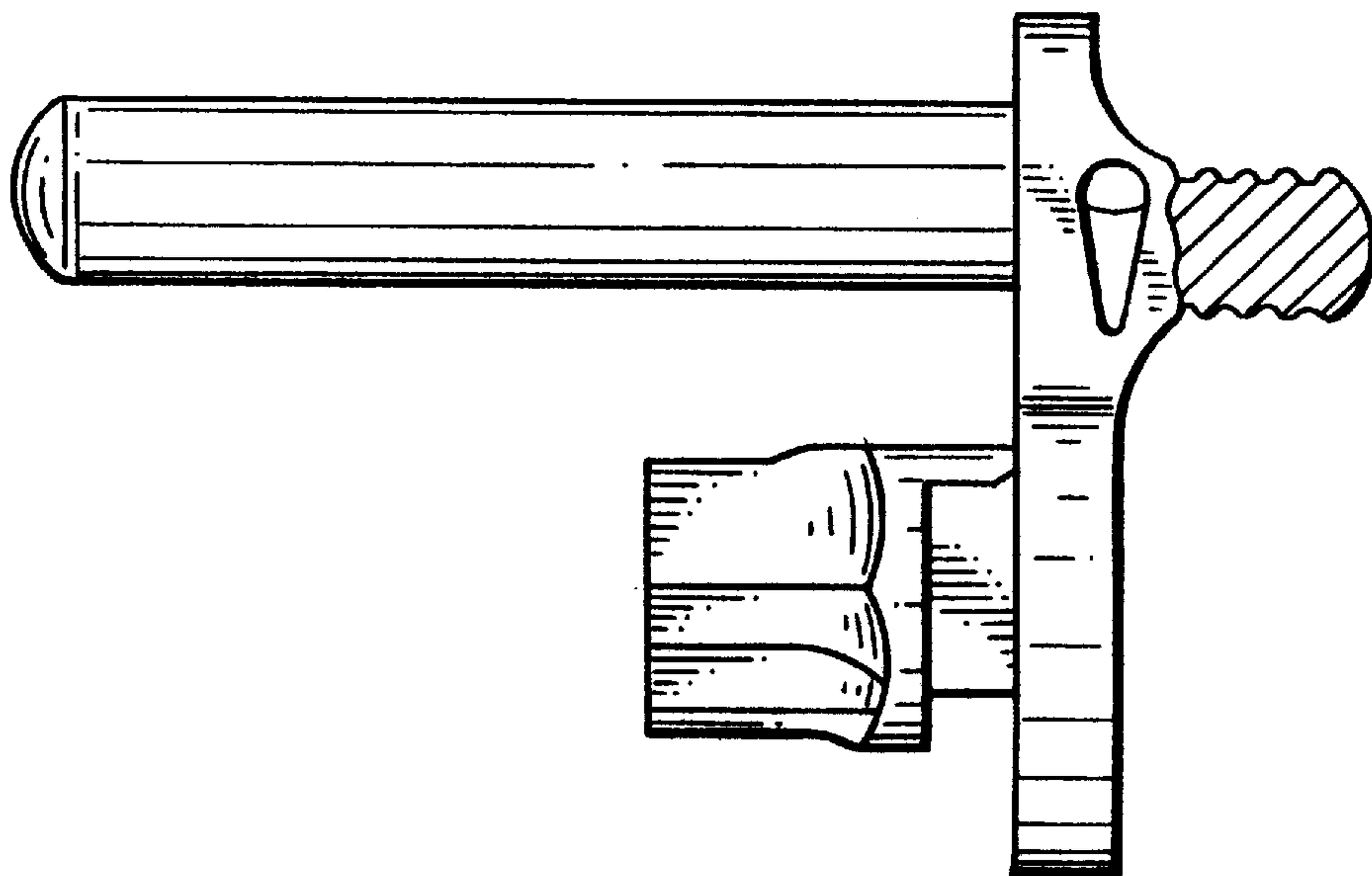


FIG. 4