



US00D420415S

# United States Patent [19] McClearn

[11] Patent Number: Des. 420,415

[45] Date of Patent: \*\* Feb. 8, 2000

[54] GUN REPLICA

[76] Inventor: Brent McClearn, 1375 Whiteaker Springs Rd., Cookeville, Tenn. 38506

[\*\*] Term: 14 Years

[21] Appl. No.: 29/088,356

[22] Filed: May 21, 1998

[51] LOC (7) Cl. .... 22-01

[52] U.S. Cl. .... D22/103; D22/100

[58] Field of Search ..... D22/100, 103, D22/199; 42/75.03; 89/33.12, 33.14, 33.16, 33.2, 33.25; D21/573, 574, 575

### [56] References Cited

#### U.S. PATENT DOCUMENTS

D. 372,067	7/1996	Predazzer	.....	D22/103
678,937	7/1901	Browning	.....	89/33.12
1,293,021	2/1919	Browning	.....	42/75.03
2,350,131	5/1944	Robinson, Jr.	.....	89/33.12
2,404,325	7/1946	Swebilius	.....	89/33.12
2,476,552	7/1949	Katz	.....	89/33.12
3,563,132	2/1971	Cashen	.....	89/33.14
5,383,389	1/1995	Wolff et al.	.....	89/33.25

#### OTHER PUBLICATIONS

Department of the Army, TM 9-1005-213-10 Department of the Army Technical Manual, Jul. 1968, pp. 5, 6, 29, & 39.  
Department of the Army, FM 23-65 Field Manual Browning Machinegun Caliber .50 HB, M2, May 1972, pp. 2, 5, 6, 17, 113, & 153.

Department of the Army, TM 9-224 Technical Manual, Apr. 22, 1943 pp. 16 & 24.

Details of Browning Machine Gun Caliber .50, M2, Aircraft Basic believed to be prior art.

M2 HB Caliber .50 Machine Gun, p. 285 believed to be prior art.

Primary Examiner—Louis S. Zarfaz  
Assistant Examiner—Monica A. Weingart  
Attorney, Agent, or Firm—Bruce A. Tassan

### [57] CLAIM

The ornamental design for a gun replica, as shown and described.

### DESCRIPTION

FIG. 1 is a perspective view of the gun replica showing my design.

FIG. 2 is a front view thereof.

FIG. 3 is a back view thereof.

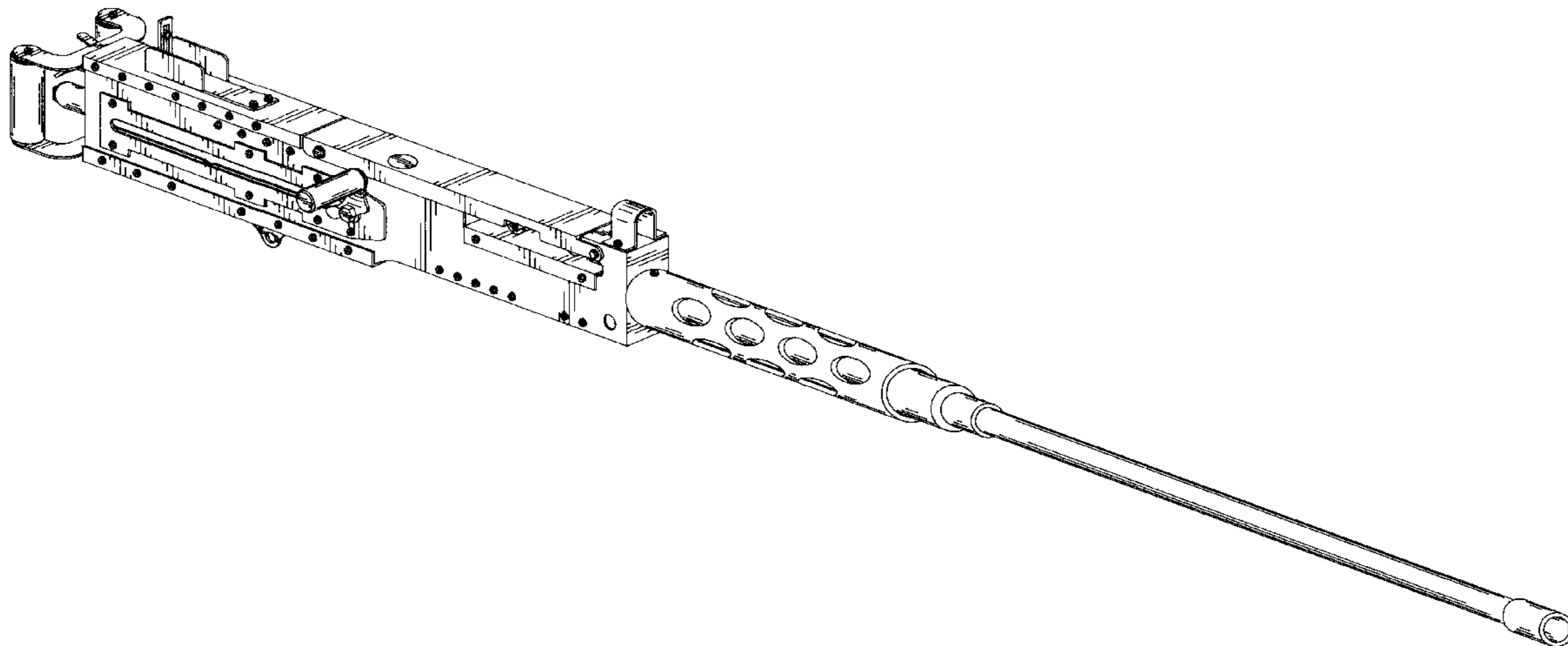
FIG. 4 is a top view thereof.

FIG. 5 is a bottom view thereof.

FIG. 6 is a right side view thereof; and,

FIG. 7 is a left side view thereof.

1 Claim, 4 Drawing Sheets



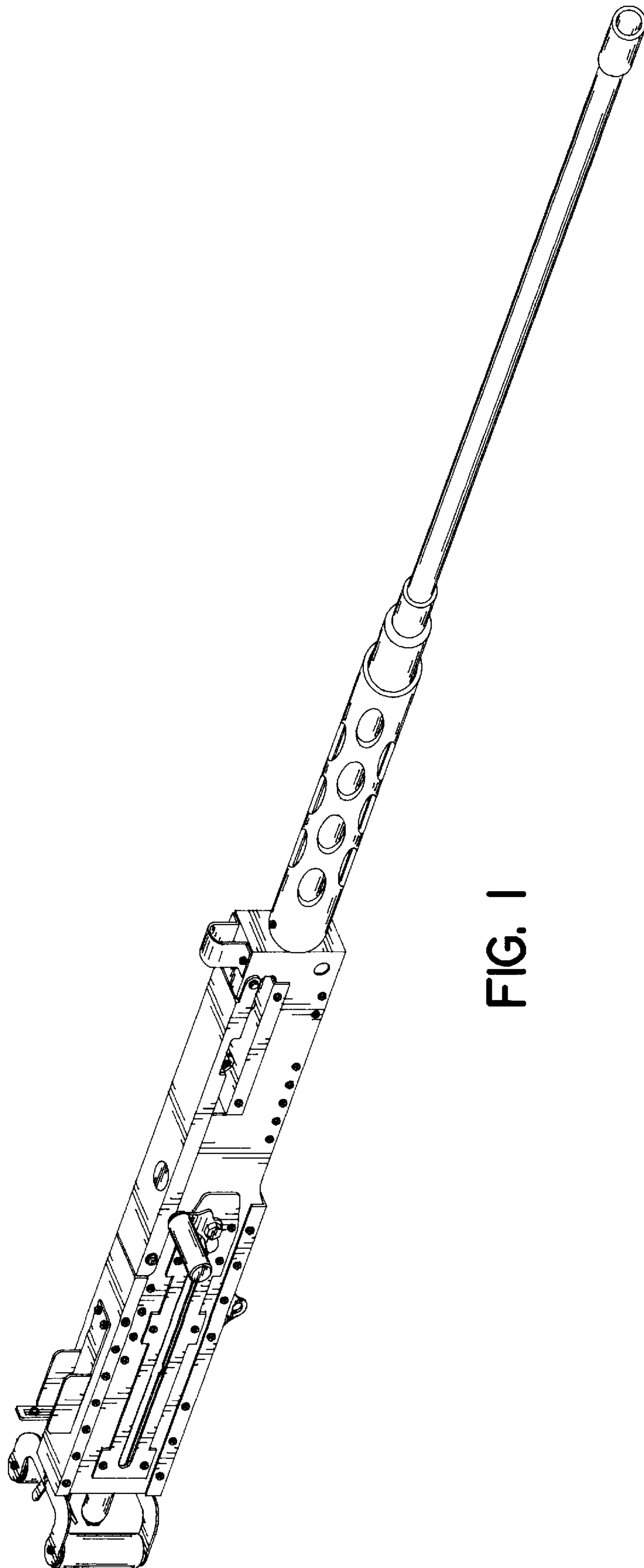


FIG. 1

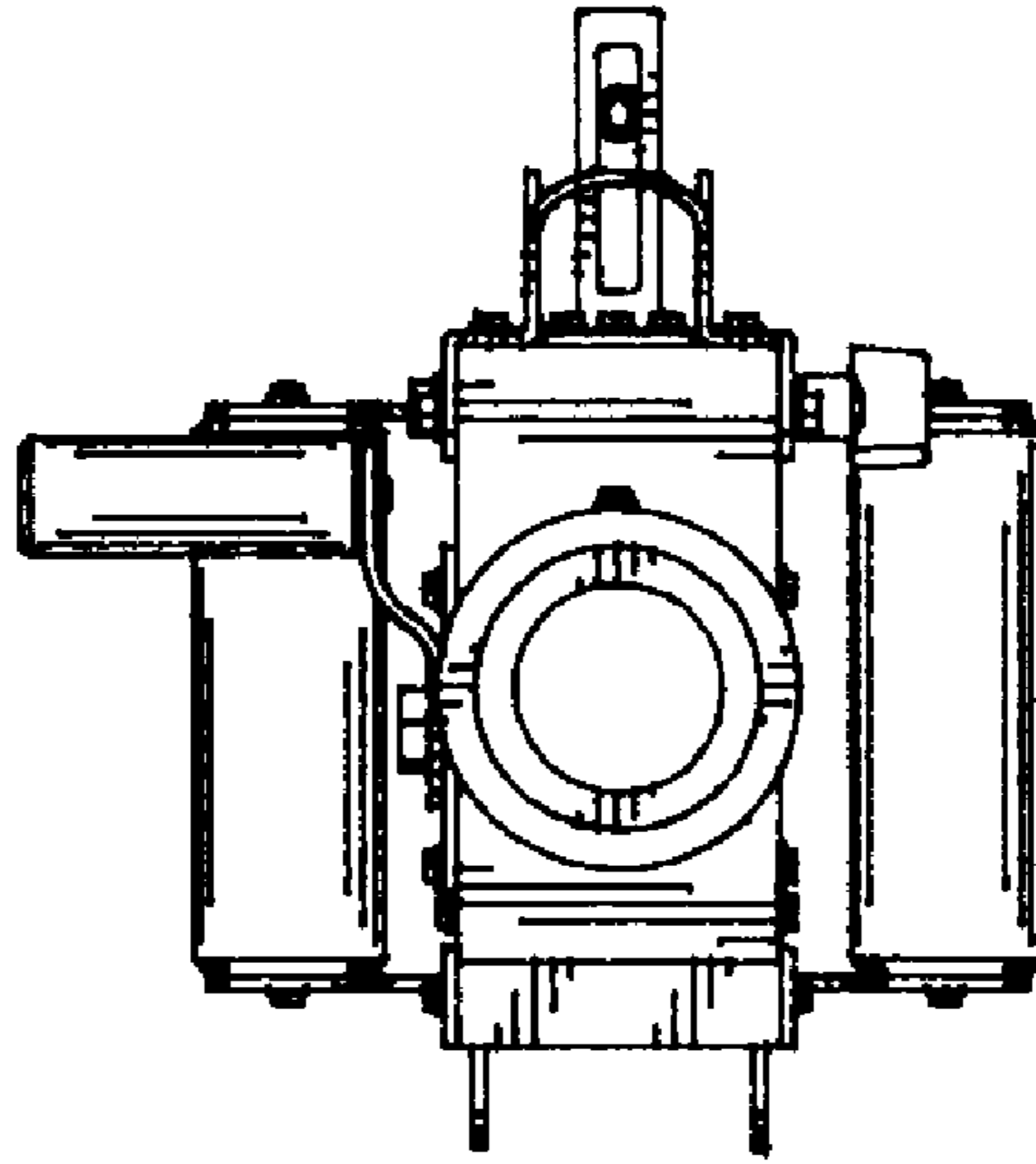


FIG. 2

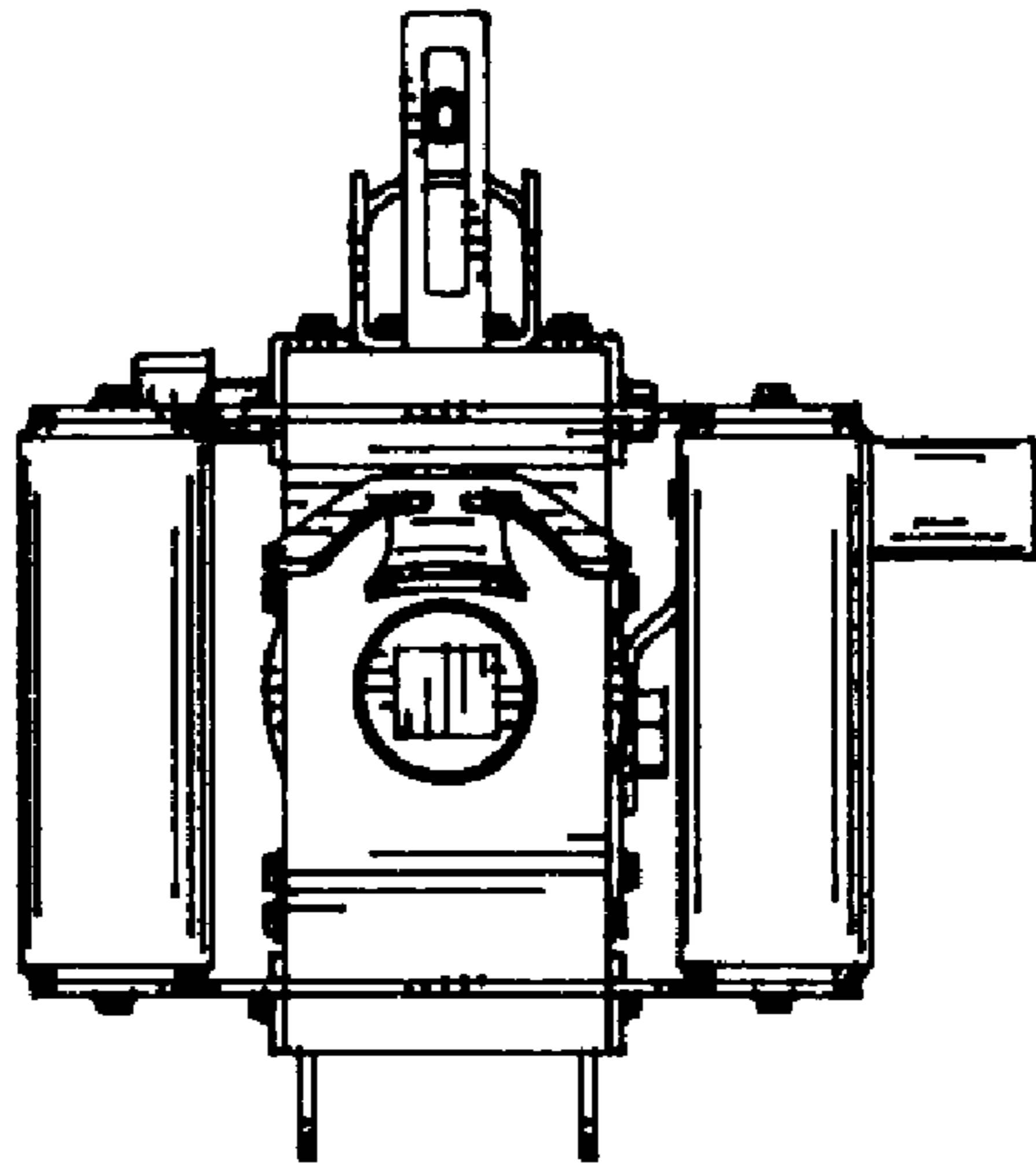


FIG. 3

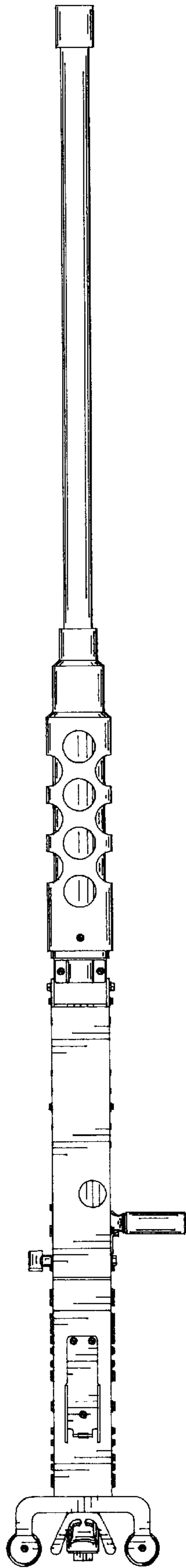


FIG. 4

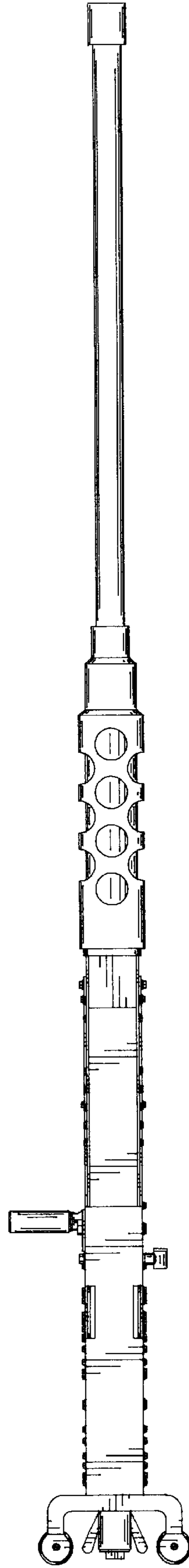


FIG. 5

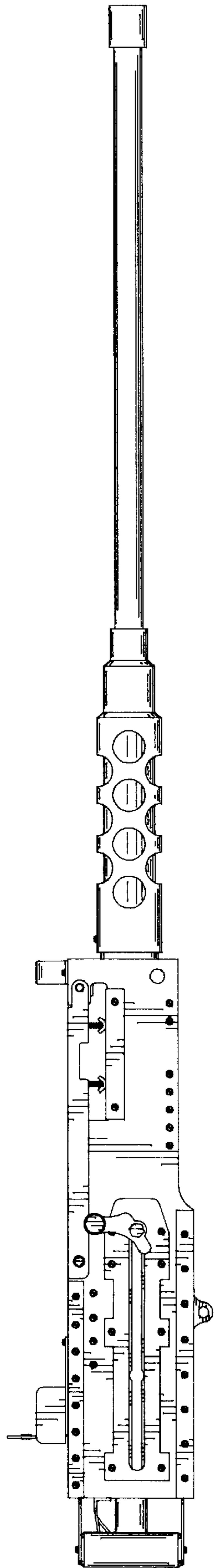


FIG. 6

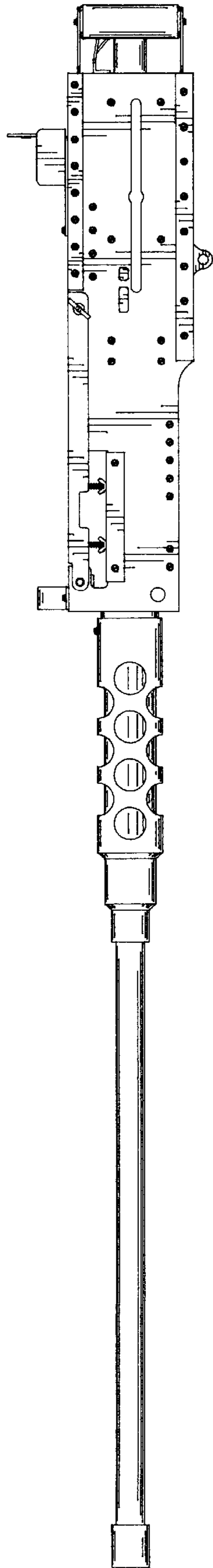


FIG. 7