



US00D420412S

United States Patent [19]

[11] **Patent Number: Des. 420,412**

Buck et al.

[45] **Date of Patent: ** Feb. 8, 2000**

[54] **TRAINING DEVICE FOR ATTACHMENT TO RACQUET STRINGS**

[75] Inventors: **James K. Buck**, 2636 Laurel Dr., Vero Beach, Fla. 32960; **Scott C. Raymond**, Kalkaska; **Michael C. Anger**, Mancelona, both of Mich.

[73] Assignee: **James K. Buck**, Vero Beach, Fla.

[**] Term: **14 Years**

[21] Appl. No.: **29/088,503**

[22] Filed: **May 26, 1998**

[51] **LOC (7) Cl. 21-02**

[52] **U.S. Cl. D21/755**

[58] **Field of Search D21/755, 753, D21/754, 756, 729-732; 473/553, 554, 461, 437, 520, 521**

[56] **References Cited**

U.S. PATENT DOCUMENTS

D. 331,436	12/1992	Yanahara	D21/729
D. 343,663	1/1994	Hillock	D21/756
D. 368,749	4/1996	Severa et al.	D21/753
2,932,514	4/1960	Bergmark .	
3,330,560	7/1967	Higdon .	
3,414,260	12/1968	Gust .	
3,913,911	10/1975	Peterson .	

4,005,864	2/1977	Stewart .	
4,108,433	8/1978	Althoff .	
4,200,285	4/1980	Petitti, Jr. .	
4,249,728	2/1981	Bratt .	
4,671,510	6/1987	Schoenwetter .	
4,697,811	10/1987	Muroi .	
5,039,097	8/1991	Bartlett .	
5,083,777	1/1992	Held .	
5,106,086	4/1992	Acosta	473/522
5,409,217	4/1995	Bobby .	
5,792,011	8/1998	Kuebler	473/520

Primary Examiner—Ted Shooman
Assistant Examiner—Mitchell I. Siegel
Attorney, Agent, or Firm—Reising, Ethington, Barnes, Kisselle, Learman & McCulloch, P.C.

[57] **CLAIM**

The ornamental design for a training device for attachment to racquet strings, shown and described.

DESCRIPTION

FIG. 1 is a perspective view of the device; FIG. 2 is a face elevational view thereof, the opposite face view being identical when the device is rotated 180°; FIG. 3 is a side edge elevational view of the device; FIG. 4 is an end edge elevational view thereof; and, FIG. 5 is an interior elevational view of one of the shells of the training device for attachment to racquet strings, the other shell's interior being identical.

1 Claim, 2 Drawing Sheets

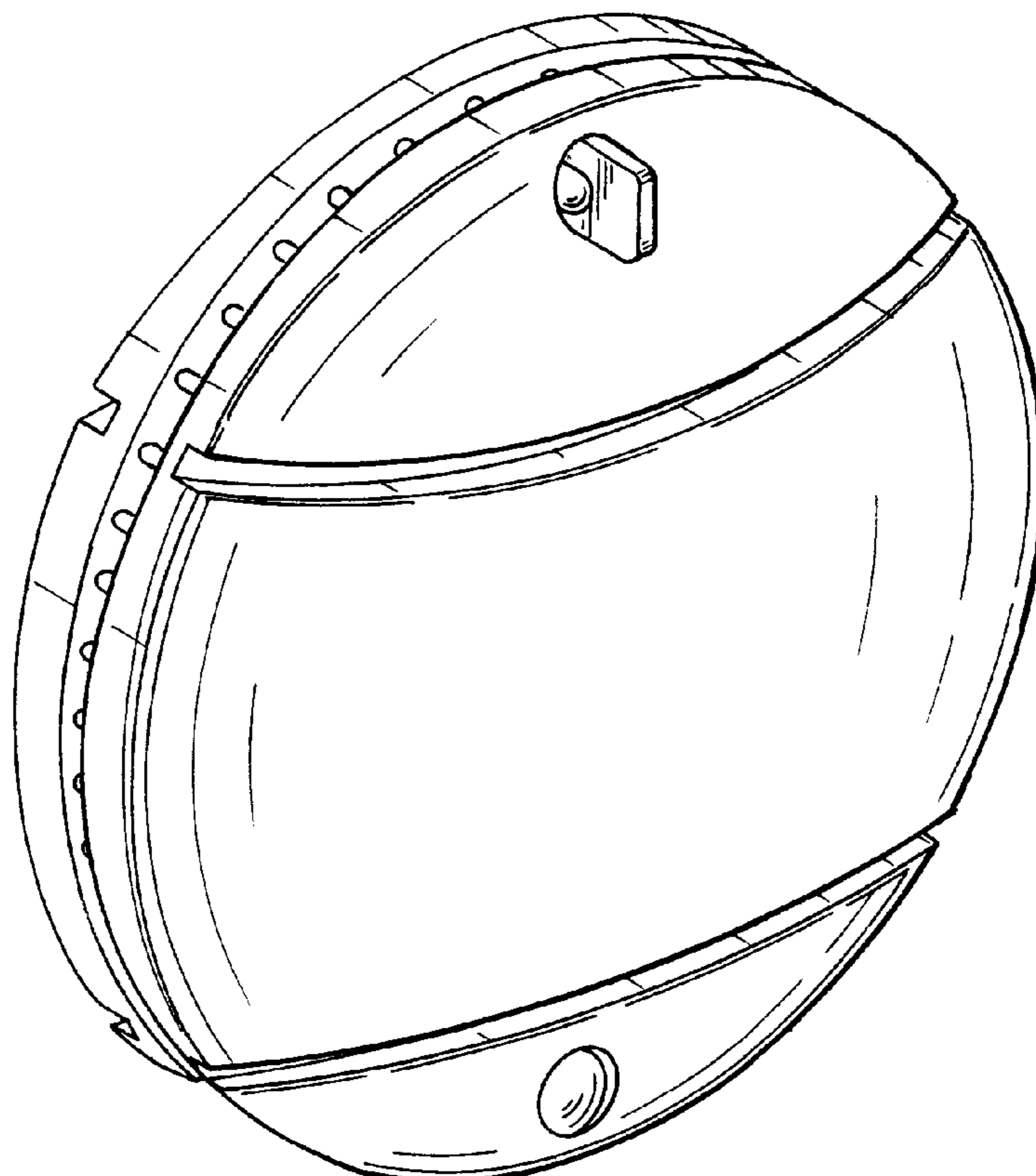


FIG - 1

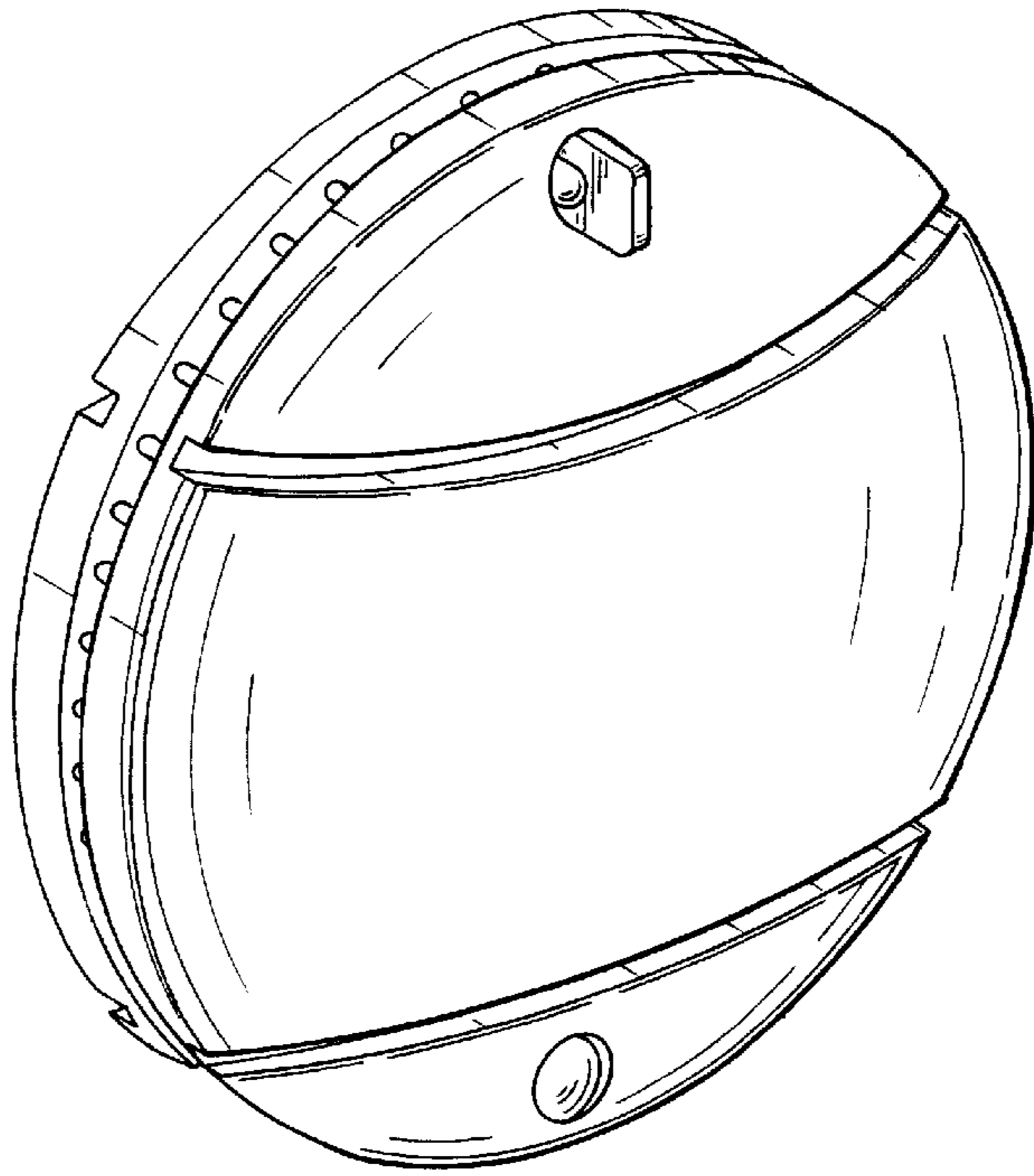
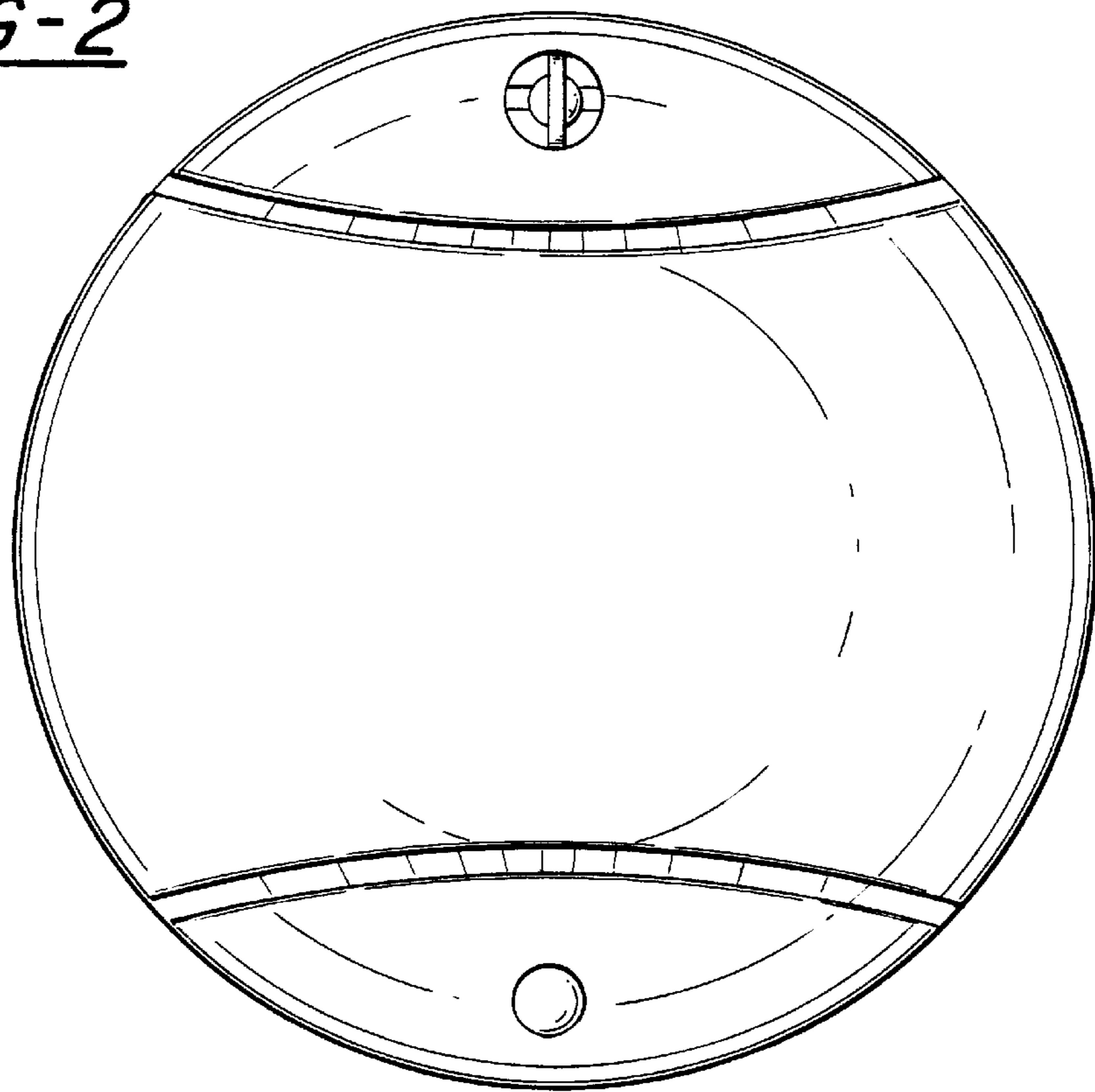


FIG - 2



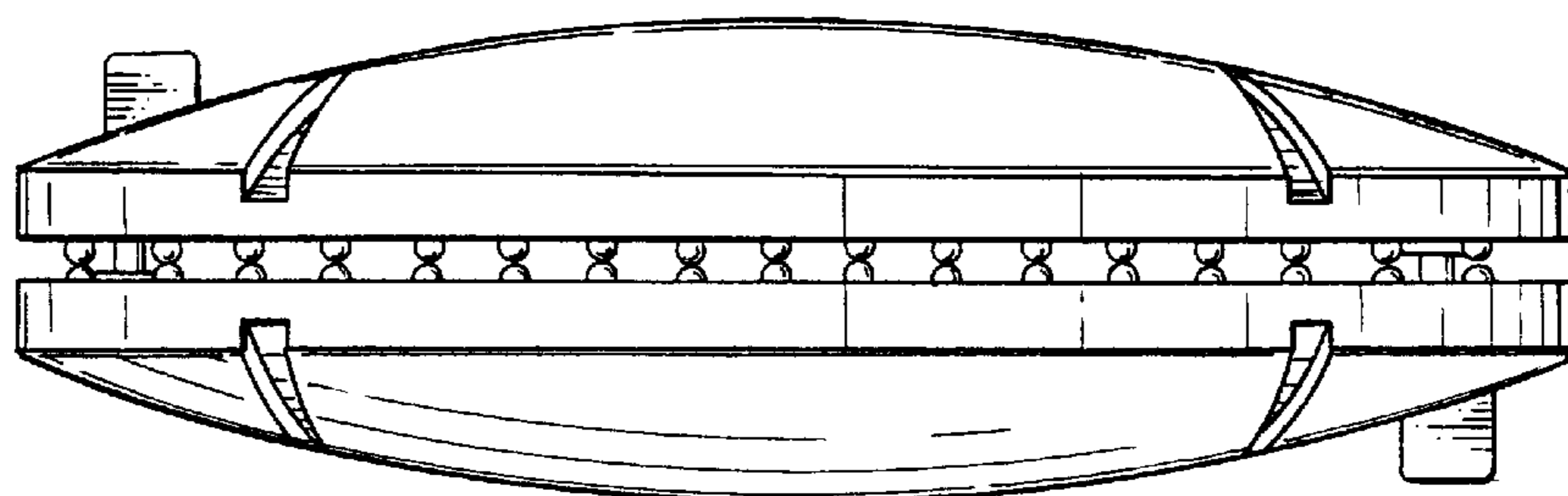


FIG - 3

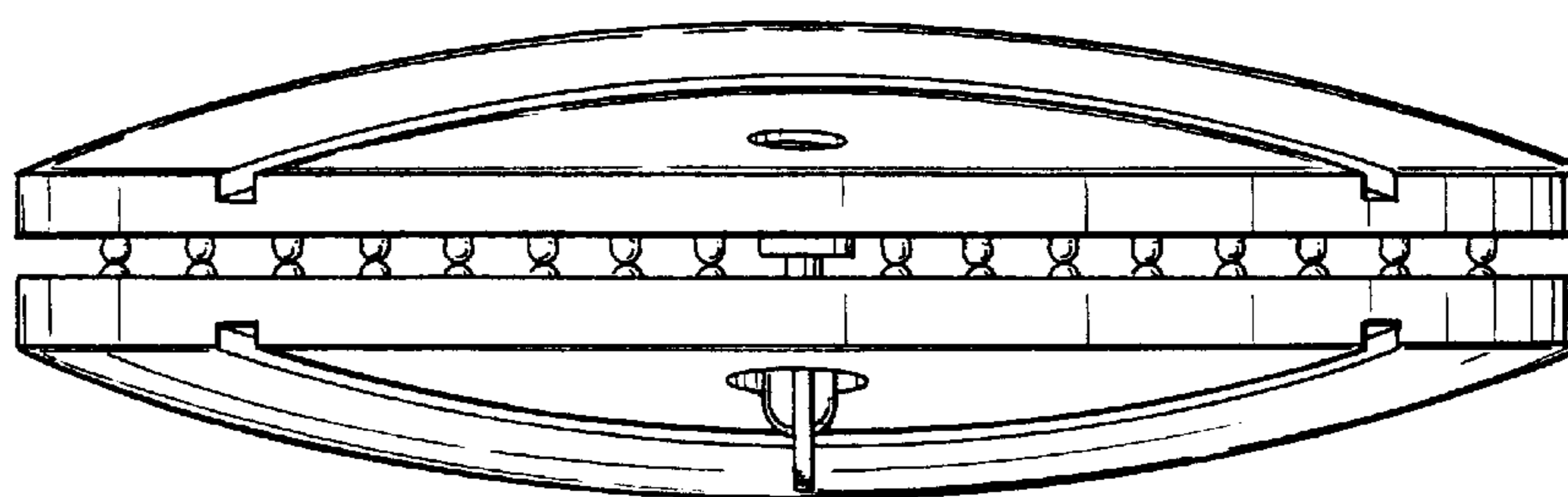


FIG - 4

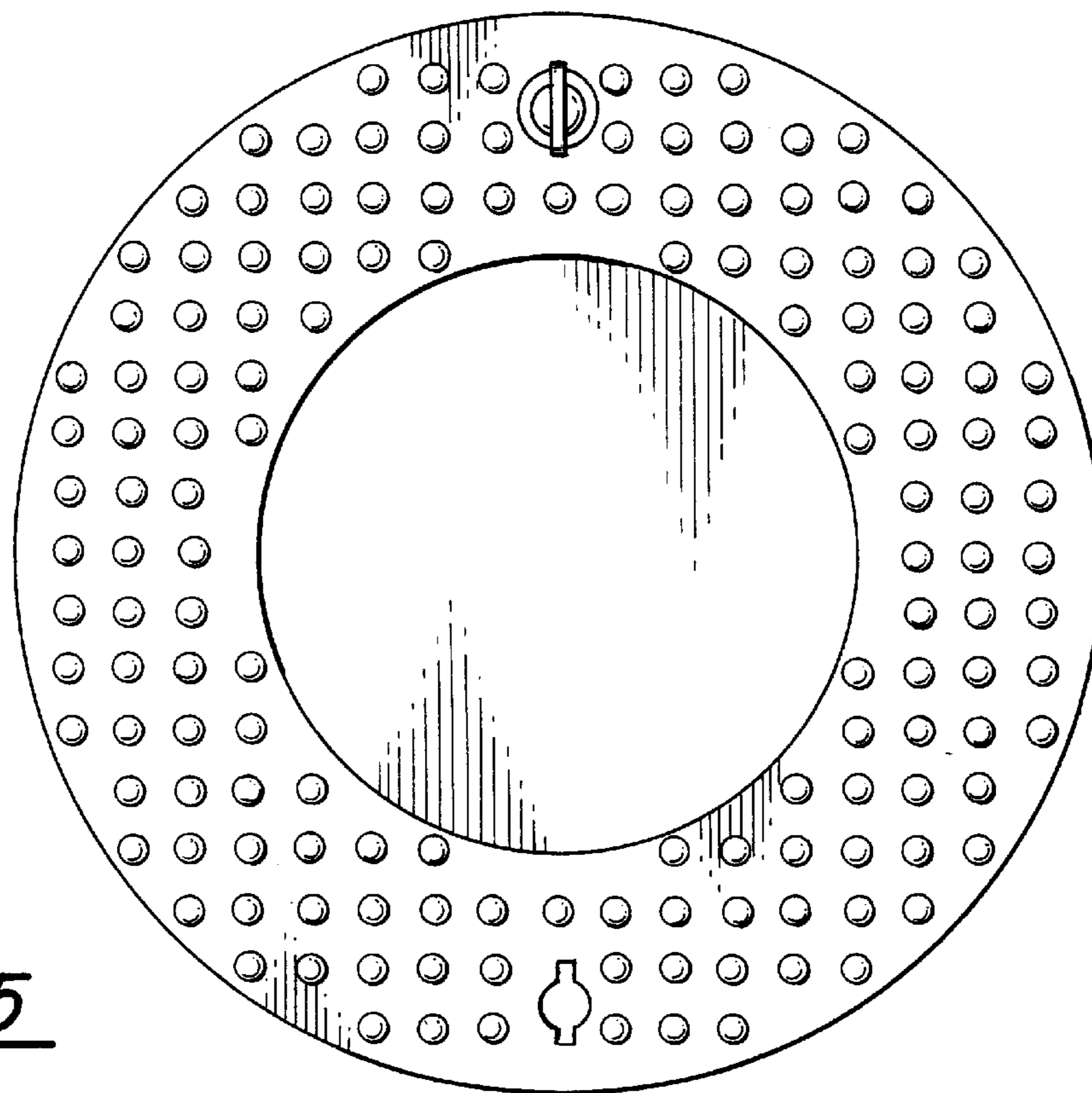


FIG - 5