



US00D420405S

# United States Patent [19]

Plain et al.

[11] Patent Number: **Des. 420,405**

[45] Date of Patent: **\*\* Feb. 8, 2000**

[54] **TEACHING TOY TELEPHONE**

[75] Inventors: **Barbara Plain**, Des Plaines, Ill.;  
**Lonnie Pogue**, San Diego; **Brian Macowski**, Cardiff, both of Calif.

[73] Assignee: **Learning Resources, Inc.**, Vernon Hills, Ill.

[\*\*] Term: **14 Years**

[21] Appl. No.: **29/090,967**

[22] Filed: **Jul. 21, 1998**

[51] **LOC (7) Cl.** ..... **21-01**

[52] **U.S. Cl.** ..... **D21/517; D14/151**

[58] **Field of Search** ..... **D21/513, 515-518;**  
**D14/143, 148, 151; 446/141-143, 408,**  
**397**

[56] **References Cited**

**U.S. PATENT DOCUMENTS**

D. 312,459 11/1990 Oshima et al. .... D14/151

D. 315,377 3/1991 Tharp et al. .... D21/517  
D. 318,306 7/1991 Cheung ..... D14/151  
D. 344,517 2/1994 Toh et al. .... D14/151  
D. 399,201 10/1998 Zeitman ..... D14/151

*Primary Examiner*—Raphael Barkai  
*Attorney, Agent, or Firm*—Larry L. Saret; Laff, Whitesel & Saret, Ltd.

[57] **CLAIM**

The ornamental design for a teaching toy telephone, as shown.

**DESCRIPTION**

FIG. 1 is a perspective view of the invention.  
FIG. 2 is a top plan view of the invention.  
FIG. 3 is a left side elevation view of the invention.  
FIG. 4 is a bottom plan view of the invention.  
FIG. 5 is a right side elevation view of the invention.  
FIG. 6 is front end elevation view of the invention; and,  
FIG. 7 is a rear end elevation view of the invention.

**1 Claim, 4 Drawing Sheets**



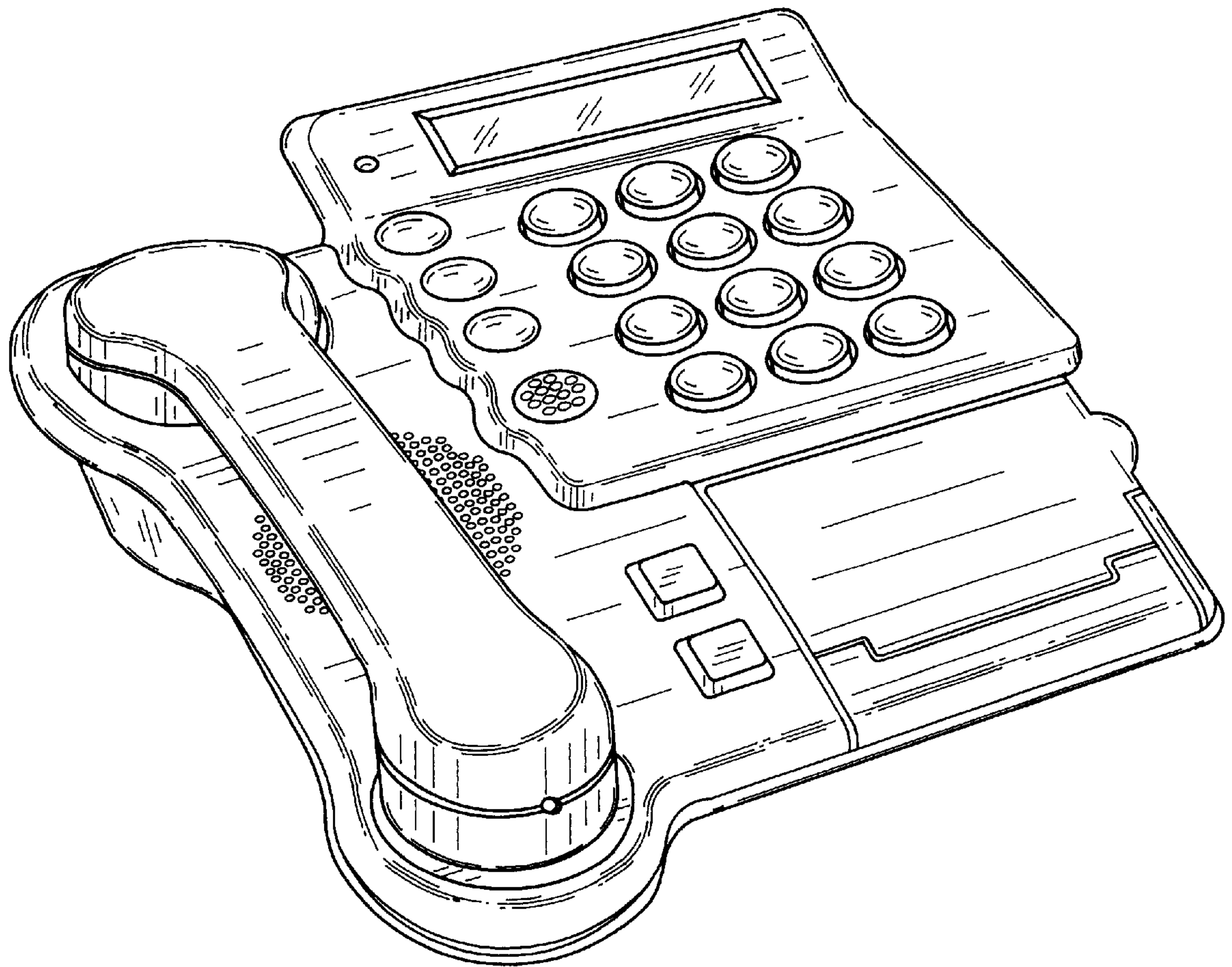


FIG. 1

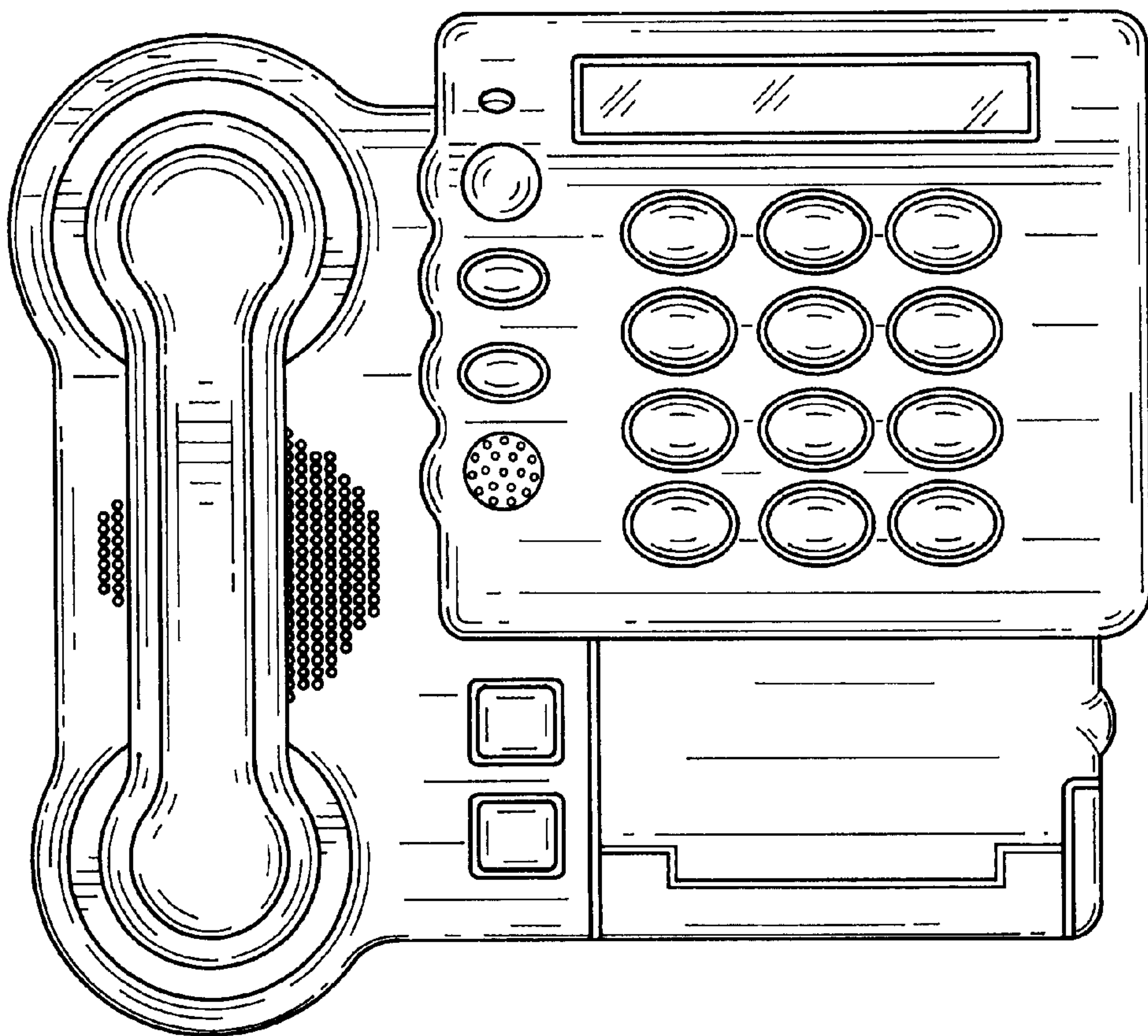


FIG. 2

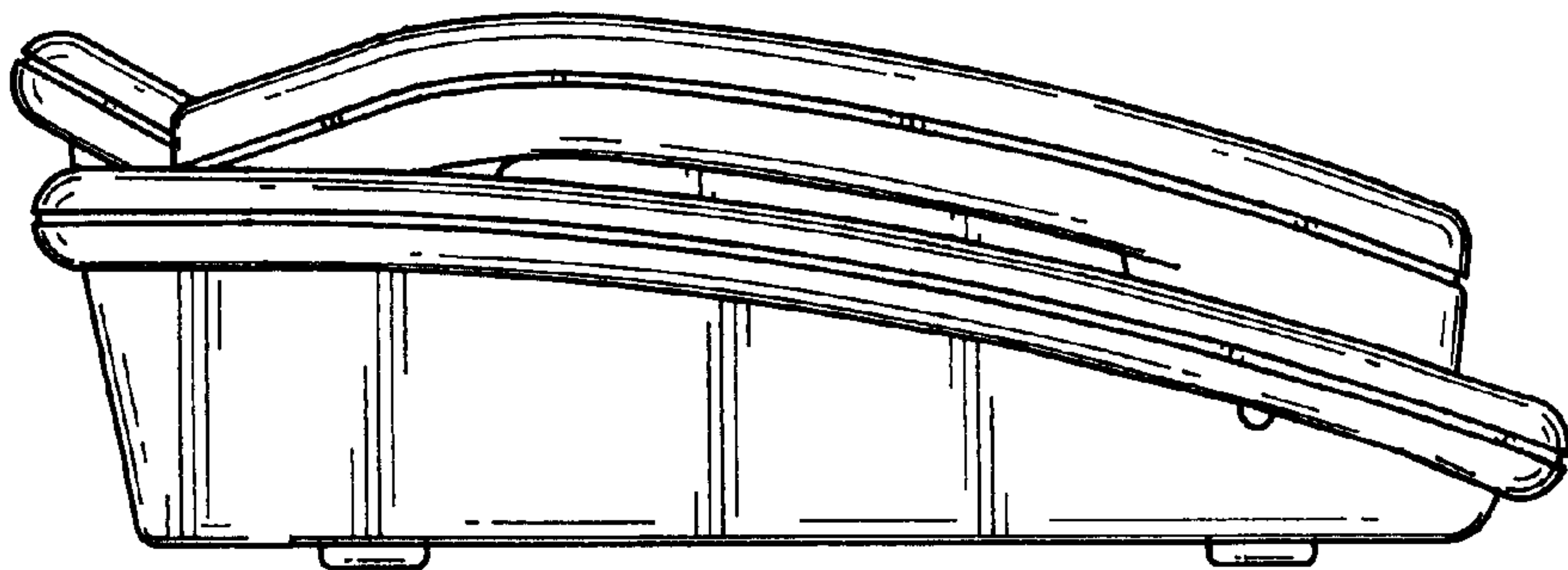


FIG. 3



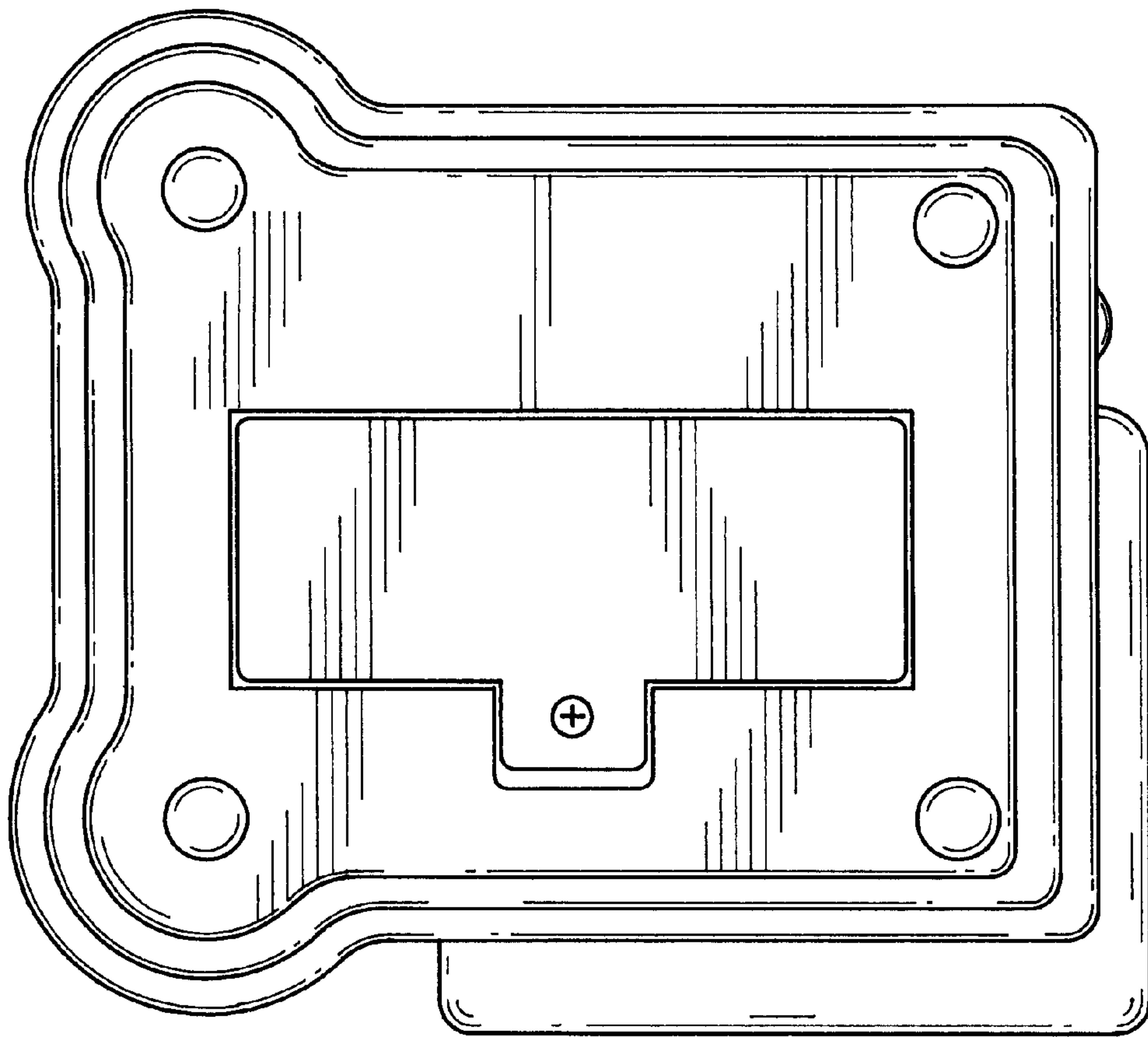


FIG. 4

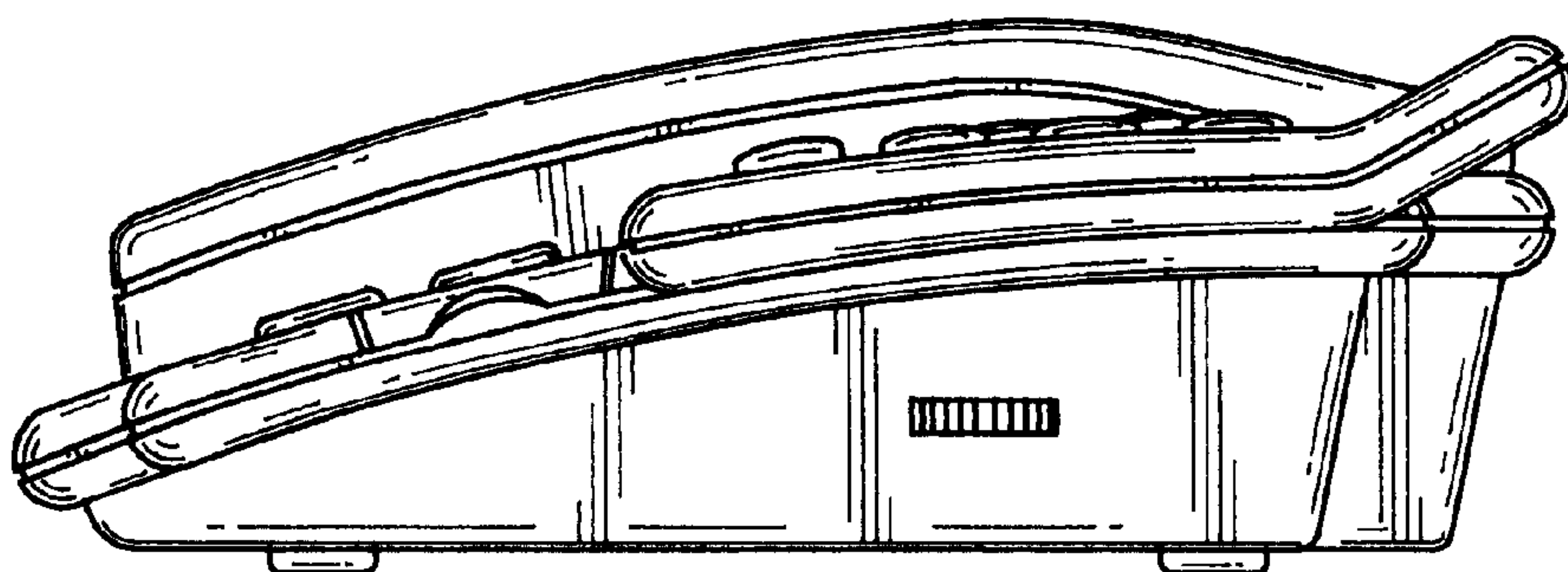


FIG. 5

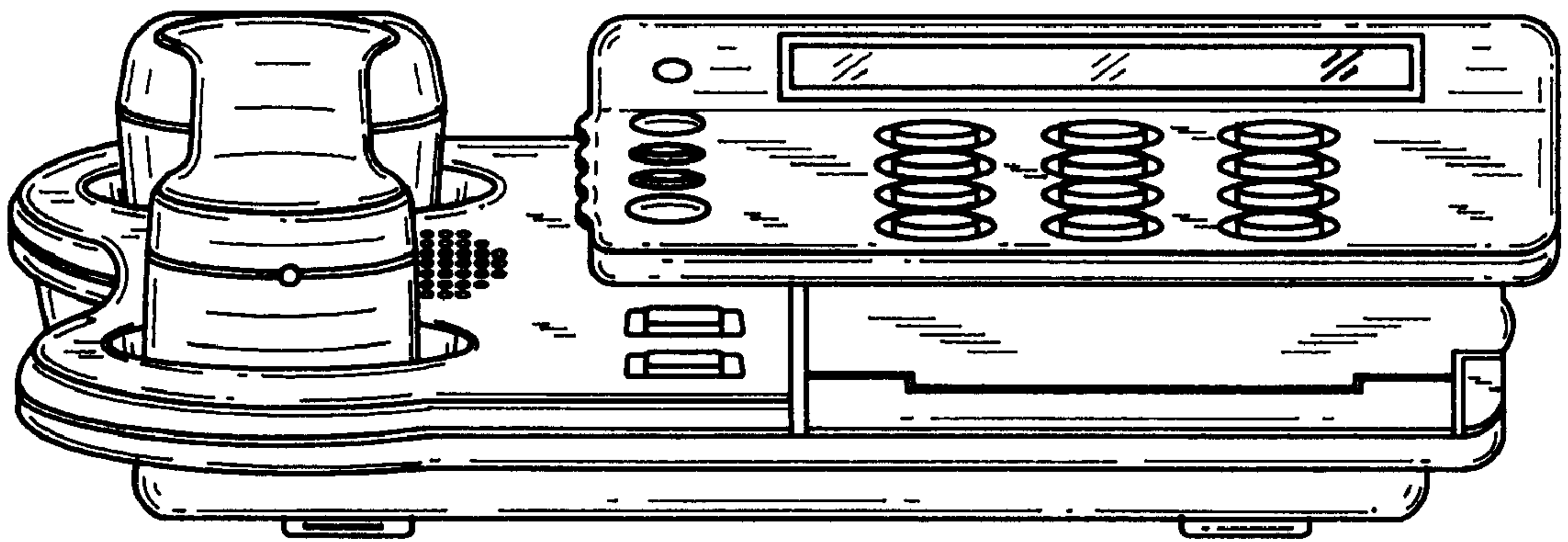


FIG. 6

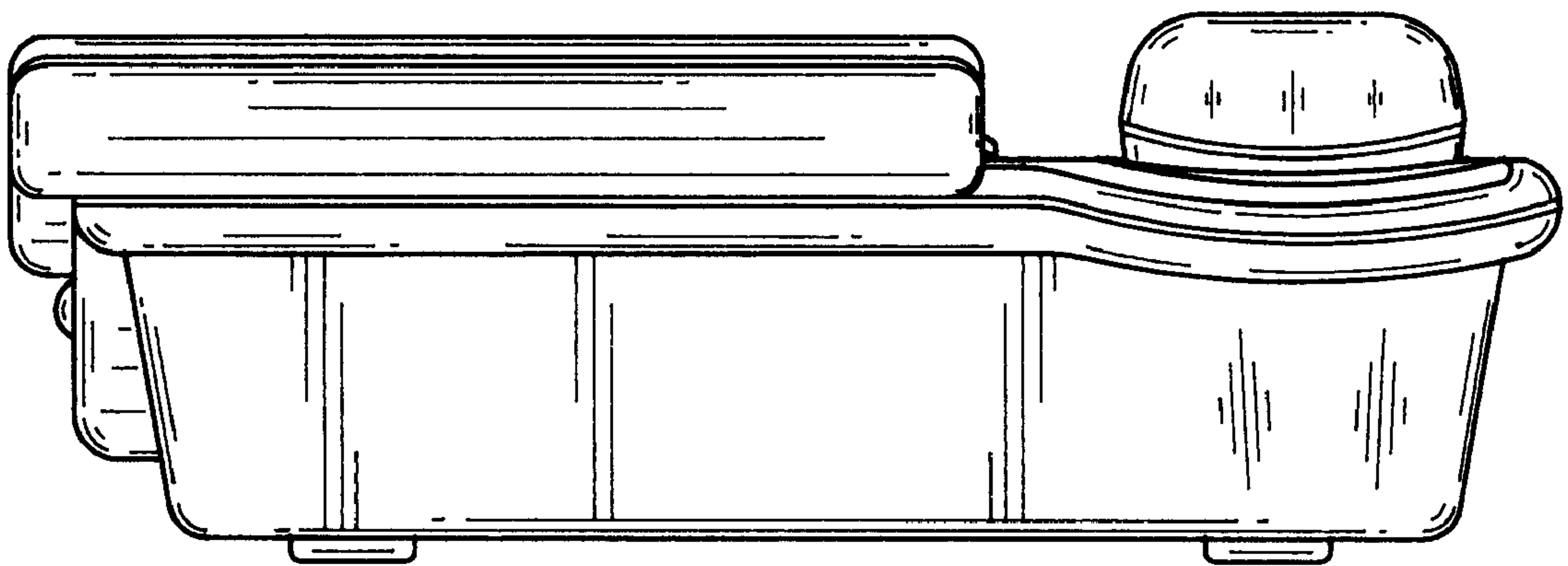


FIG. 7