



US00D420403S

United States Patent [19]

[11] **Patent Number: Des. 420,403**

Bart et al.

[45] **Date of Patent: ** Feb. 8, 2000**

[54] **REMOTE CONTROLLED BALL**

4,541,814	9/1985	Martin	446/456
4,927,401	5/1990	Sonesson	446/456
5,692,946	12/1997	Ku	446/456
5,871,386	2/1999	Bart et al.	446/460

[75] Inventors: **Philip D. Bart**, Pompano Beach, Fla.;
William T. Wilkinson, P.O. Box 73,
Salem, N.J. 08079

Primary Examiner—Dominic Simone
Attorney, Agent, or Firm—Connolly Bovelody & Hutz LLP

[73] Assignee: **William T. Wilkinson**, Salem, N.J.

[**] Term: **14 Years**

[57] **CLAIM**

[21] Appl. No.: **29/092,368**

The ornamental design for a remote controlled ball, as shown and described.

[22] Filed: **Aug. 17, 1998**

DESCRIPTION

[51] **LOC (7) Cl.** **21-01**

FIG. 1 is a rear elevational view of a remote controlled ball showing our new design;

[52] **U.S. Cl.** **D21/398**

FIG. 2 is a front elevational view thereof;

[58] **Field of Search** D21/398, 707,
D21/713; 446/454, 456

FIG. 3 is a right side elevational view thereof with the left side elevational view being a mirror image;

[56] **References Cited**

FIG. 4 is a top plan view thereof; and,

FIG. 5 is a bottom plan view thereof.

U.S. PATENT DOCUMENTS

D. 375,986 11/1996 Wilkinson D21/398

1 Claim, 2 Drawing Sheets

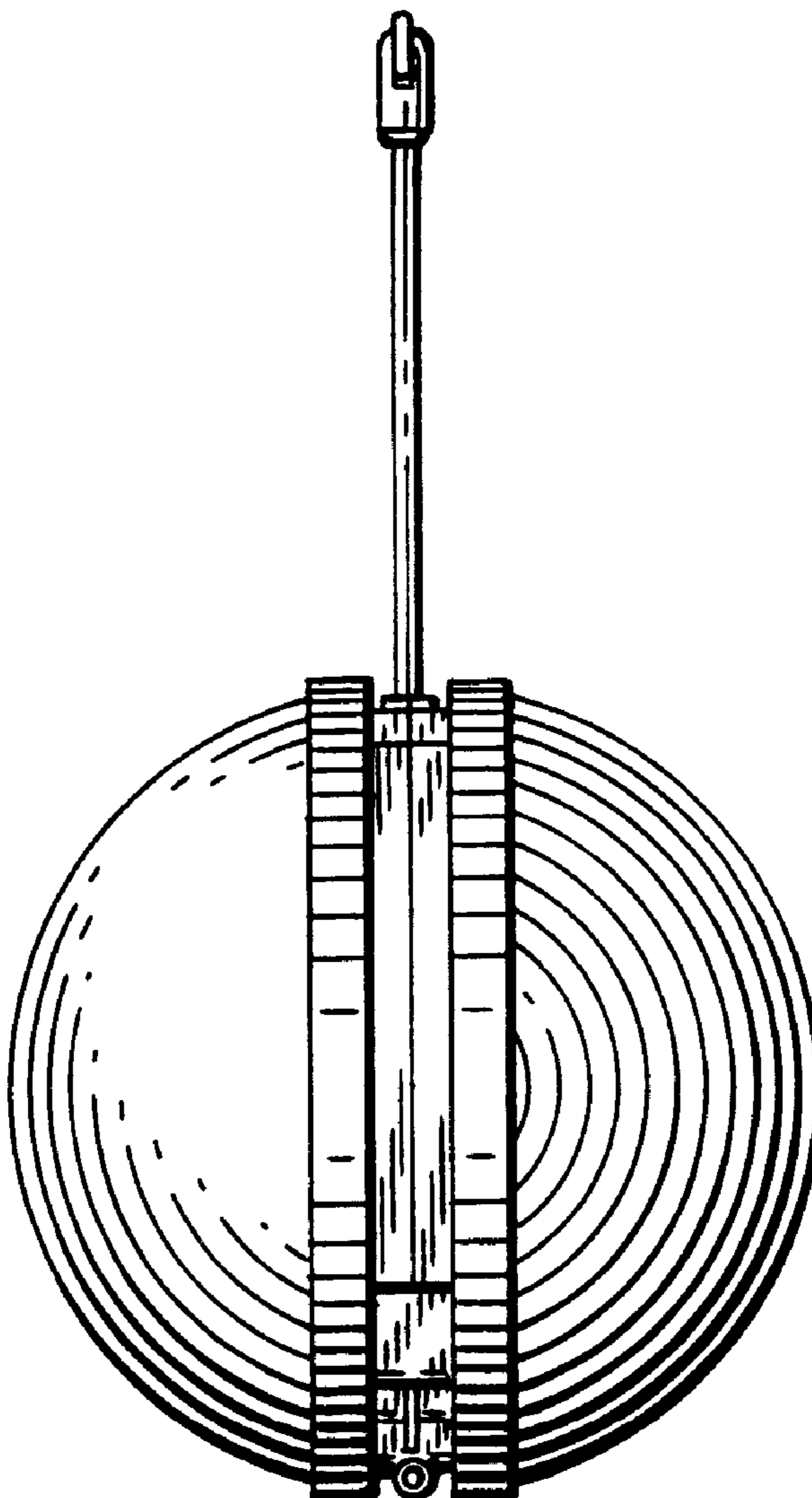


Fig. 1.

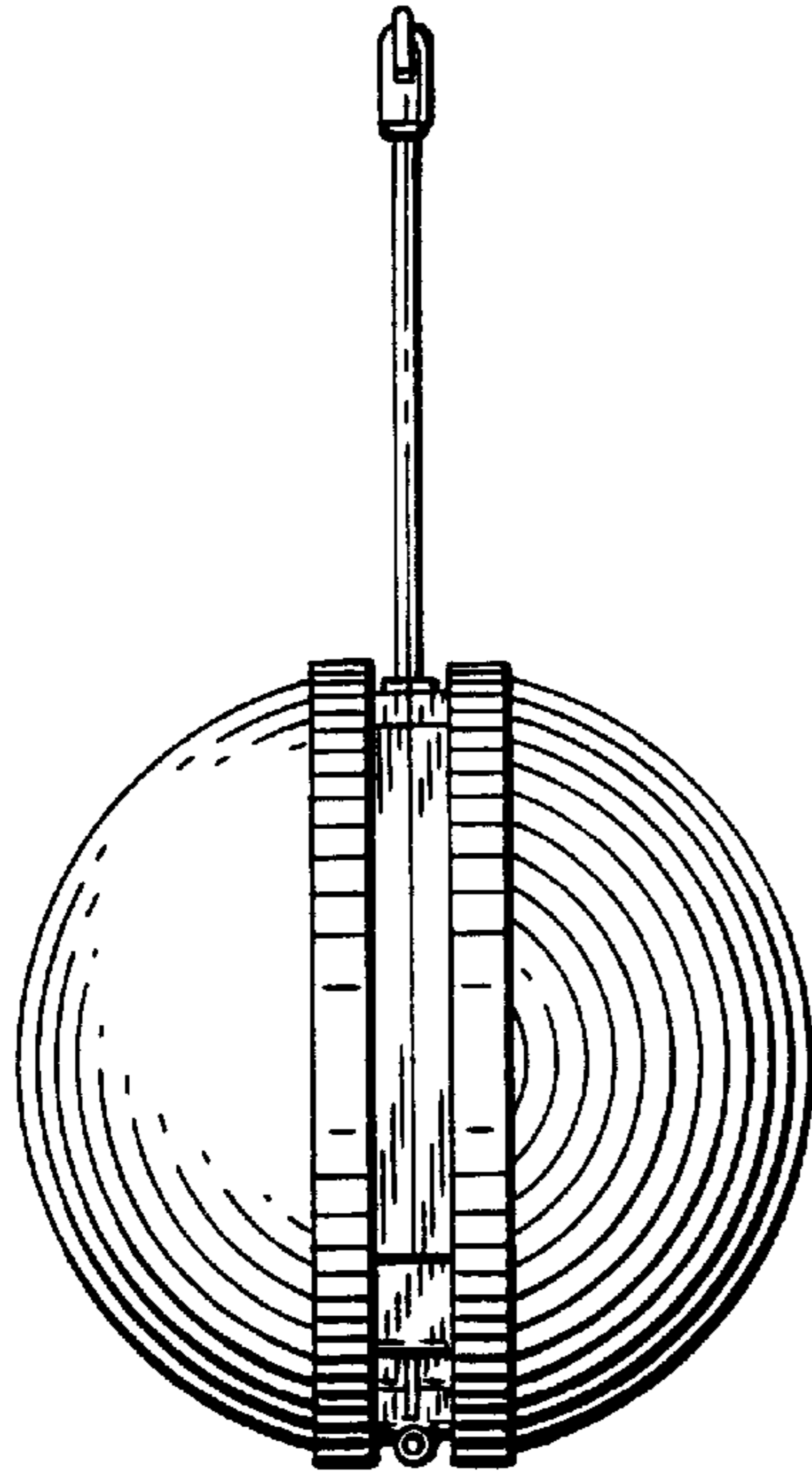


Fig. 4.

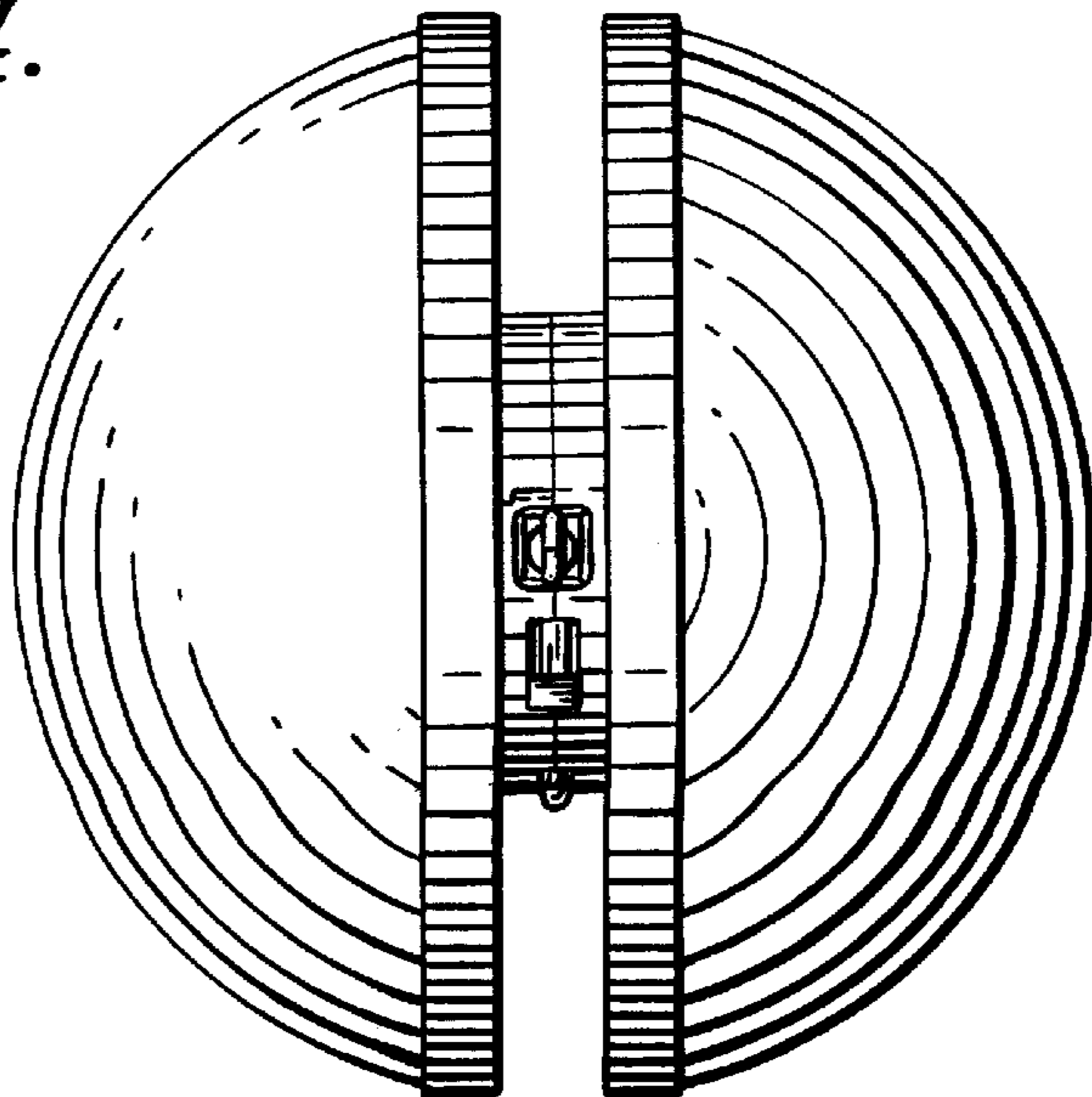


Fig. 2.

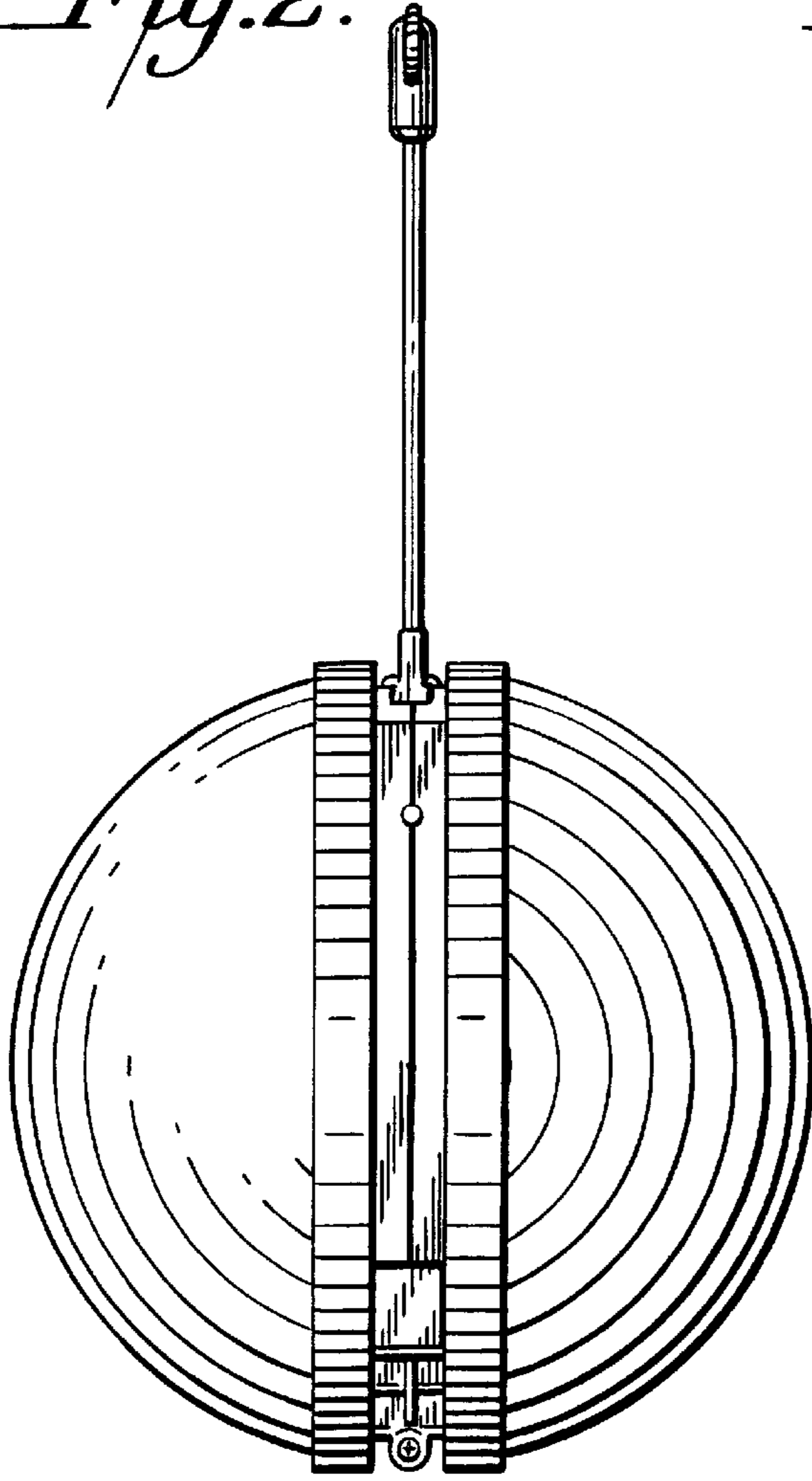


Fig. 3.

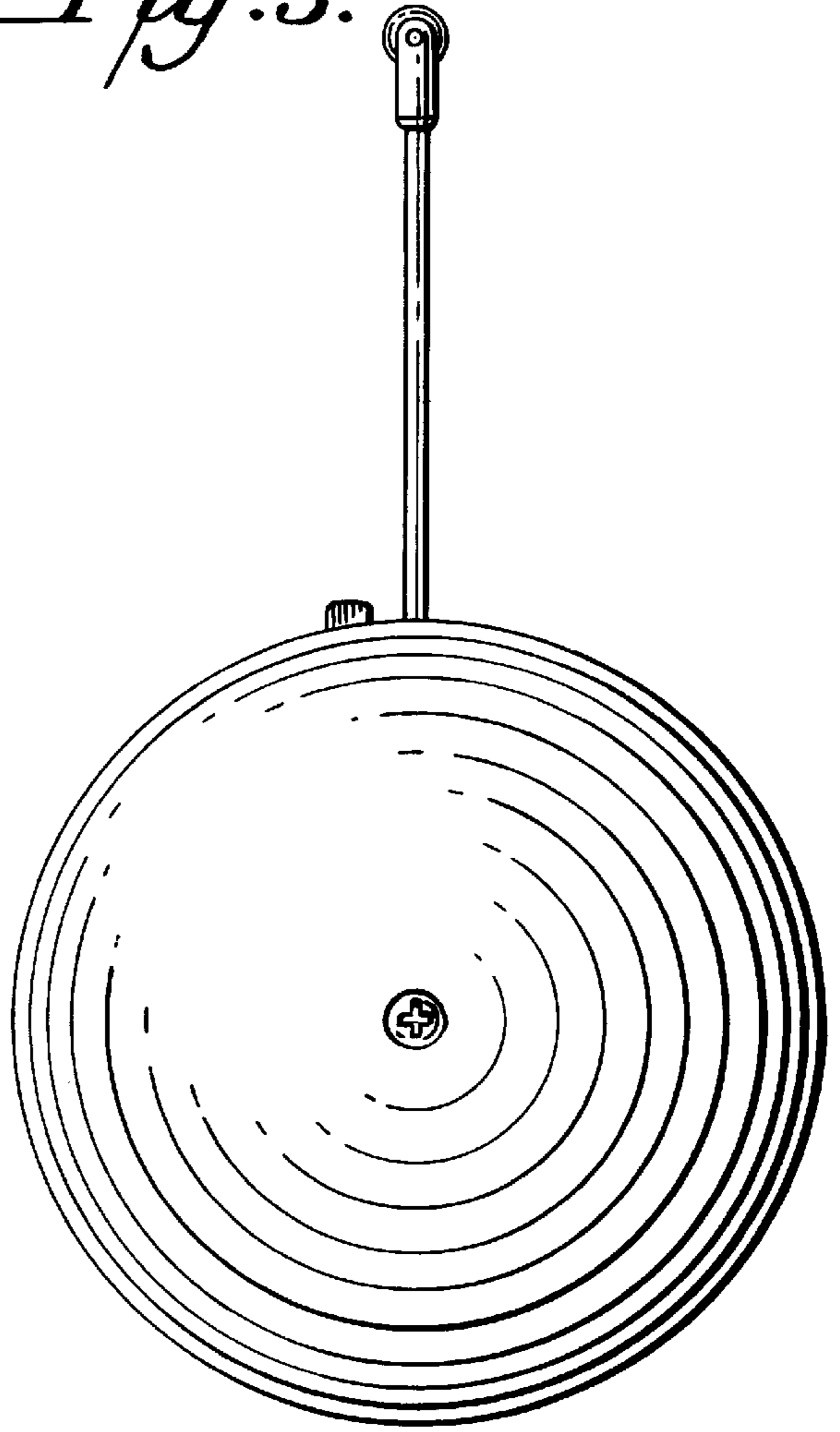


Fig. 5.

