



US00D420398S

**United States Patent** [19]  
**Fai**

[11] **Patent Number: Des. 420,398**

[45] **Date of Patent: \*\* Feb. 8, 2000**

[54] **FISHING GAME**

[75] **Inventor: Au Yeung Siu Fai**, Kowloon, The Hong Kong Special Administrative Region of the People's Republic of China

[73] **Assignee: Watercore Limited**, Tai Po, The Hong Kong Special Administrative Region of the People's Republic of China

[\*\*] **Term: 14 Years**

[21] **Appl. No.: 29/084,492**

[22] **Filed: Mar. 3, 1998**

**Related U.S. Application Data**

[63] Continuation of application No. 29/080,507, Dec. 10, 1997, abandoned.

[51] **LOC (7) Cl. .... 21-01**

[52] **U.S. Cl. .... D21/329**

[58] **Field of Search** ..... D21/329, 324, D21/333, 314; 273/148 B; 463/1, 7, 30, 37, 46, 47; 43/1, 4, 17, 18.1

[56] **References Cited**

**U.S. PATENT DOCUMENTS**

D. 246,049 10/1977 Nakamura ..... D22/138

D. 313,061 12/1990 Bascom et al. .... D22/134  
D. 397,729 9/1998 Schulz et al. .... D21/329  
3,924,350 12/1975 Hsu ..... 273/457 X  
5,232,223 8/1993 Dornbusch ..... 273/148 B  
5,542,672 8/1996 Meredith ..... 463/46 X  
5,730,655 3/1998 Meredith ..... 463/37

**OTHER PUBLICATIONS**

HongKong Enterprise, p. 133, Oct. 1994.

*Primary Examiner*—Prabhakar Deshmukh  
*Attorney, Agent, or Firm*—Ladas & Parry

[57] **CLAIM**

The ornamental design for a “fishing game”, as shown.

**DESCRIPTION**

FIG. 1 is a perspective view of a “fishing game” showing my new design;

FIG. 2 is a top view thereof;

FIG. 3 is a left side elevational view thereof;

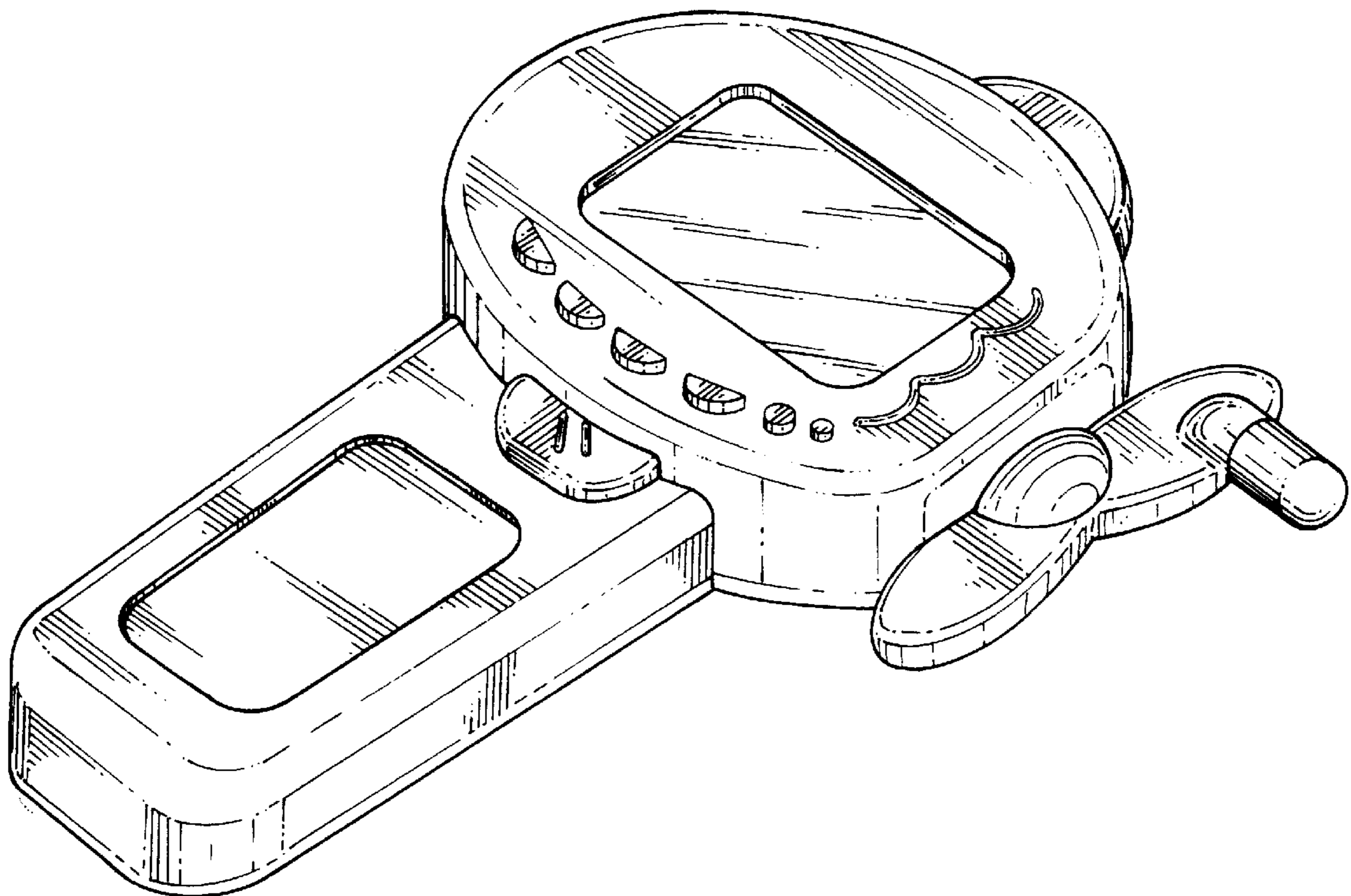
FIG. 4 is a front view thereof;

FIG. 5 is a right side elevational view thereof;

FIG. 6 is a rear view thereof; and,

FIG. 7 is a bottom view thereof.

**1 Claim, 4 Drawing Sheets**



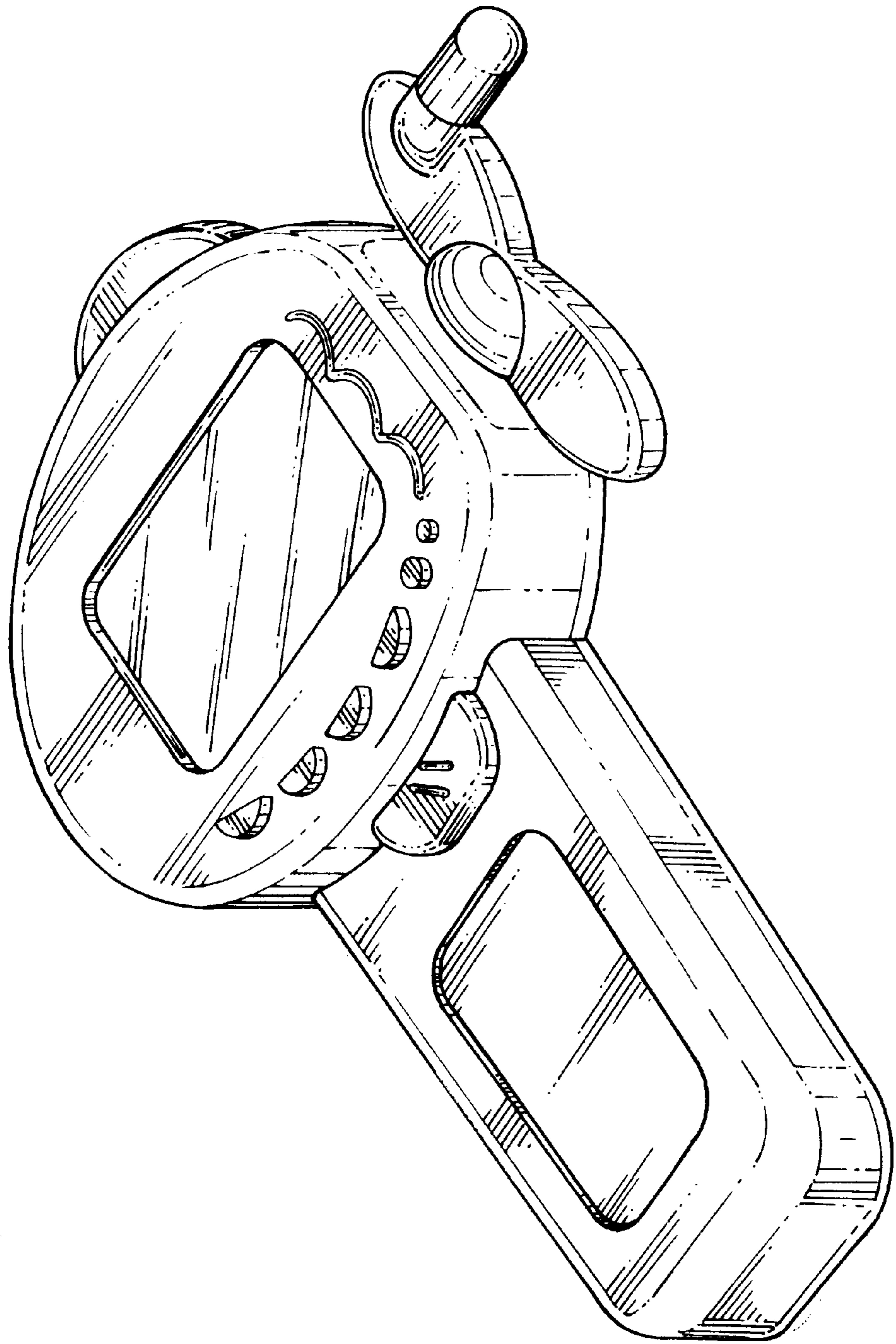


FIG. 1

FIG. 2

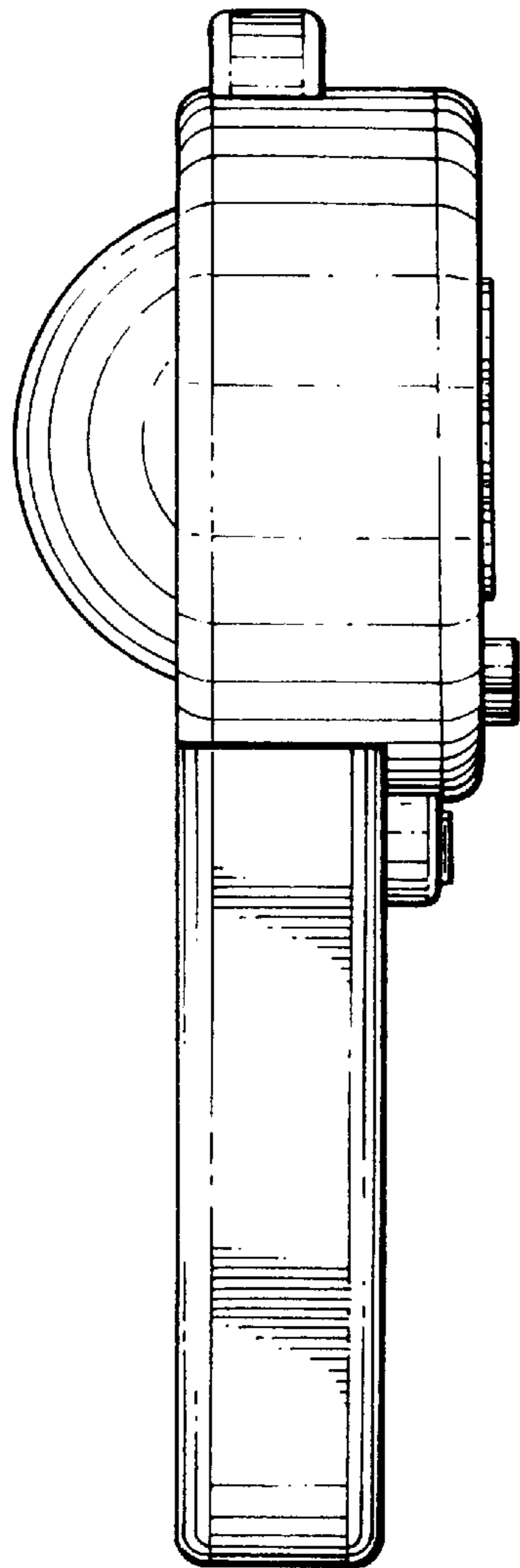
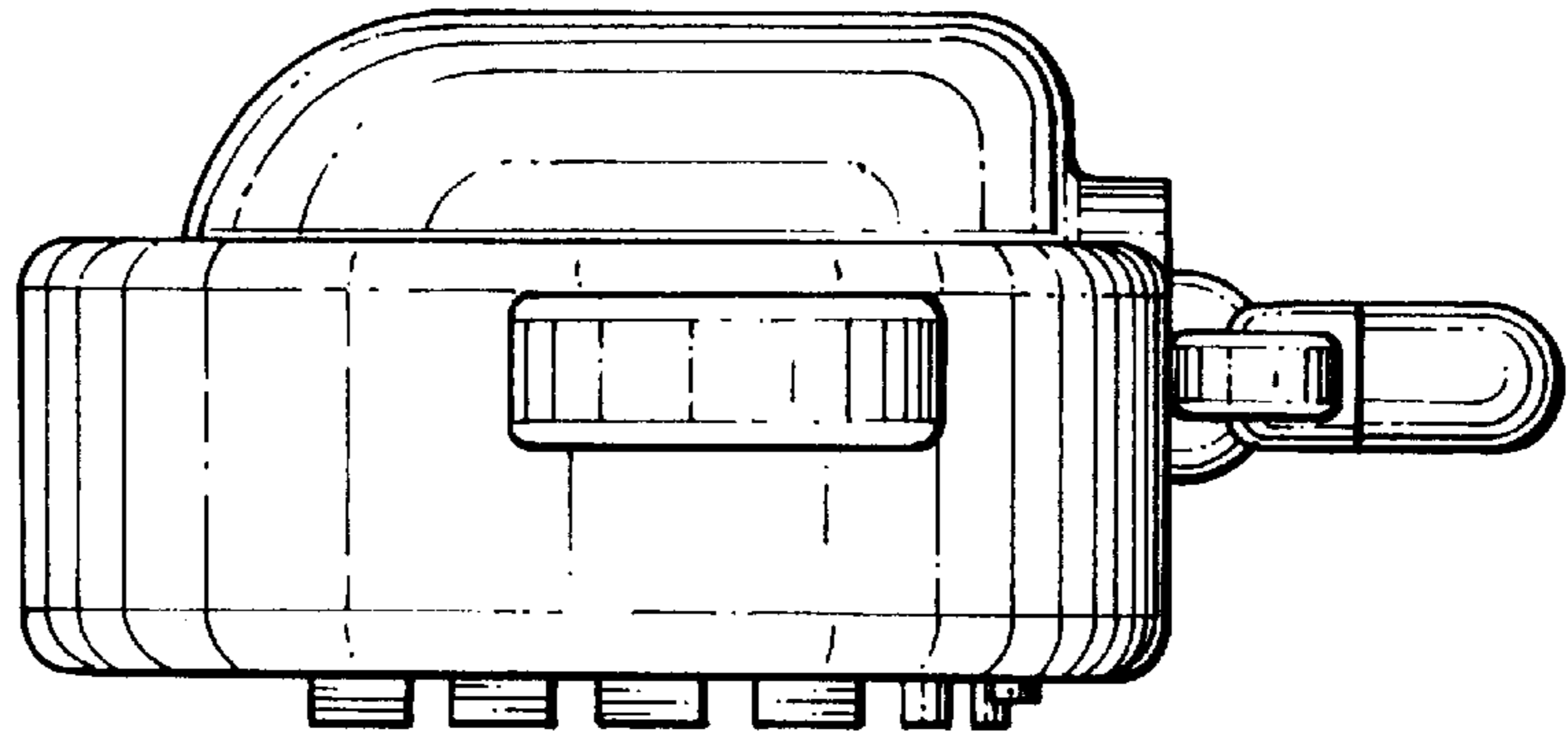


FIG. 3

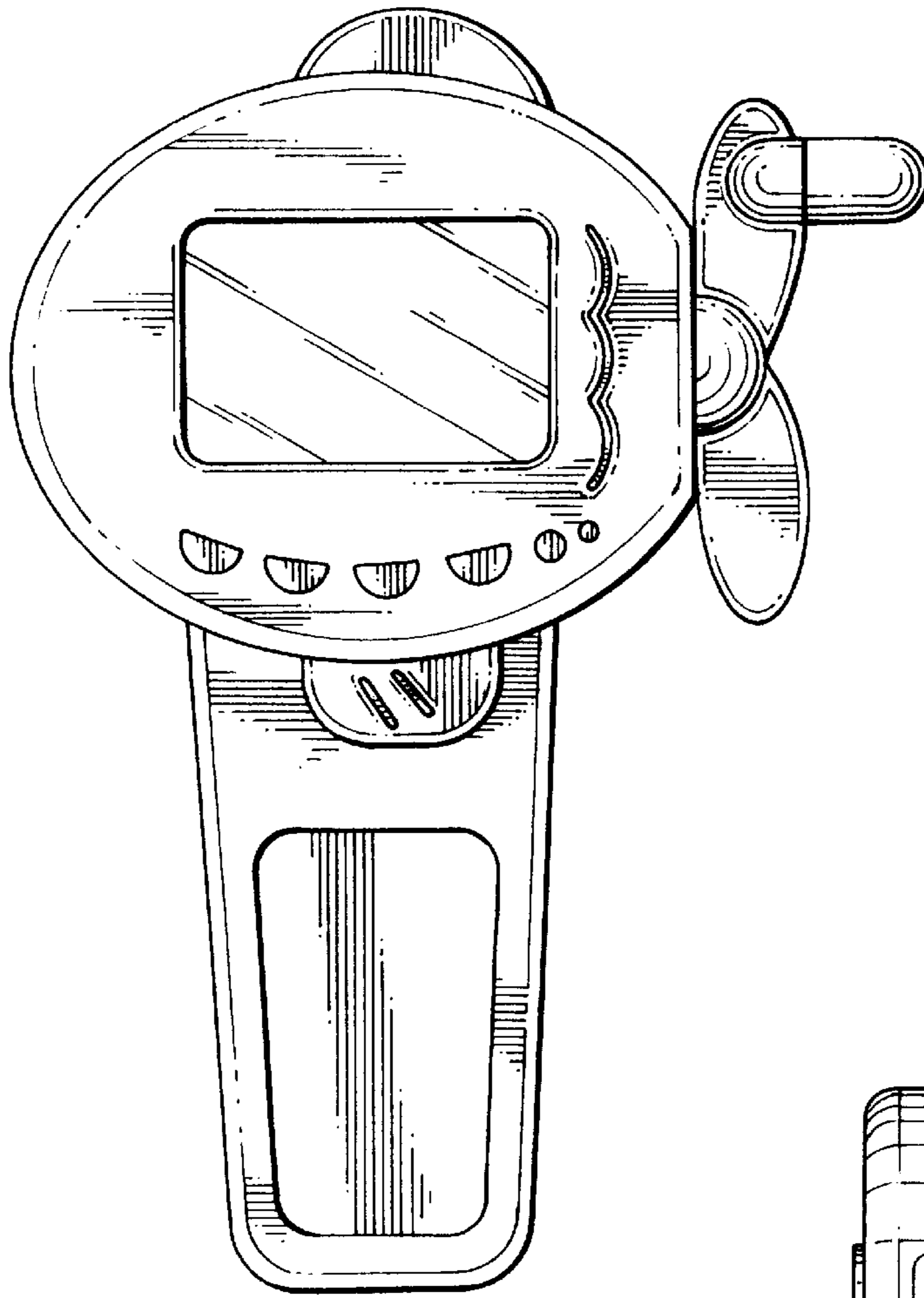


FIG. 4

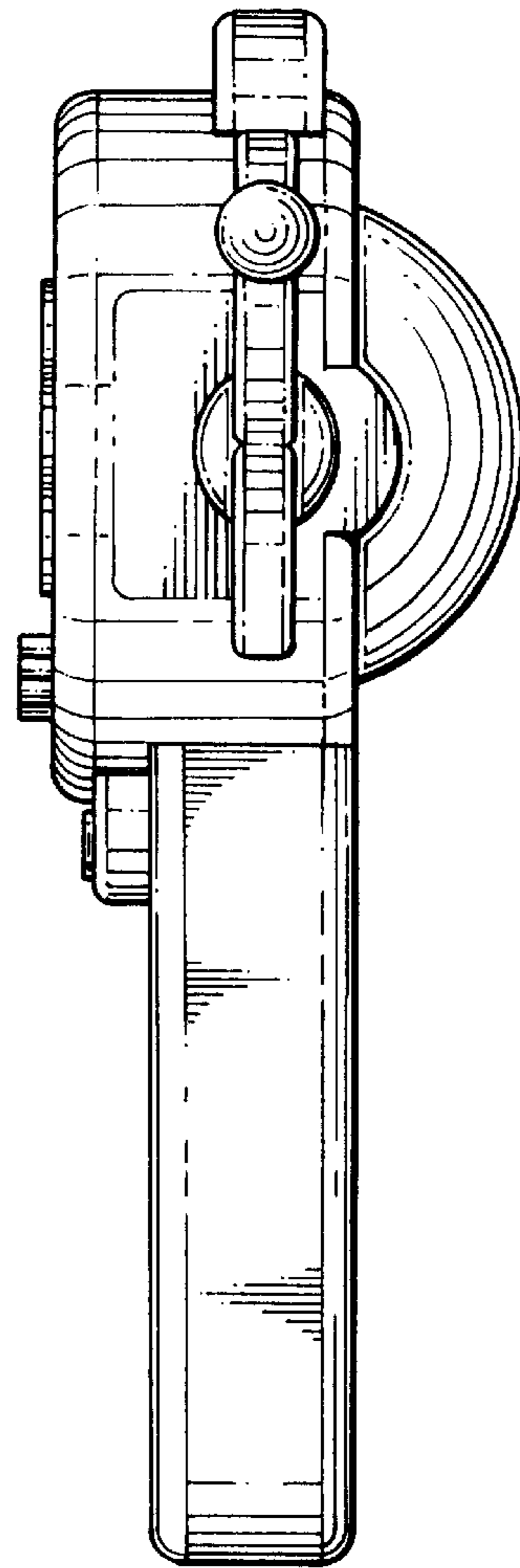


FIG. 5

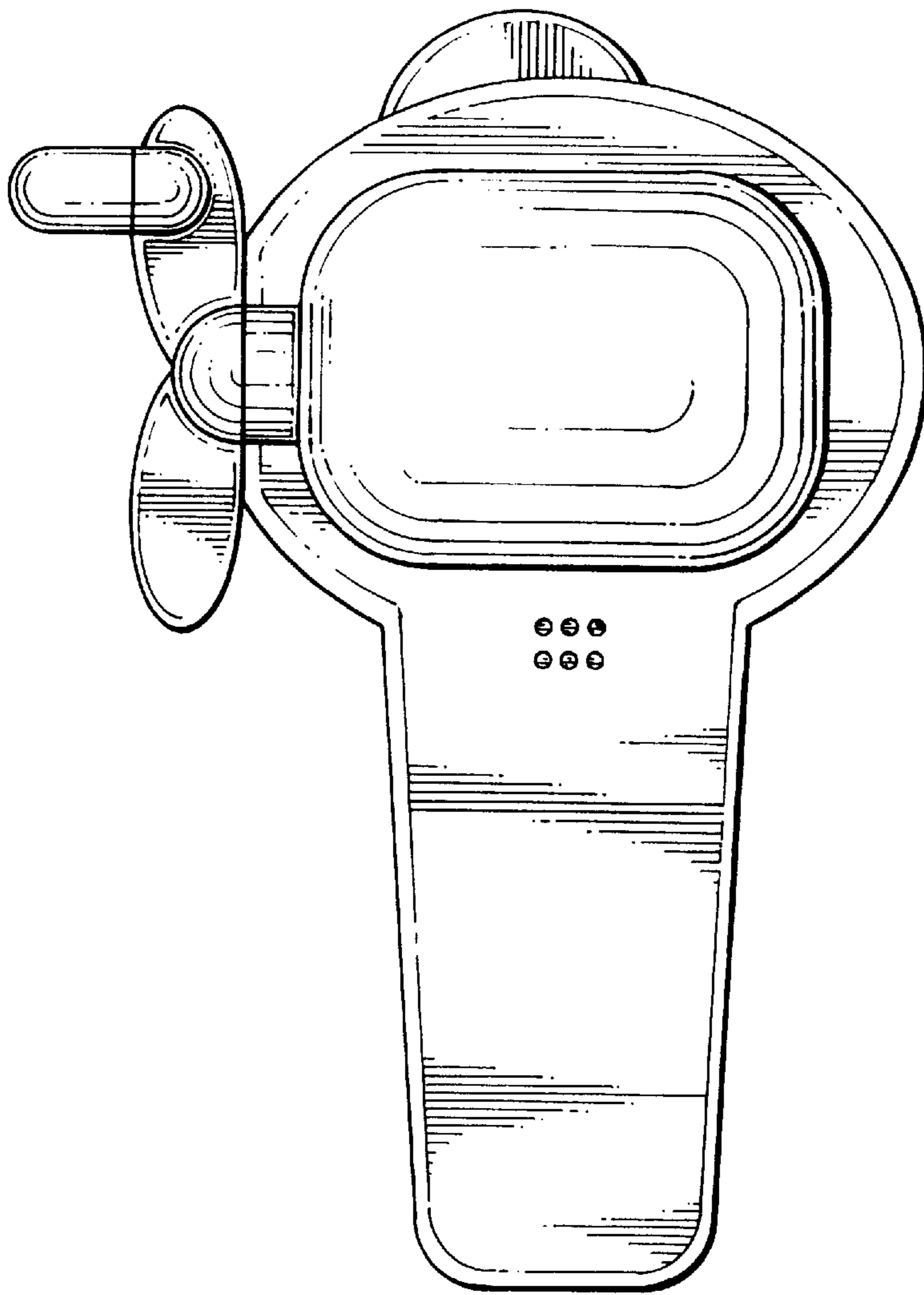


FIG. 6

FIG. 7

