



US00D420393S

United States Patent [19]

Manno, Sr.

[11] Patent Number: **Des. 420,393**

[45] Date of Patent: **** Feb. 8, 2000**

[54] **DIVERTER HOOD**

2,757,060 7/1956 Shepherd D20/4 X
3,709,145 1/1973 Williamson D20/2 X

[76] Inventor: **John A. Manno, Sr.**, 601 Dodd Dr.,
Shreveport, La. 71107

Primary Examiner—Nanda Bondade
Attorney, Agent, or Firm—John M Harrison

[**] Term: **14 Years**

[57] CLAIM

[21] Appl. No.: **29/088,437**

The ornamental design for a “diverter hood”, as shown and described.

[22] Filed: **May 22, 1998**

DESCRIPTION

[51] **LOC (7) Cl.** **20-01**

[52] **U.S. Cl.** **D20/8**

[58] **Field of Search** D6/408, 515–517;
D20/1–9; 19/205, 206, 212, 255, 350; 221/75,
92, 96–97, 133; 312/138.1, 234

FIG. 1 is a perspective view of the diverter hood, showing my new design;

FIG. 2 is an enlarged right side elevation view thereof;

FIG. 3 is a front elevation thereof;

FIG. 4 is a rear elevation thereof;

FIG. 5 is a top plan view thereof; and,

FIG. 6 is a bottom plan view thereof.

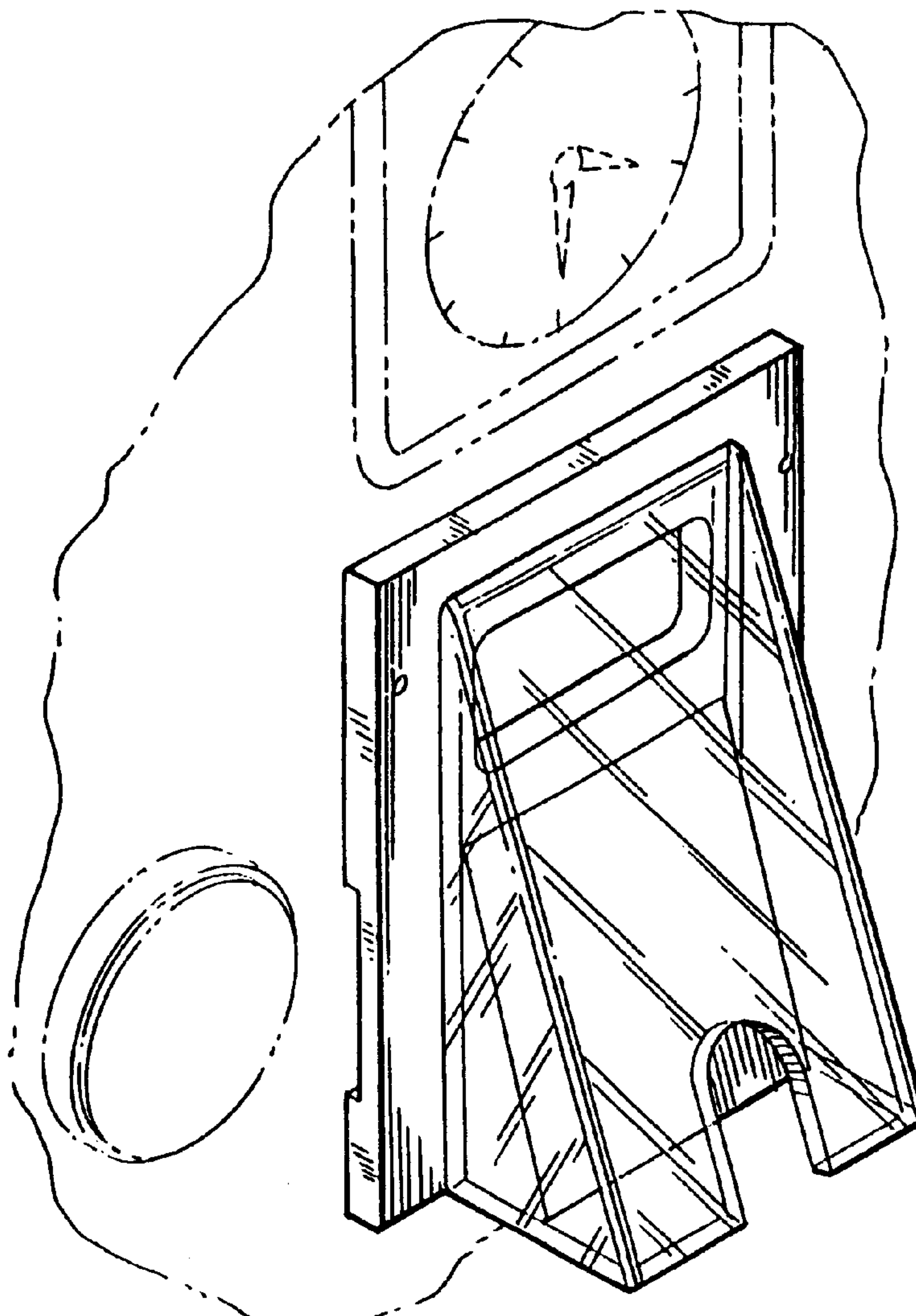
The broken line showing on FIG. 1 is for illustrative purposes only and forms no part of the claimed design.

[56] References Cited

U.S. PATENT DOCUMENTS

D. 250,241 11/1978 Braginetz D6/515 X
D. 256,377 8/1980 MacKrell D20/8
D. 282,936 3/1986 Gardner et al. D20/1
D. 345,481 3/1994 Fracalosi D6/515

1 Claim, 2 Drawing Sheets



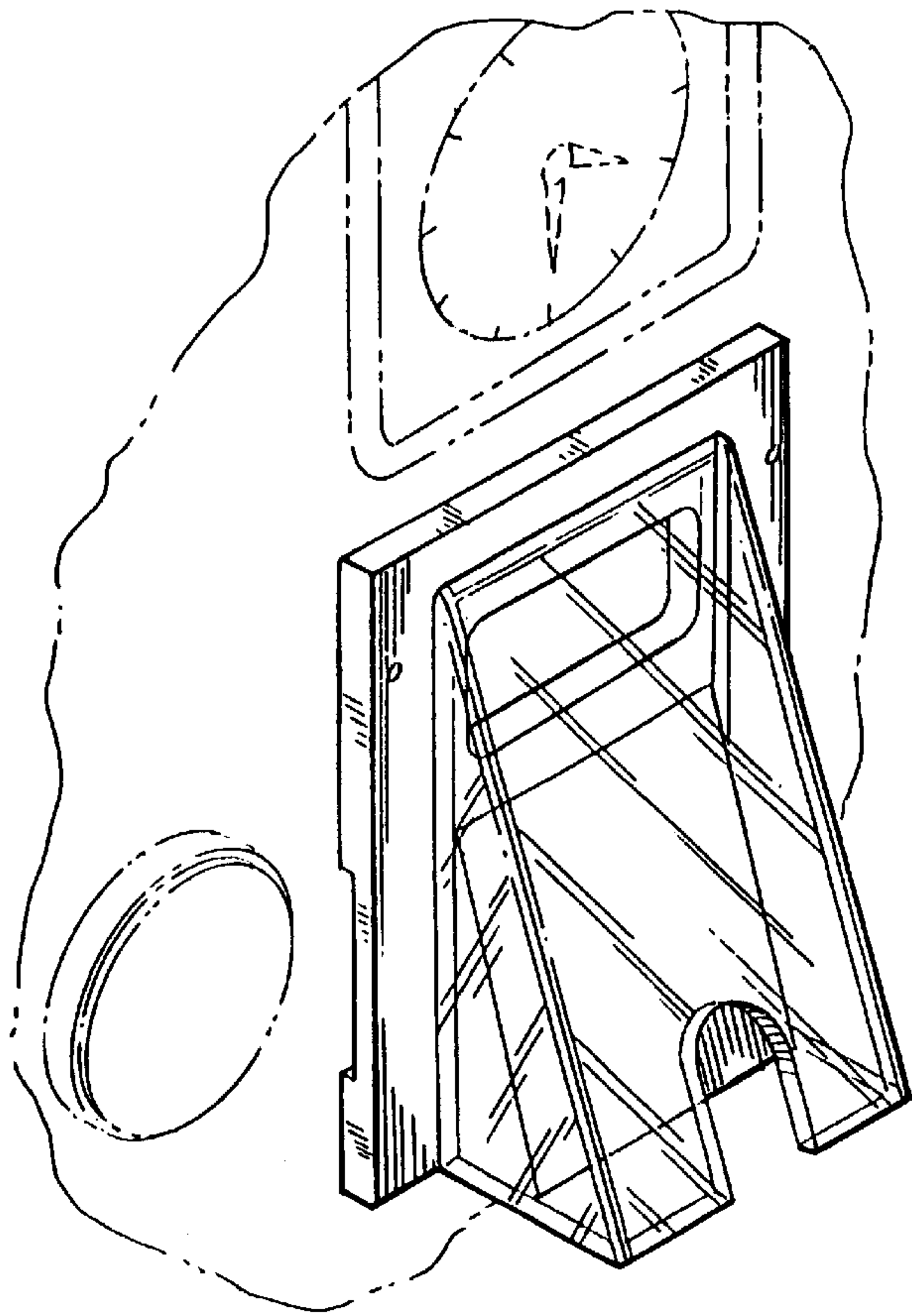


FIG. 1

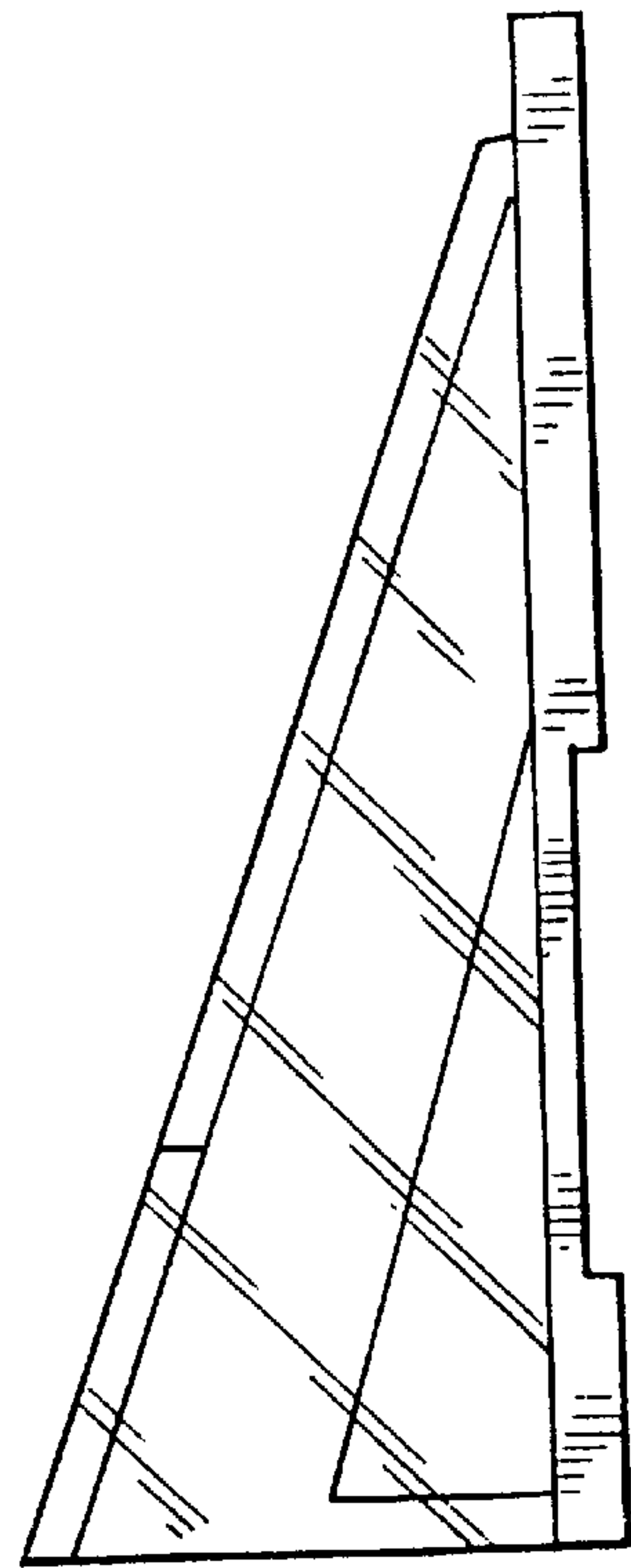


FIG. 2

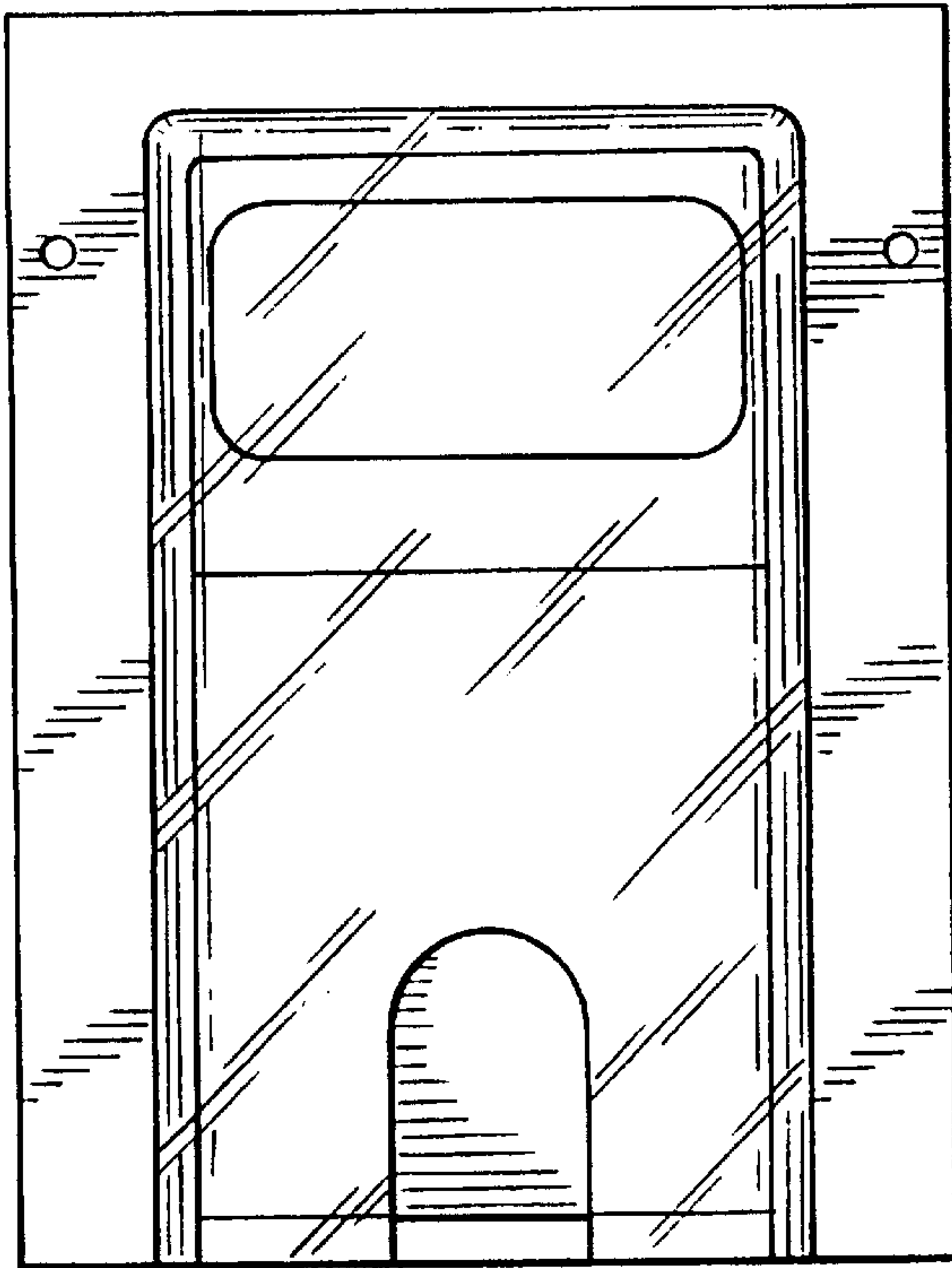


FIG. 3

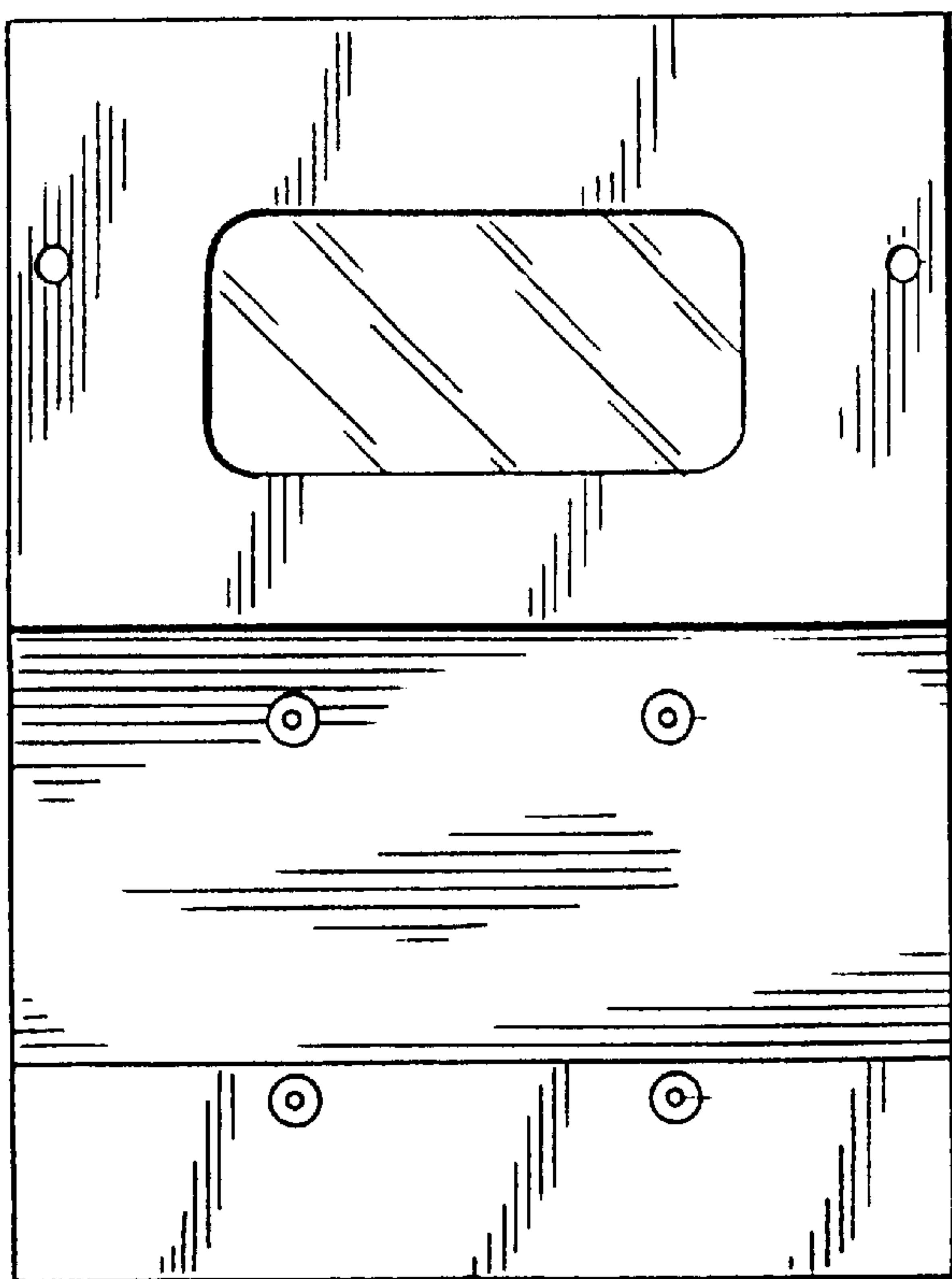


FIG. 4

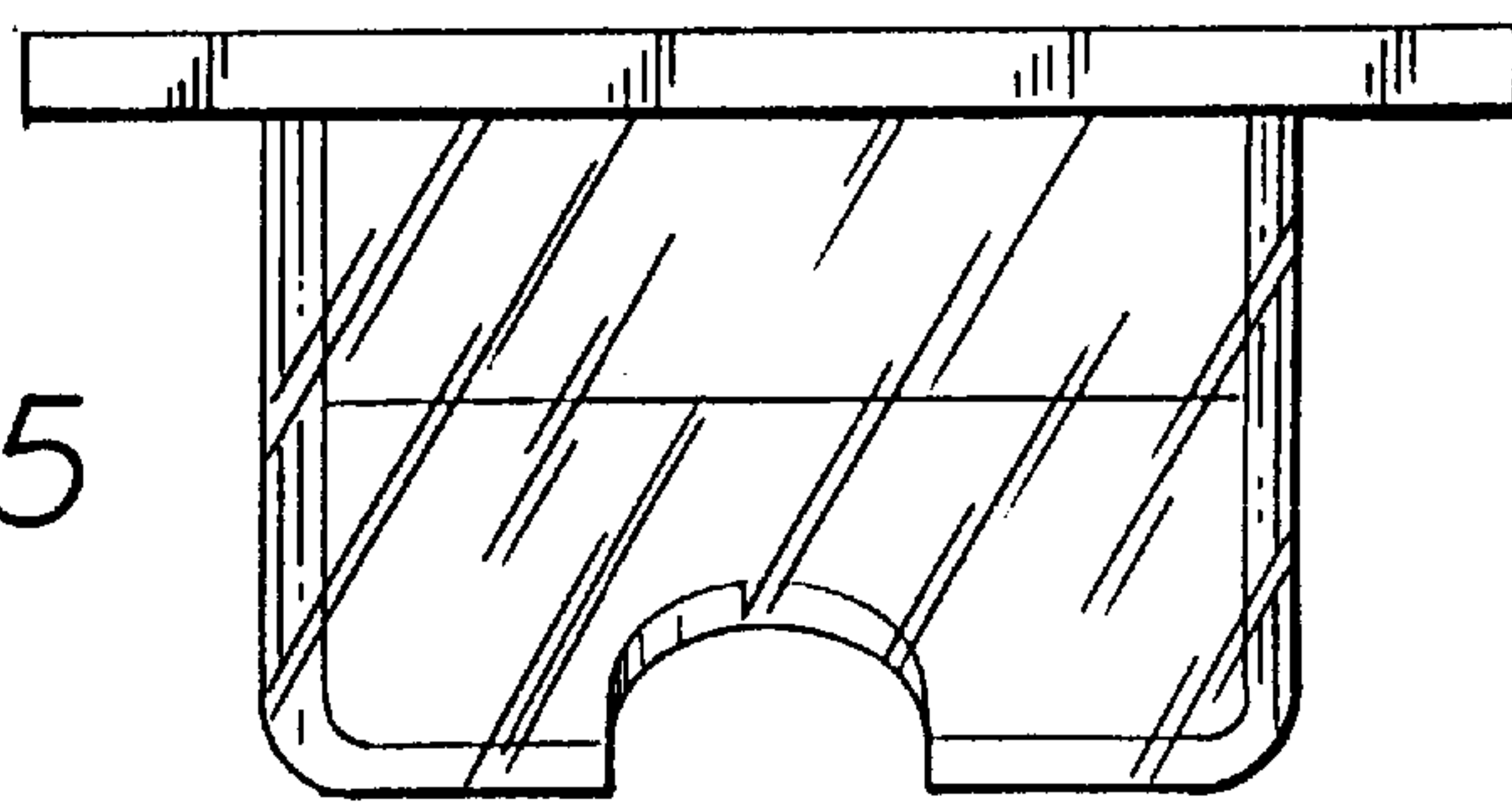


FIG. 5

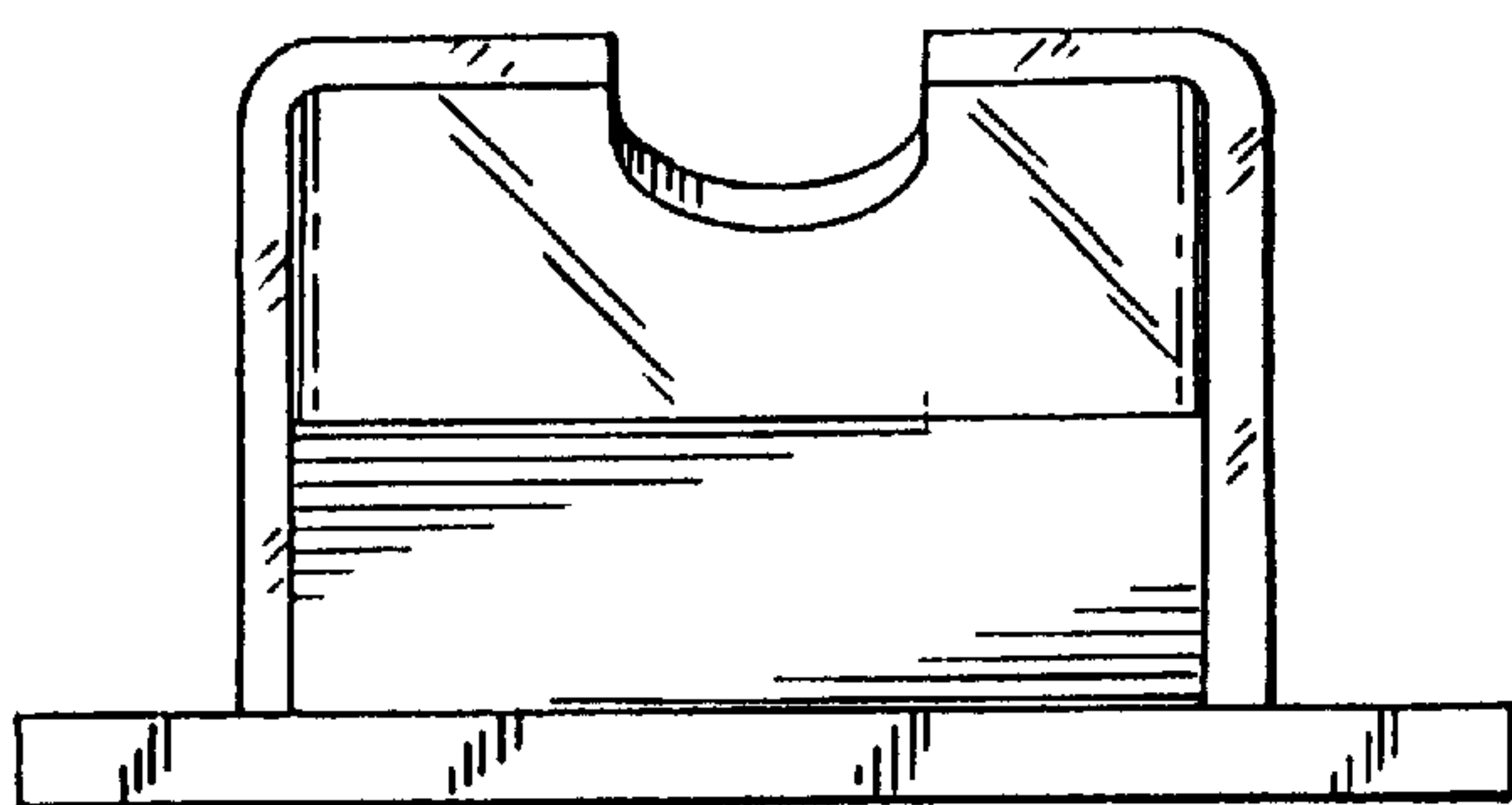


FIG. 6