



US00D420391S

United States Patent [19]
Nelson

[11] **Patent Number: Des. 420,391**
[45] **Date of Patent: ** Feb. 8, 2000**

[54] **BOOK CLAMP**

[76] Inventor: **Sharon Nelson**, 9840 W. 153rd, Apt. 3 SE., Orland Park, Ill. 60462

[**] Term: **14 Years**

[21] Appl. No.: **29/096,989**

[22] Filed: **Nov. 25, 1998**

[51] **LOC (7) Cl.** **19-02**

[52] **U.S. Cl.** **D19/91; D19/86; D19/65**

[58] **Field of Search** D19/34, 65, 75, D19/78, 86, 91, 88, 99, 100; D8/395; 116/234, 237, 239; 281/42, 45; 248/445, 450, 444.1, 451, 452, 453, 441.1; 24/67 R, 67.1-67.11, DIG. 8, 455, 459, 499, 530

[56] **References Cited**

U.S. PATENT DOCUMENTS

D. 46,314	8/1914	Levy	D19/91 X
D. 256,806	9/1980	Tisdale	D19/34
D. 269,188	5/1983	Tisdale	D19/65 X
336,495	2/1886	Smith .	
358,072	2/1887	Rivers .	
369,217	8/1887	Thompson .	
399,411	3/1889	Hyland .	
783,906	2/1905	Spielman .	
1,569,986	1/1926	Kurtzeborn .	
1,762,686	6/1930	Hayashi .	

2,606,042	8/1952	Freber .	
2,834,149	5/1958	Flahive et al.	248/445
3,330,524	7/1967	Foley	248/444.1
3,737,178	6/1973	Tjernlund et al. .	
4,015,813	4/1977	Graham	248/452
4,487,156	12/1984	Frost	116/239
4,735,438	4/1988	Demarest, Jr. .	
4,908,912	3/1990	Grant .	
5,005,796	4/1991	Diownie	248/451
5,136,754	8/1992	Kuroda .	

Primary Examiner—Martie K. Holtje
Attorney, Agent, or Firm—Ryndak & Lyerla

[57] **CLAIM**

The ornamental design for a book clamp, as shown.

DESCRIPTION

FIG. 1 is a front perspective view of the book clamp in accordance with the invention;
FIG. 2 is a top plan view of the book clamp of FIG. 1;
FIG. 3 is a front elevation view of the book clamp of FIG. 1;
FIG. 4 is a right side elevation view of the book clamp of FIG. 1;
FIG. 5 is a rear elevation view of the book clamp of FIG. 1;
FIG. 6 is a left side elevation view of the book clamp of FIG. 1; and,
FIG. 7 is a bottom plan view of the book clamp of FIG. 1.

1 Claim, 2 Drawing Sheets

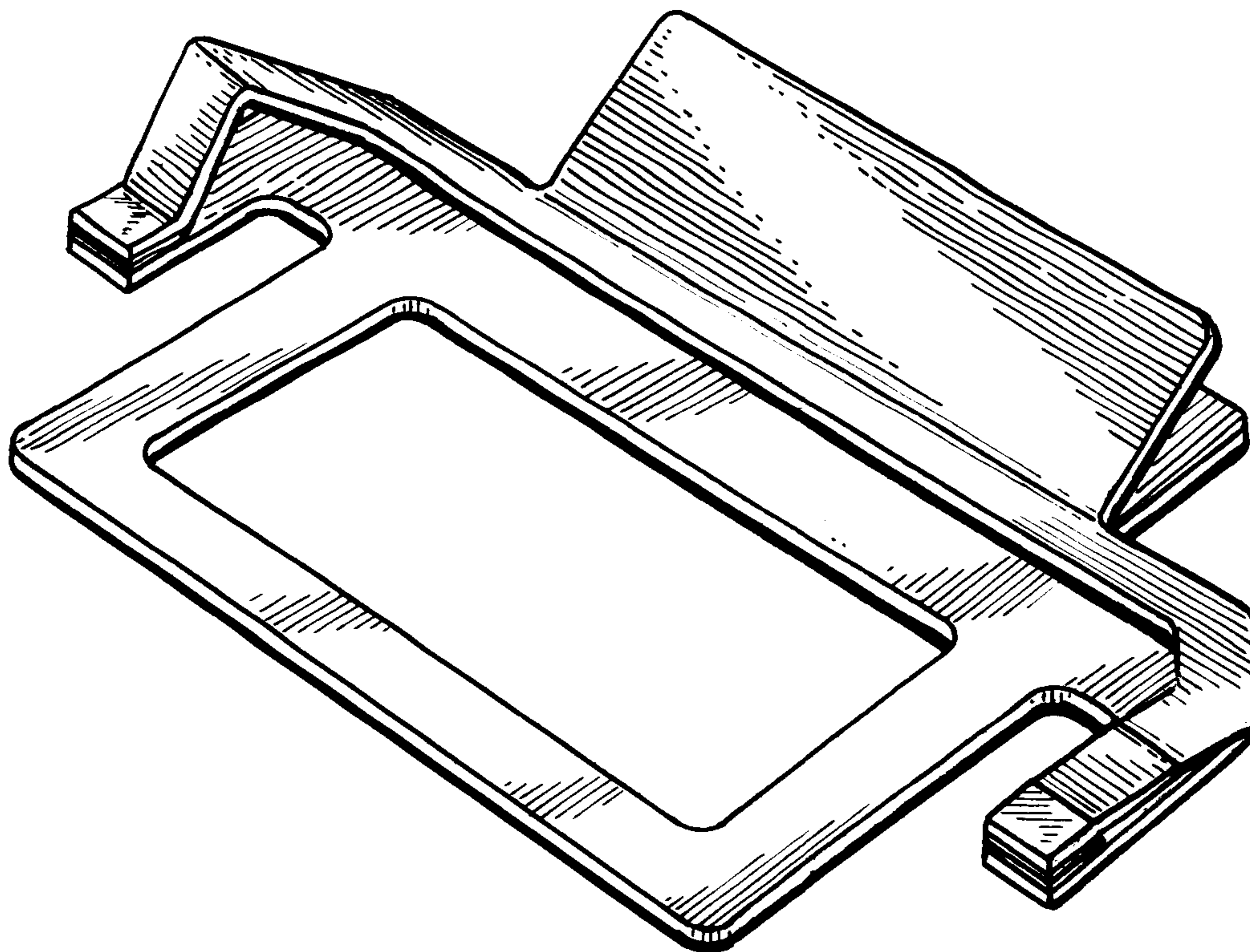


FIG. 1

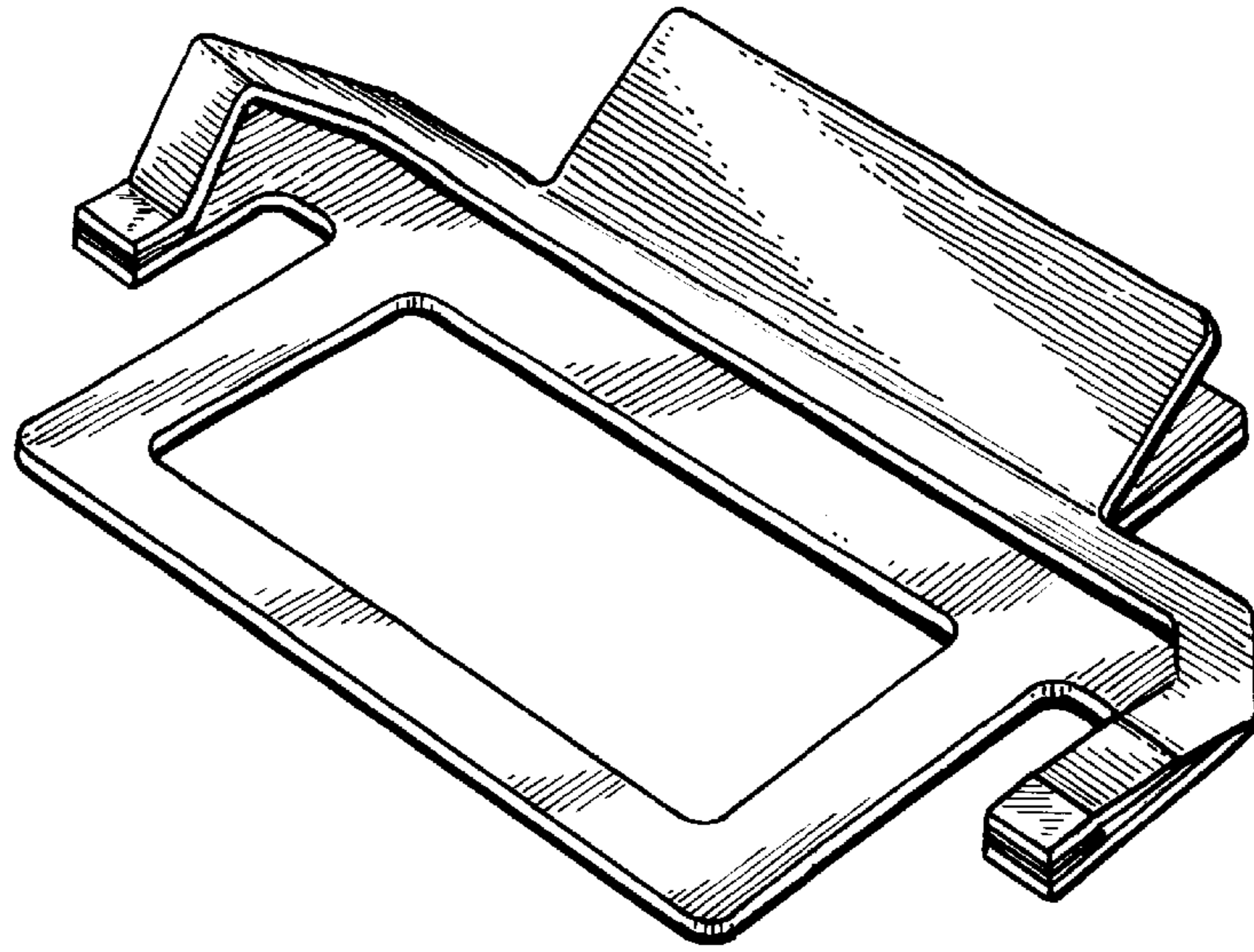


FIG. 2

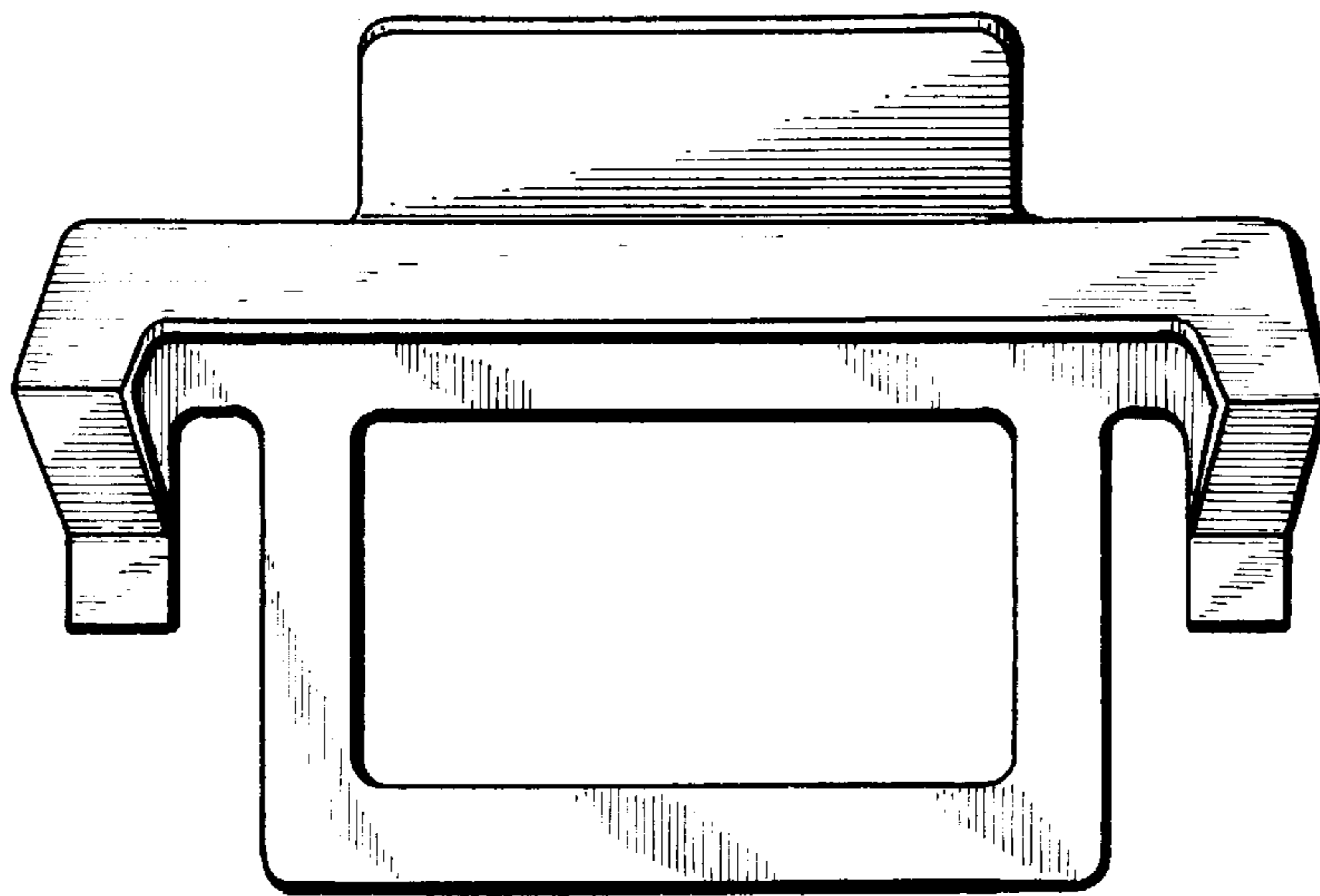


FIG. 3

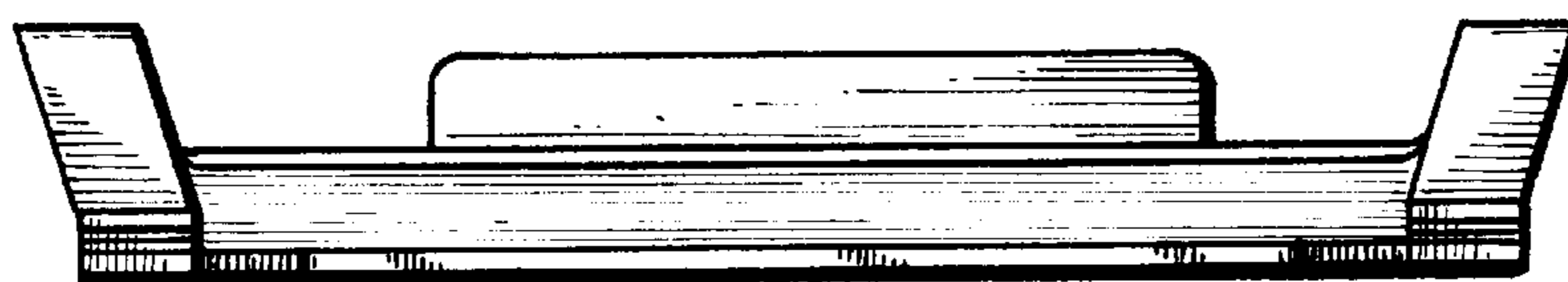


FIG. 4



FIG. 5

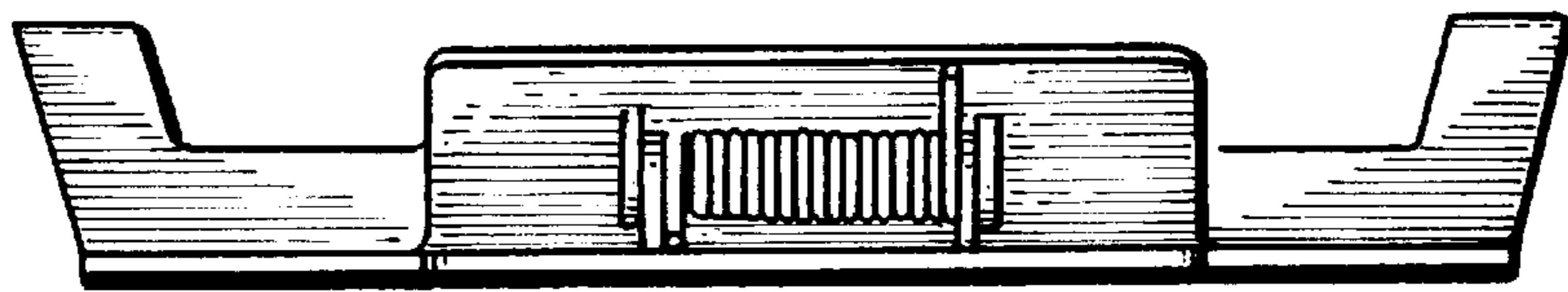


FIG. 6

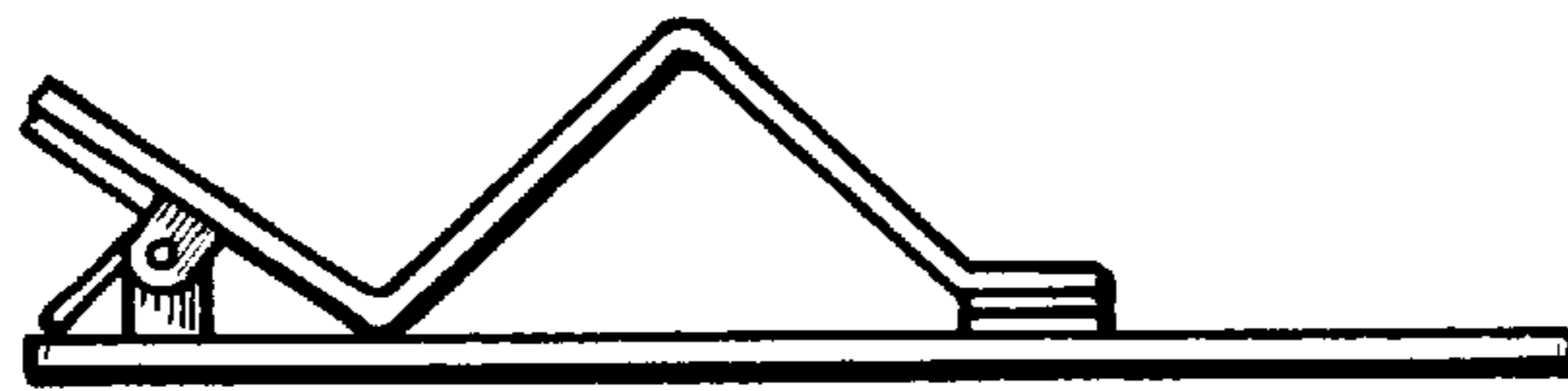


FIG. 7

