



US00D420389S

# United States Patent [19] Shimizu

[11] Patent Number: **Des. 420,389**

[45] Date of Patent: **\*\* Feb. 8, 2000**

[54] **CORRECTION TAPE HOLDER**

[75] Inventor: **Kazuhisa Shimizu**, Kami Ikedai, Japan

[73] Assignee: **Pentel Kabushiki Kaisha**, Japan

[\*\*] Term: **14 Years**

[21] Appl. No.: **29/096,931**

[22] Filed: **Nov. 24, 1998**

[30] **Foreign Application Priority Data**

May 28, 1998 [JP] Japan ..... 10-15188

[51] **LOC (7) Cl.** ..... **19-02**

[52] **U.S. Cl.** ..... **D19/69; D19/67; D19/53**

[58] **Field of Search** ..... D19/53, 65, 66,  
D19/67, 68, 69, 99, 100; 225/6, 7, 19, 24,  
34, 35, 44, 45, 56, 65, 77, 89; 156/523,  
527, 577, 510, 584; 118/43, 235, 500; 242/159,  
430, 520, 570, 585, 598

[56] **References Cited**

**U.S. PATENT DOCUMENTS**

D. 355,934 2/1995 Oga et al. .... D19/69  
D. 365,852 1/1996 Parsey et al. .... D19/67 X  
D. 369,385 4/1996 Lapointe ..... D19/69

D. 405,829 2/1999 Ono et al. .... D19/69  
5,430,904 7/1995 Ono et al. .... 156/577 X  
5,595,626 1/1997 Yokouchi et al. .... 156/523 X  
5,670,014 9/1997 Mendelovich et al. .... 156/523

*Primary Examiner*—Martie K. Holtje  
*Attorney, Agent, or Firm*—Adams & Wilks

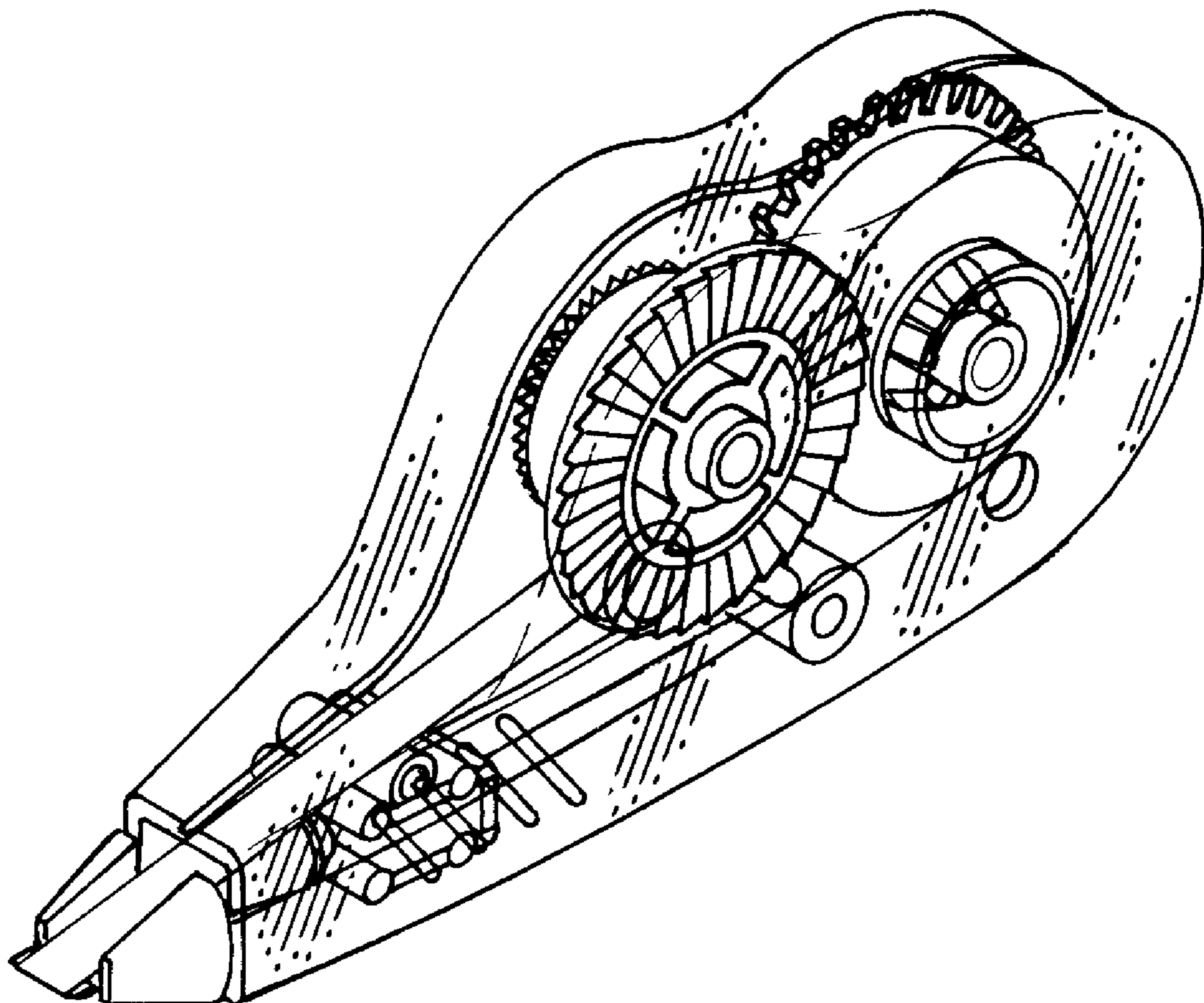
[57] **CLAIM**

The ornamental design for a correction tape holder, as shown and described.

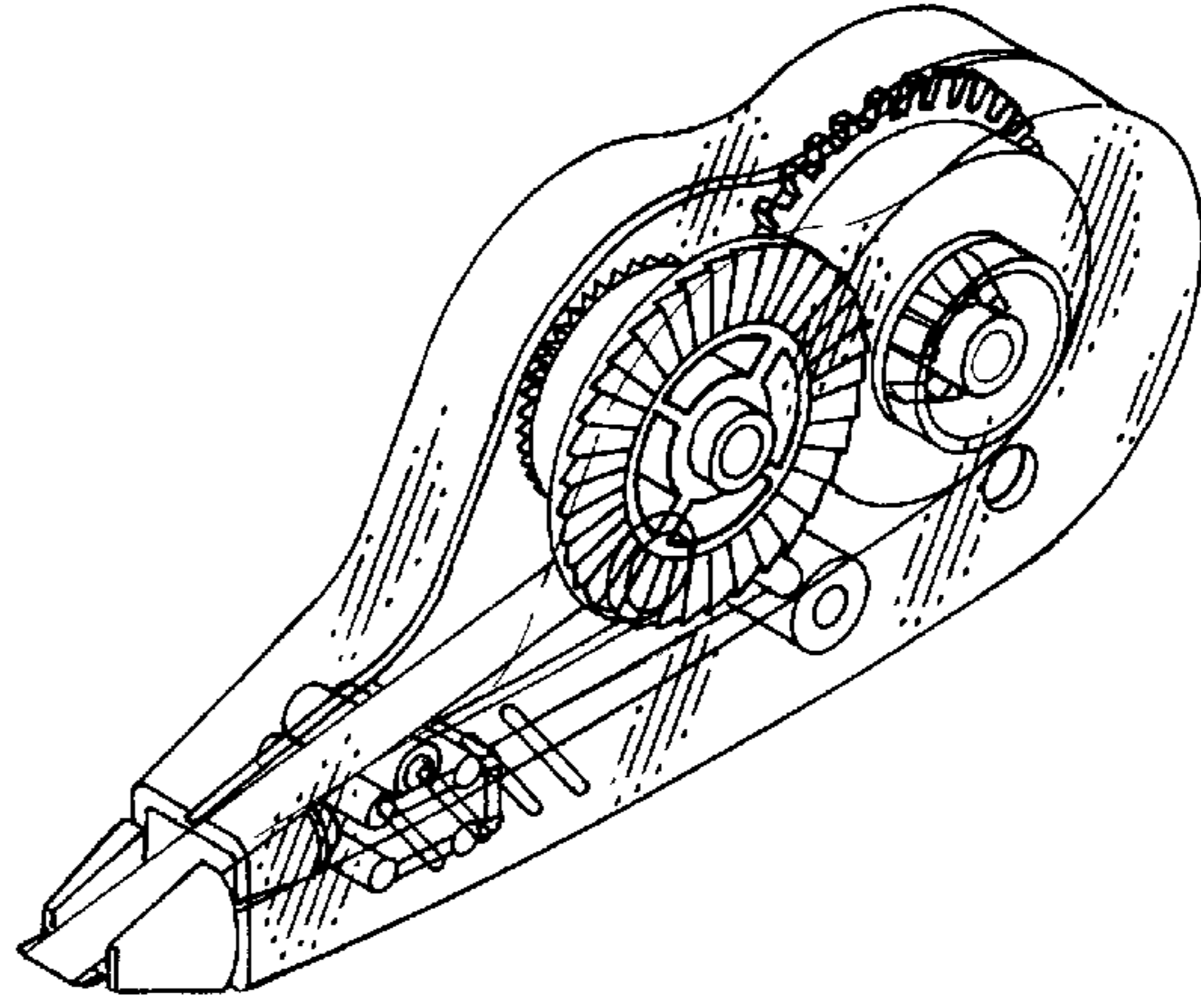
**DESCRIPTION**

FIG. 1 is a perspective view of the correction tape holder; FIG. 2 is a top plan view of the correction tape holder; FIG. 3 is a front view of the correction tape holder; FIG. 4 is a bottom view of the correction tape holder; FIG. 5 is a right side view of the correction tape holder; FIG. 6 is a rear view of the correction tape holder; FIG. 7 is a left side view of the correction tape holder; FIG. 8 is a sectional view taken along line A—A in FIG. 3; FIG. 9 is a sectional view taken along line C—C in FIG. 4; FIG. 10 is a sectional view taken along line B—B in FIG. 3; and, FIG. 11 is a sectional view taken along line D—D in FIG. 3.

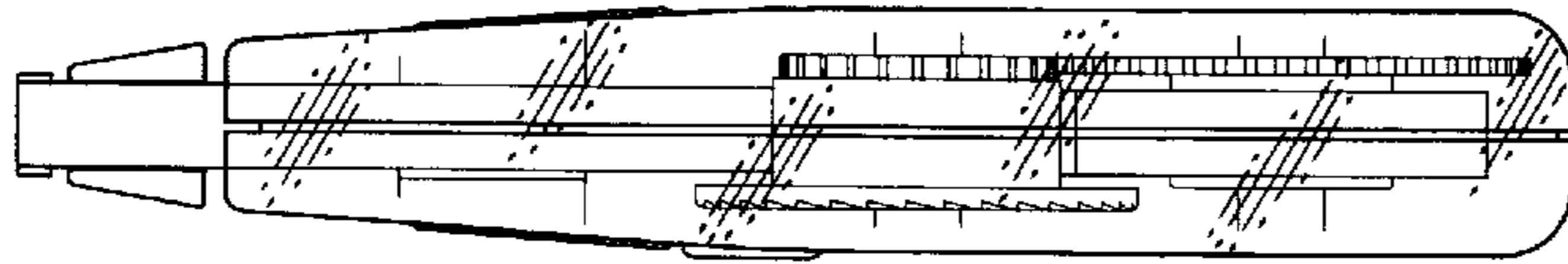
**1 Claim, 2 Drawing Sheets**



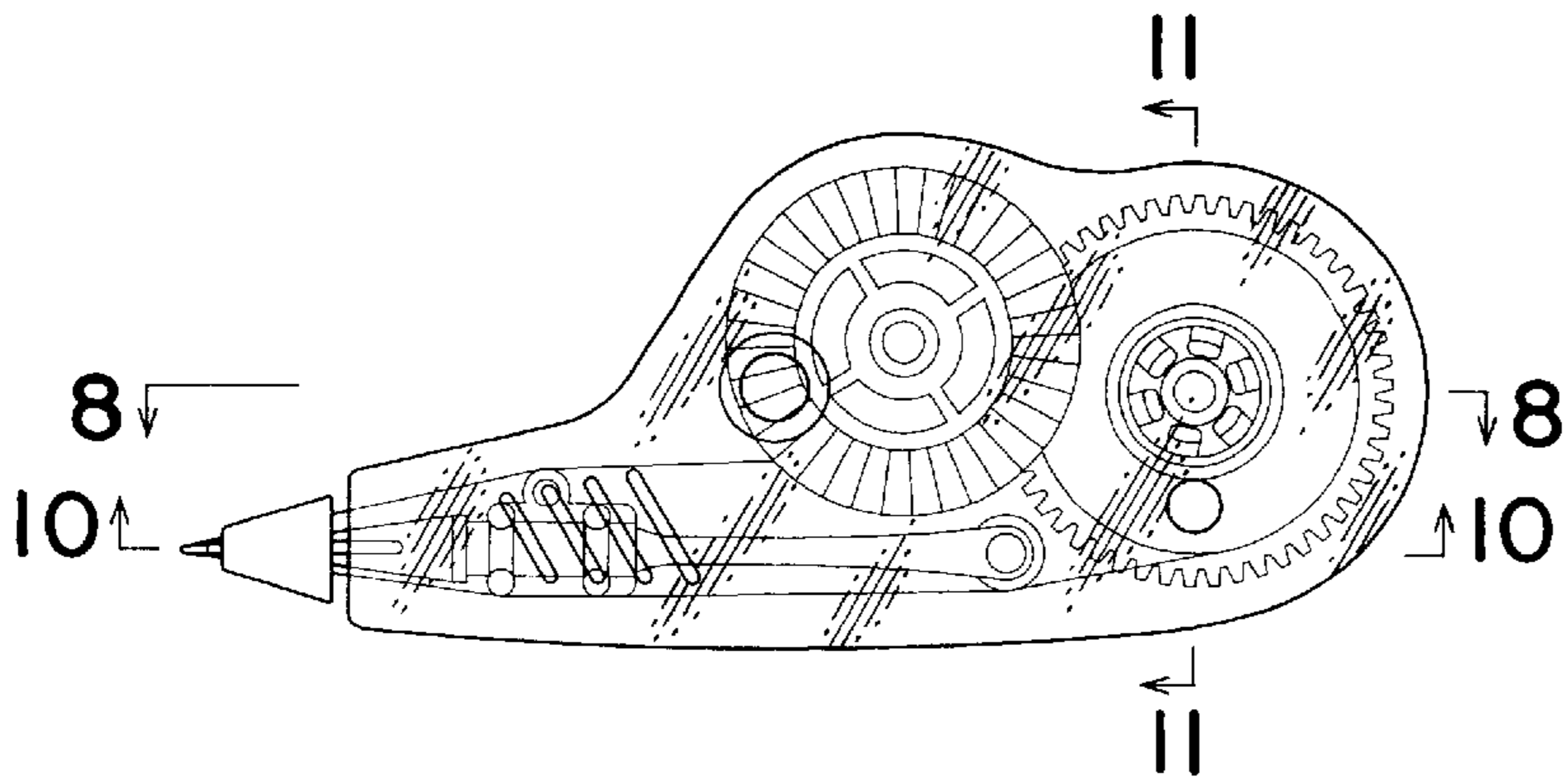
**FIG. 1**



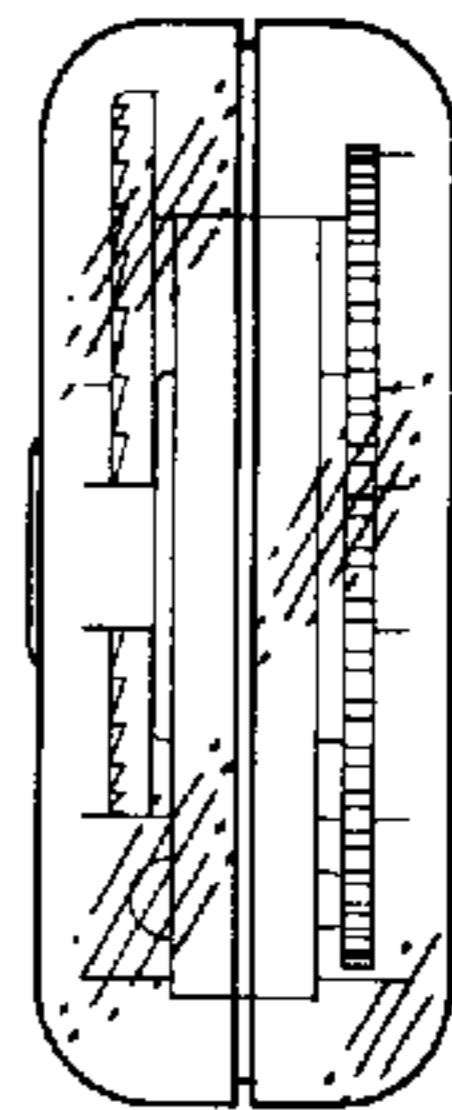
**FIG. 2**



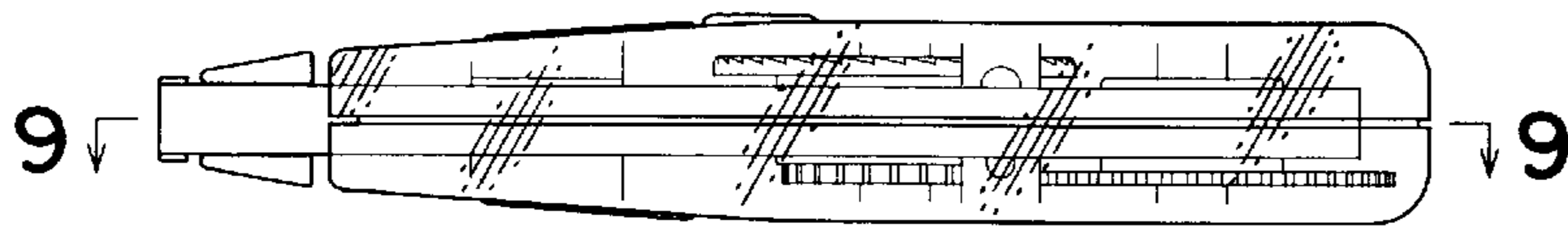
**FIG. 3**



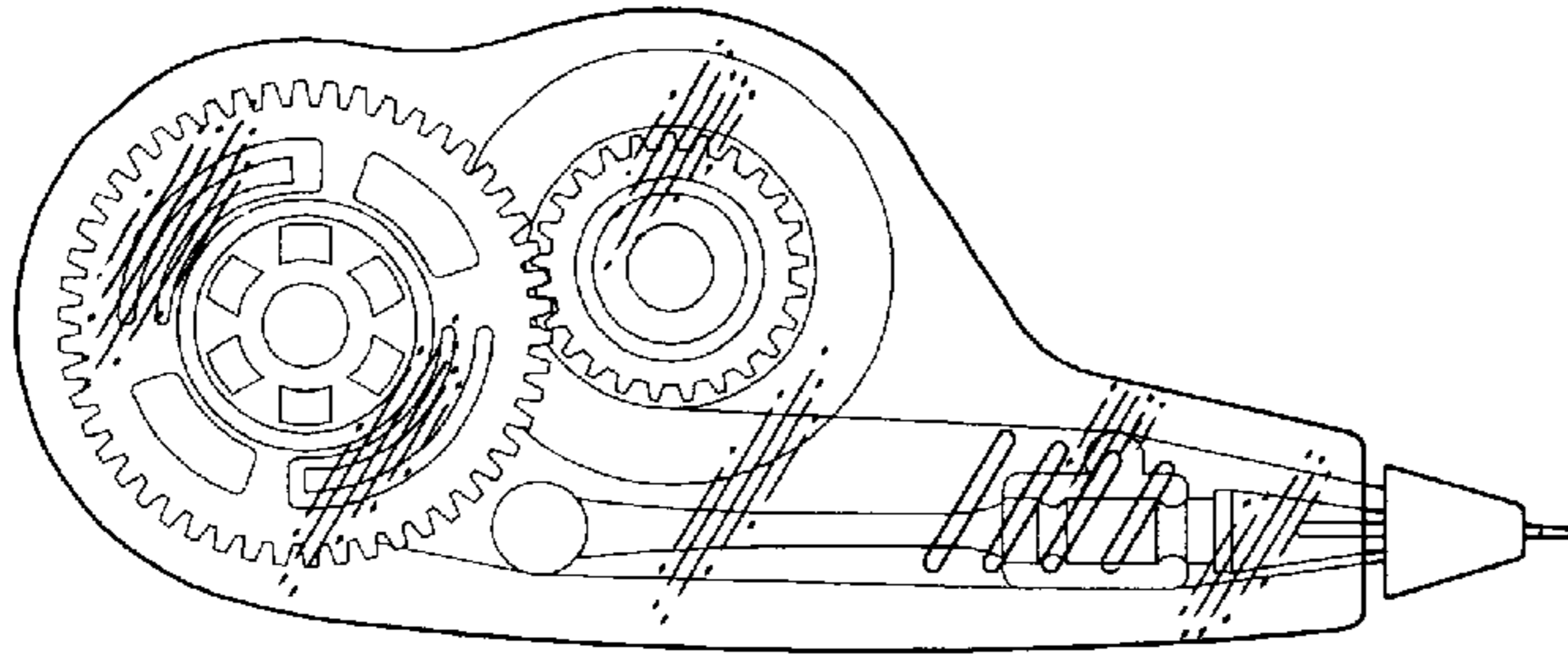
**FIG. 5**



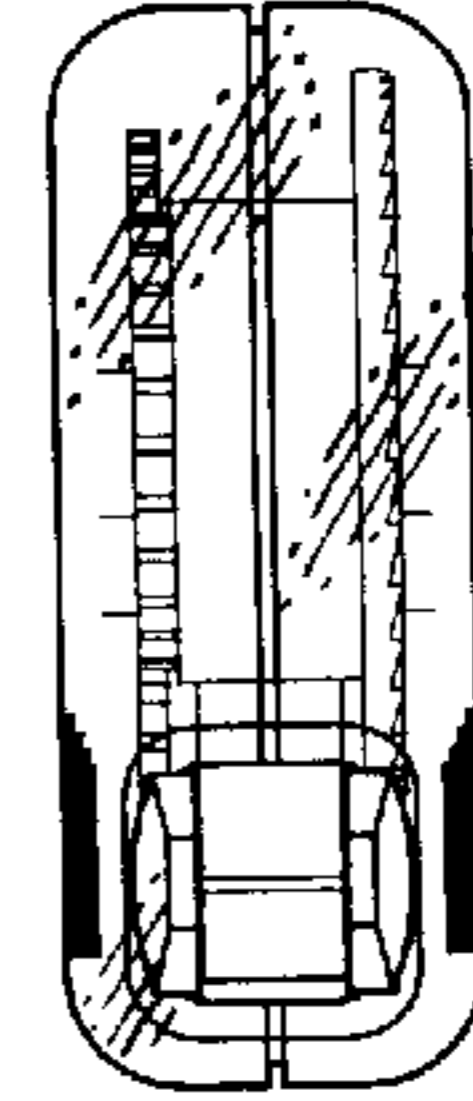
**FIG. 4**



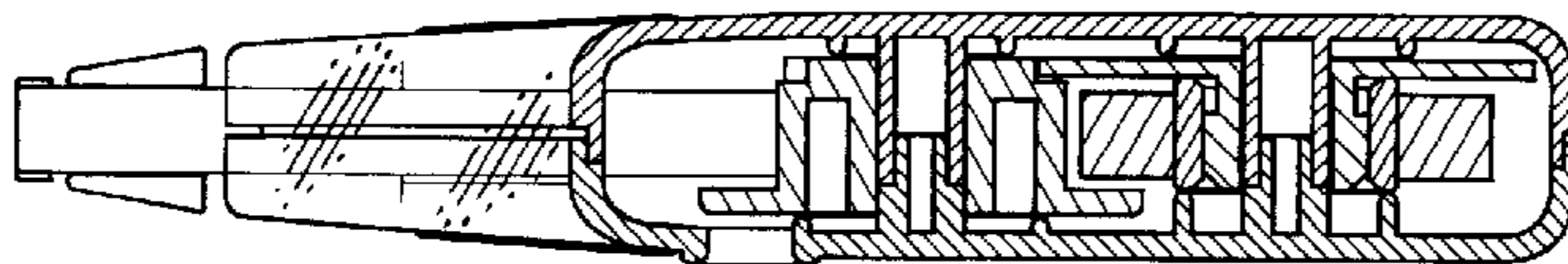
**FIG. 6**



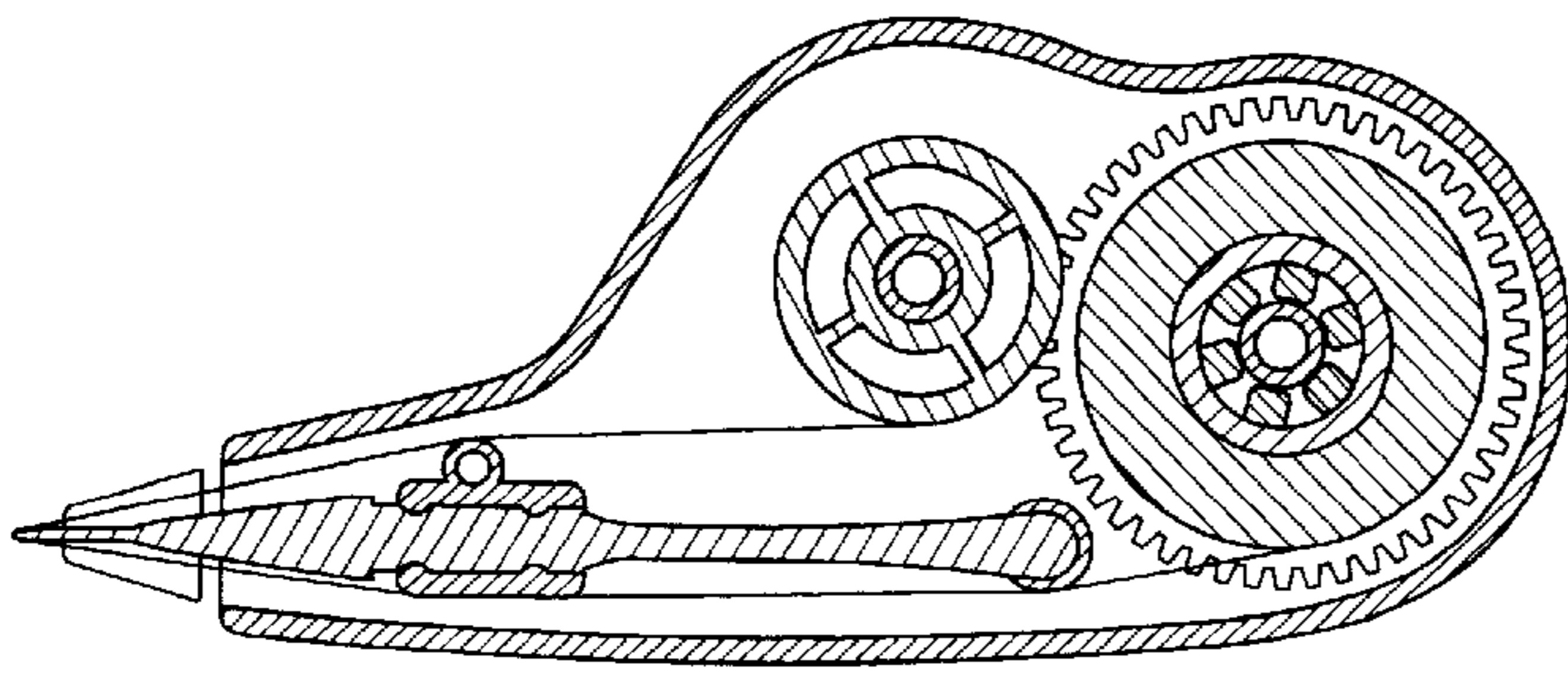
**FIG. 7**



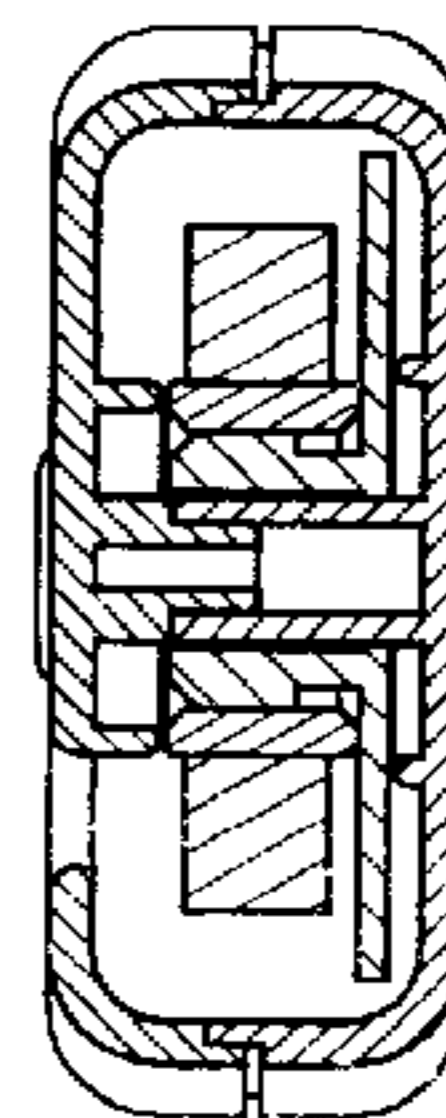
**FIG. 8**



**FIG. 9**



**FIG. 11**



**FIG. 10**

