



US00D420386S

United States Patent [19]
Clarke

[11] **Patent Number: Des. 420,386**

[45] **Date of Patent: ** Feb. 8, 2000**

[54] **BANDED MARKER**

[75] Inventor: **Timothy J. Clarke**, Ridgefield, Conn.

[73] Assignee: **E.K. Sucess, Ltd.**, Clifton, N.J.

[**] Term: **14 Years**

[21] Appl. No.: **29/104,717**

[22] Filed: **May 11, 1999**

[51] **LOC (7) Cl.** **19-06**

[52] **U.S. Cl.** **D19/36; D19/43; D19/51**

[58] **Field of Search** D19/35, 36, 41-51,
D19/53-58, 81-85; 401/29, 34, 52, 195,
88, 4

[56] **References Cited**

U.S. PATENT DOCUMENTS

D. 279,992	8/1985	Gribb	319/43
D. 287,141	12/1986	Regnault	D19/43
D. 369,384	4/1996	Yososhima	D19/57 X
D. 370,088	5/1996	Burns	D19/36 X
D. 389,862	1/1998	Imagawa	D19/43
D. 404,069	1/1999	Hasagawa	D19/36
D. 408,592	4/1999	Litton	D19/51 X

D. 411,035	6/1999	Welschoff	D19/51 X
2,983,946	5/1961	Edelstone et al.	401/4
3,102,543	9/1963	O'Siel et al.	D19/51 X

Primary Examiner—Martie K. Holtje
Attorney, Agent, or Firm—Sofer & Haroun, LLP

[57] **CLAIM**

I claim the ornamental design for a banded marker, as shown and described.

DESCRIPTION

FIG. 1 is a front perspective view of a banded marker showing my new design;
 FIG. 2 is a rear perspective view of the banded marker as shown in FIG. 1;
 FIG. 3 is an elevational side view of the banded marker as shown in FIG. 1;
 FIG. 4 is a further embodiment of the banded marker, the difference being a second cap disposed on the opposite end of the marker;
 FIG. 5 is a rear perspective view of the banded marker as shown in FIG. 4; and,
 FIG. 6 is an elevational side view of the banded marker as shown in FIG. 4.

1 Claim, 2 Drawing Sheets

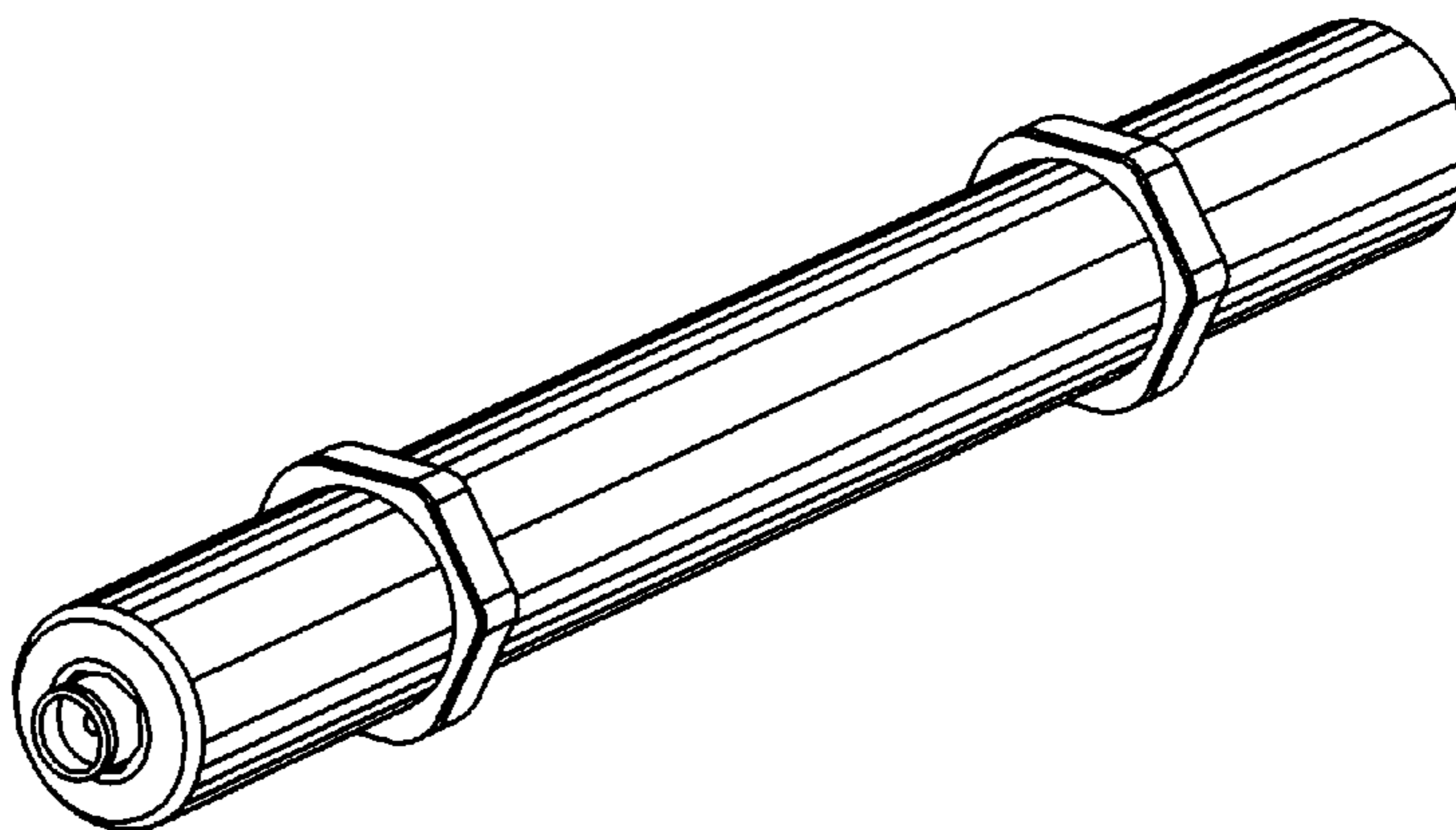
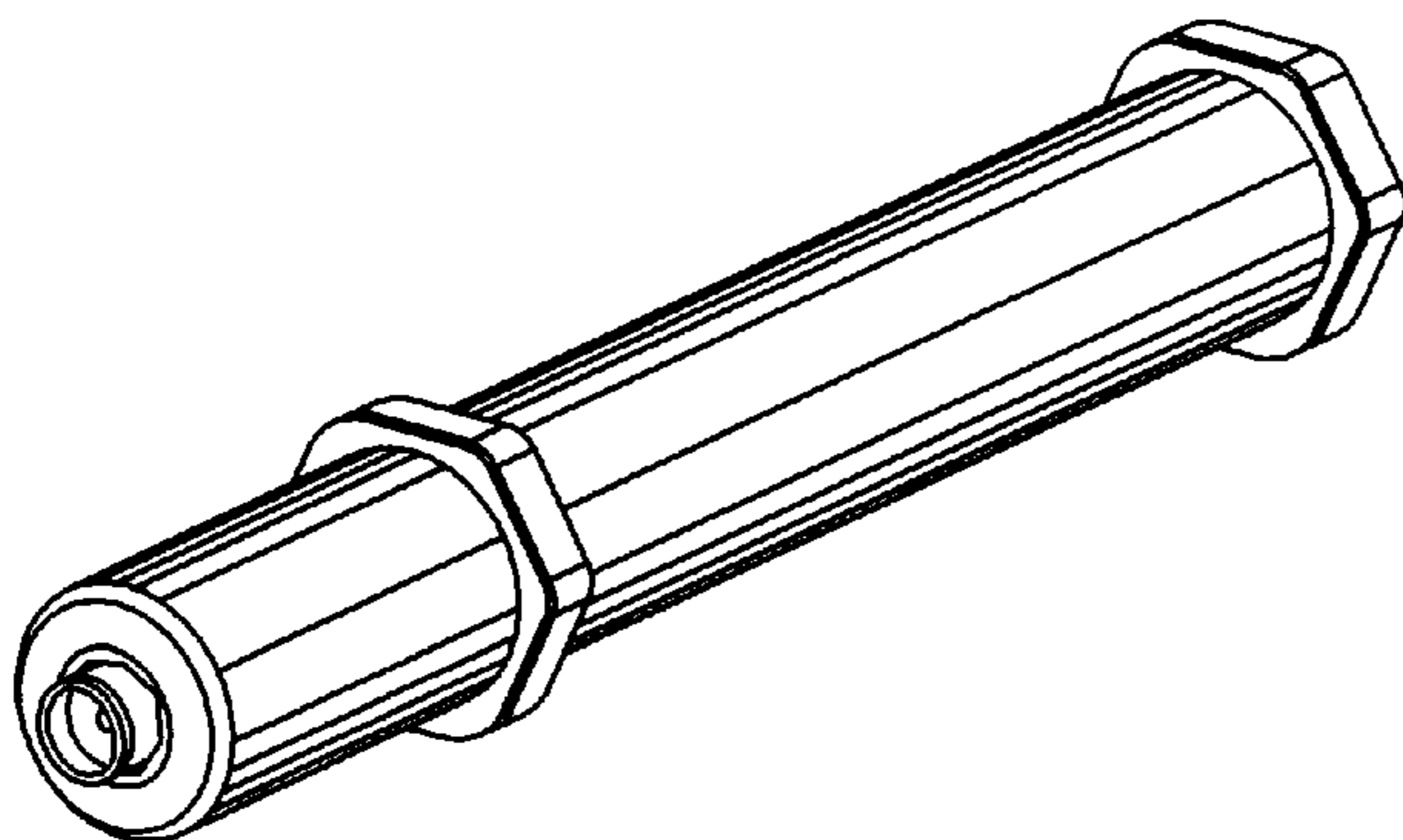


FIG. 1

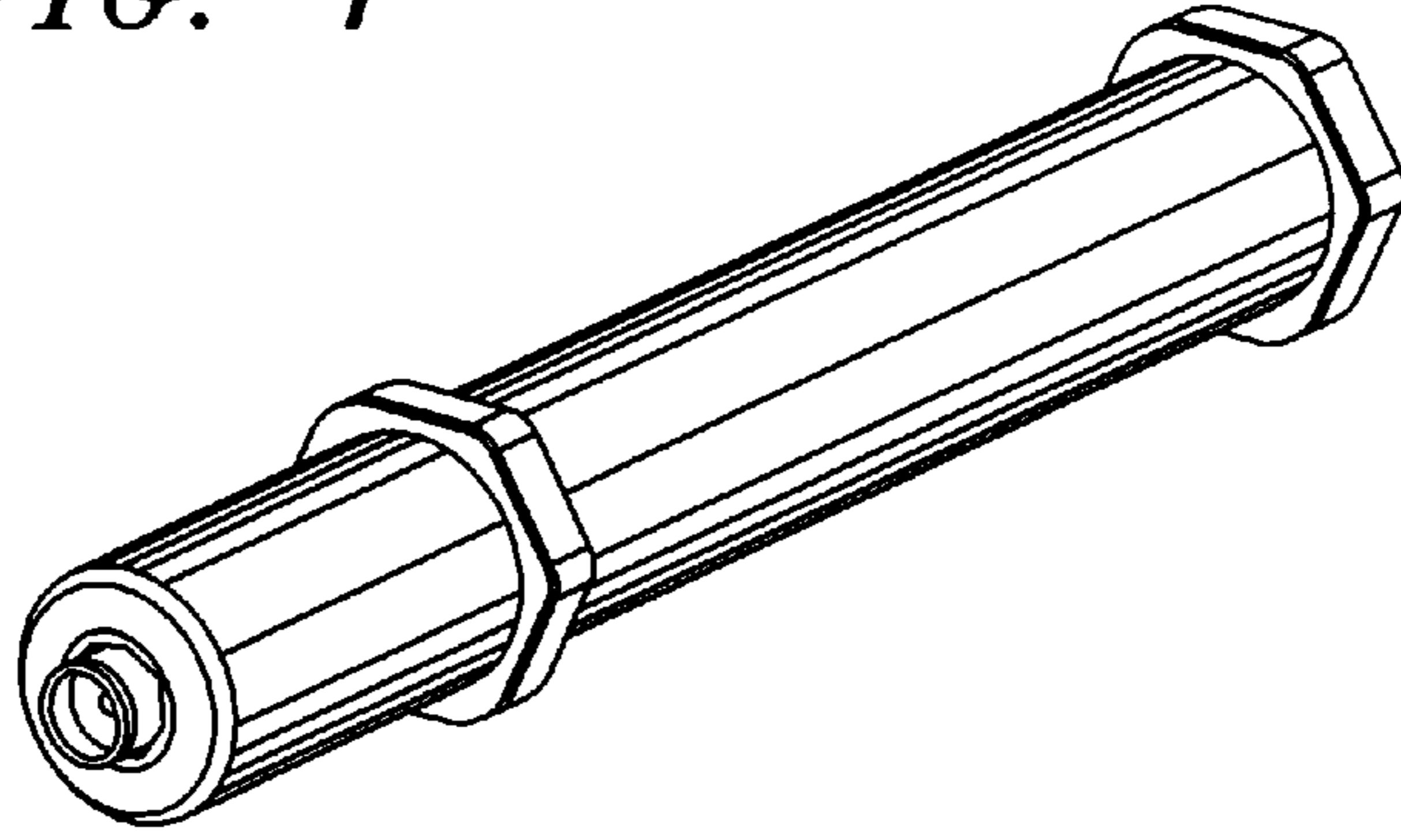


FIG. 2

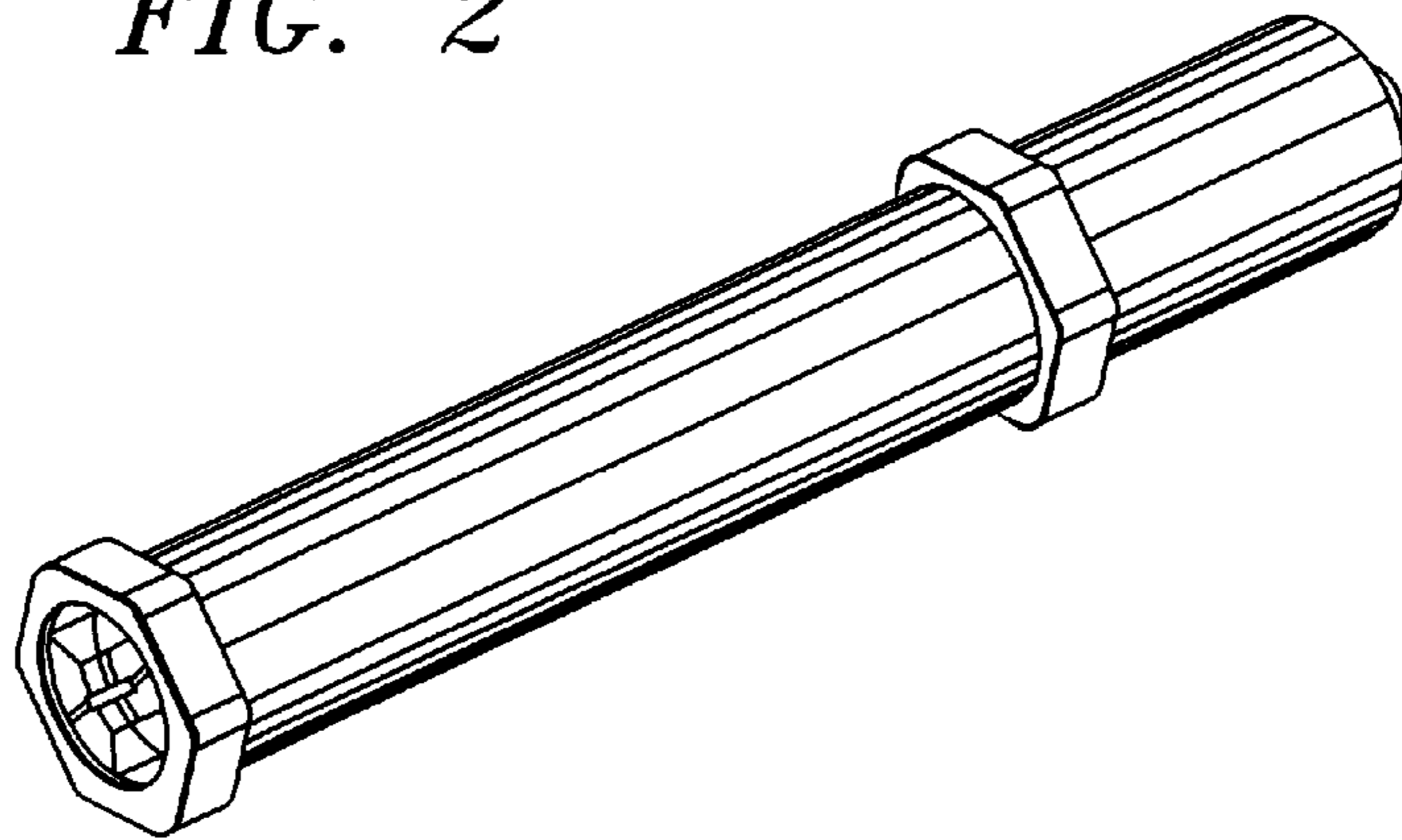


FIG. 3

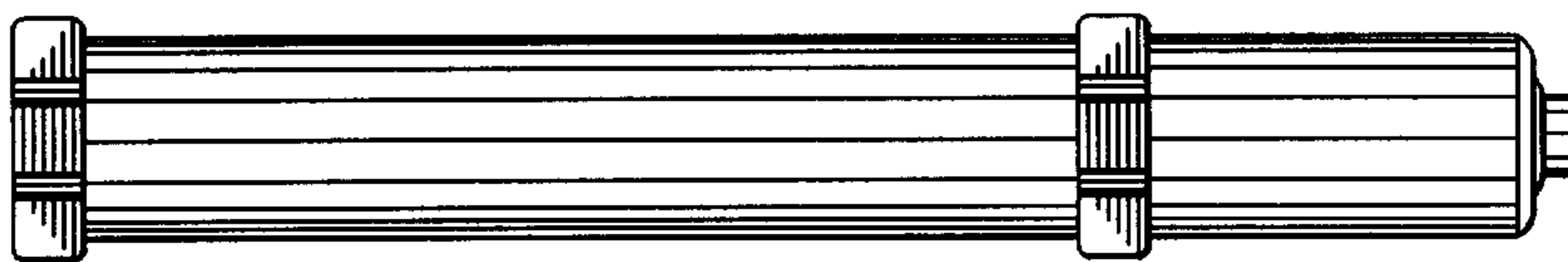


FIG. 4

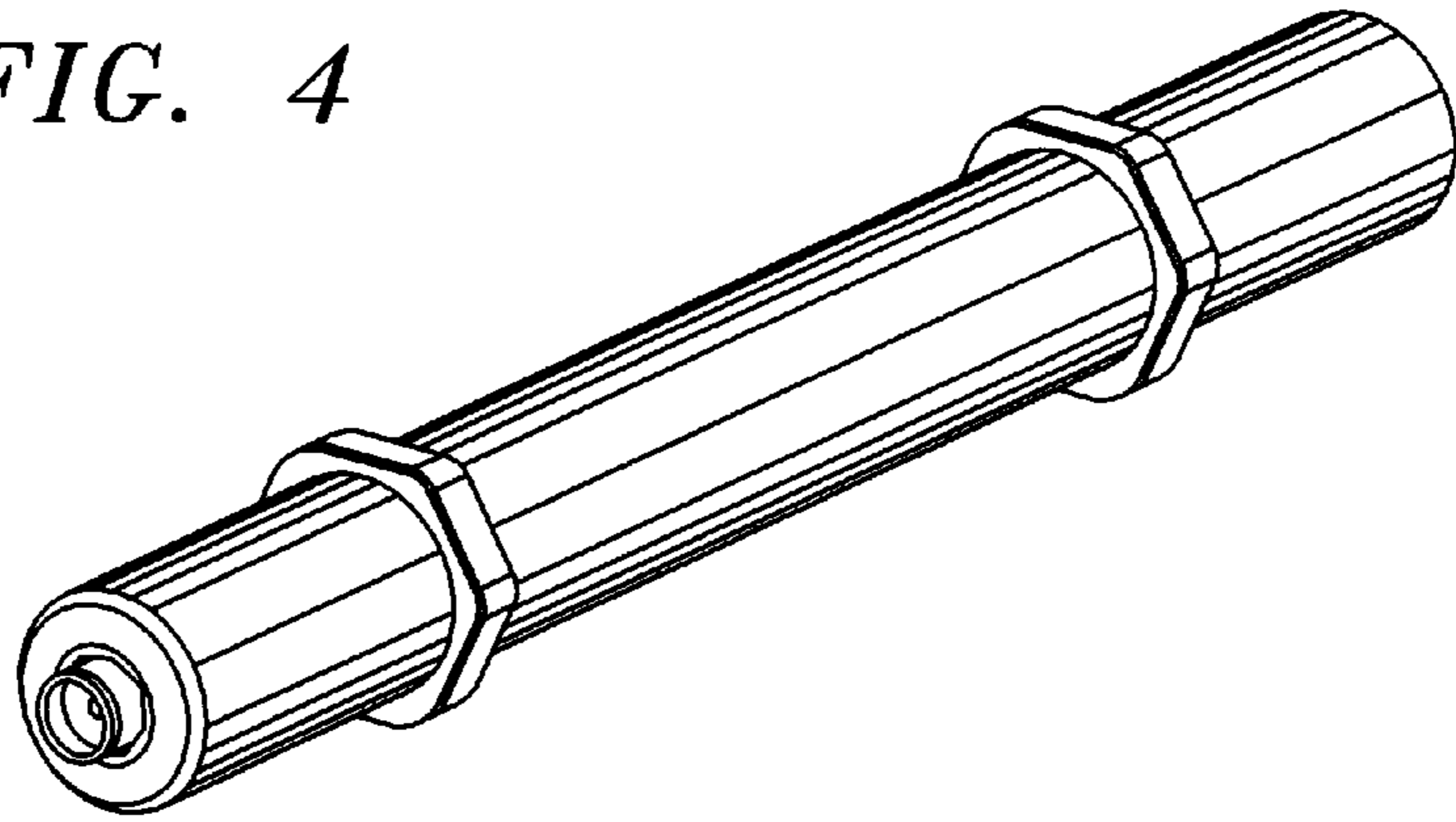


FIG. 5

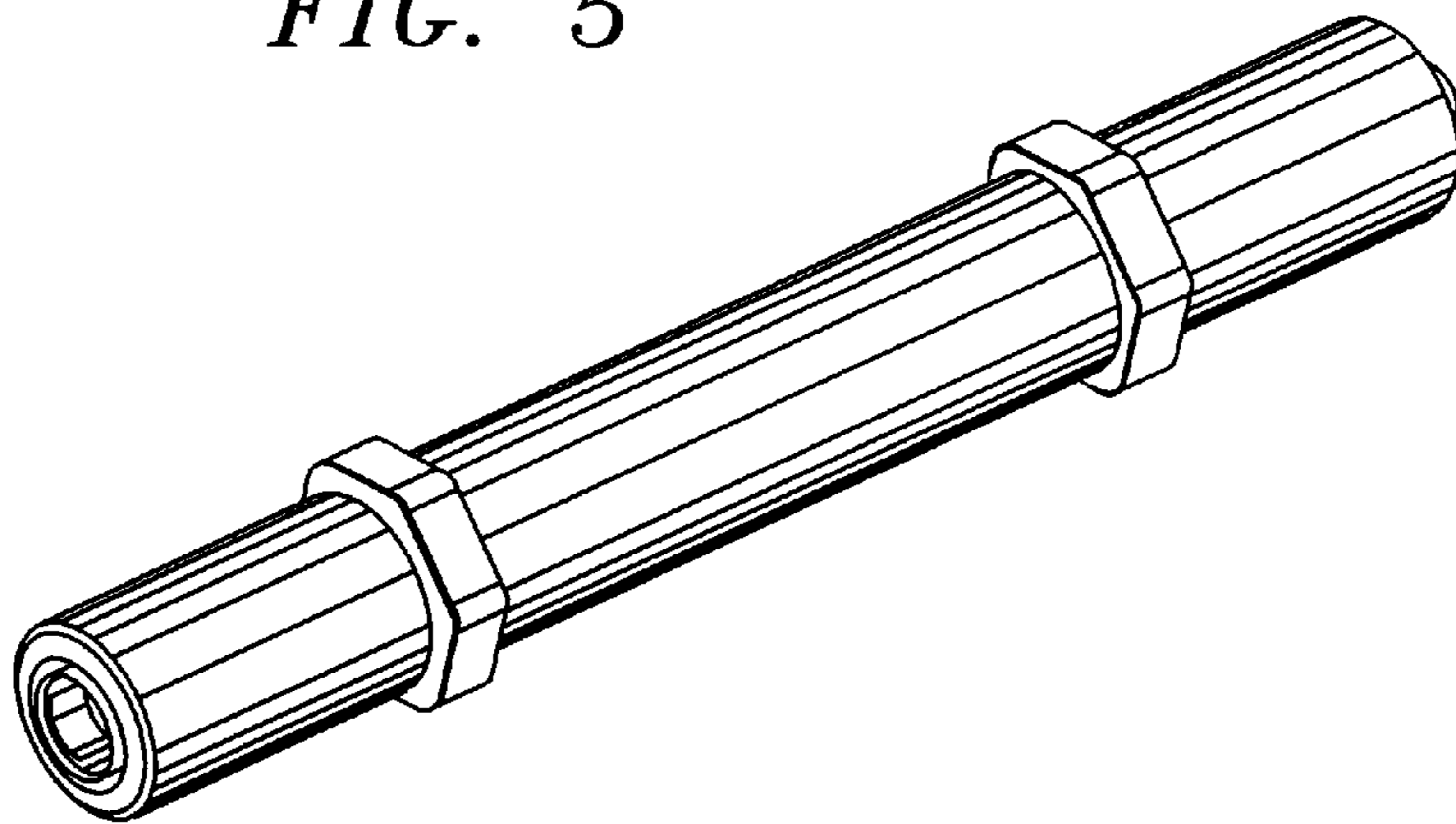


FIG. 6

