



US00D420385S

United States Patent [19] Inbert

[11] **Patent Number: Des. 420,385**
[45] **Date of Patent: ** Feb. 8, 2000**

[54] **COVER FOR PERSONAL ORGANIZER**

[75] Inventor: **Jocelyne Inbert**, Marseilles, France

[73] Assignee: **Alfred Dunhill Limited**, London, United Kingdom

[**] Term: **14 Years**

[21] Appl. No.: **29/087,965**

[22] Filed: **May 12, 1998**

[30] **Foreign Application Priority Data**

Nov. 14, 1997 [GB] United Kingdom 2070519

[51] **LOC (7) Cl.** **19-04**

[52] **U.S. Cl.** **D19/27**

[58] **Field of Search** D19/20-22, 26-28,
D19/32; 40/107, 119; 281/29, 31, 36-37;
402/4, 70, 73

[56] **References Cited**

U.S. PATENT DOCUMENTS

D. 303,809 10/1989 Klein D19/27

D. 322,987	1/1992	Testro et al.	D19/26
D. 330,115	10/1992	O'Brien	D19/27
D. 371,161	6/1996	Duval et al.	D19/27
5,219,437	6/1993	Moor et al.	281/37
5,294,208	3/1994	Tremmel, Jr. et al.	402/73

Primary Examiner—Louis S. Zarfaz
Assistant Examiner—Robert A. Delehanty
Attorney, Agent, or Firm—Pretty, Schroeder & Poplawski

[57] **CLAIM**

I claim a cover for personal organizer, as shown and described.

DESCRIPTION

FIG. 1 is a front view of the cover for personal organizer of the present invention;
FIG. 2 is a top view thereof;
FIG. 3 is a bottom view thereof;
FIG. 4 is a rear view thereof;
FIG. 5 is a right side view thereof;
FIG. 6 is a left side view thereof;
FIG. 7 is a perspective view thereof; and,
FIG. 8 is a perspective view thereof in the open position.

1 Claim, 4 Drawing Sheets

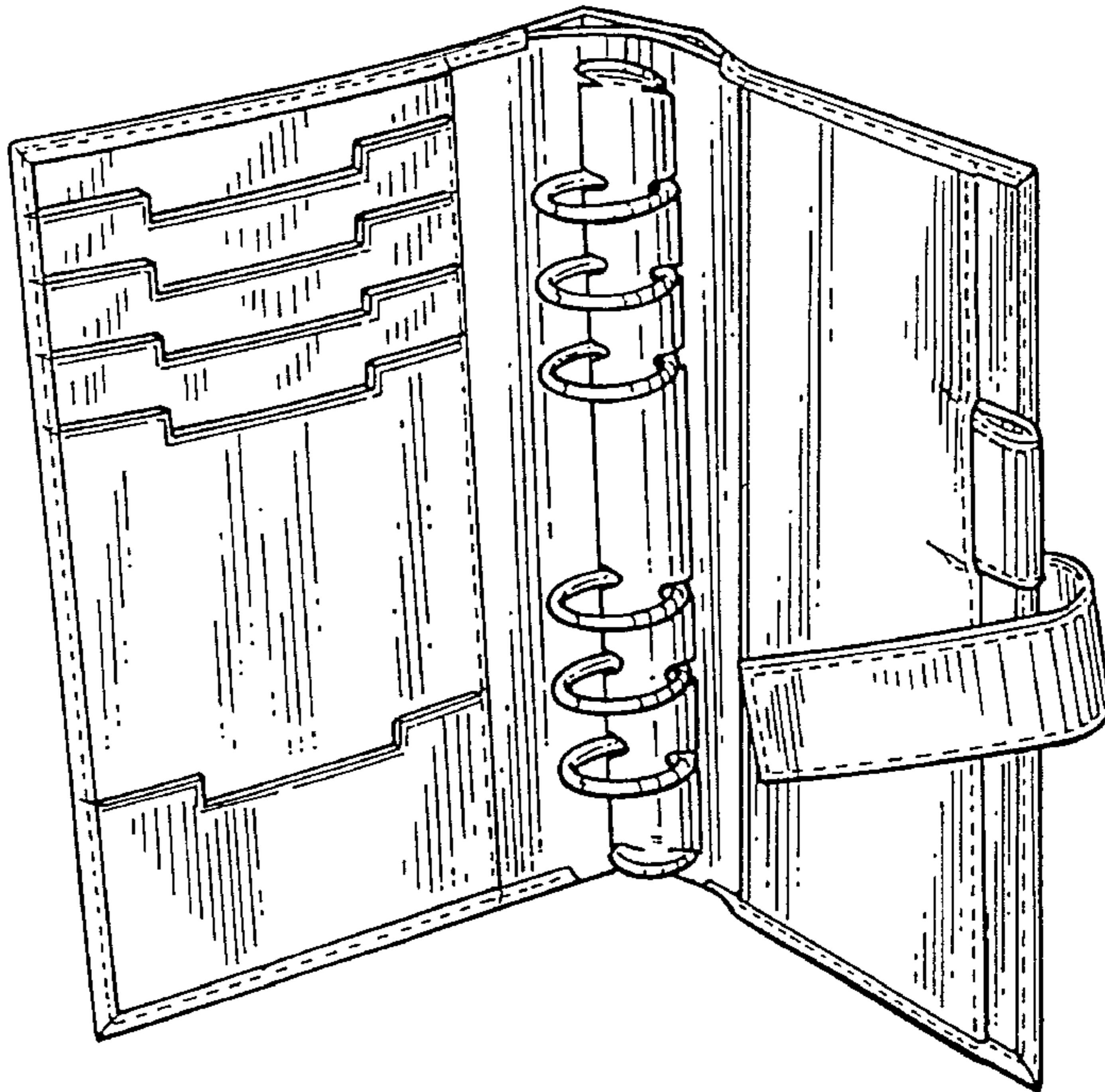
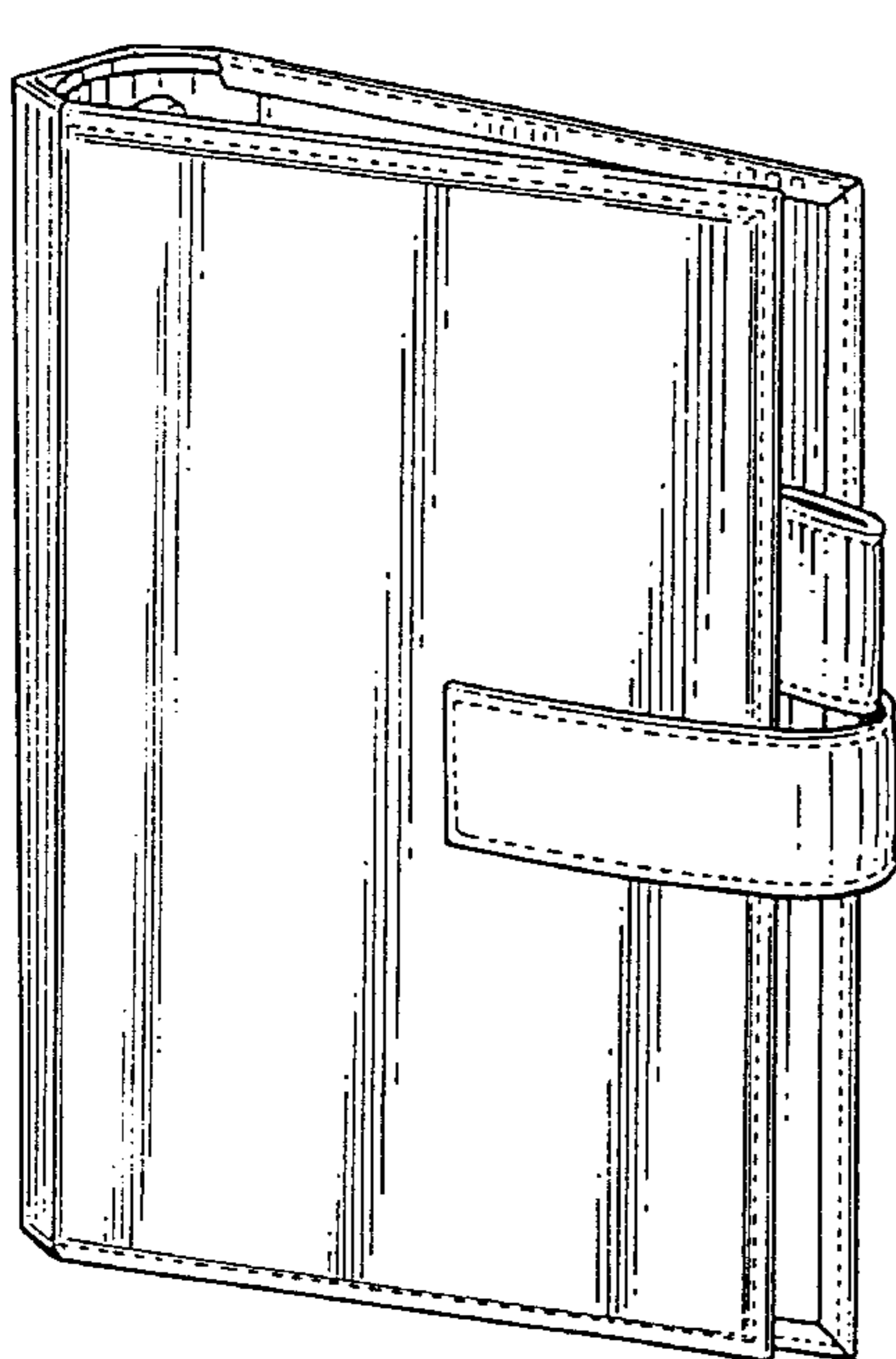


FIG. 1

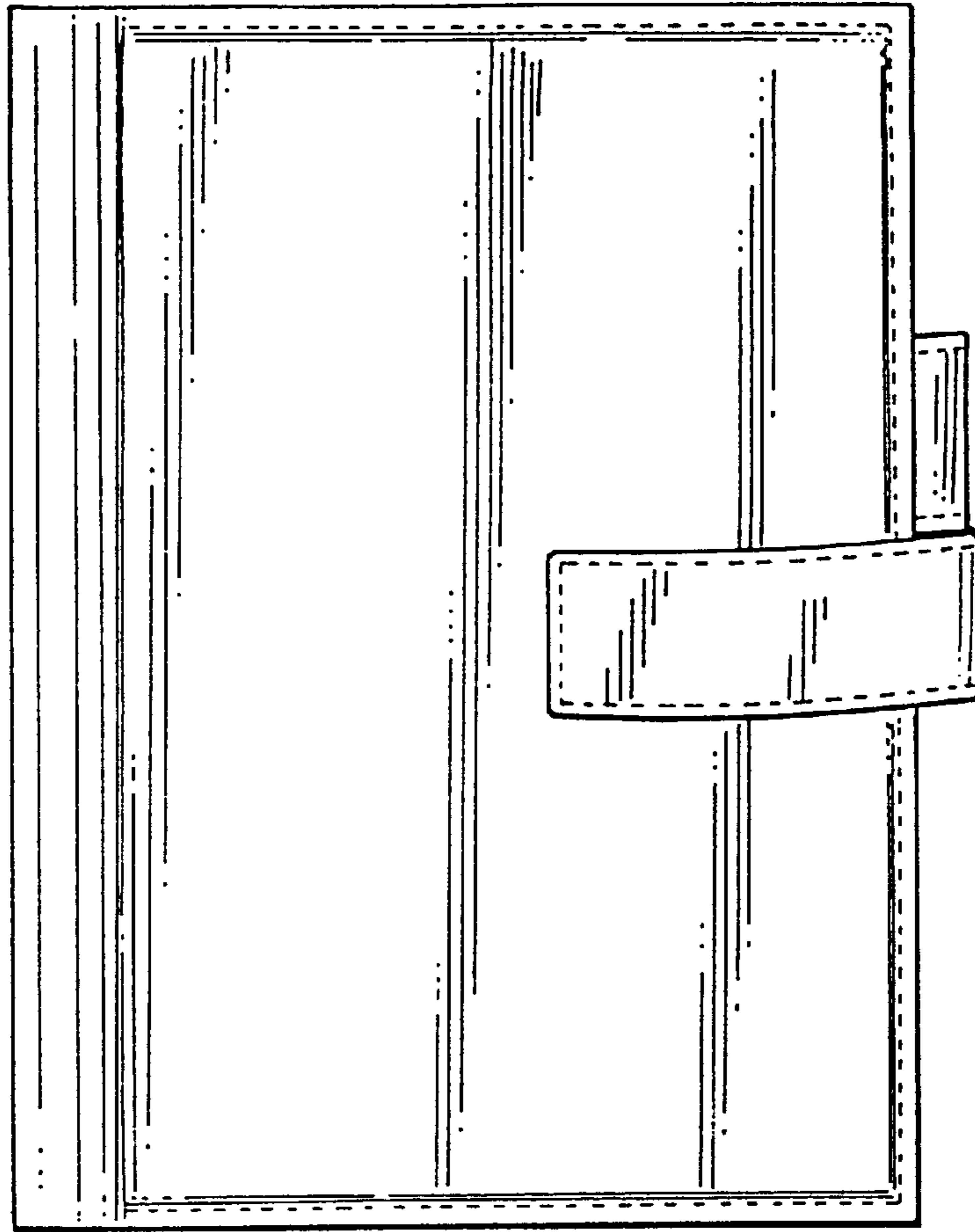


FIG. 2

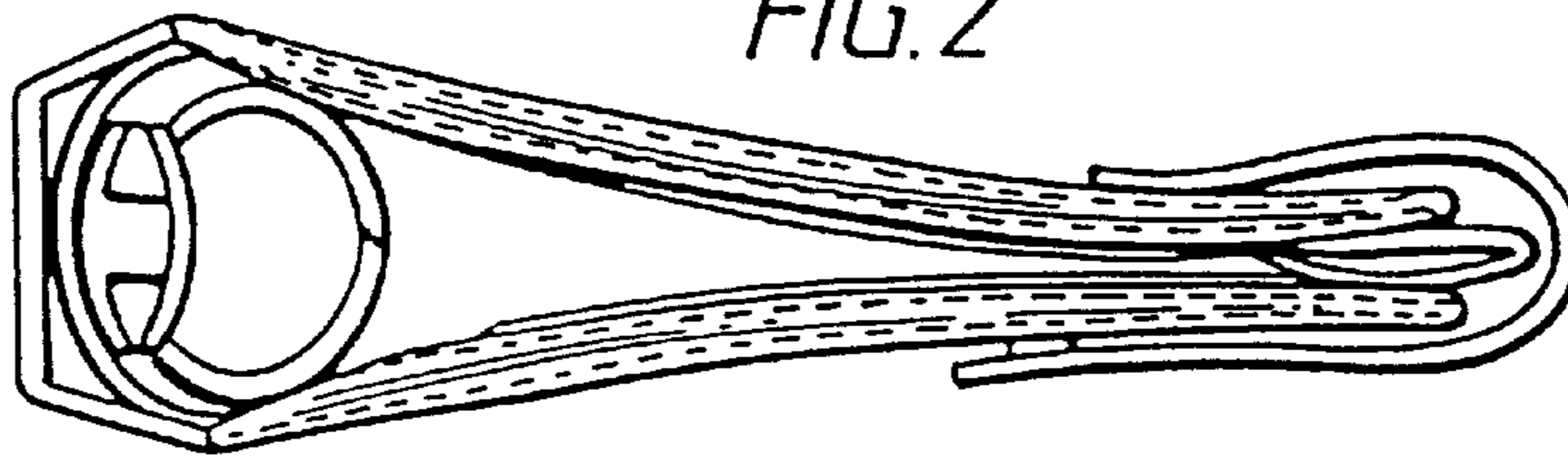


FIG. 3

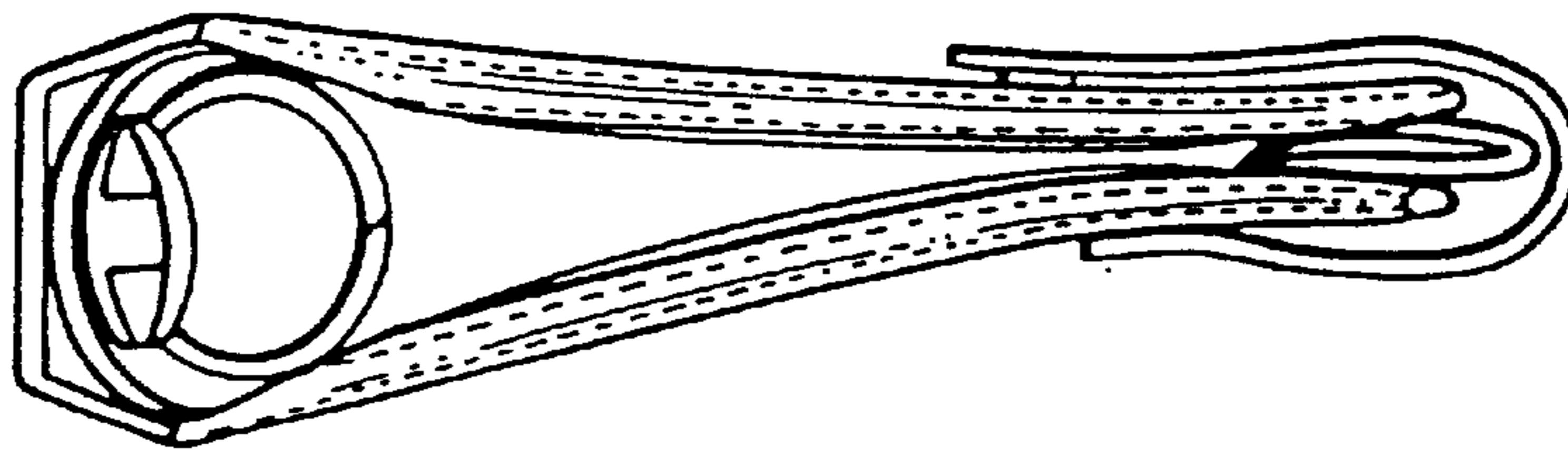


FIG. 4

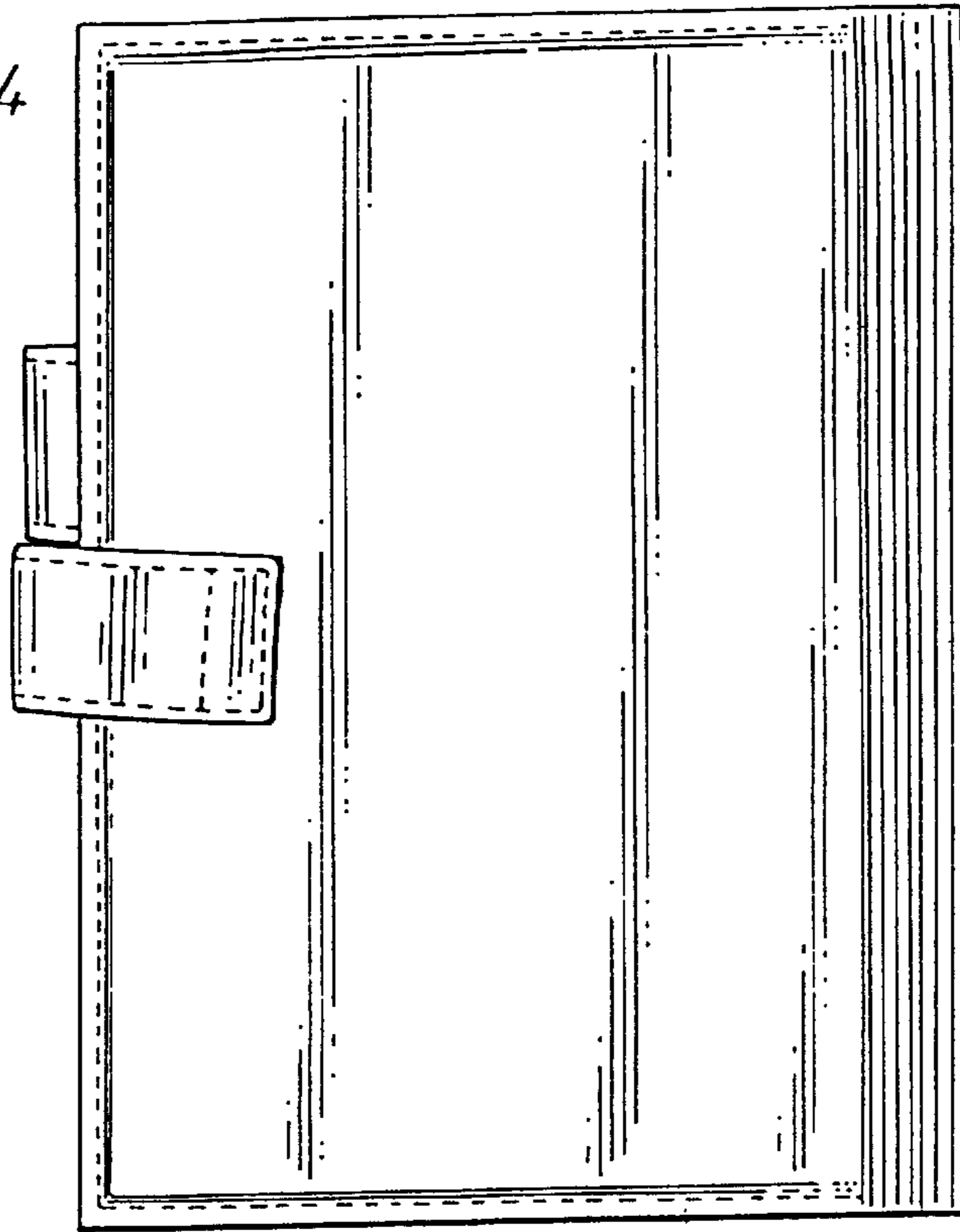


FIG. 5

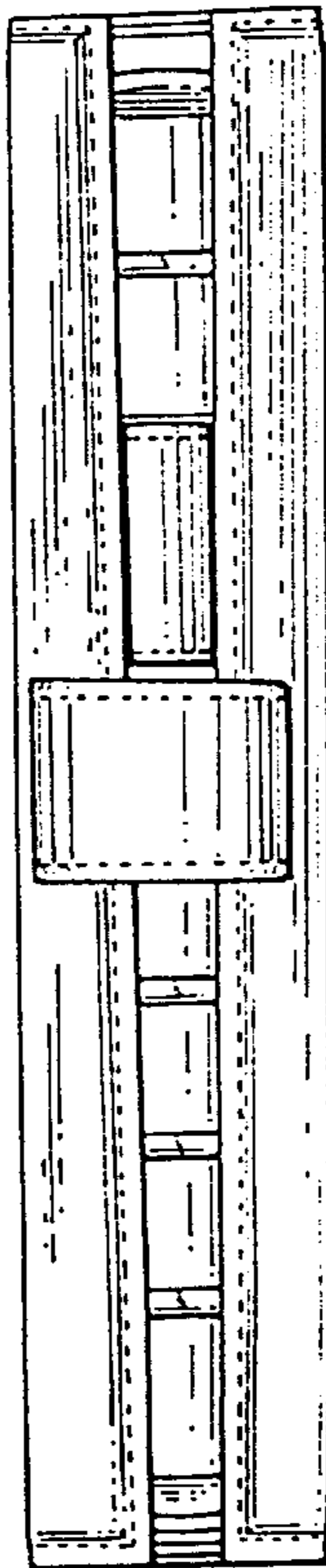


FIG. 6

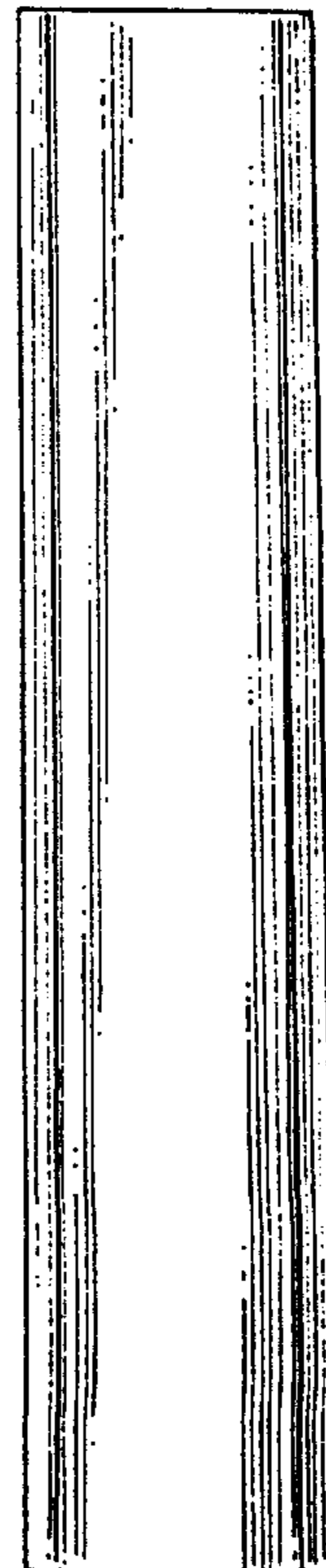


FIG. 7

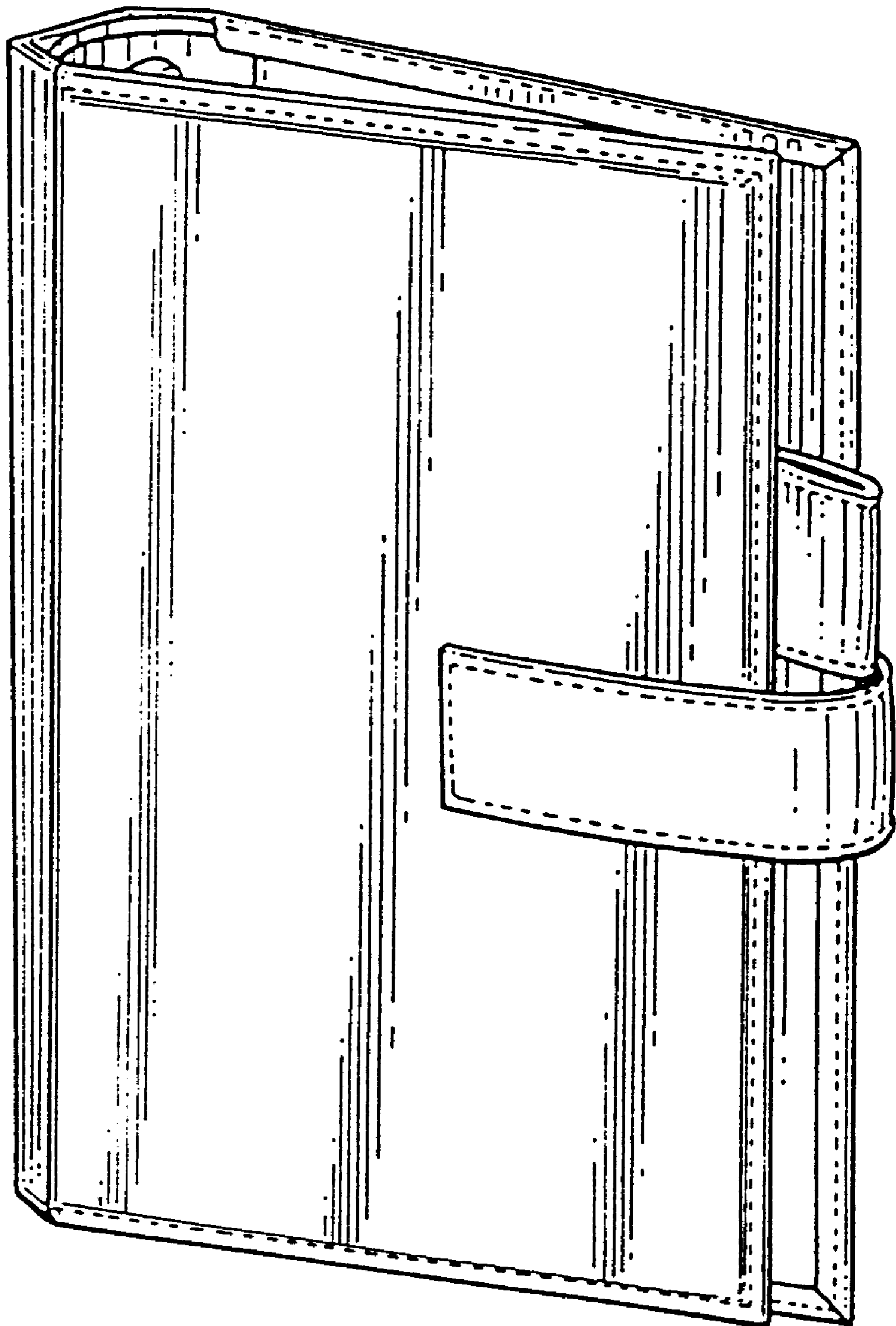
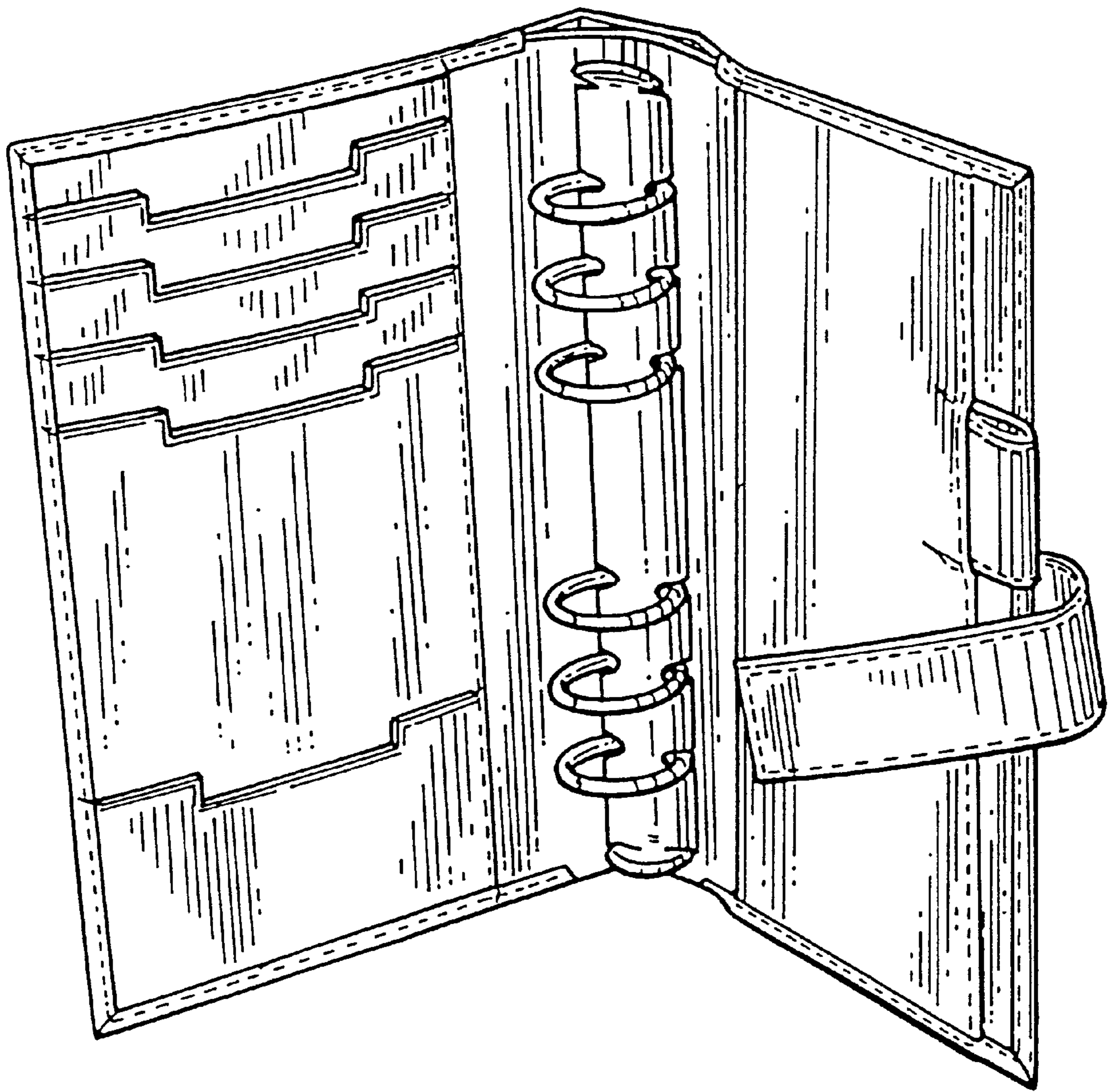


FIG. 8



UNITED STATES PATENT AND TRADEMARK OFFICE
CERTIFICATE OF CORRECTION

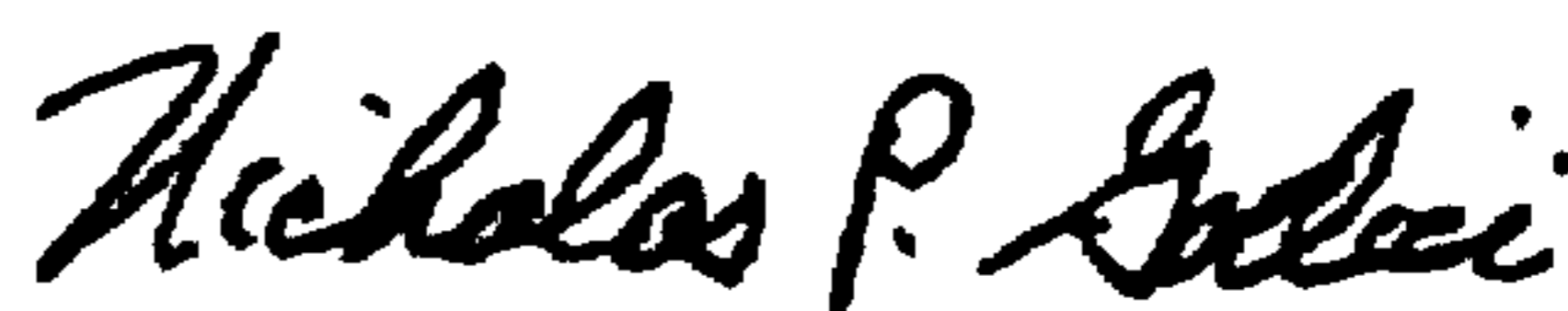
PATENT NO. : Des. 420,385
DATED : February 8, 2000
INVENTOR(S) : Imbert, Jocelyne

It is certified that error appears in the above-identified patent and that said Letters Patent is hereby corrected as shown below:

Title page, item [75], inventor: change "Inbert" to "Imbert".

Signed and Sealed this
Twenty-second Day of May, 2001

Attest:



NICHOLAS P. GODICI

Attesting Officer

Acting Director of the United States Patent and Trademark Office