



US00D420376S

United States Patent [19]

Iwabuchi et al.

[11] Patent Number: Des. 420,376

[45] Date of Patent: ** Feb. 8, 2000

[54] LIQUID CRYSTAL VIDEO PROJECTOR

5,676,442 10/1997 Fujimori 353/119

[75] Inventors: Nobuaki Iwabuchi; Yoshio Sato; Masato Hirai, all of Kanagawa, Japan

OTHER PUBLICATIONS

Vista Pro catalog, Nisho Electronics Co. Ltd. (date unknown).

[73] Assignee: Mitsubishi Denki Kabushiki Kaisha, Tokyo, Japan

Primary Examiner—Adir Aronovich
Attorney, Agent, or Firm—Oblon, Spivak, McClelland, Maier & Neustadt, P.C.

[**] Term: 14 Years

[57] CLAIM

[21] Appl. No.: 29/092,851

The ornamental design for a liquid crystal video projector, as shown and described.

[22] Filed: Aug. 27, 1998

[30] Foreign Application Priority Data

DESCRIPTION

Apr. 21, 1998 [JP] Japan 10-11563

FIG. 1 is a front, top and right side perspective view of a liquid crystal video projector, showing our new design, with the handle extended;

[51] LOC (7) Cl. 16-02

FIG. 2 is a front elevational view thereof;

[52] U.S. Cl. D16/231; D16/225; D16/234

FIG. 3 is a rear elevational view thereof;

[58] Field of Search D16/200-205,

FIG. 4 is a left side elevational view thereof;

D16/208, 213, 221, 225, 230, 231, 234;

FIG. 5 is a right side elevational view thereof;

D21/514; 352/34, 242, 243; 353/115, 119,

FIG. 6 is a top plan view thereof;

122; 349/5, 7, 8, 58

FIG. 7 is a bottom plan view thereof;

[56] References Cited

FIG. 8 is a cross-sectional view thereof, taken along line 8—8 in FIG. 2, with the internal system omitted; and,

U.S. PATENT DOCUMENTS

FIG. 9 is a cross-sectional view thereof, taken along line 9—9 in FIG. 4, with the internal system omitted.

D. 371,148 6/1996 Kobayashi D16/221

D. 388,111 12/1997 Iida D16/231

D. 400,902 11/1998 Yamazaki et al. D16/225

D. 401,260 11/1998 Kodama et al. D16/225

1 Claim, 5 Drawing Sheets

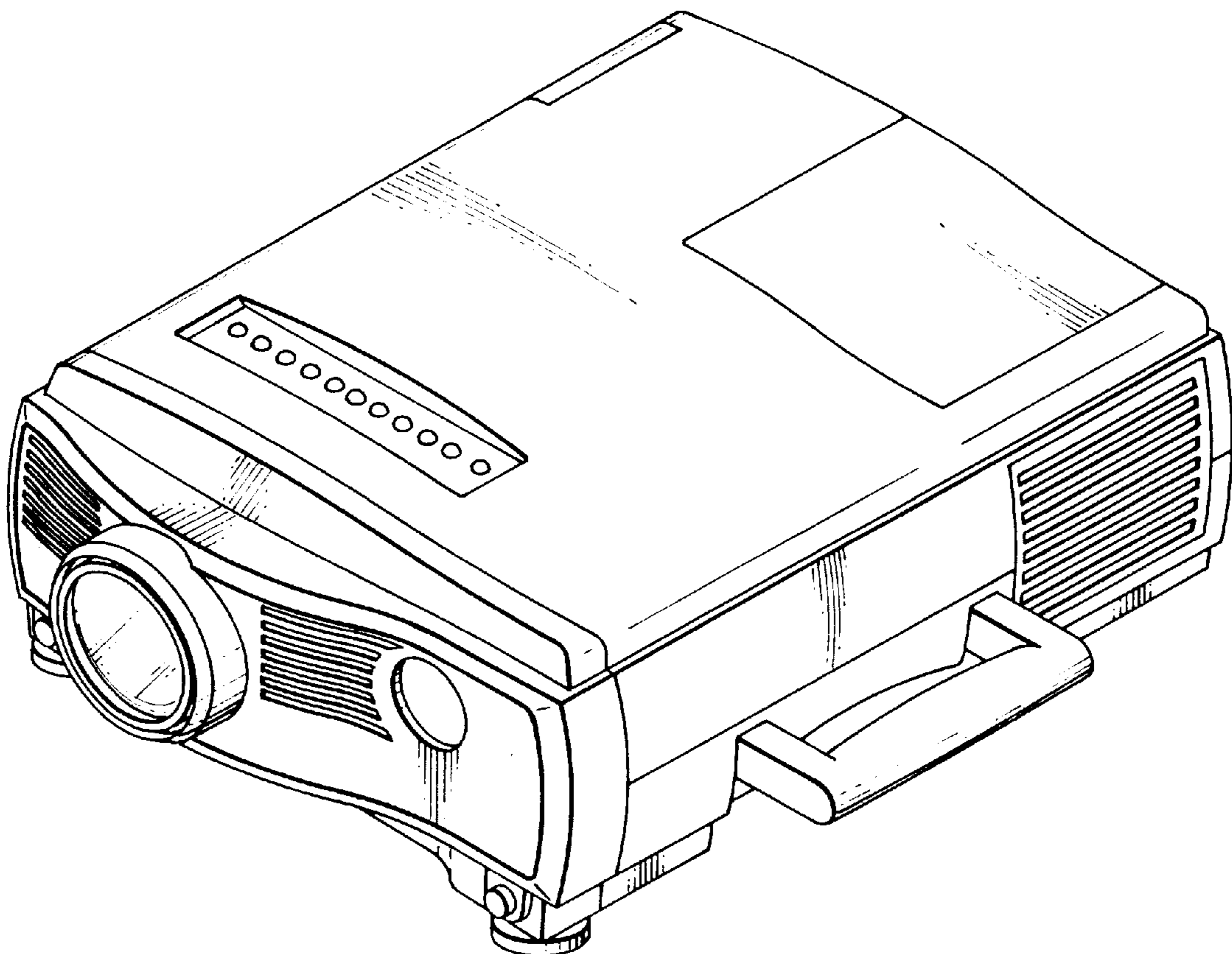


FIG. 1

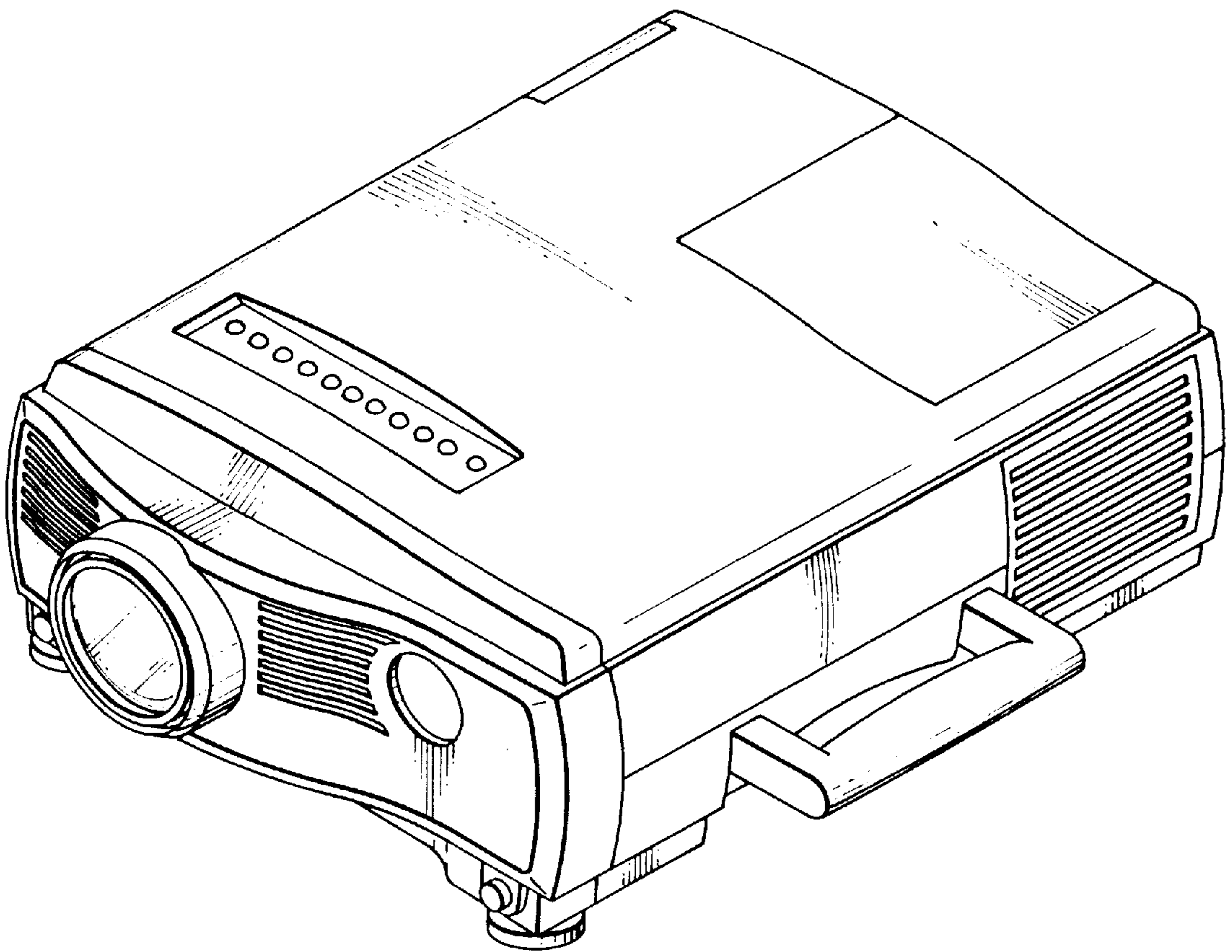


FIG. 2

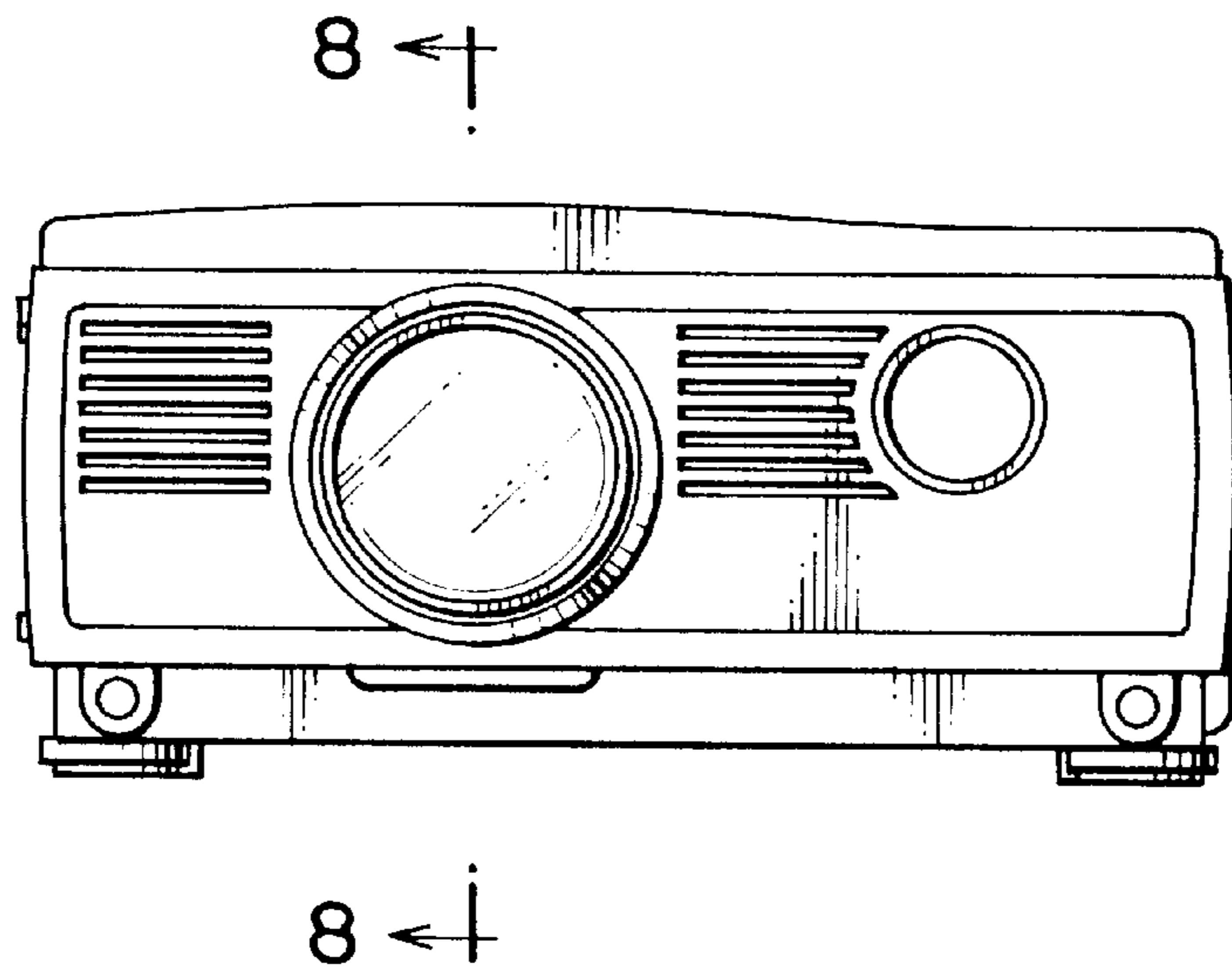


FIG. 3

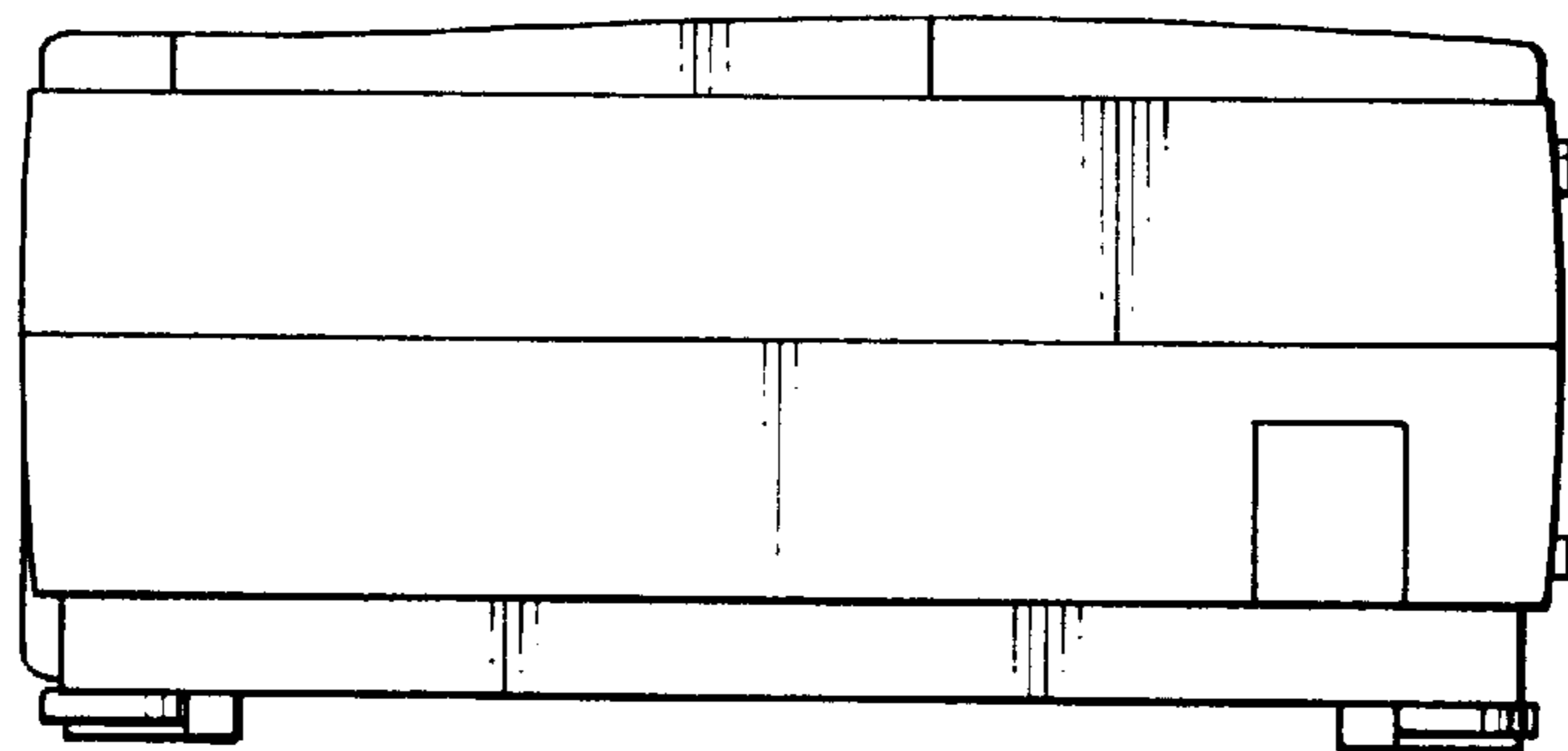


FIG. 4

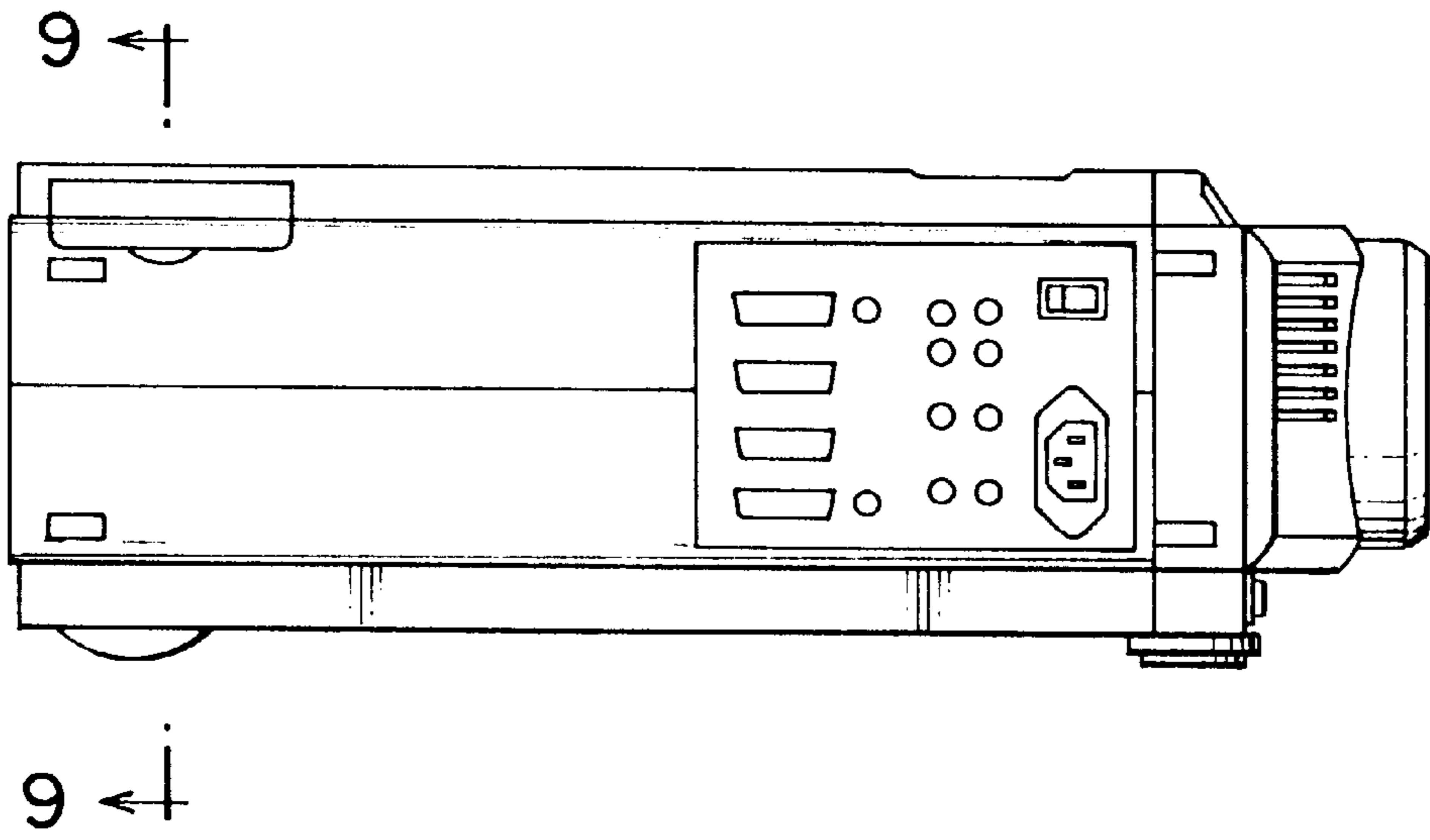


FIG. 5

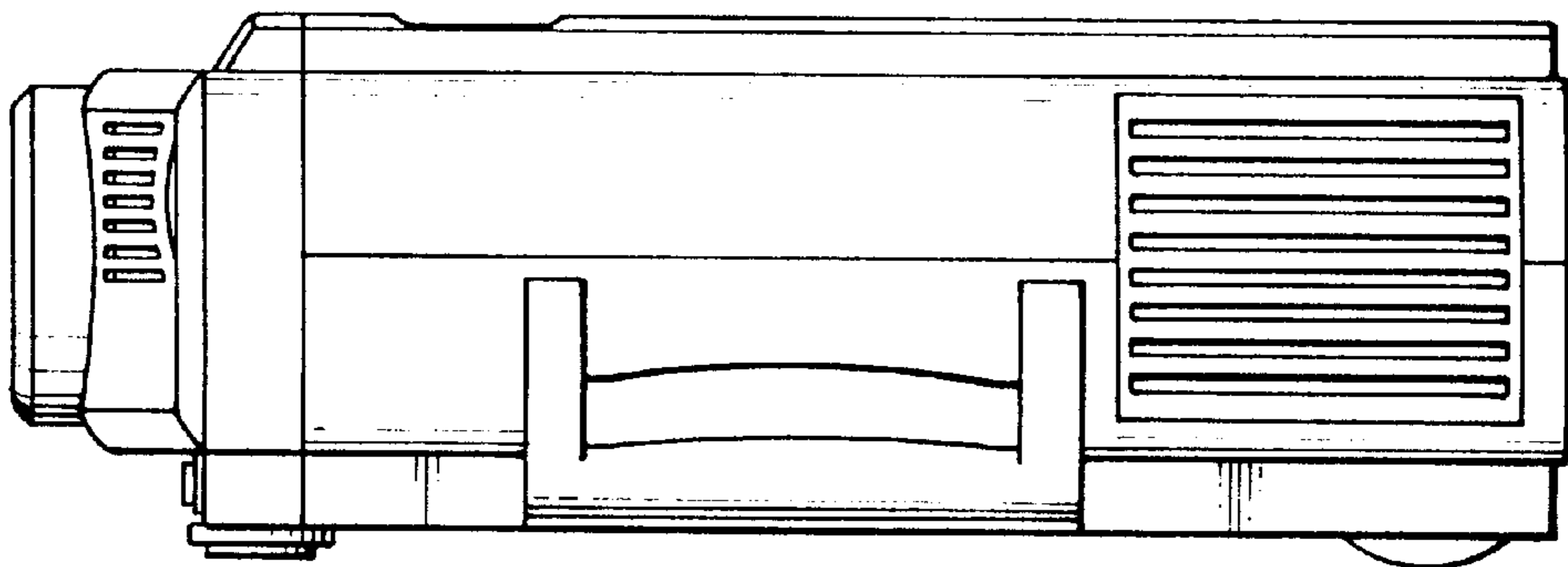


FIG. 6

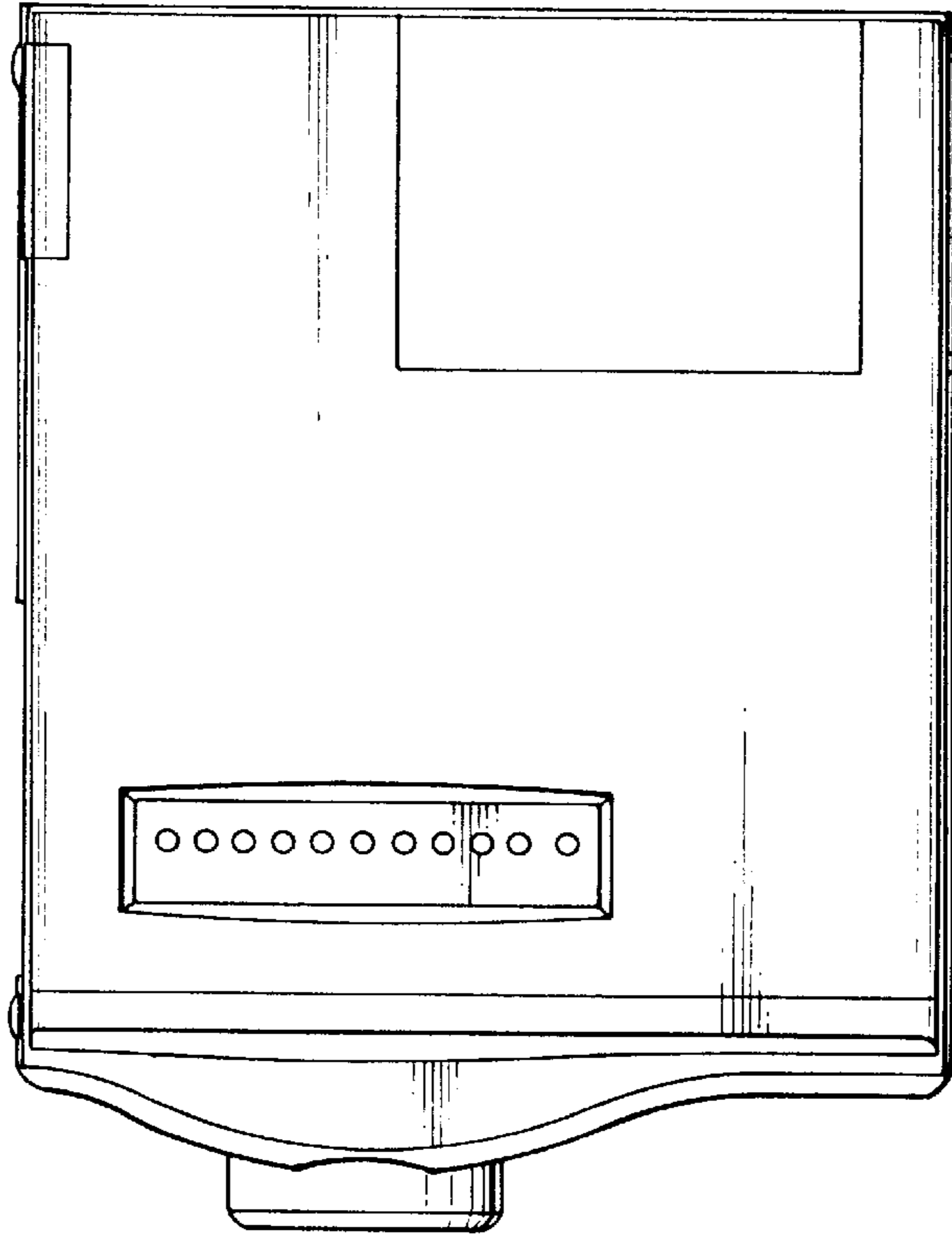


FIG. 7

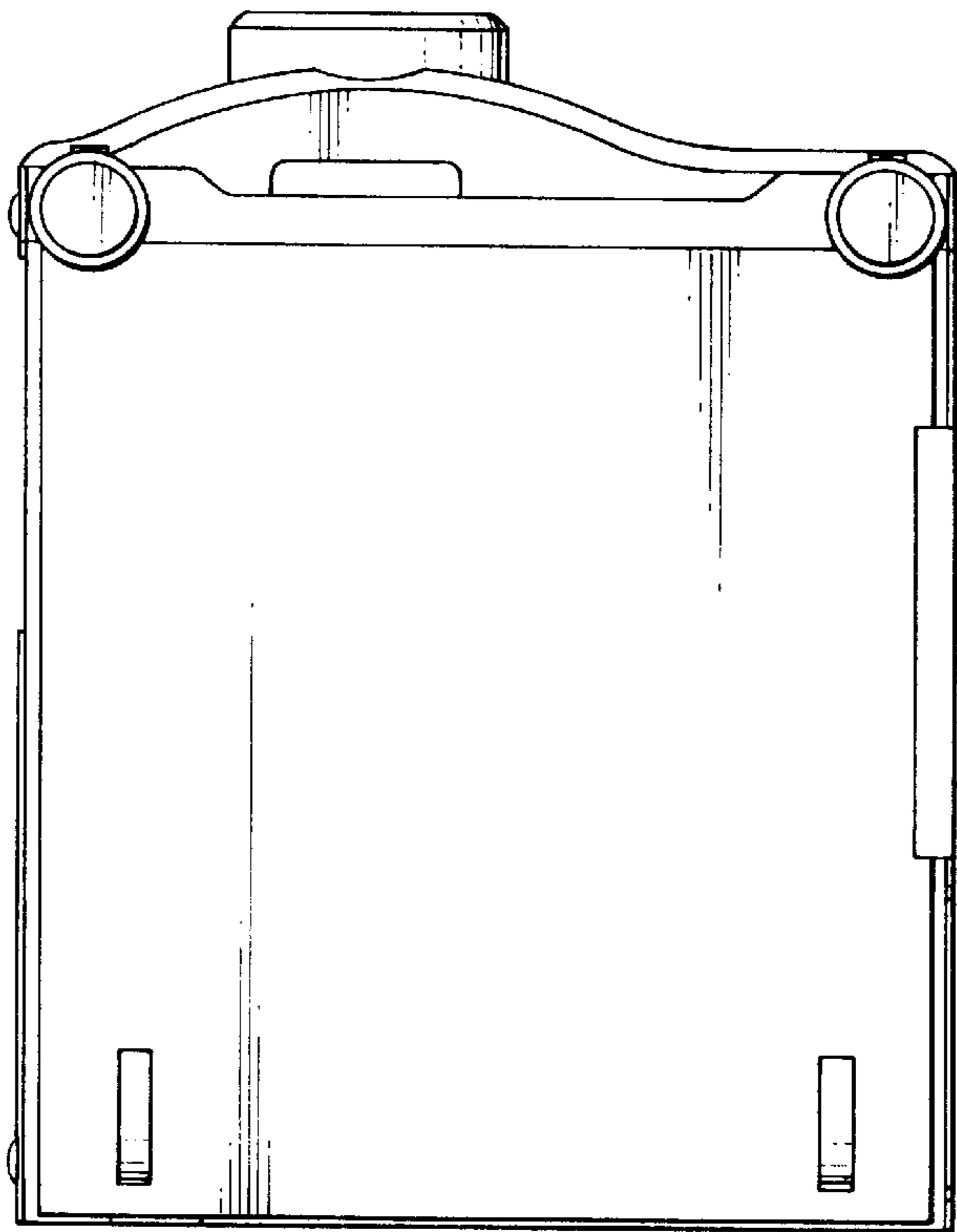


FIG. 8

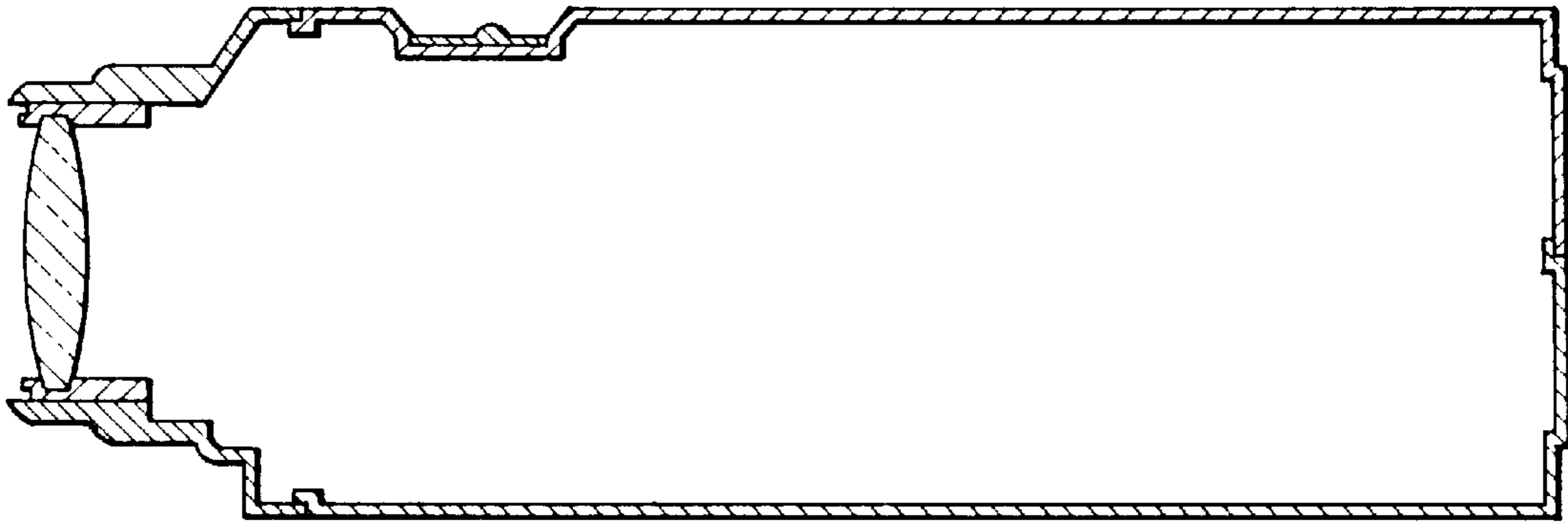


FIG. 9

