



US00D420375S

United States Patent [19]
Goff et al.

[11] **Patent Number: Des. 420,375**
[45] **Date of Patent: ** Feb. 8, 2000**

[54] **VISOR MAGNIFIER FRONT**
[75] Inventors: **James A. Goff**, Webster; **Richard J. Stryker**, Scottsville; **Paul Eric Carlson**; **Howard Scott Ryan**, both of Skaneateles, all of N.Y.

2,876,454 3/1959 Simpson .
3,325,824 6/1967 Donegan .
3,572,931 3/1971 Adler .
4,945,573 8/1990 Landis .
4,964,171 10/1990 Landis .
5,471,679 12/1995 Paoluccio .
5,546,099 8/1996 Quint et al. 2/15
5,548,841 8/1996 Sherlock et al. .
5,727,251 3/1998 Sherlock et al. 2/15

[73] Assignee: **Bausch & Lomb Incorporated**, Rochester, N.Y.

[**] Term: **14 Years**

Primary Examiner—Paula A. Mortimer
Attorney, Agent, or Firm—Mary Anne Magee

[21] Appl. No.: **29/094,094**

[57] **CLAIM**

[22] Filed: **Sep. 25, 1998**

The ornamental design for a visor magnifier front, as shown and described.

[51] **LOC (7) Cl.** **16-06**

[52] **U.S. Cl.** **D16/135; D16/130**

[58] **Field of Search** D16/130, 135, D16/136, 310, 340; 359/815, 376; D29/103, 104, 100; 2/15, 9, 10, 11, 12, 422, 439

DESCRIPTION

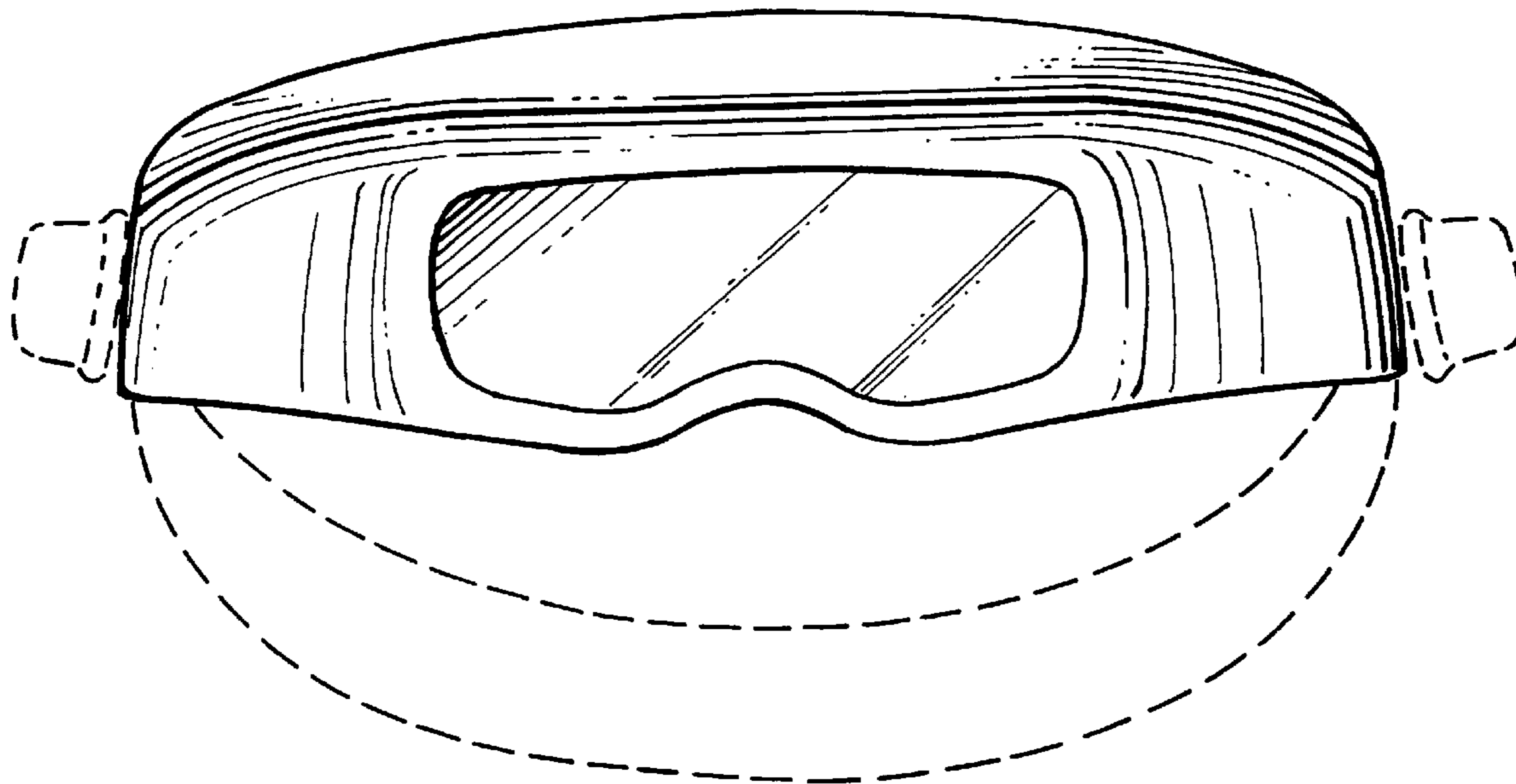
FIG. 1 is a front elevational view of a visor magnifier front showing my new design;
FIG. 2 is a rear elevational view thereof;
FIG. 3 is a top plan view thereof;
FIG. 4 is a side elevational view thereof;
FIG. 5 is a front, top perspective view thereof;
FIG. 6 is a view similar to FIG. 5 with the visor magnifier being moved to a down position; and,
FIG. 7 is a bottom, front perspective view thereof.
The broken line showing of the headband and knobs in all views is for illustrative purposes only and forms no part of the claimed design.

[56] **References Cited**

U.S. PATENT DOCUMENTS

- D. 137,337 2/1944 Gainsborg et al. .
- D. 154,492 7/1949 Katz .
- D. 327,491 6/1992 Chandler .
- D. 359,060 6/1995 Sherlock et al. .
- 1,916,678 7/1933 Malcom .
- 2,194,192 3/1940 Aver 2/439
- 2,502,162 3/1950 Malcom .
- 2,588,553 3/1952 McWethy .
- 2,609,538 9/1952 Jackson .

1 Claim, 7 Drawing Sheets



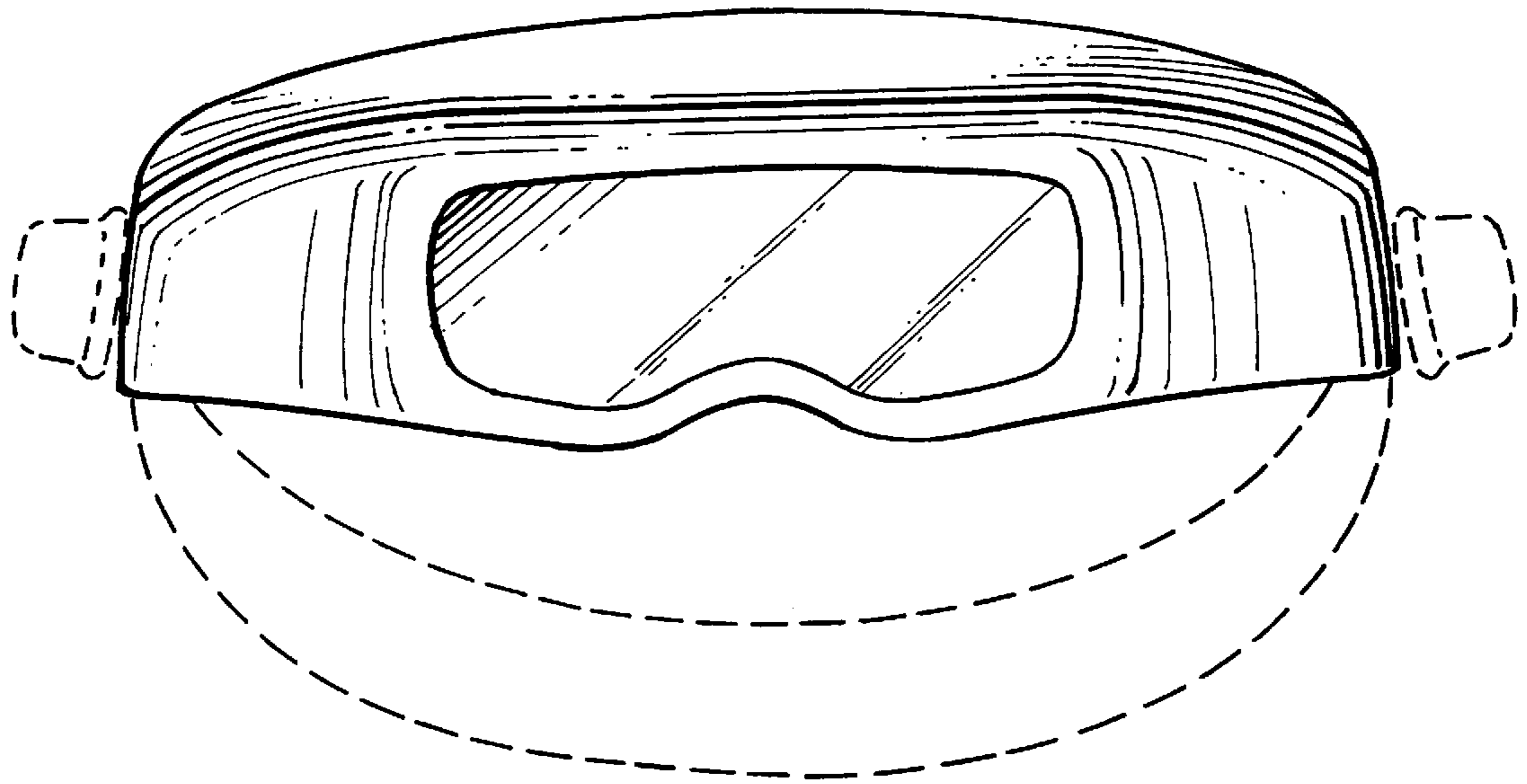


FIG. 1

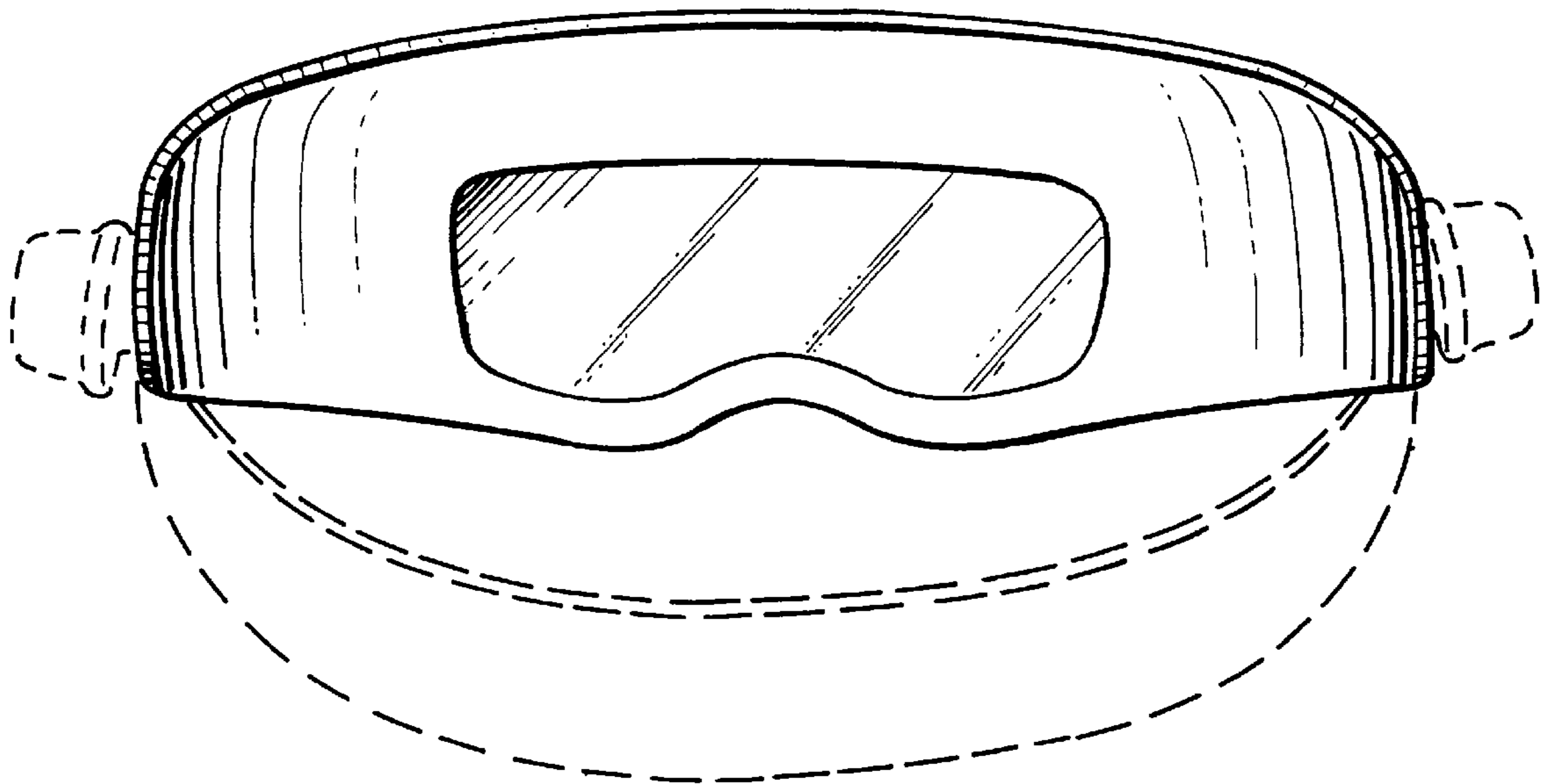


FIG. 2

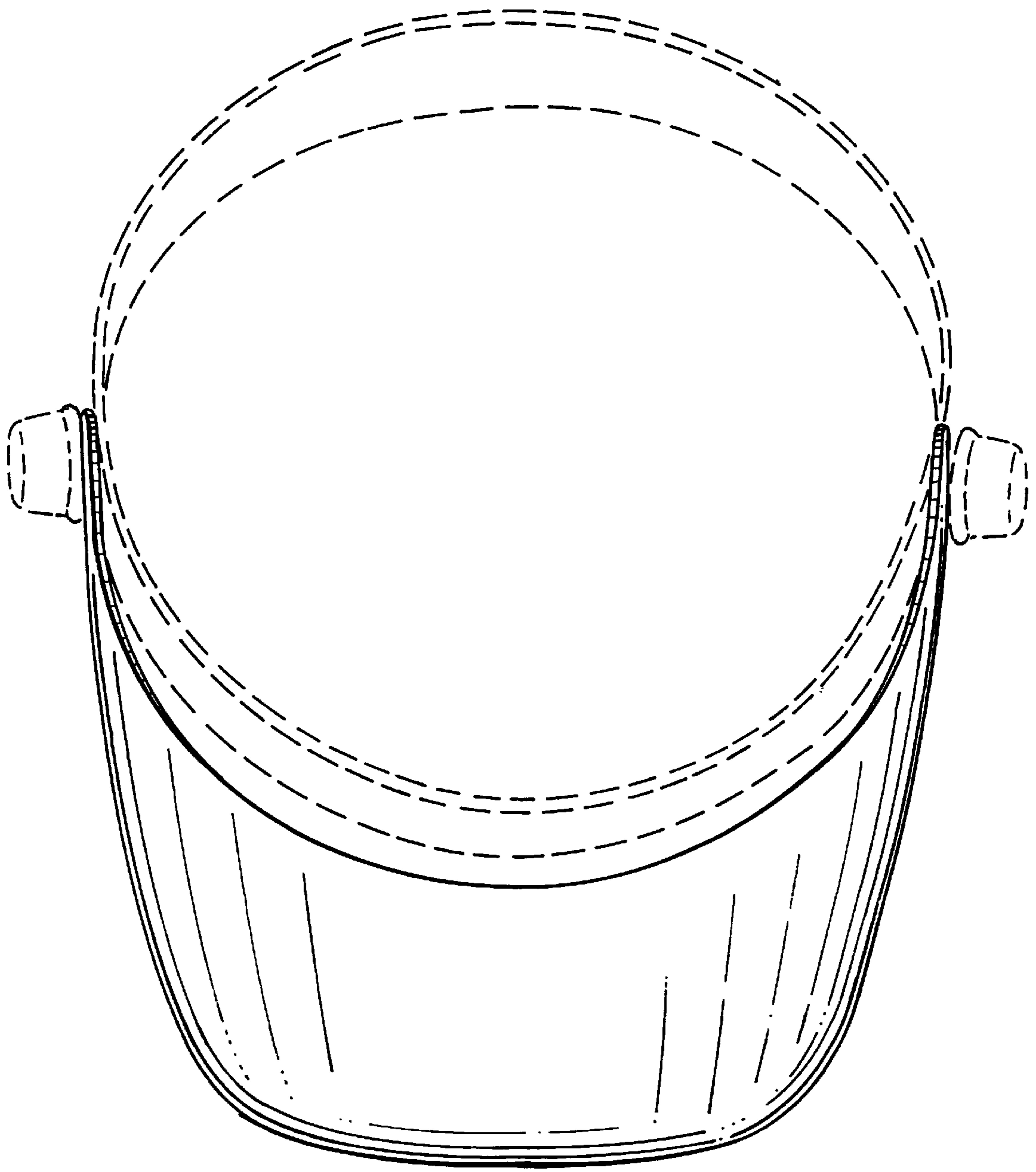


FIG. 3

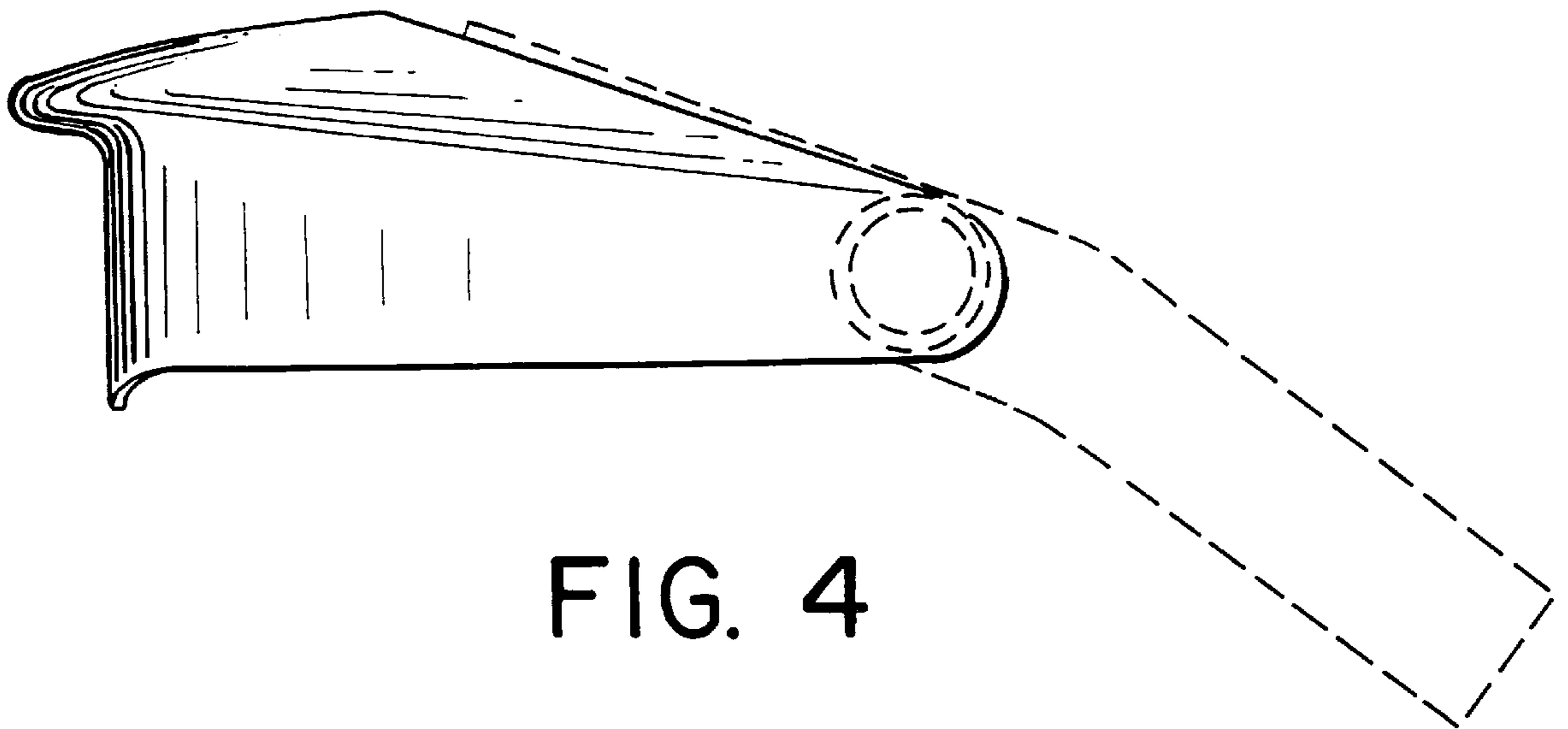


FIG. 4

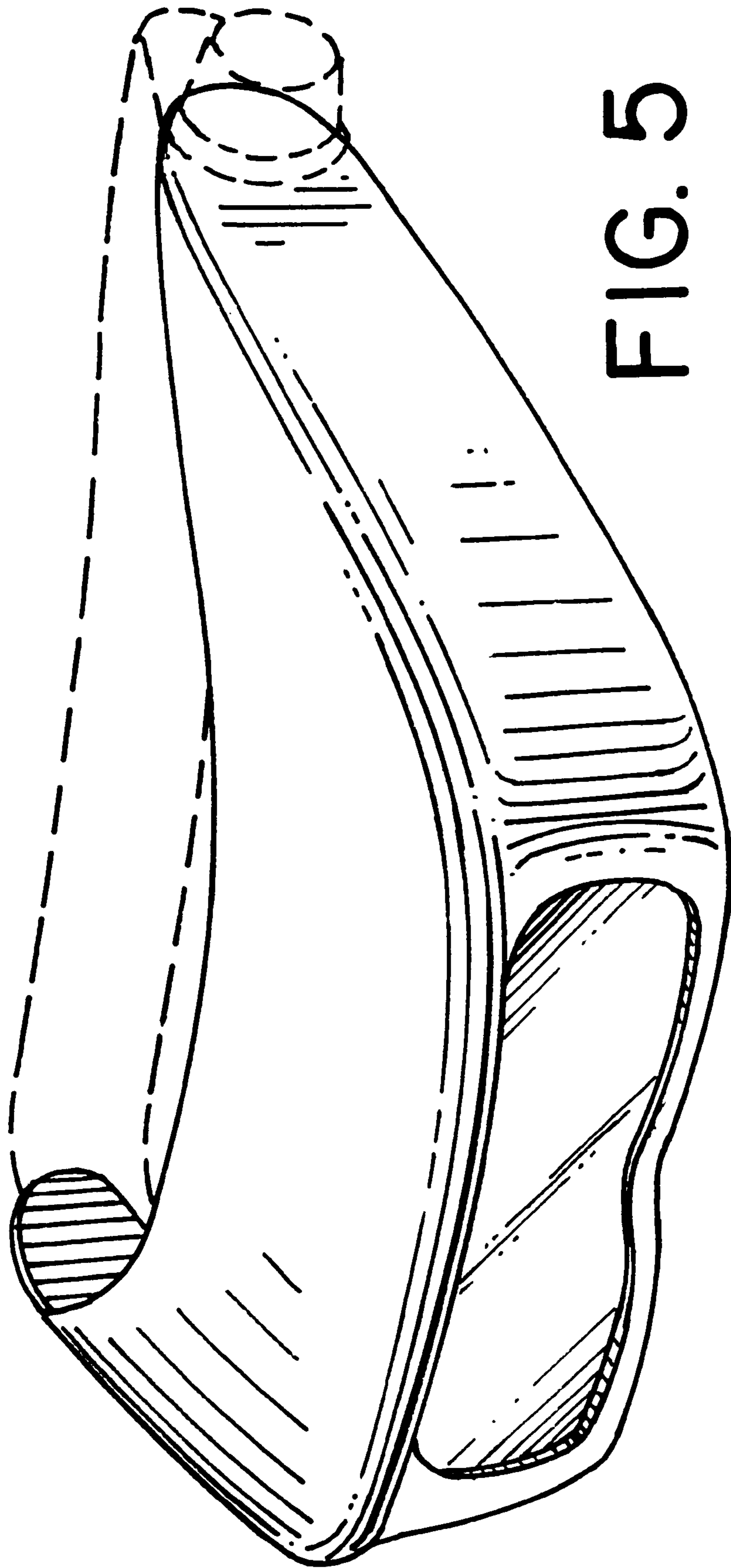


FIG. 5

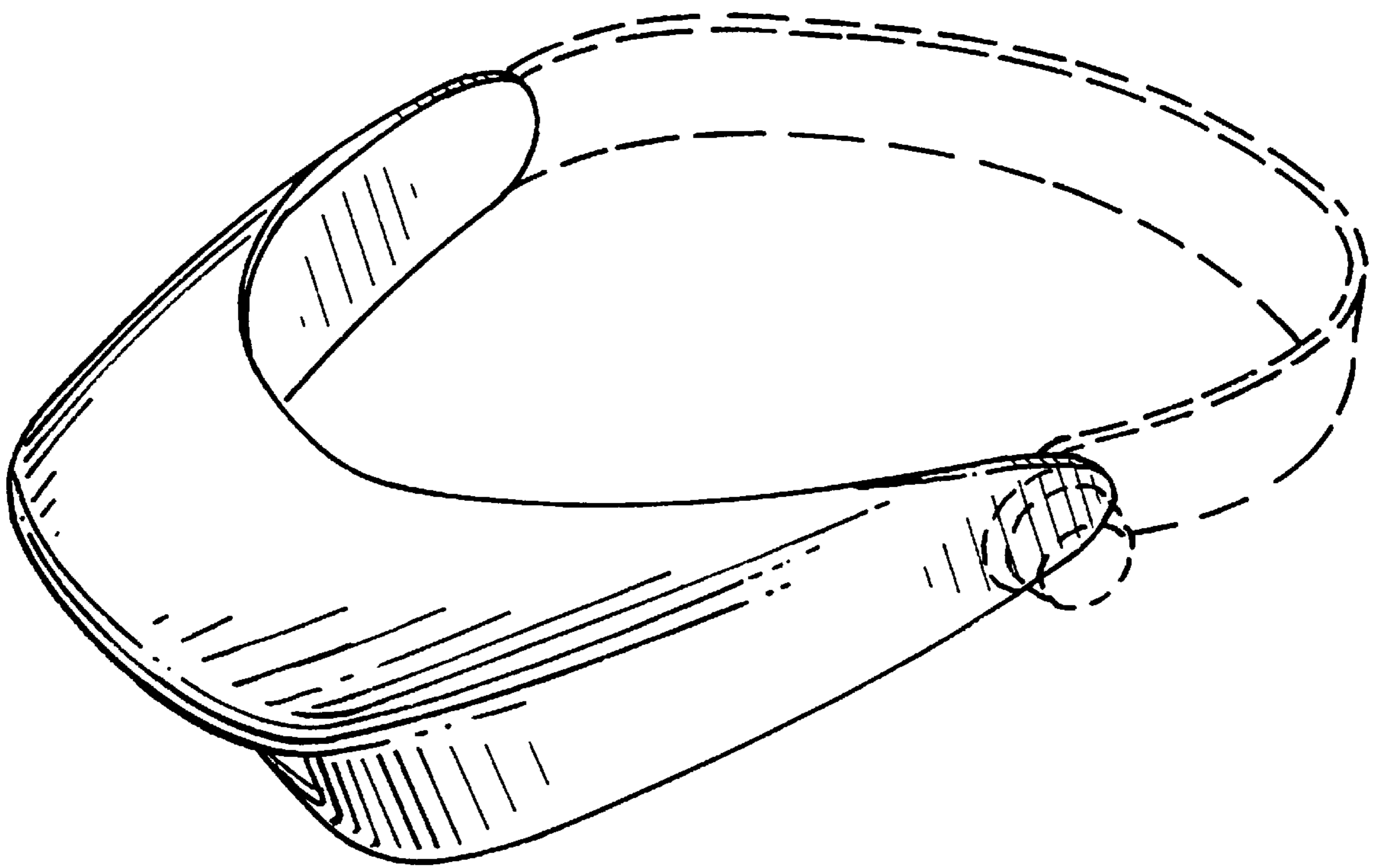


FIG. 6

FIG. 7

