



US00D420370S

United States Patent [19]

Shibata et al.

[11] Patent Number: **Des. 420,370**

[45] Date of Patent: **** Feb. 8, 2000**

[54] **MITER SAW**

5,778,747 7/1998 Chen 83/471.3

[75] Inventors: **Yoshinori Shibata; Takayoshi Kondo,**
both of Anjo, Japan

FOREIGN PATENT DOCUMENTS

872777 7/1993 Japan .

[73] Assignee: **Makita Corporation,** Aichi-Ken, Japan

Primary Examiner—Antoine Duval Davis
Attorney, Agent, or Firm—Dennison, Meserole, Scheiner & Schultz

[**] Term: **14 Years**

[21] Appl. No.: **29/103,653**

[57] CLAIM

[22] Filed: **Apr. 20, 1999**

The ornamental design for a miter saw, as shown and described.

[30] Foreign Application Priority Data

DESCRIPTION

Oct. 21, 1998 [JP] Japan 10-30633

[51] **LOC (7) Cl.** **15-09**

FIG. 1 is a perspective view of a miter saw showing our new design.

[52] **U.S. Cl.** **D15/133**

FIG. 2 is a front elevation view thereof;

[58] **Field of Search** D15/133; 83/397,
83/471.1, 471.2, 471.3, 477, 581

FIG. 3 is a rear elevation view thereof;

FIG. 4 is a left side elevation view thereof;

FIG. 5 is a right side elevation view thereof;

FIG. 6 is a top plan view thereof; and,

FIG. 7 is a bottom view thereof.

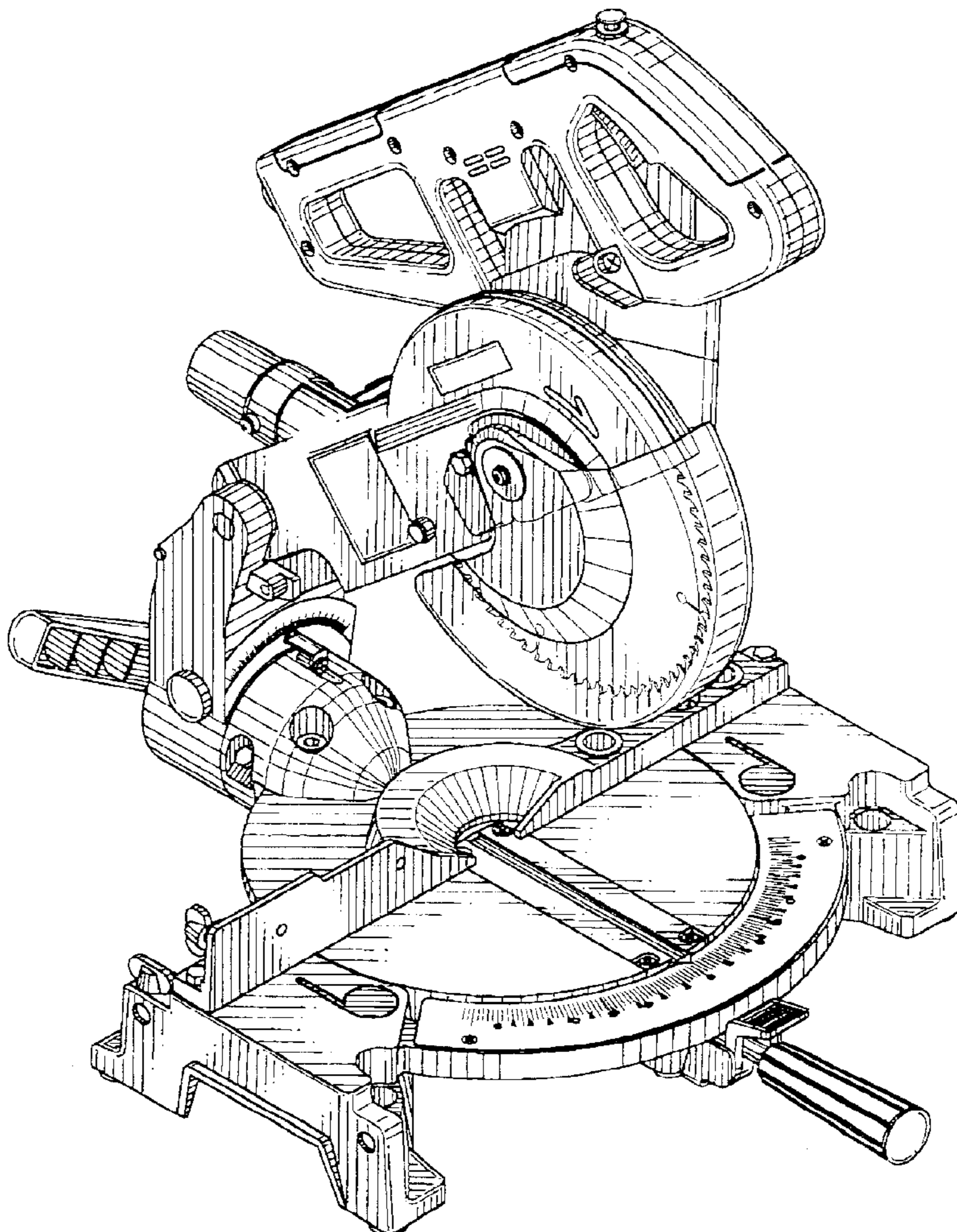
[56] References Cited

U.S. PATENT DOCUMENTS

D. 346,173 4/1994 Chen D15/133

D. 383,765 9/1997 Kani et al. .

1 Claim, 7 Drawing Sheets



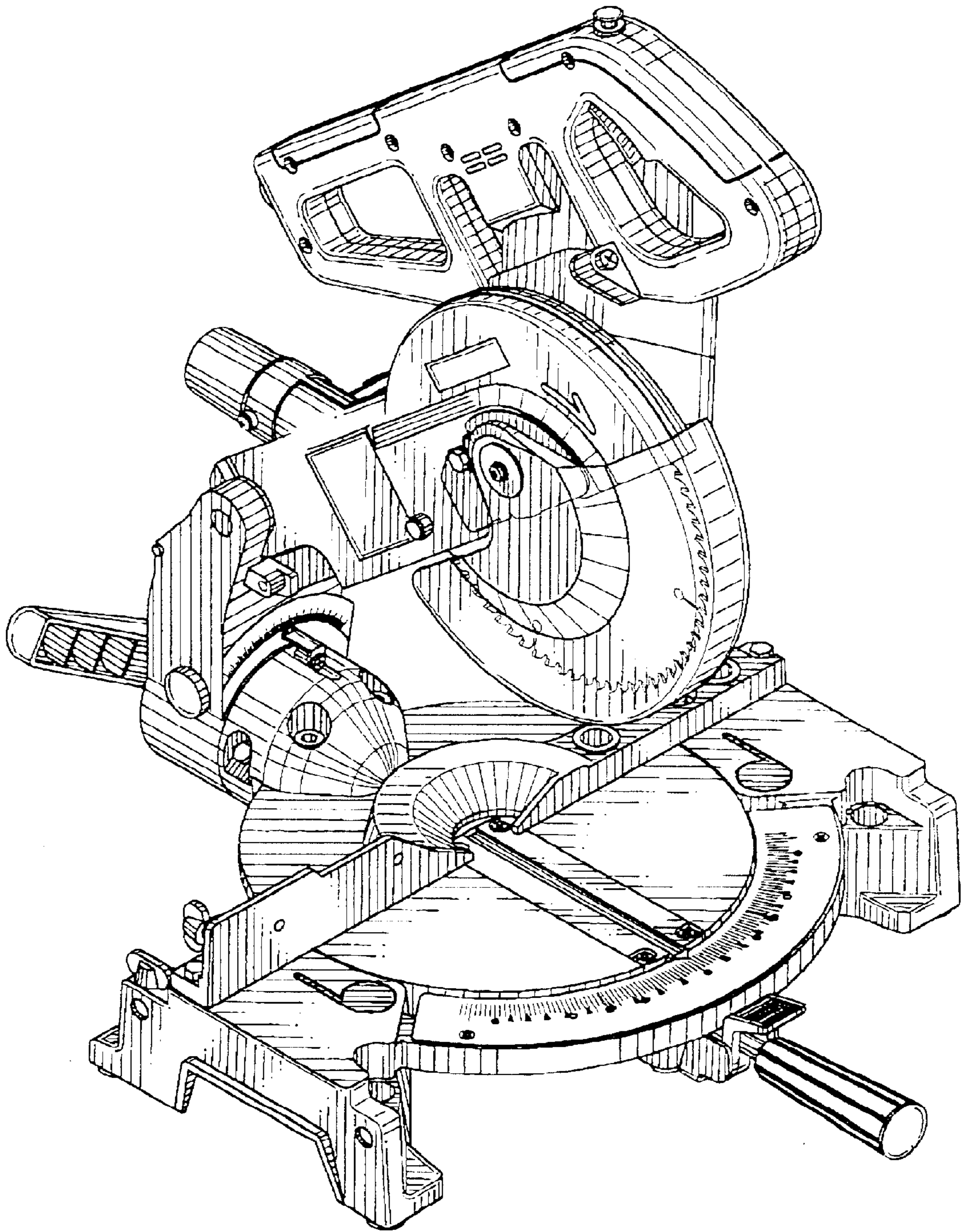


FIG. 1

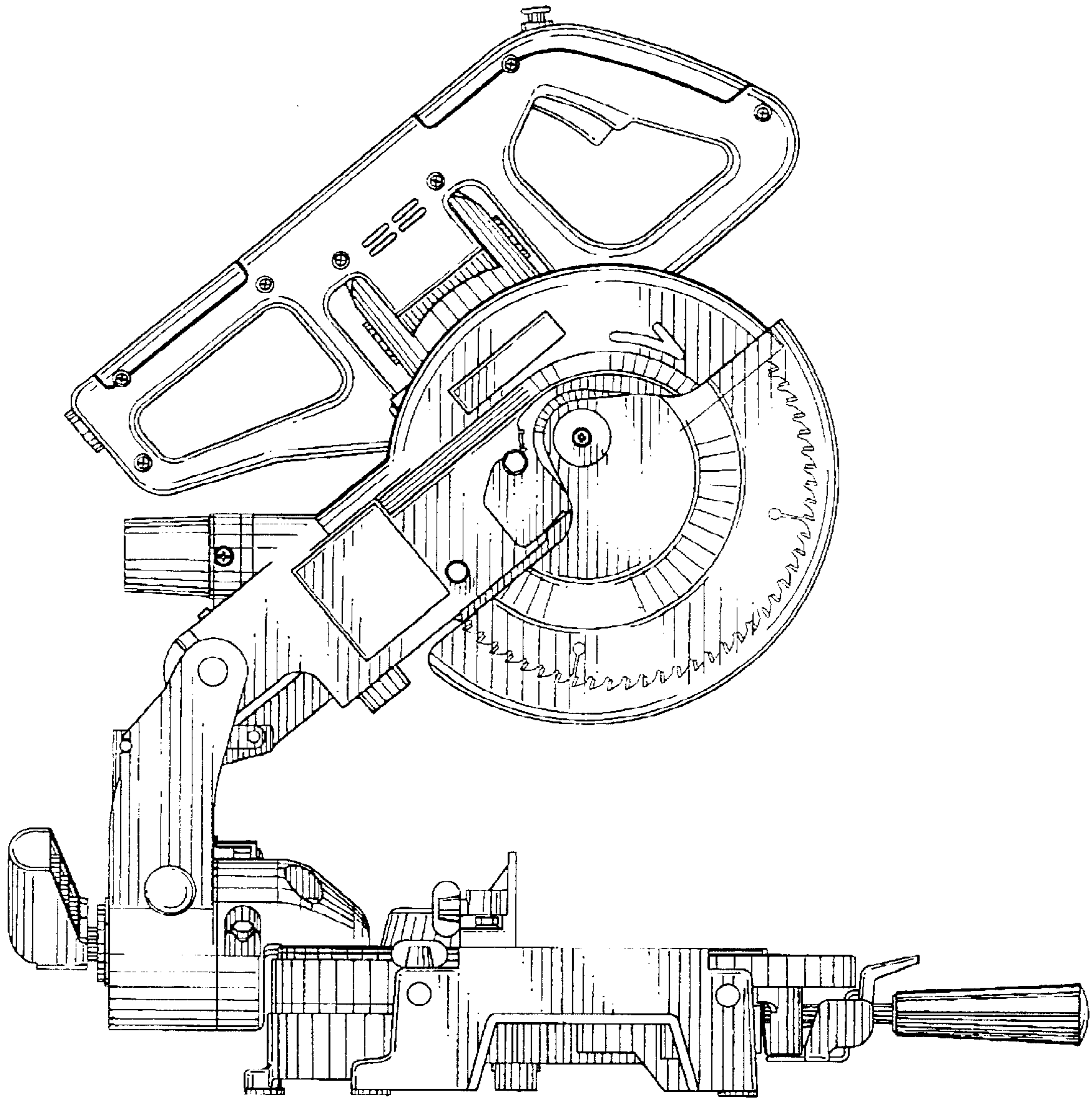


FIG. 2

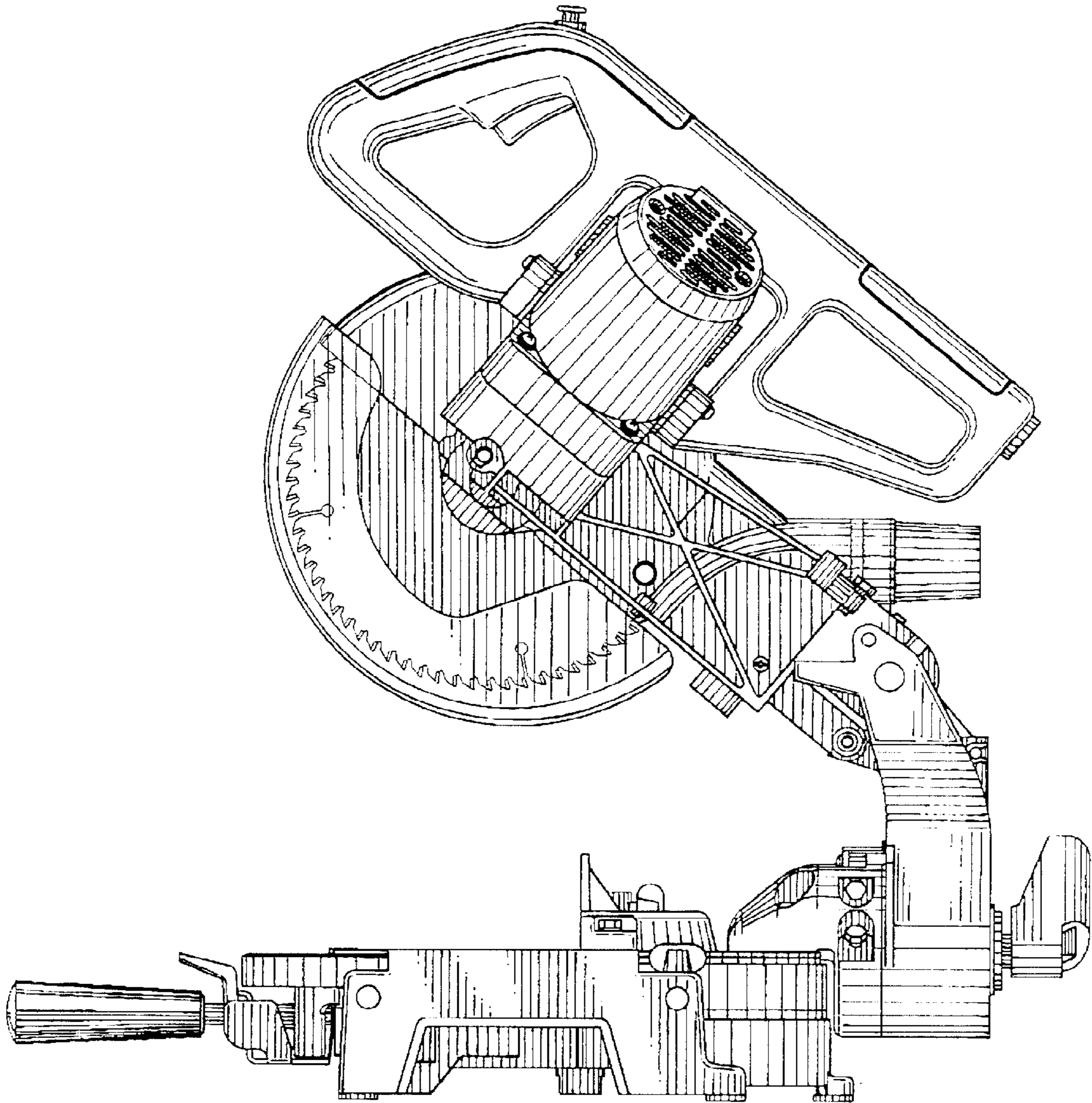


FIG. 3

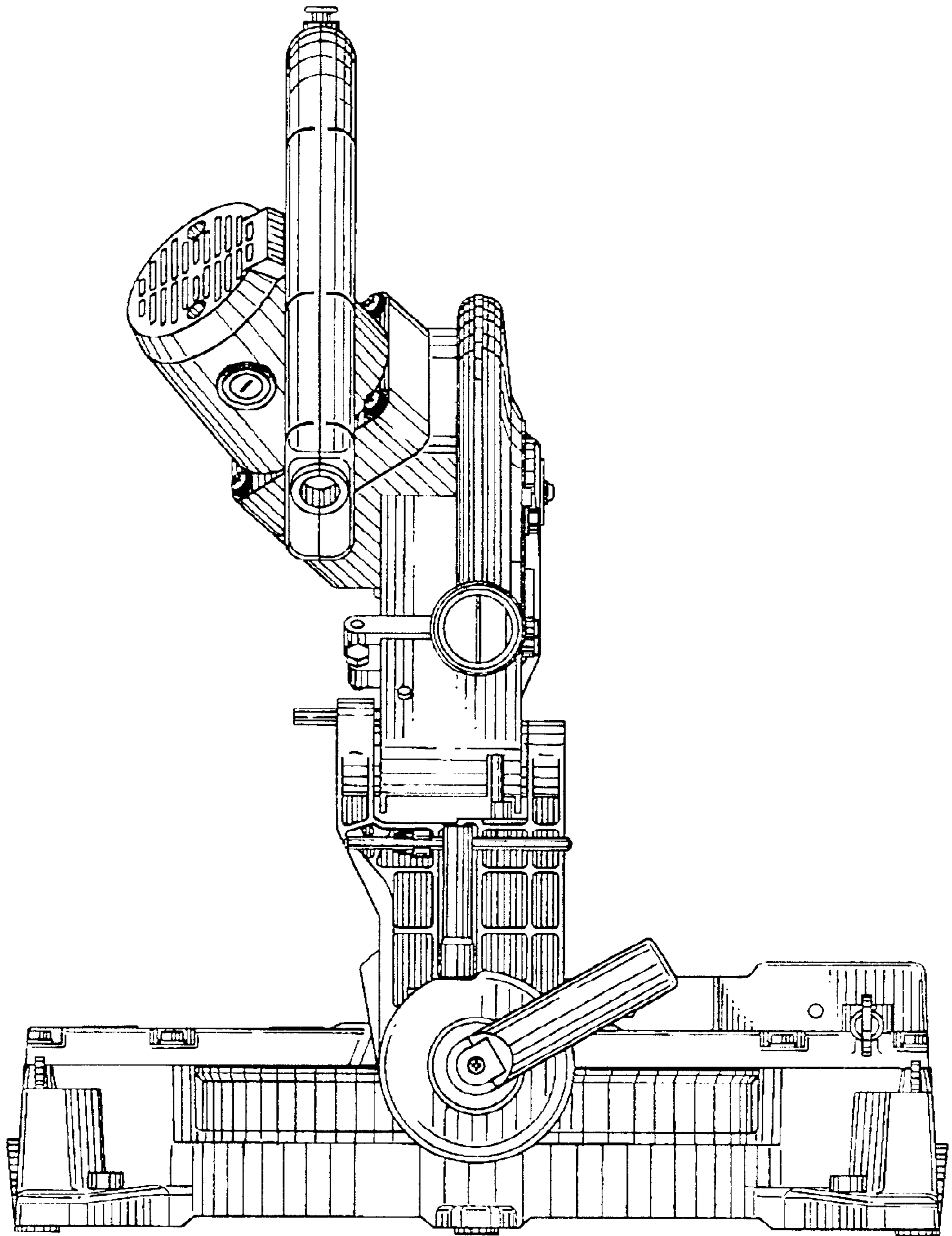


FIG. 4

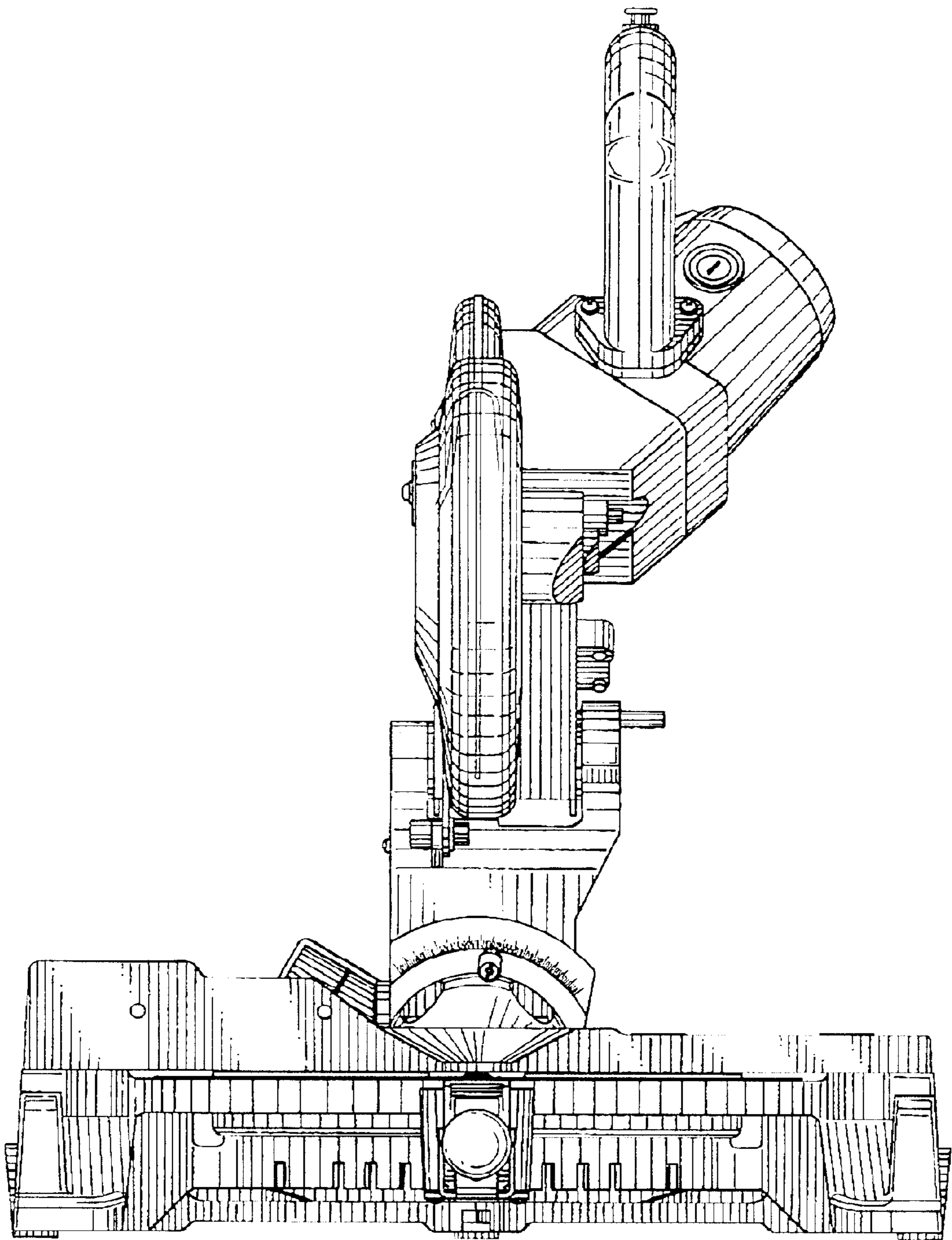


FIG. 5

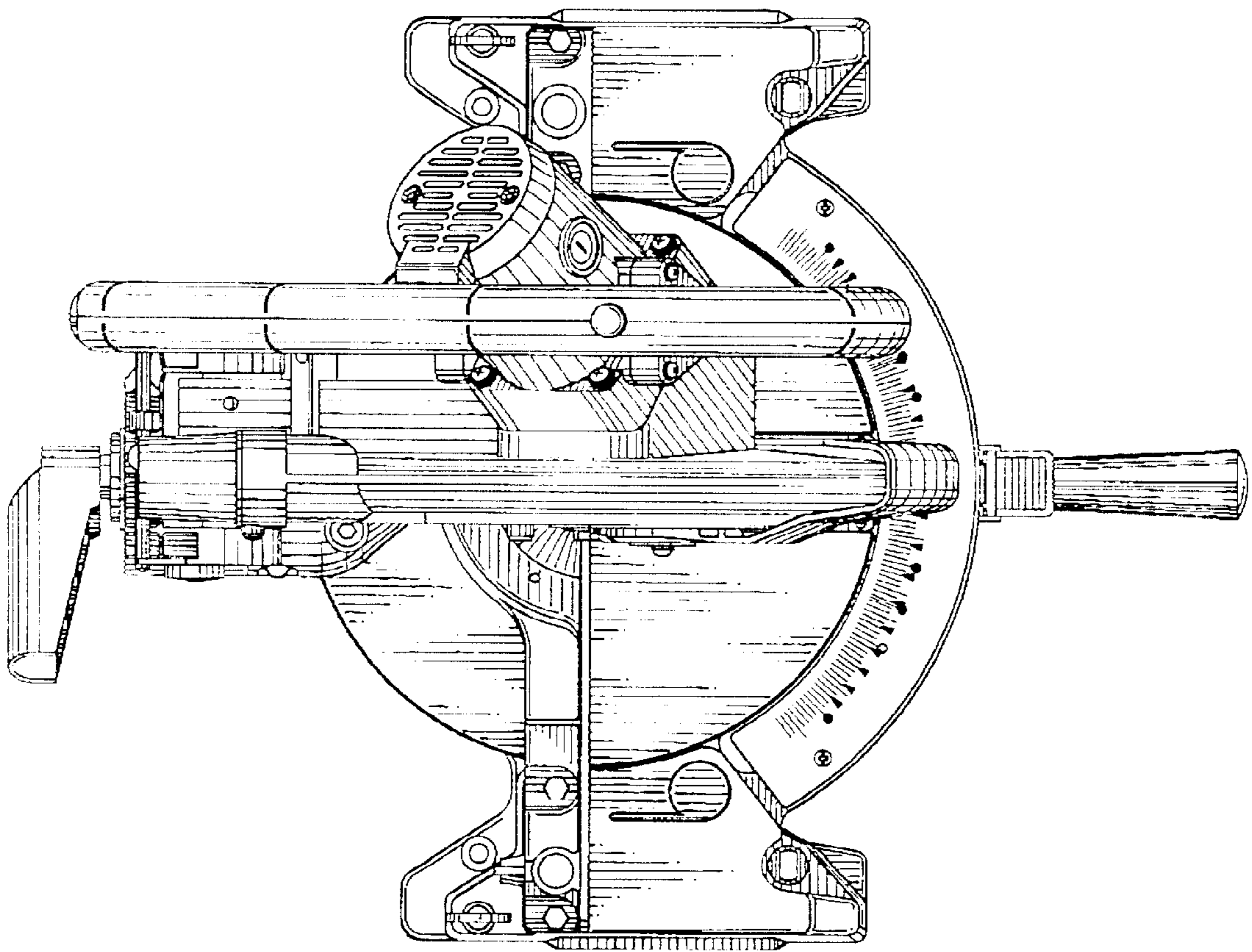


FIG. 6

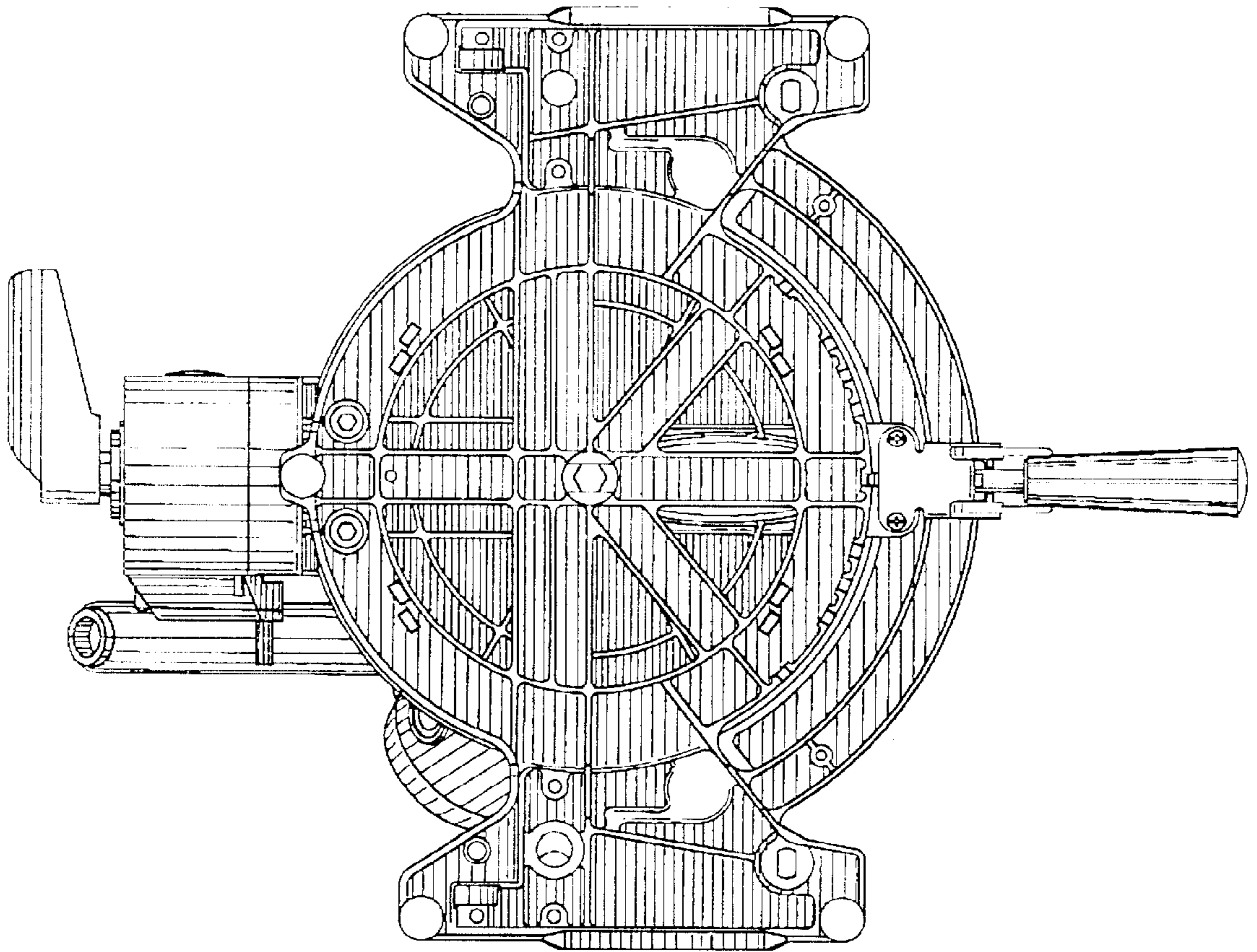


FIG. 7