



US00D420369S

United States Patent [19]

[11] Patent Number: **Des. 420,369**

Shibata et al.

[45] Date of Patent: **** Feb. 8, 2000**

[54] **MITER SAW**

5,778,747 7/1998 Chen 83/471.3
5,870,939 2/1999 Matsubara 83/471.3

[75] Inventors: **Yoshinori Shibata; Hisashi Higuchi; Junichi Masuda**, all of Anjo, Japan

OTHER PUBLICATIONS

Makita Catalog—Jul. 1998.

[73] Assignee: **Makita Corporation**, Anjo, Japan

Primary Examiner—Antoine Duval Davis
Attorney, Agent, or Firm—Dennison, Meserole, Scheiner & Schultz

[**] Term: **14 Years**

[21] Appl. No.: **29/099,146**

[57] CLAIM

[22] Filed: **Jan. 14, 1999**

The ornamental design for a miter saw, as shown and described.

[30] Foreign Application Priority Data

Jul. 15, 1998 [JP] Japan 10-20597

DESCRIPTION

[51] **LOC (7) Cl.** **15-09**

FIG. 1 is a perspective view of a miter saw showing our new design.

[52] **U.S. Cl.** **D15/133**

FIG. 2 is a front elevation view thereof;

[58] **Field of Search** D15/133; 83/471.3, 83/471.2, 471.1, 477, 581

FIG. 3 is a rear elevation view thereof;

FIG. 4 is a left side elevation view thereof;

FIG. 5 is a right side elevation view thereof;

FIG. 6 is a top plan view thereof; and,

FIG. 7 is a bottom view thereof.

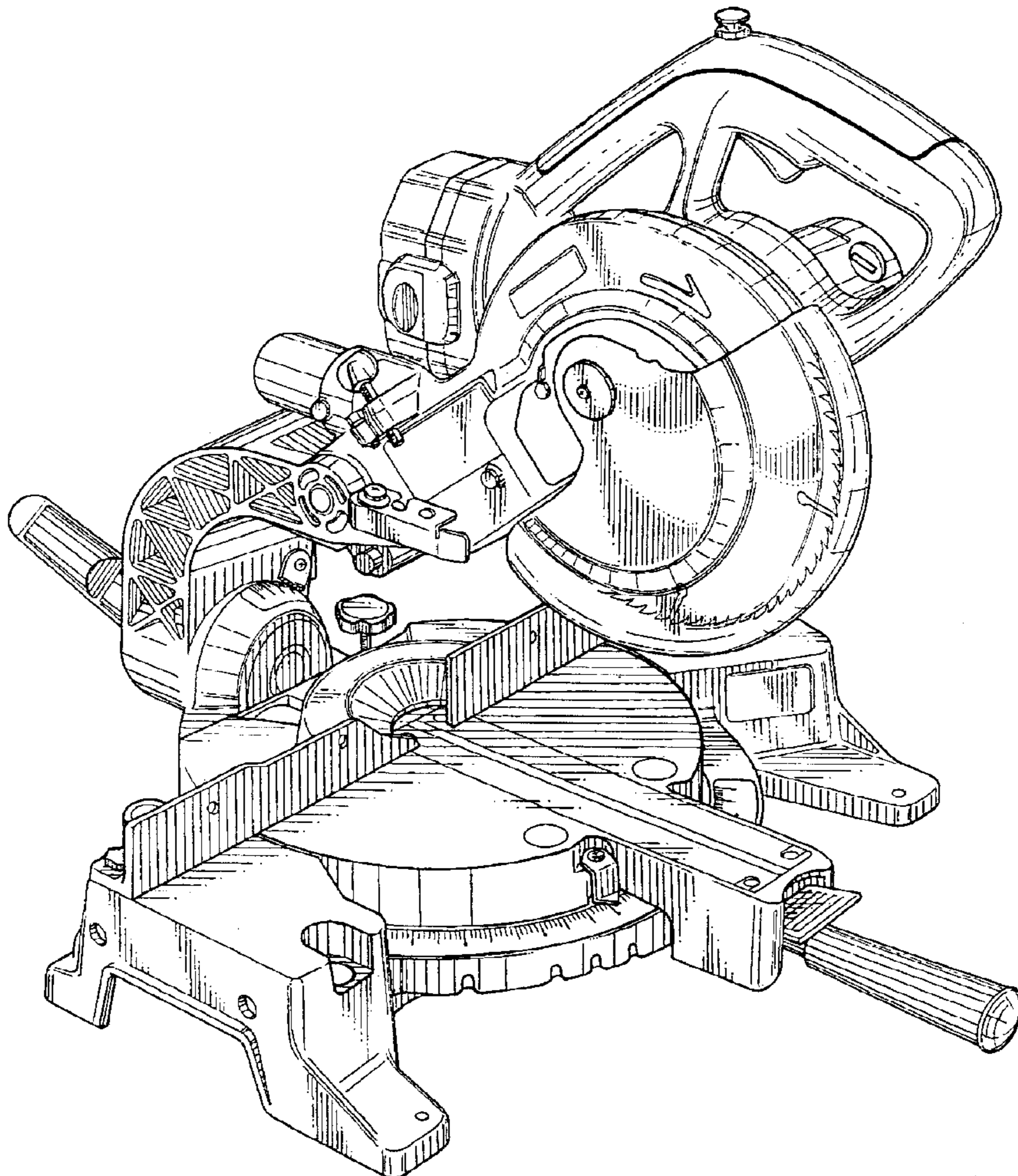
[56] References Cited

U.S. PATENT DOCUMENTS

D. 331,416 12/1992 Fushiya et al. D15/133

D. 383,472 9/1997 Higuchi et al. .

1 Claim, 7 Drawing Sheets



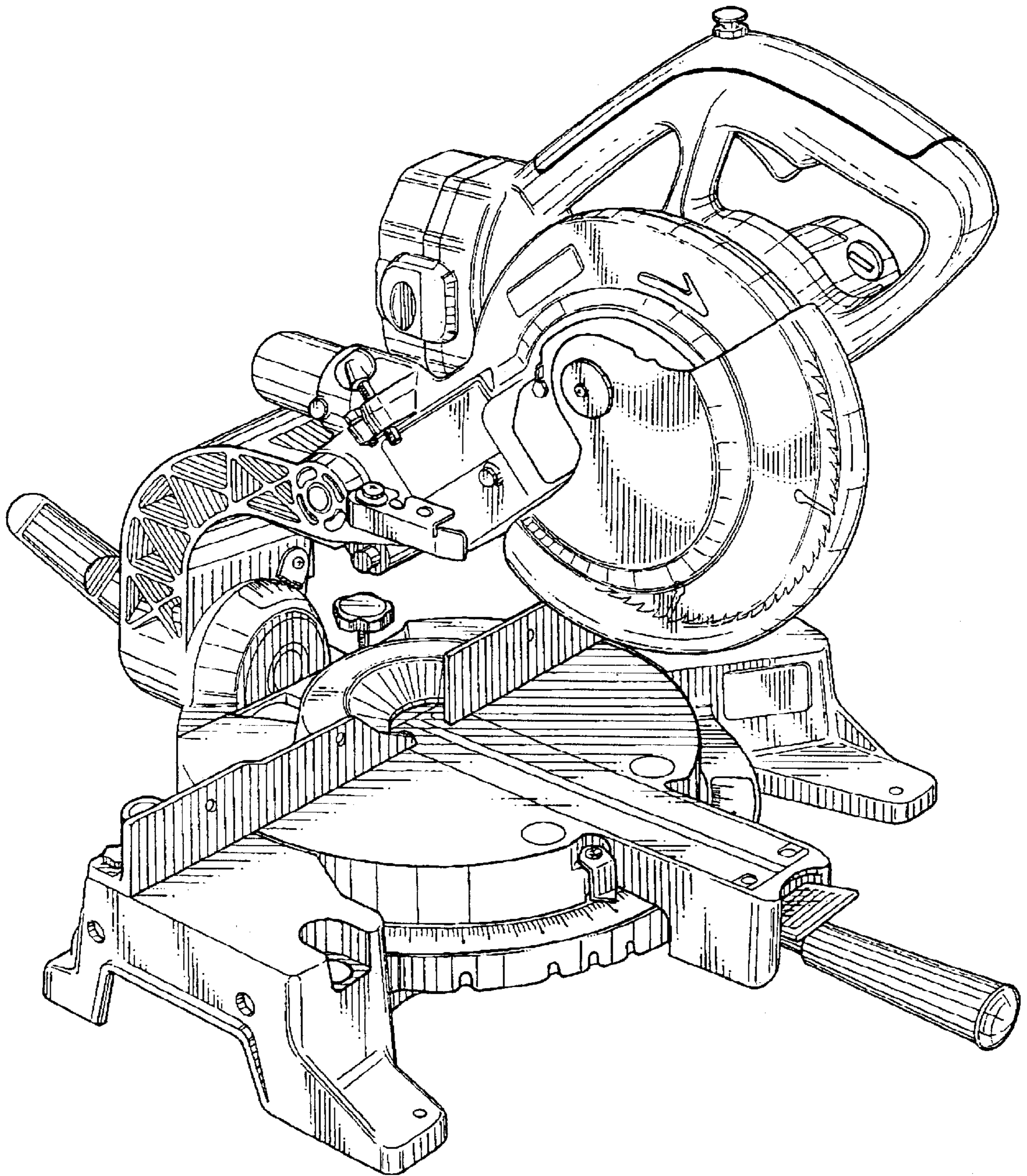


FIG. 1

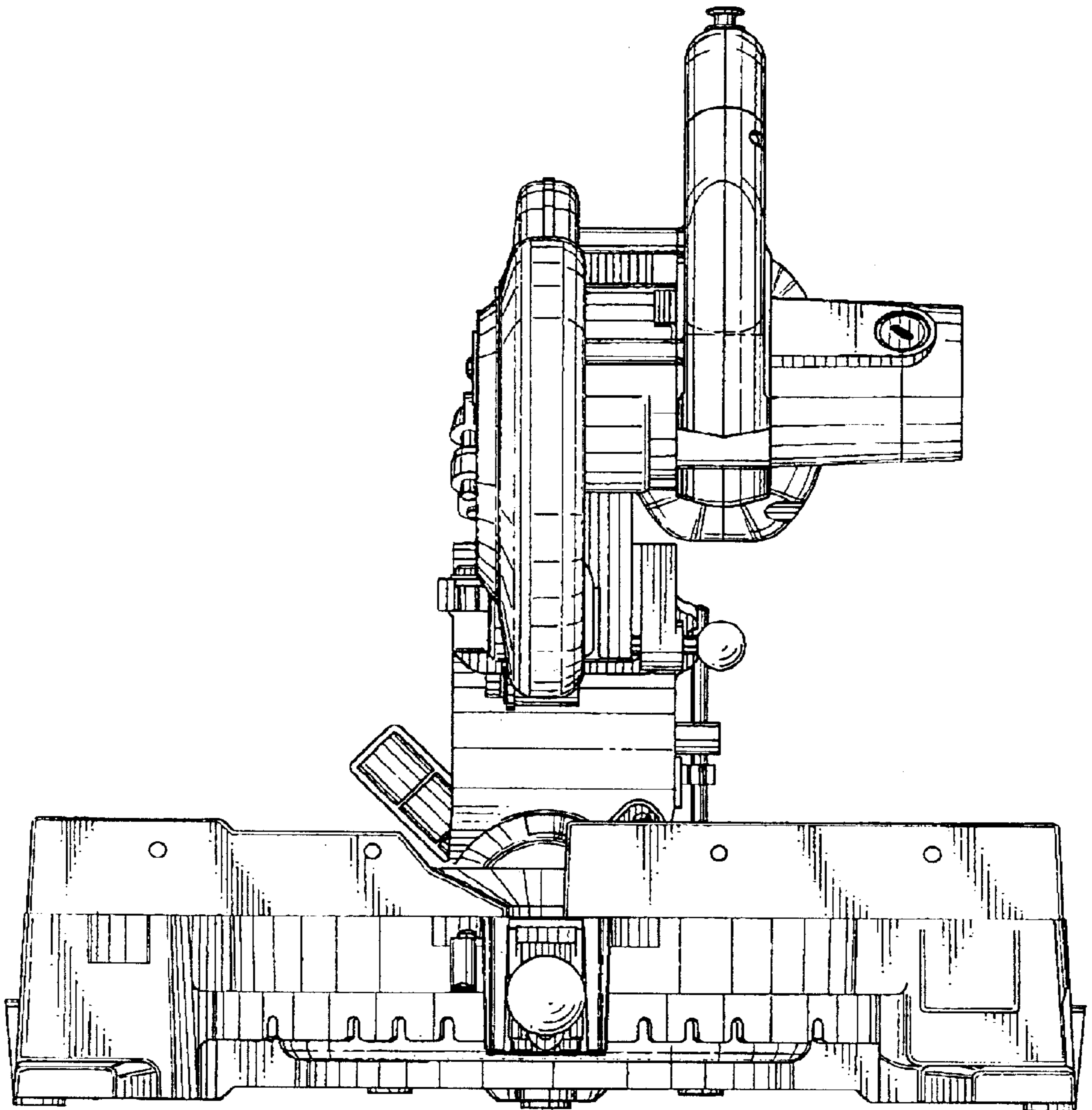


FIG. 2

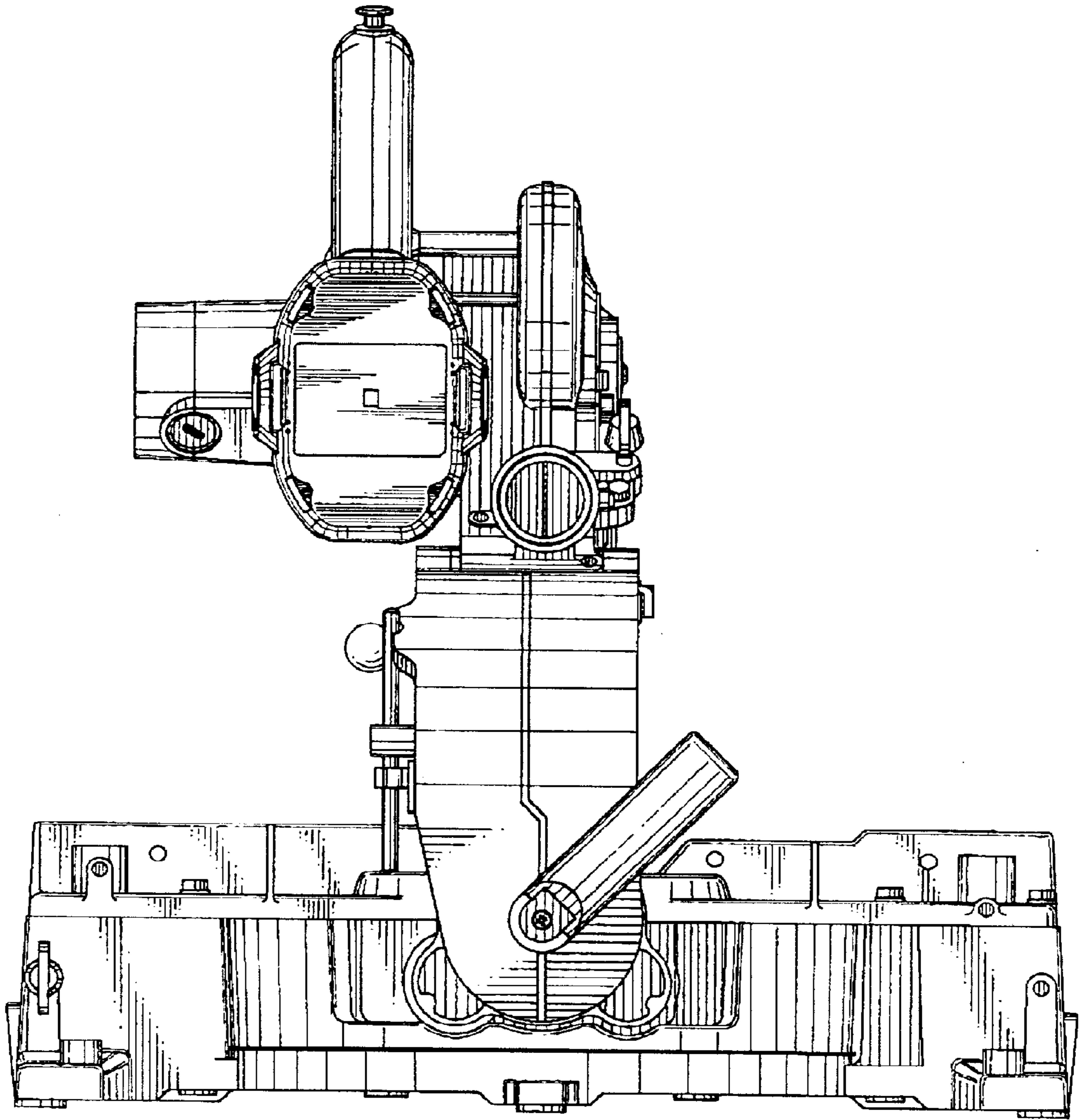


FIG. 3

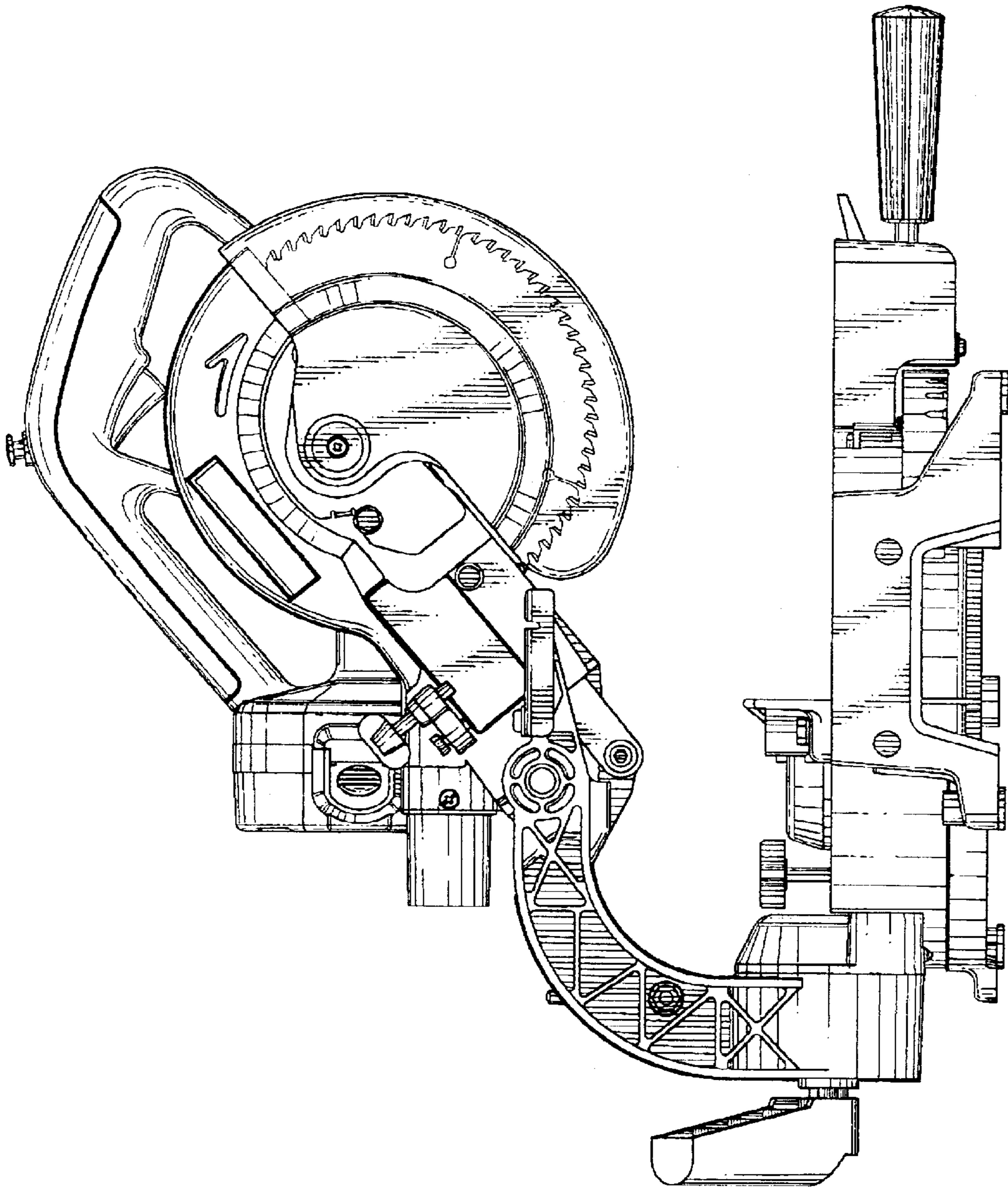


FIG. 4

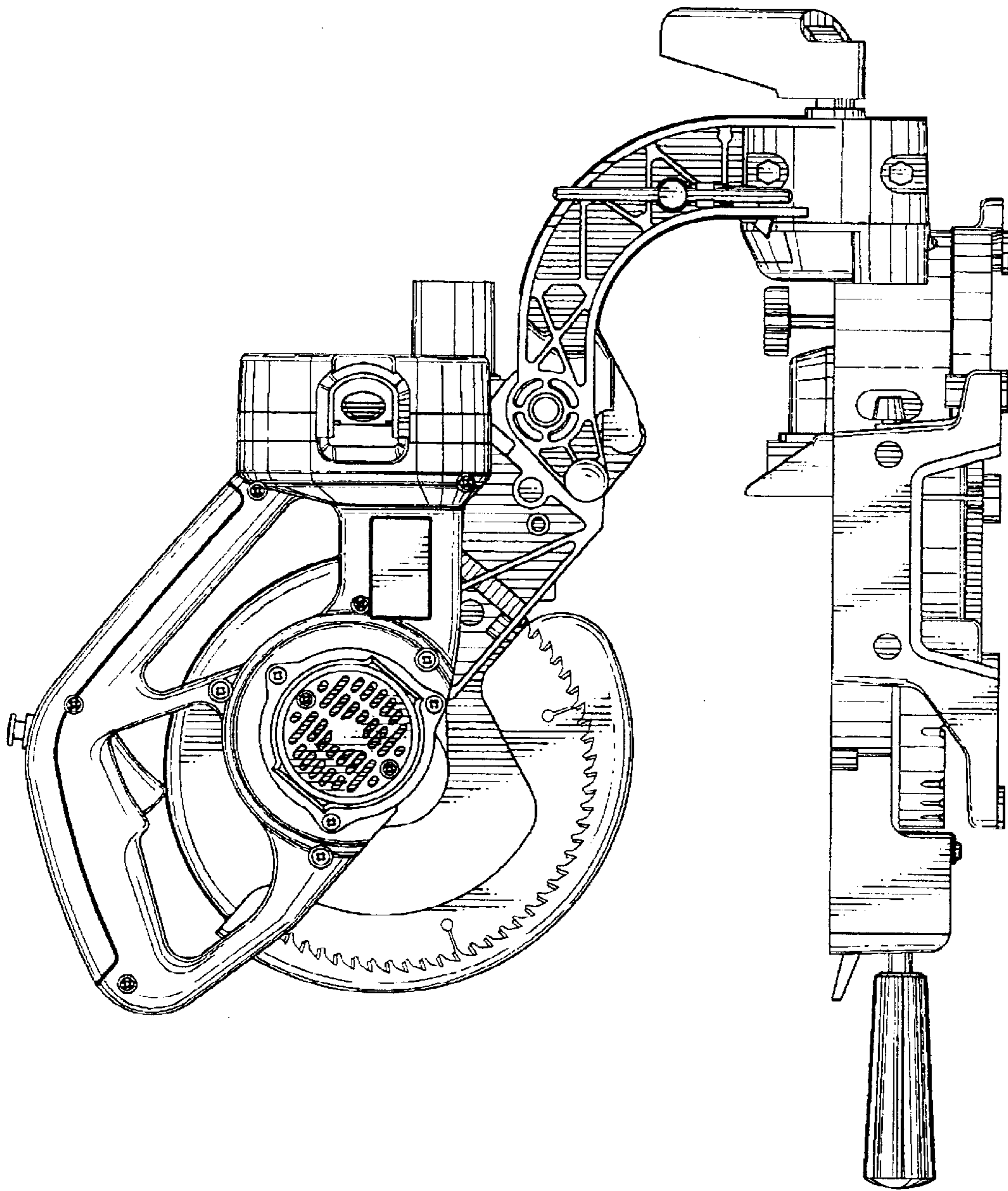


FIG. 5

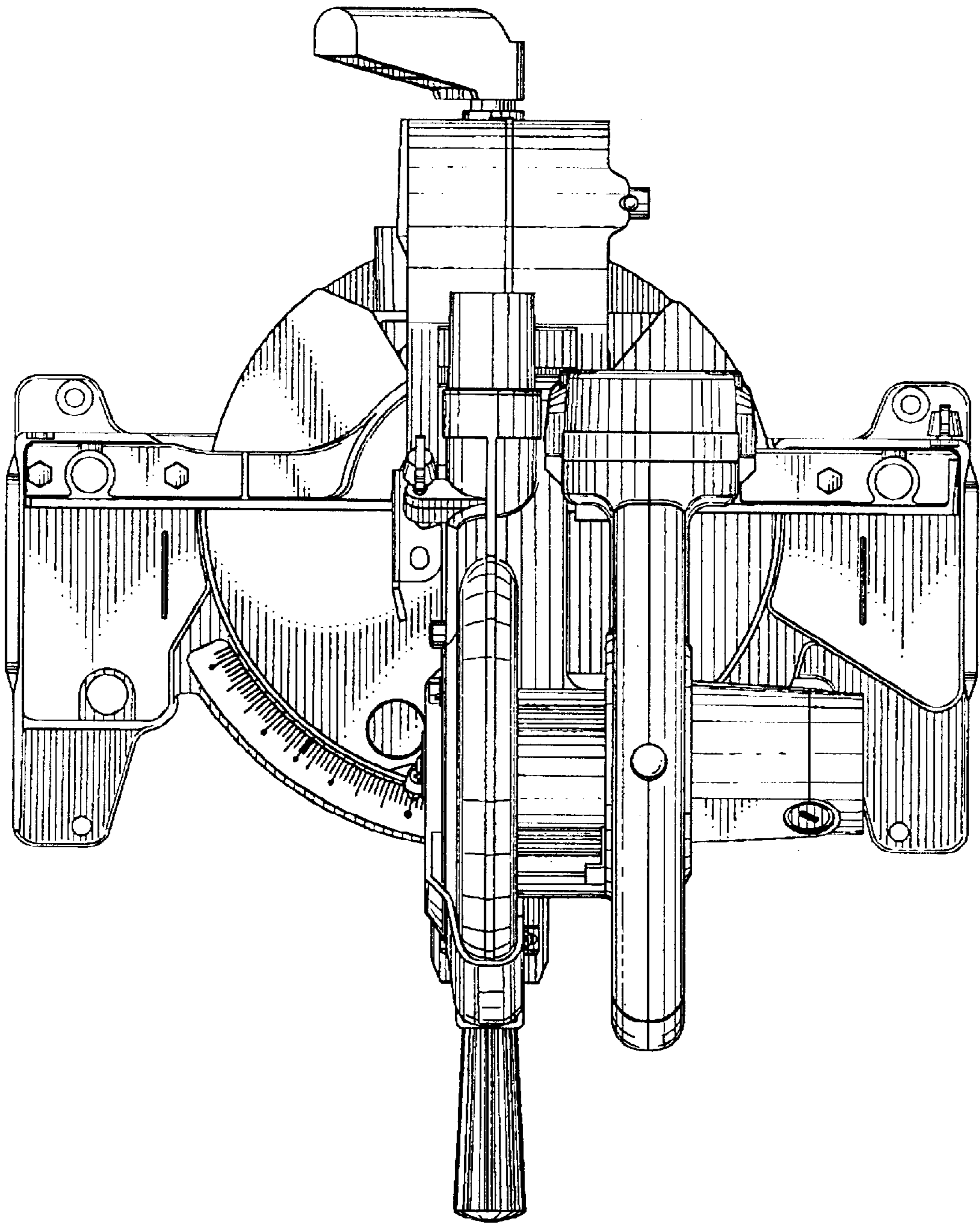


FIG. 6

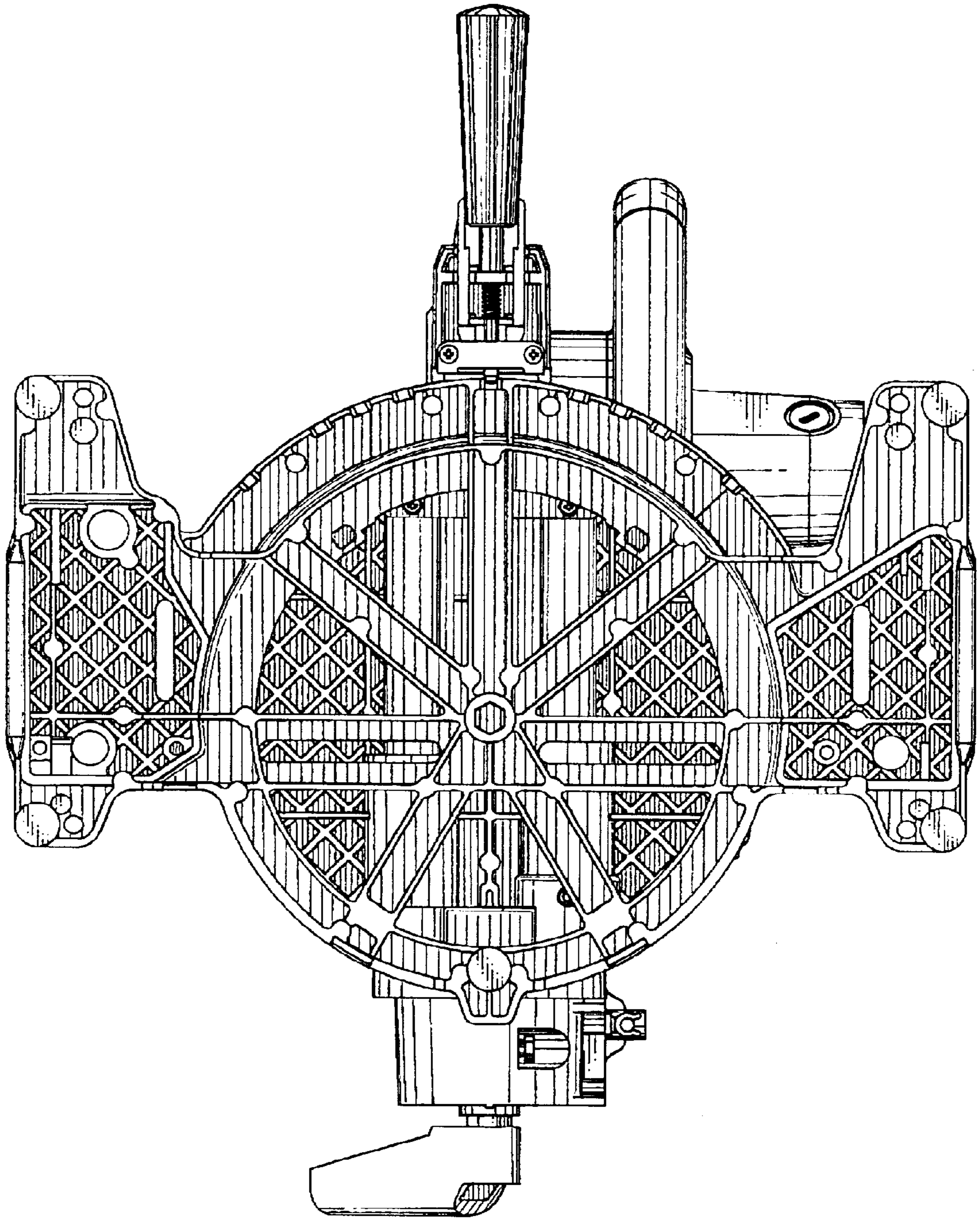


FIG. 7