



US00D420365S

United States Patent [19]
Gunnar

[11] **Patent Number: Des. 420,365**

[45] **Date of Patent: ** Feb. 8, 2000**

[54] **LAWN MOWER**

[75] **Inventor: Leijonberg Gunnar, Huskvarna, Sweden**

[73] **Assignee: Aktiebolaget Electrolux, Stockholm, Sweden**

[**] **Term: 14 Years**

[21] **Appl. No.: 29/090,226**

[22] **Filed: Jul. 2, 1998**

[30] **Foreign Application Priority Data**

Jan. 8, 1998 [SE] Sweden 980018

[51] **LOC (7) Cl. 15-03**

[52] **U.S. Cl. D15/14**

[58] **Field of Search** D15/14-17, 23,
D15/10.2, 10.8; 56/12.7, 15.8, 254, 255,
294, 320.1, 320.2; 180/89.1, 89.12, 900;
D32/21

[56] **References Cited**

U.S. PATENT DOCUMENTS

D. 191,001 8/1961 Nance D15/17

D. 403,475 12/1998 Mehaffey et al. D32/21
4,133,404 1/1979 Griffin 56/10.2
4,964,265 10/1990 Young 56/10.8
5,323,593 6/1994 Cline et al. 56/10.2 A
5,572,856 11/1996 Ku 56/10.2 A

Primary Examiner—Sandra L. Morris
Attorney, Agent, or Firm—Pearne, Gordon, McCoy & Granger LLP

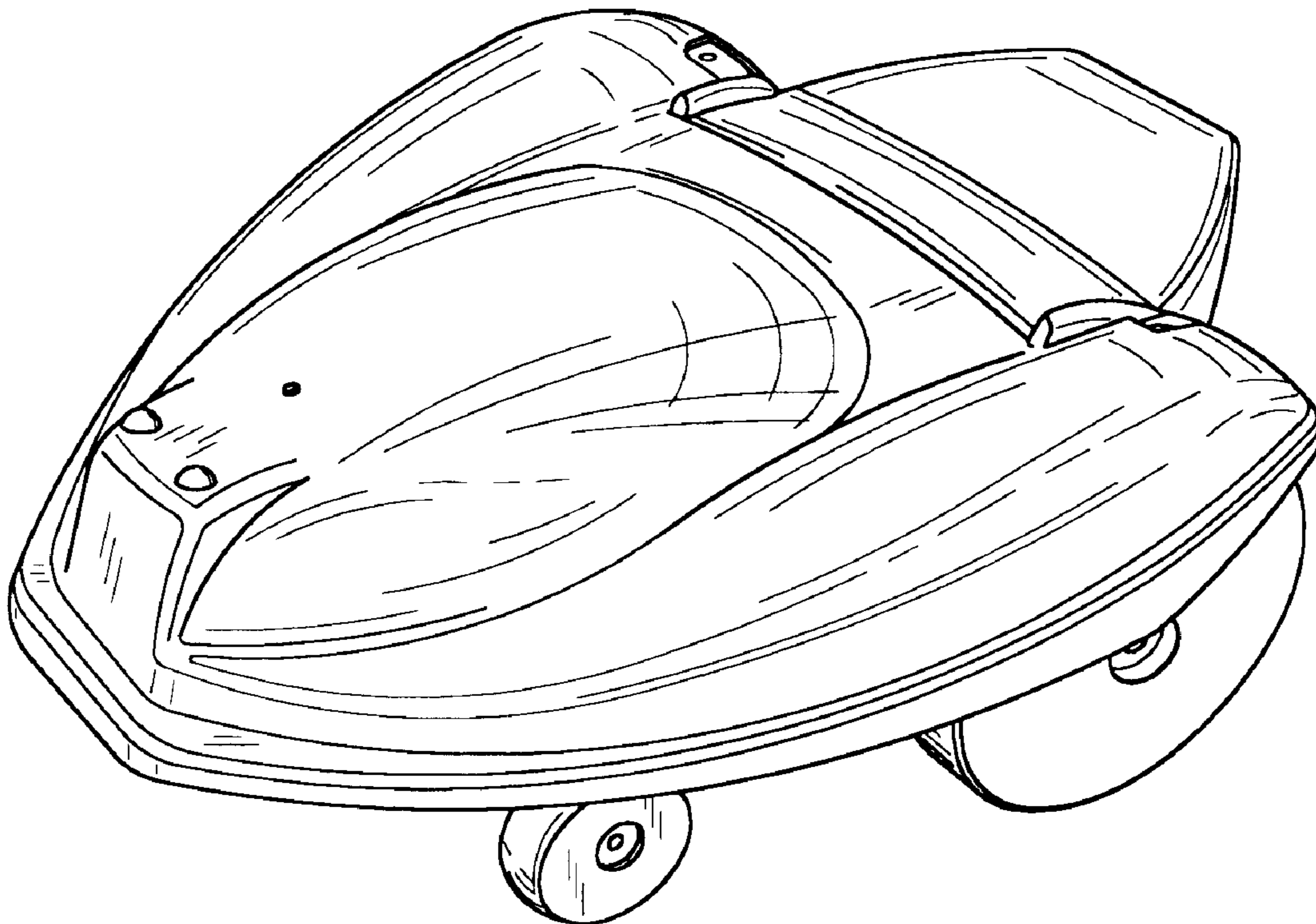
[57] **CLAIM**

The ornamental design for a lawn mower, as shown and described.

DESCRIPTION

FIG. 1 is a perspective view of a lawn mower, showing my new design;
FIG. 2 is a right side elevational view thereof;
FIG. 3 is a top plan view thereof;
FIG. 4 is a bottom plan view thereof;
FIG. 5 is a left side elevational view thereof;
FIG. 6 is a front perspective view thereof; and,
FIG. 7 is a rear perspective view thereof.

1 Claim, 2 Drawing Sheets



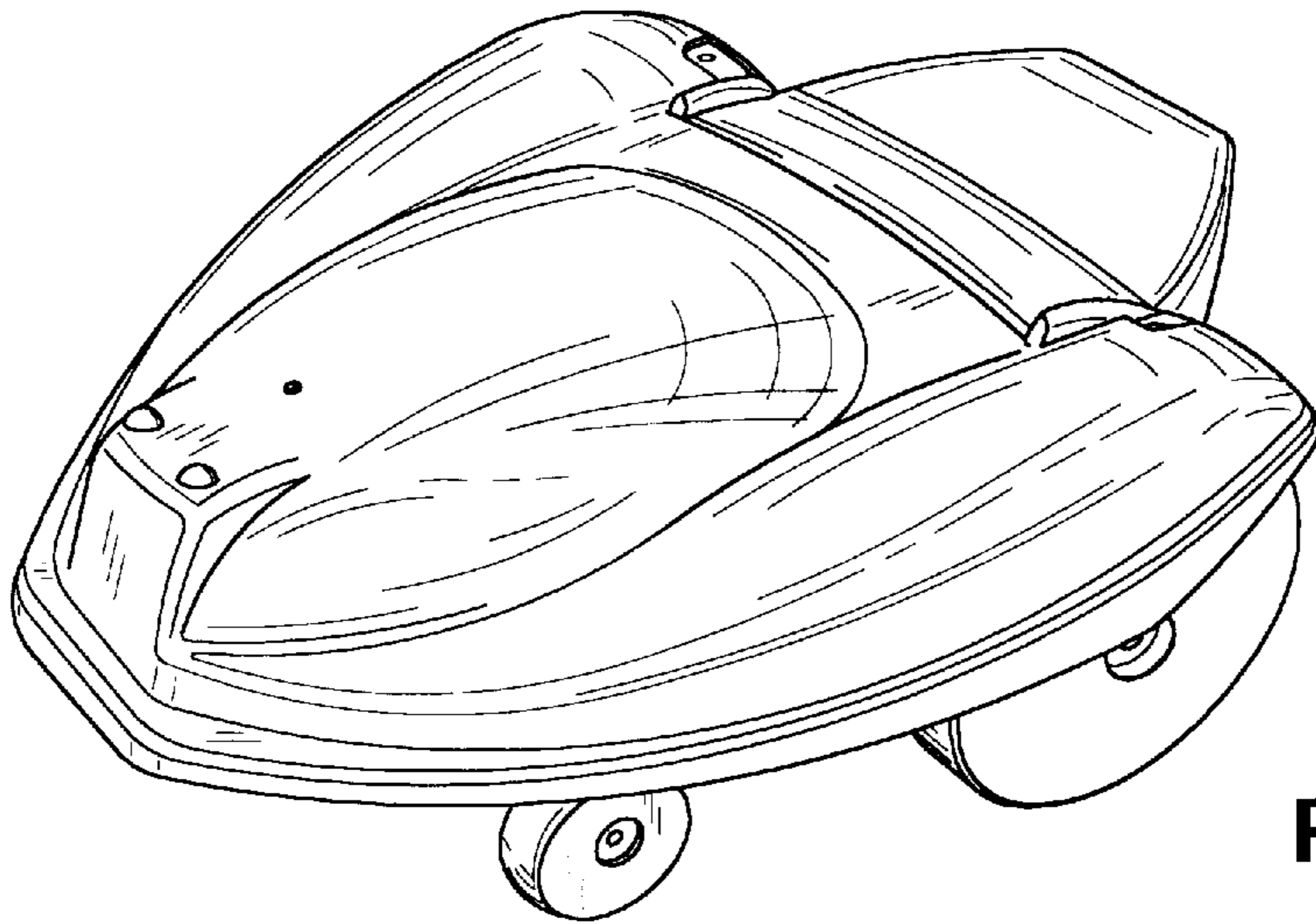


FIG. 1

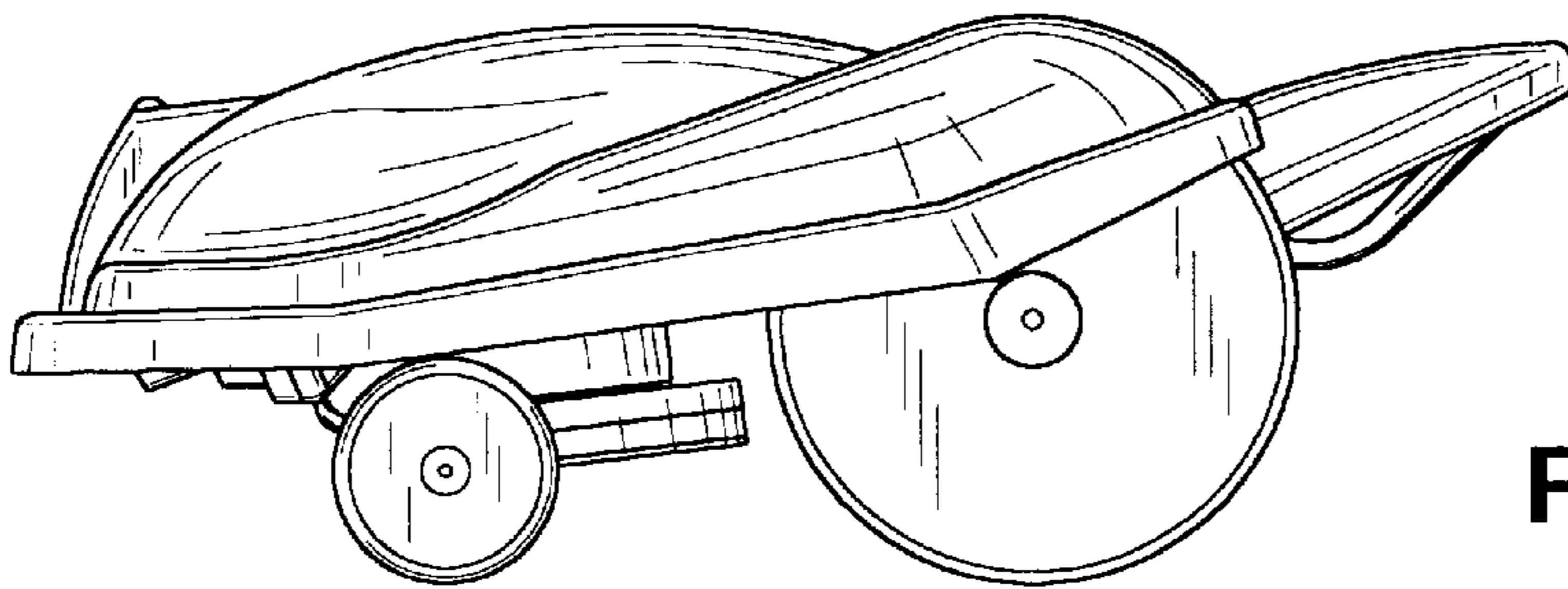


FIG. 2

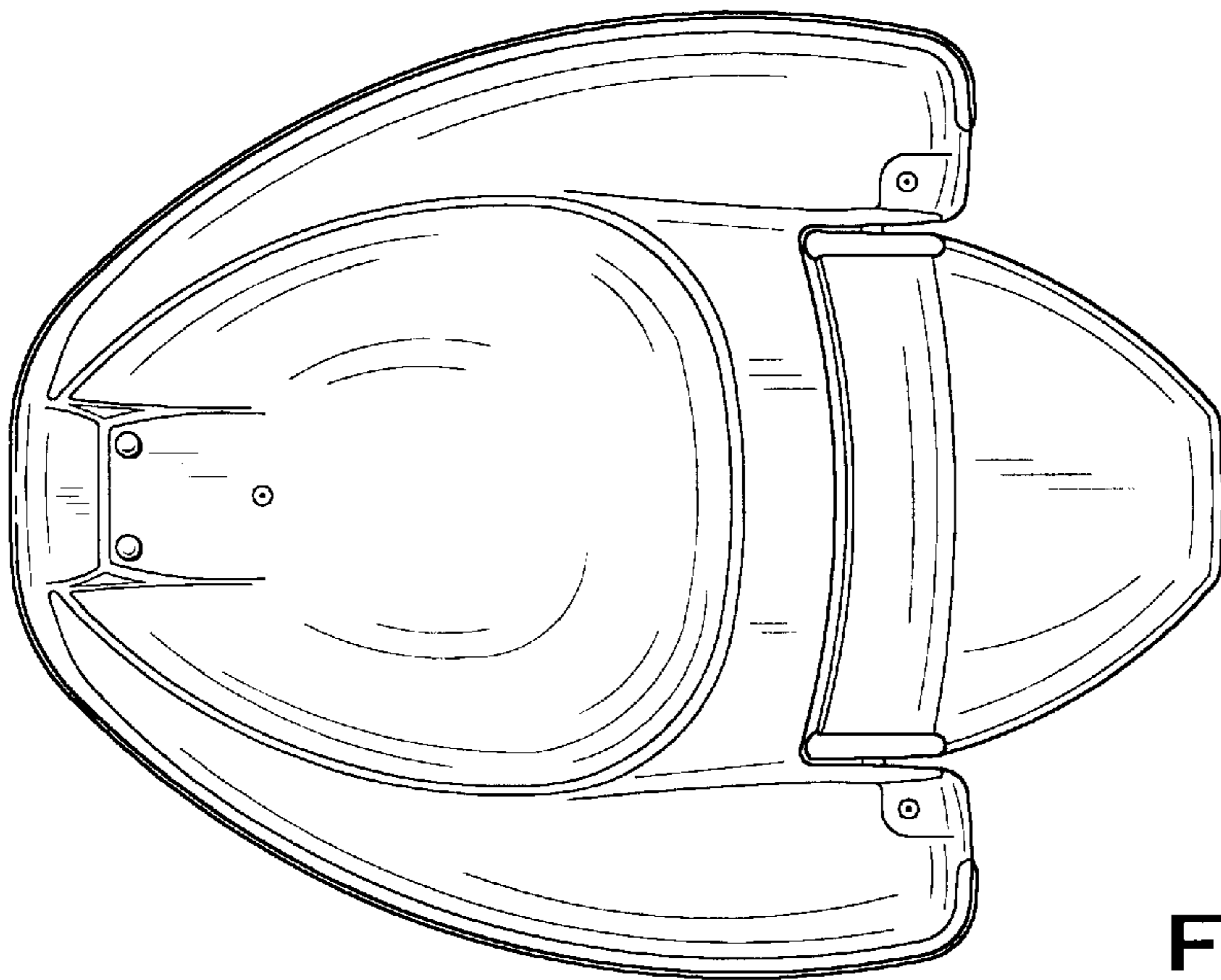


FIG. 3

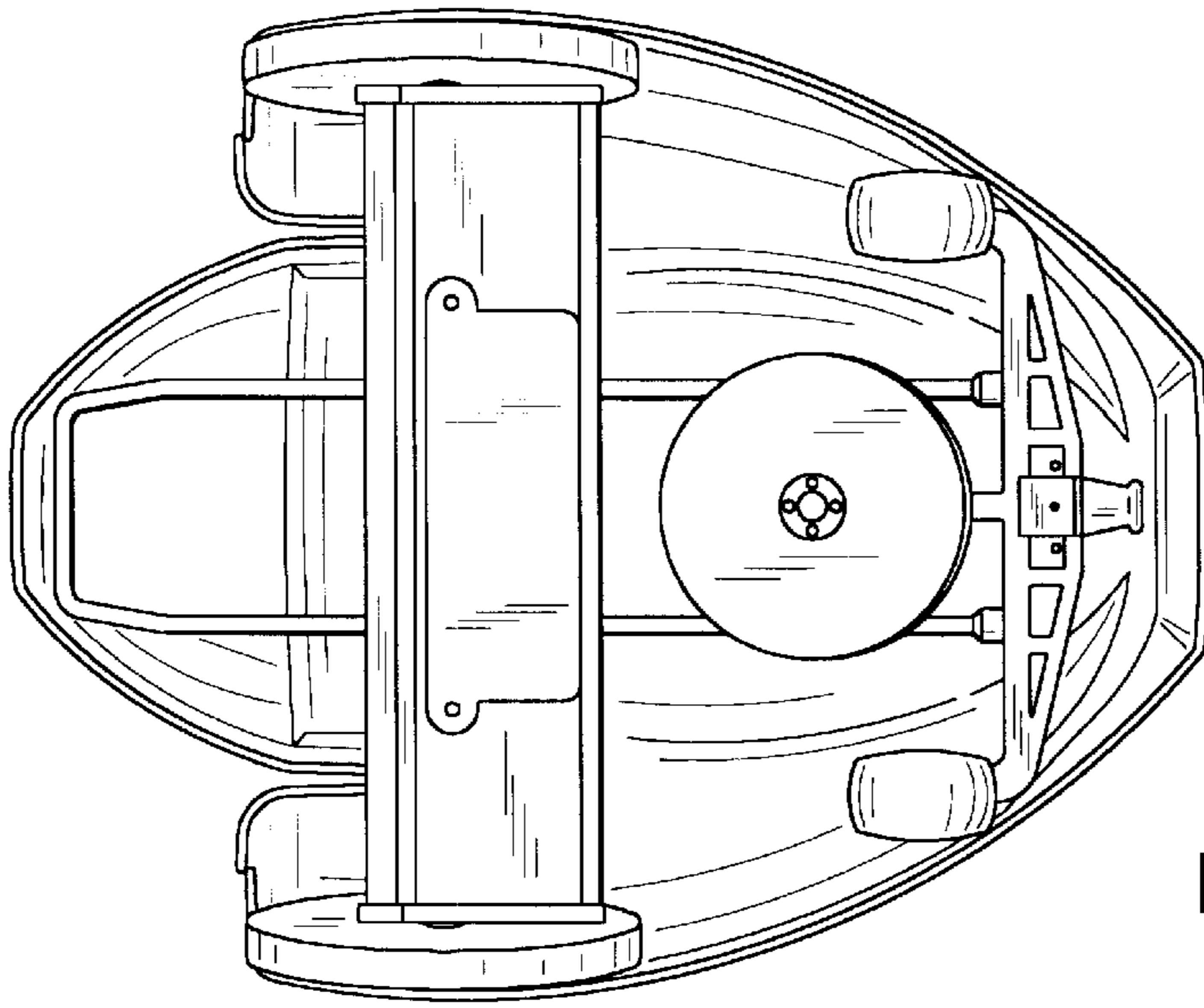


FIG. 4

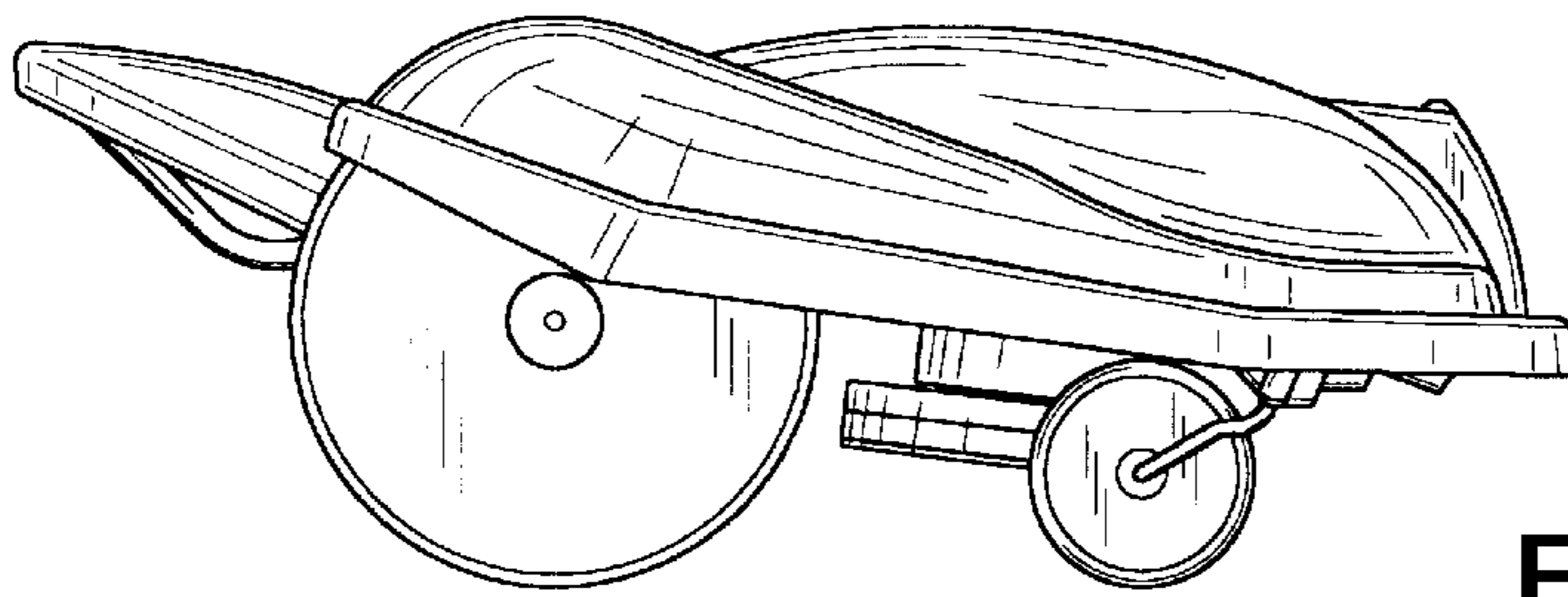


FIG. 5

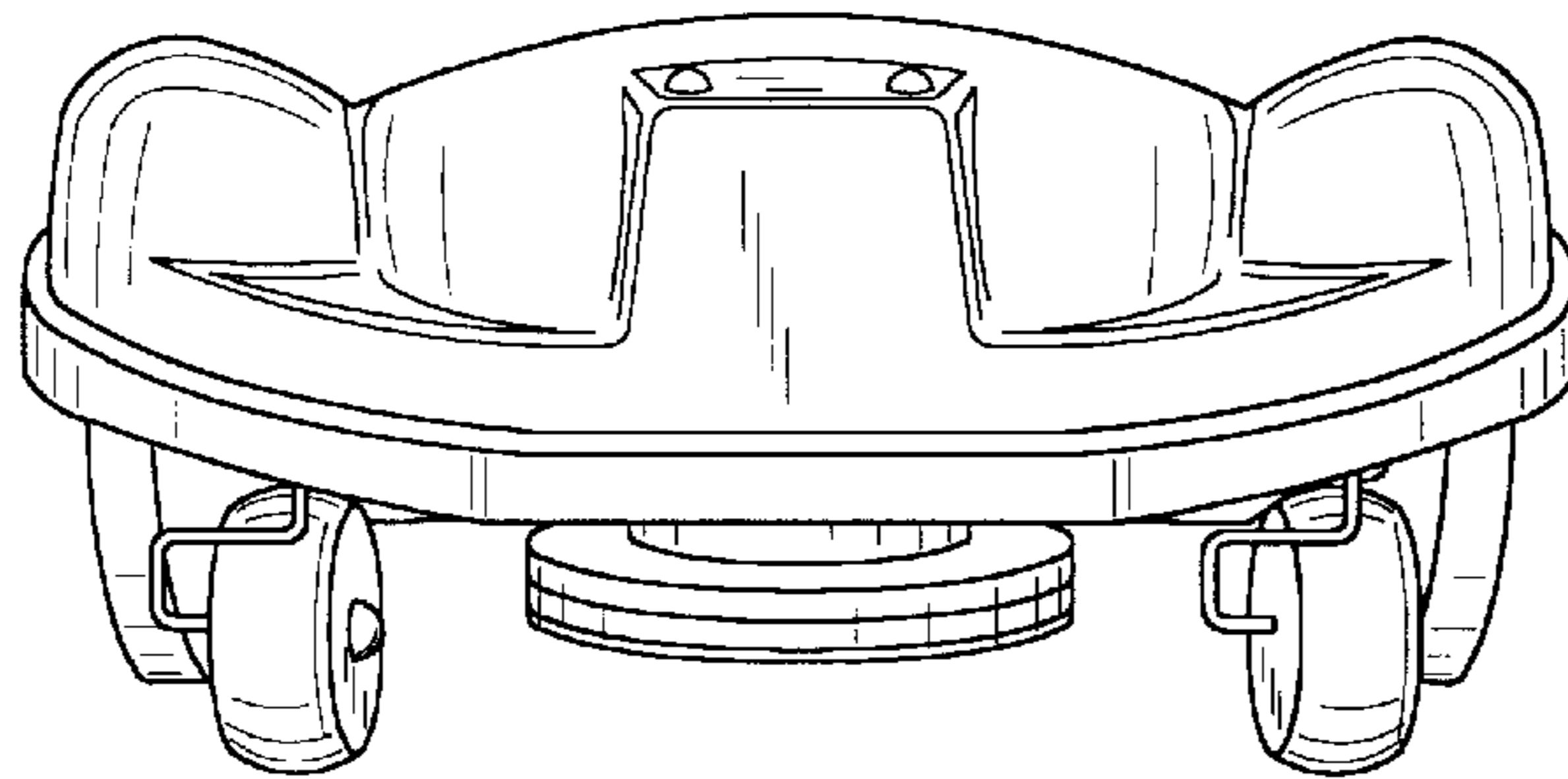


FIG. 6

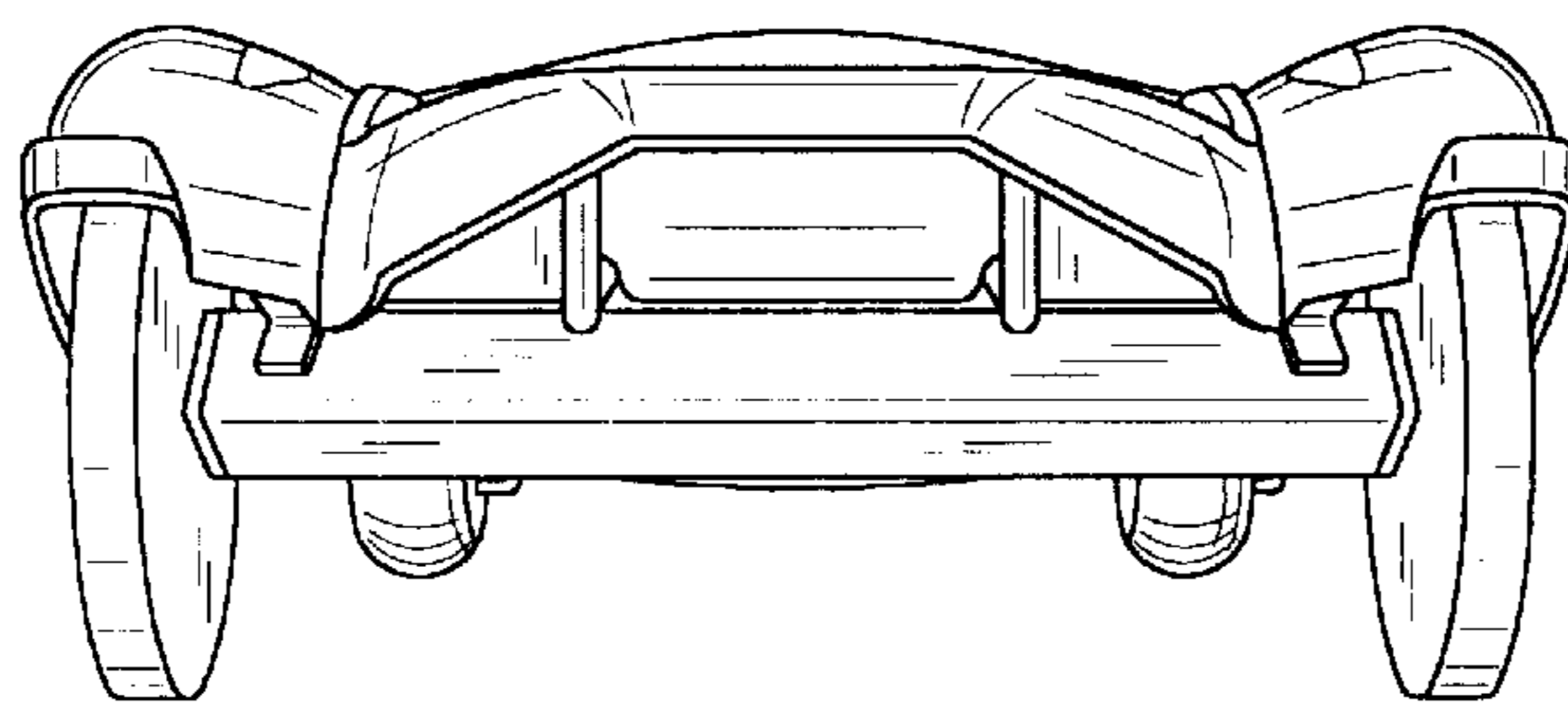


FIG. 7