



US00D420362S

United States Patent [19]

Pedraza et al.

[11] Patent Number: **Des. 420,362**

[45] Date of Patent: **** Feb. 8, 2000**

[54] **MODEM**

[75] Inventors: **Luis Pedraza**, West Roxbury; **Kevin Young**, Brighton, both of Mass.

[73] Assignee: **Roche Diagnostics Corporation**, Indianapolis, Ind.

[**] Term: **14 Years**

[21] Appl. No.: **29/098,494**

[22] Filed: **Dec. 31, 1998**

[51] **LOC (7) Cl.** **14-03**

[52] **U.S. Cl.** **D14/242; D14/107**

[58] **Field of Search** D14/125, 257, D14/140, 142, 107, 109, 102, 100, 240, 242, 155, 159, 141, 117.9; 379/419, 420, 428, 440, 406, 93.01, 93.28; 455/550-575, 90; D13/184, 147, 162, 164; 361/600, 622, 724-728; 375/220-225

[56] **References Cited**

U.S. PATENT DOCUMENTS

D. 299,451	1/1989	Ikeda	D14/107
D. 316,262	4/1991	Kikutani	D14/141
D. 320,599	10/1991	Ocepek	D14/141
D. 359,287	6/1995	Heberling et al.	D14/242
D. 363,722	10/1995	Aldridge et al.	D14/242

D. 367,650	3/1996	Solomita	D14/141
D. 380,501	7/1997	Osterhout et al.	D14/117.9
D. 384,672	10/1997	Heberling	D14/107 X
D. 393,463	4/1998	Beaumont et al.	D14/149
5,866,857	2/1999	Tseng	D14/242

Primary Examiner—Jeffrey Asch
Attorney, Agent, or Firm—Faegre & Benson LLP

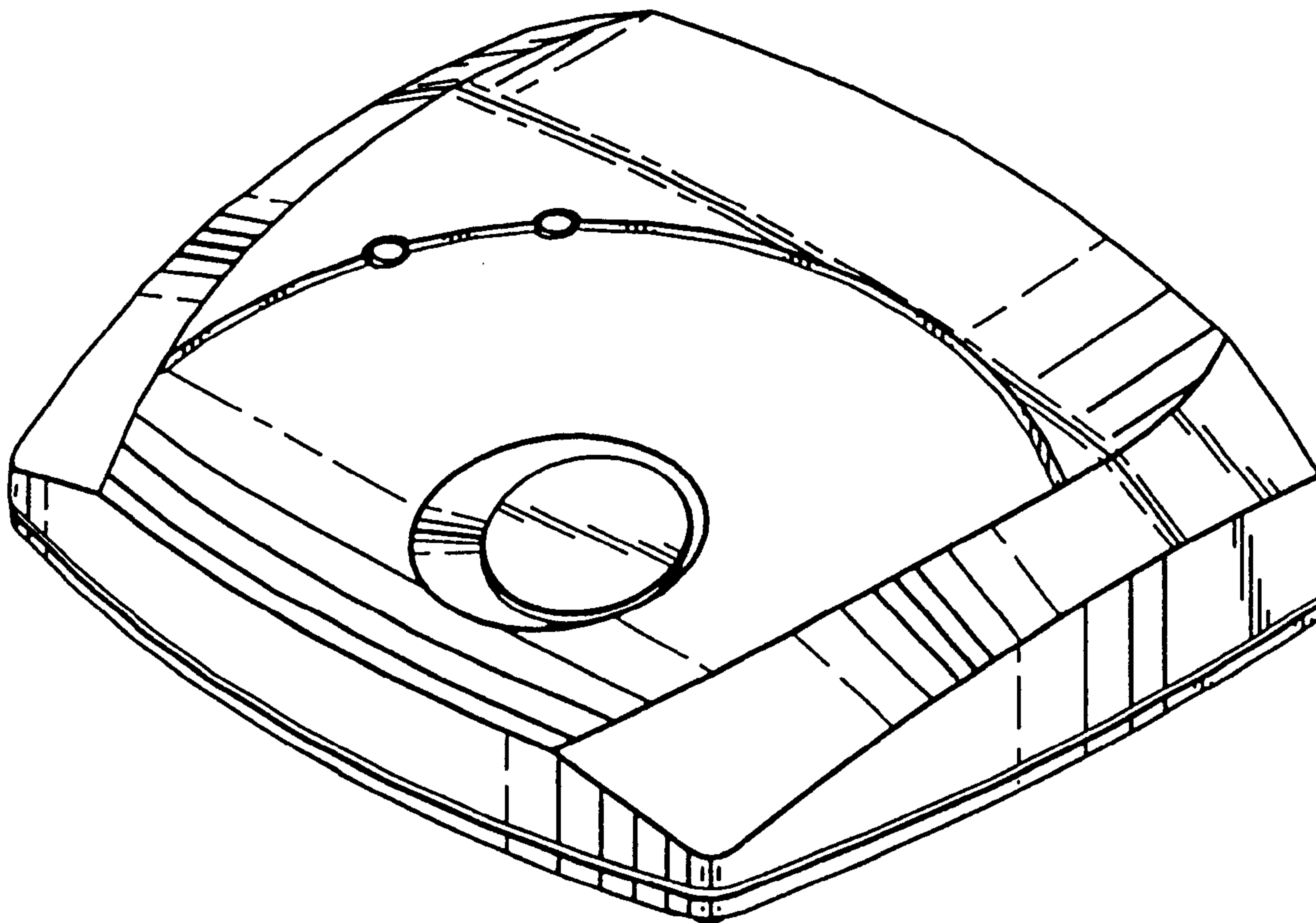
[57] **CLAIM**

The ornamental design for a modem, as shown and described.

DESCRIPTION

FIG. 1 is a view in perspective of a modem;
 FIG. 2 is a top plan view of the modem of FIG. 1;
 FIG. 3 is a front plan view of the modem of FIG. 1;
 FIG. 4 is a rear plan view of the modem of FIG. 1 with exemplary connectors shown in phantom;
 FIG. 5 is a bottom plan view of the modem of FIG. 1 with exemplary connectors shown in phantom;
 FIG. 6 is a side plan view of the modem of FIG. 1 with exemplary connectors shown in phantom; and,
 FIG. 7 is a side plan view in perspective of a modem of FIG. 1 with exemplary connectors shown in phantom.
 The showings of exemplary connectors by means of phantom lines in FIG. 4-7 are for illustrative purposes only and form no part of the claimed design.

1 Claim, 2 Drawing Sheets



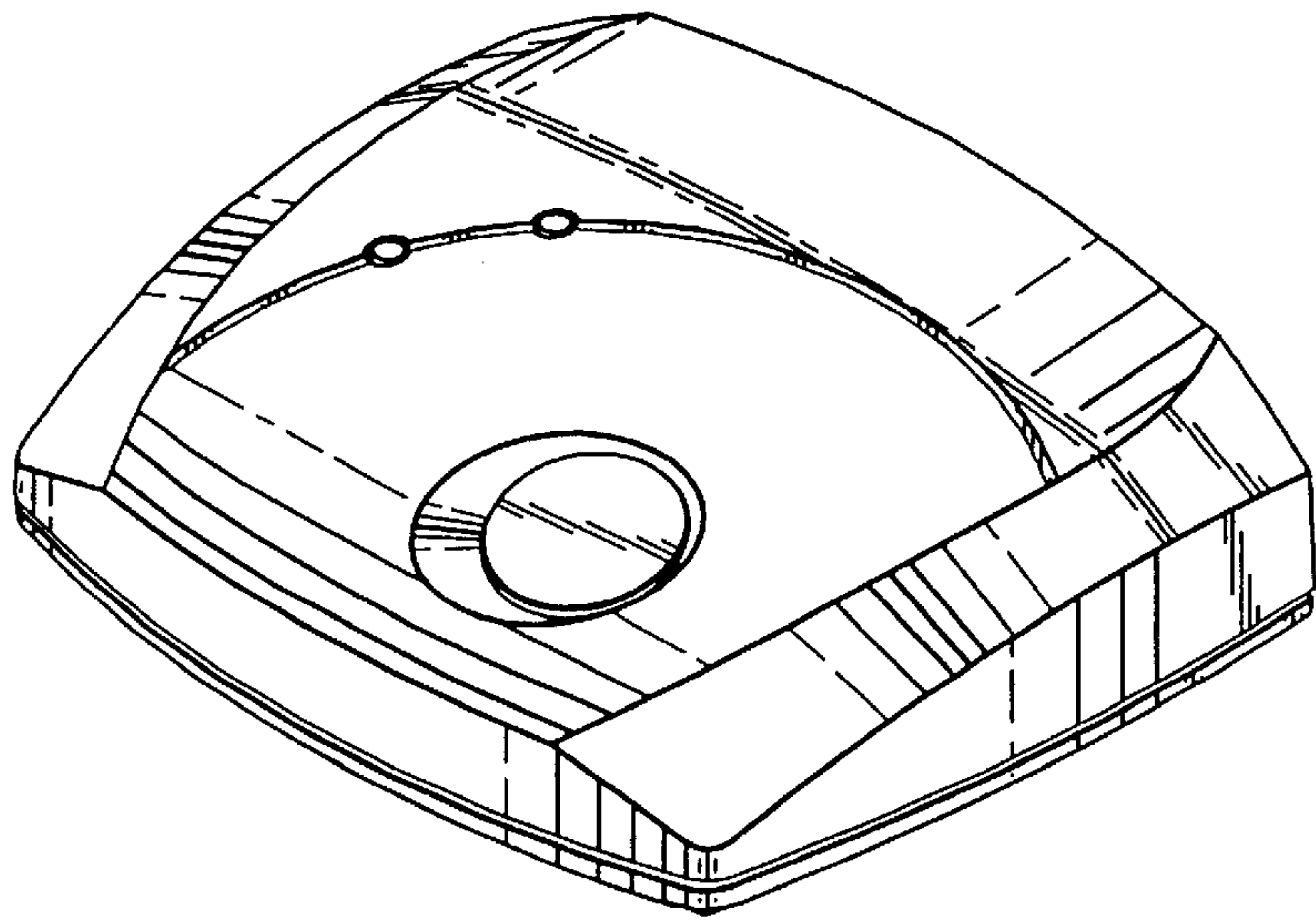


Fig. 1

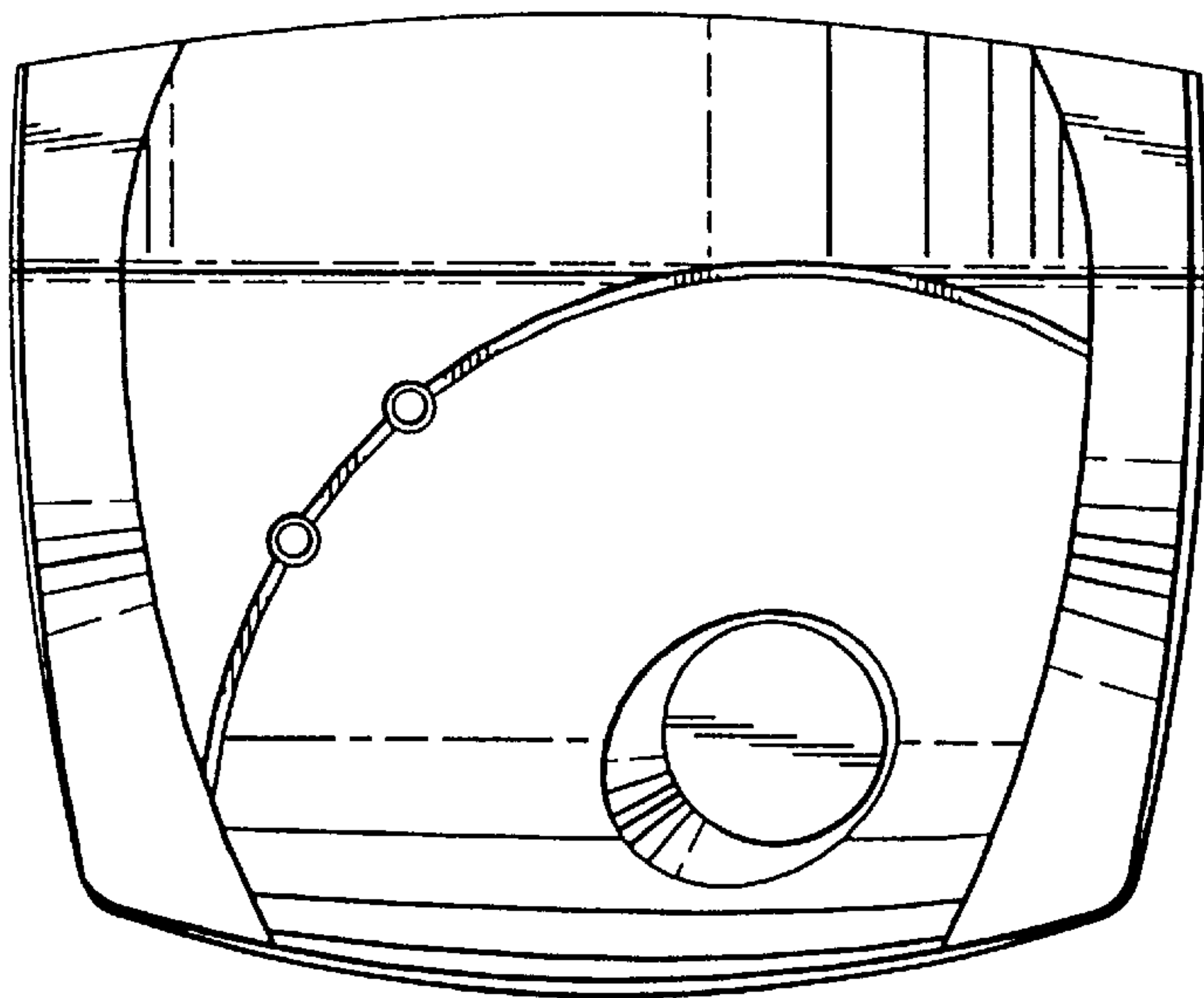


Fig. 2

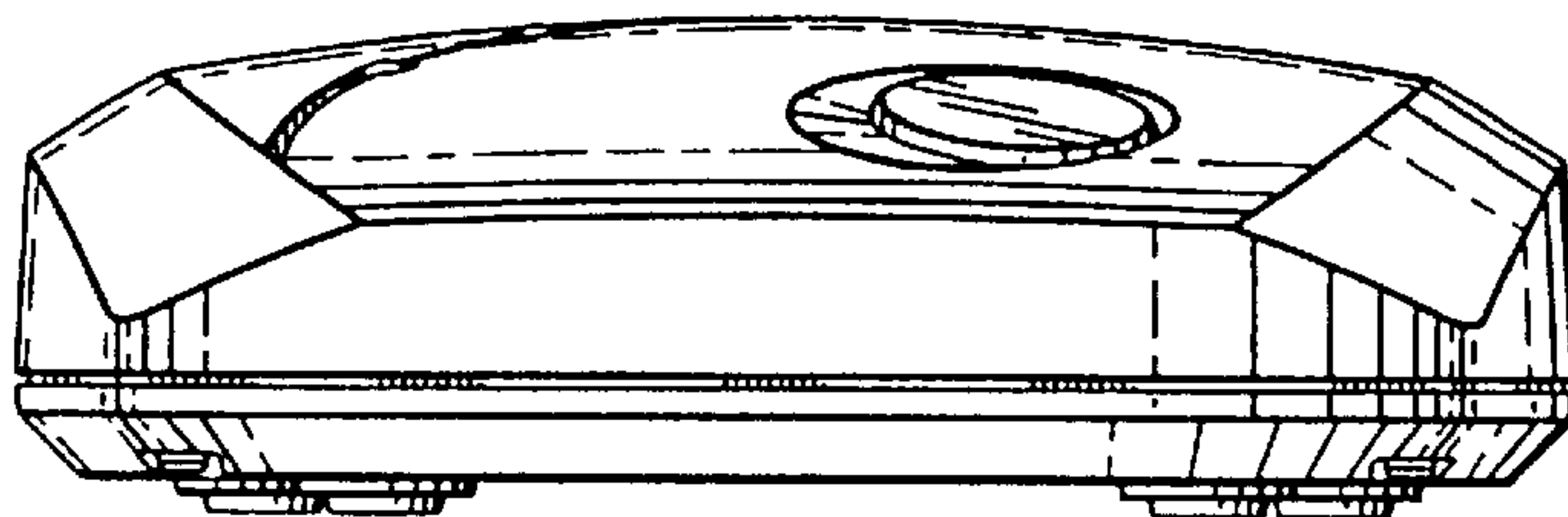


Fig. 3

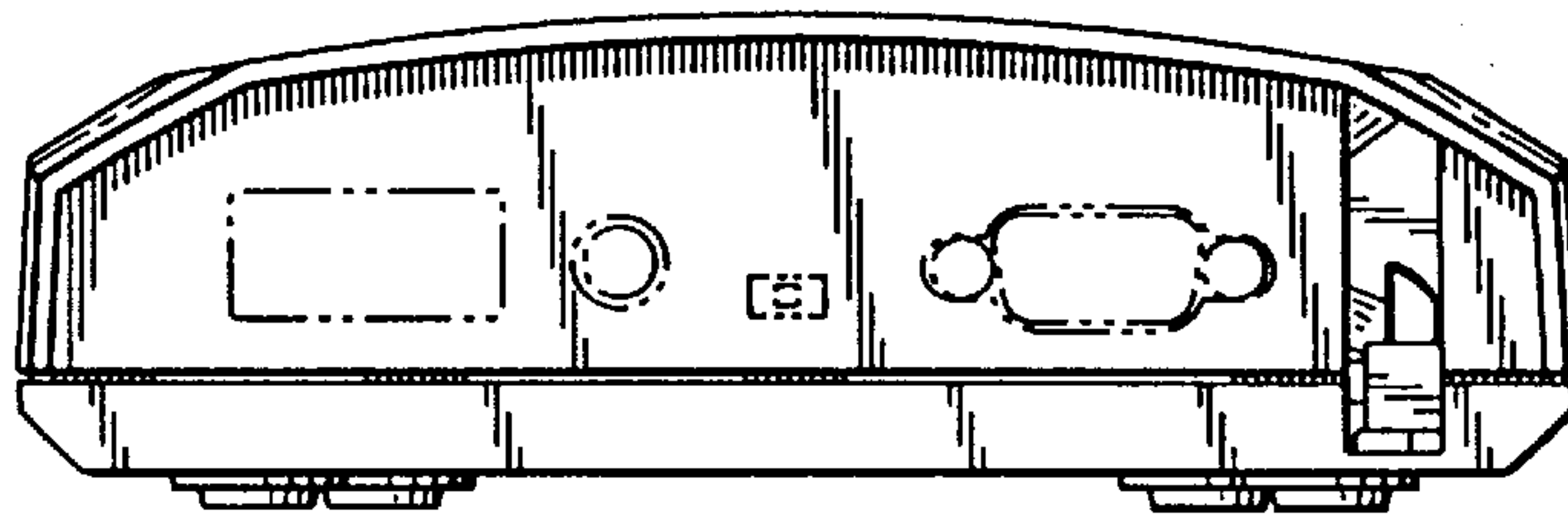


Fig. 4

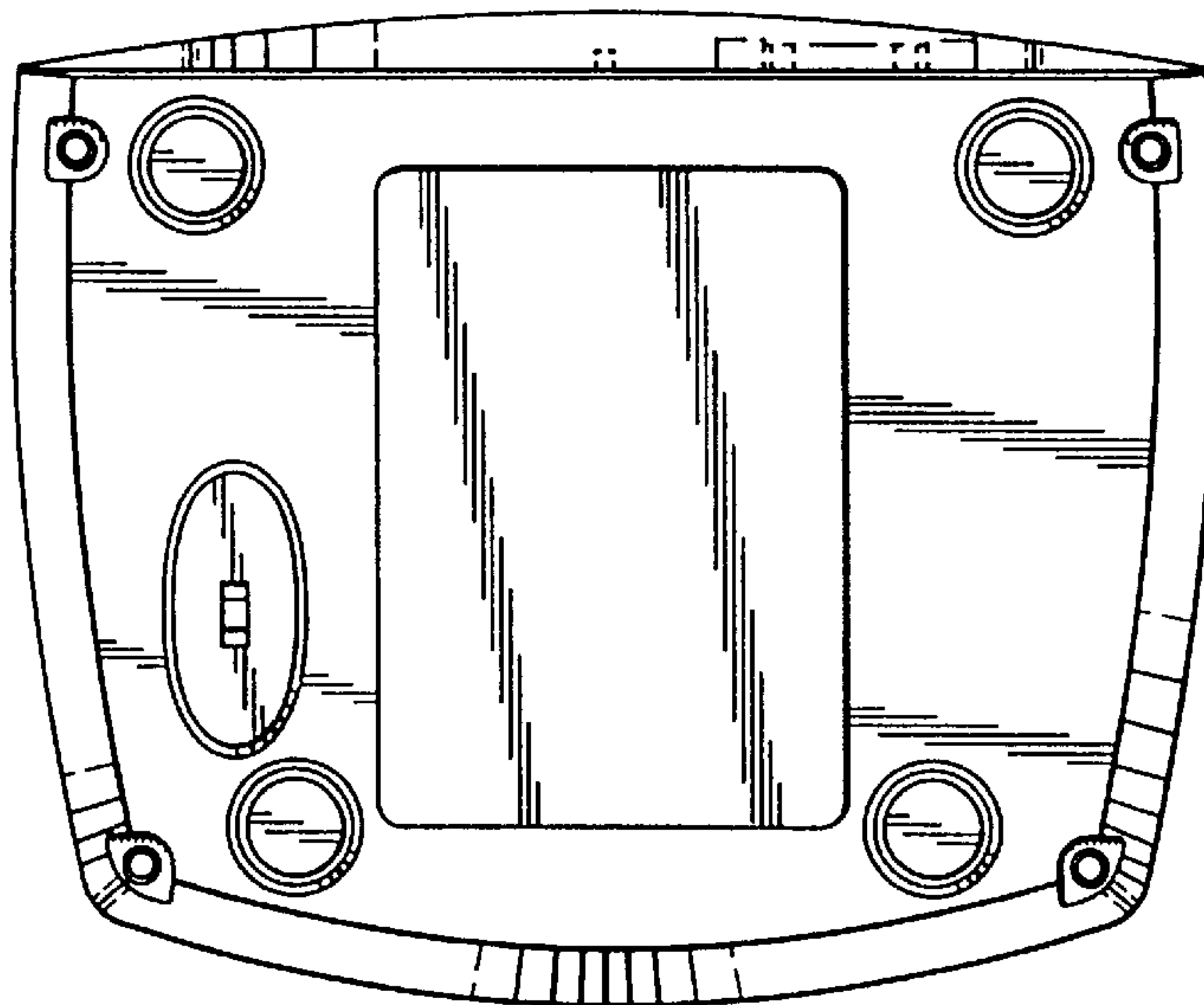


Fig. 5

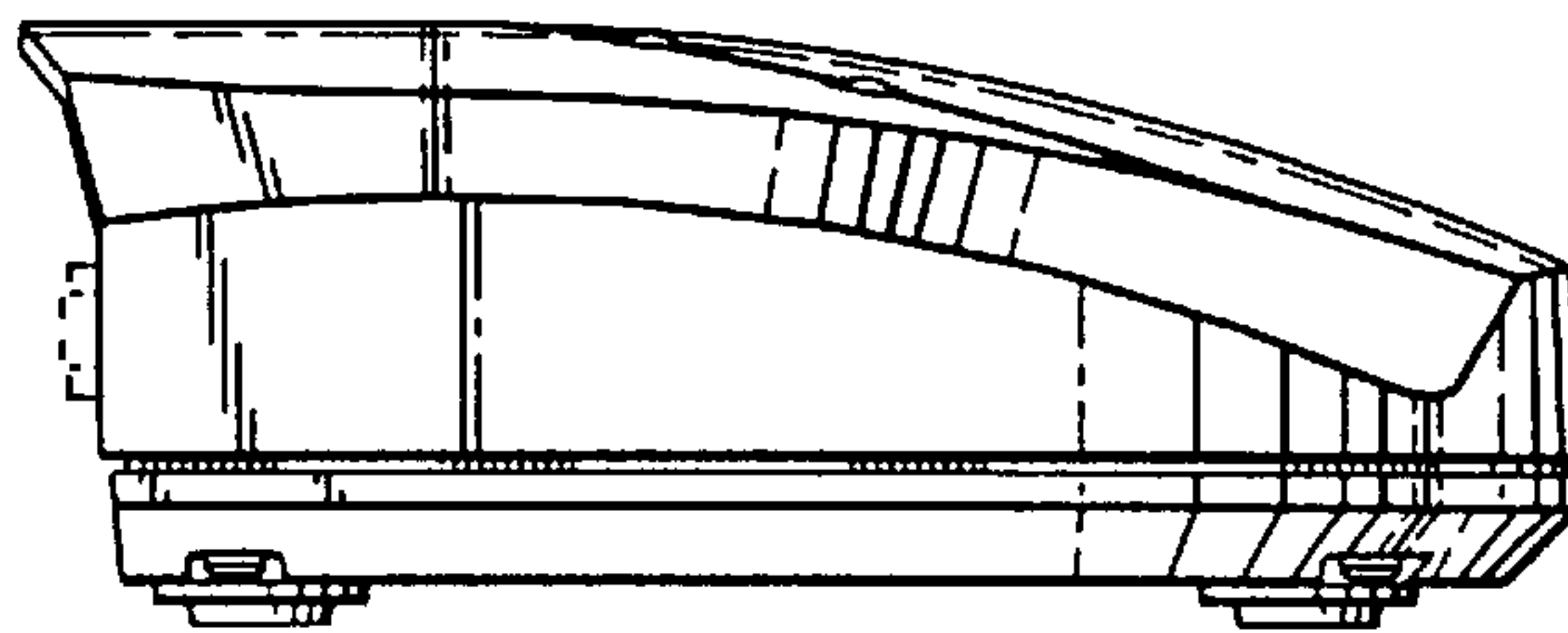


Fig. 6

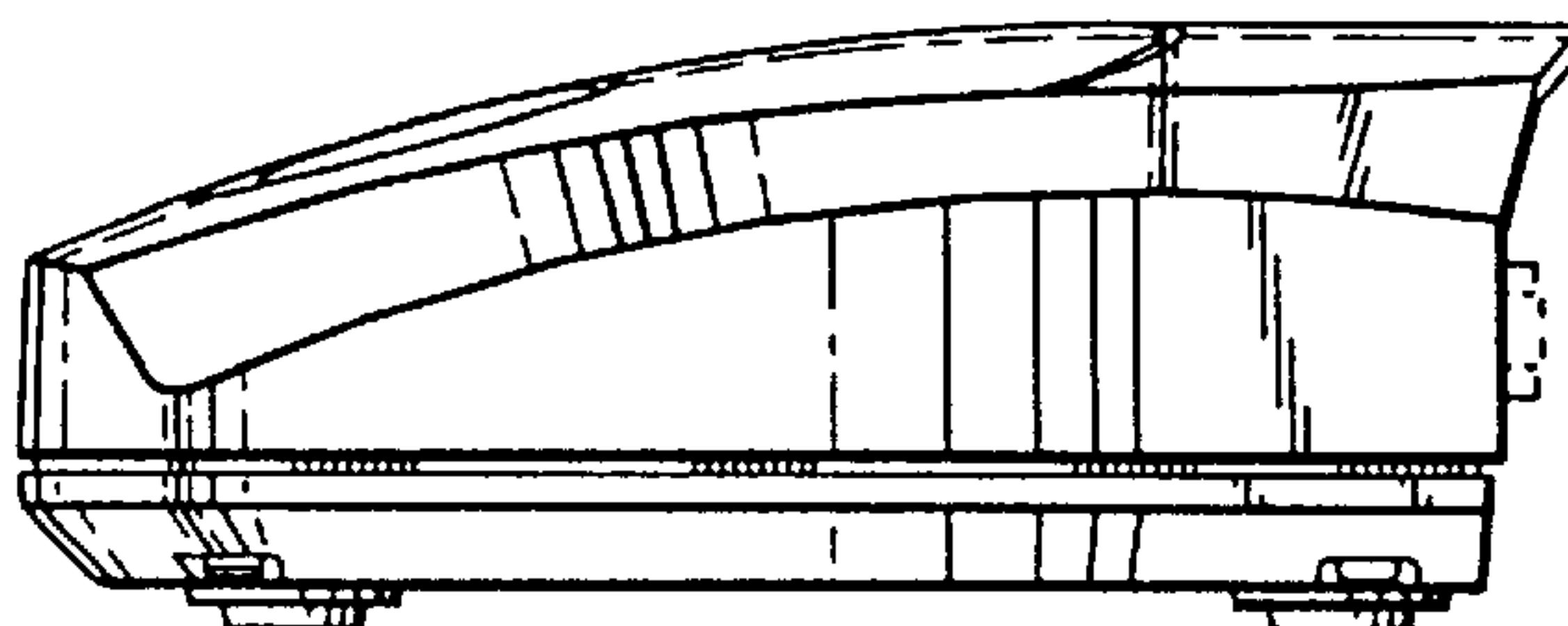


Fig. 7