



US00D420360S

United States Patent [19]

Amron

[11] Patent Number: **Des. 420,360**

[45] Date of Patent: **** Feb. 8, 2000**

[54] VIDEO VISOR

[75] Inventor: **Scott Amron**, Syosset, N.Y.

[73] Assignee: **VideoChip Technologies, Inc.**, Syosset, N.Y.

[**] Term: **14 Years**

[21] Appl. No.: **29/093,553**

[22] Filed: **Sep. 14, 1998**

[51] LOC (7) Cl. **14-03**

[52] U.S. Cl. **D14/239; D12/191**

[58] Field of Search D14/113, 138,
D14/114, 125, 126, 129, 239; D20/40;
D12/191, 417; 296/97.5; 455/569; 379/428;
224/312

[56] **References Cited**

U.S. PATENT DOCUMENTS

D. 252,023	6/1979	Adams	D12/191
D. 281,413	11/1985	Cody	D12/191
D. 294,495	3/1988	Nissley	D12/191
D. 309,595	7/1990	Jönsås	D12/191
D. 315,890	4/1991	Lewo	D12/191

D. 346,358	4/1994	Petersen	D12/191
D. 366,440	1/1996	Tong	D12/191
D. 381,002	7/1997	Nelson	D12/191
5,951,090	9/1999	Wilson et al.	296/97.5

Primary Examiner—Paula A. Mortimer
Attorney, Agent, or Firm—Eliot Gerber, Esq.

[57] **CLAIM**

The ornamental design for a video visor, as shown and described.

DESCRIPTION

FIG. 1. is a perspective view of the video visor of the present invention;
FIG. 2. is a top view;
FIG. 3. is a left side plan view;
FIG. 4. is a front view;
FIG. 5. is right side view;
FIG. 6. is a bottom plan view;
FIG. 7. is a rear view; and,
FIG. 8. is a perspective view.

The broken line showing of support assembly in FIG. 4 and the lid in FIG. 8 is for illustrative purposes only and forms no part of the claimed design.

1 Claim, 2 Drawing Sheets

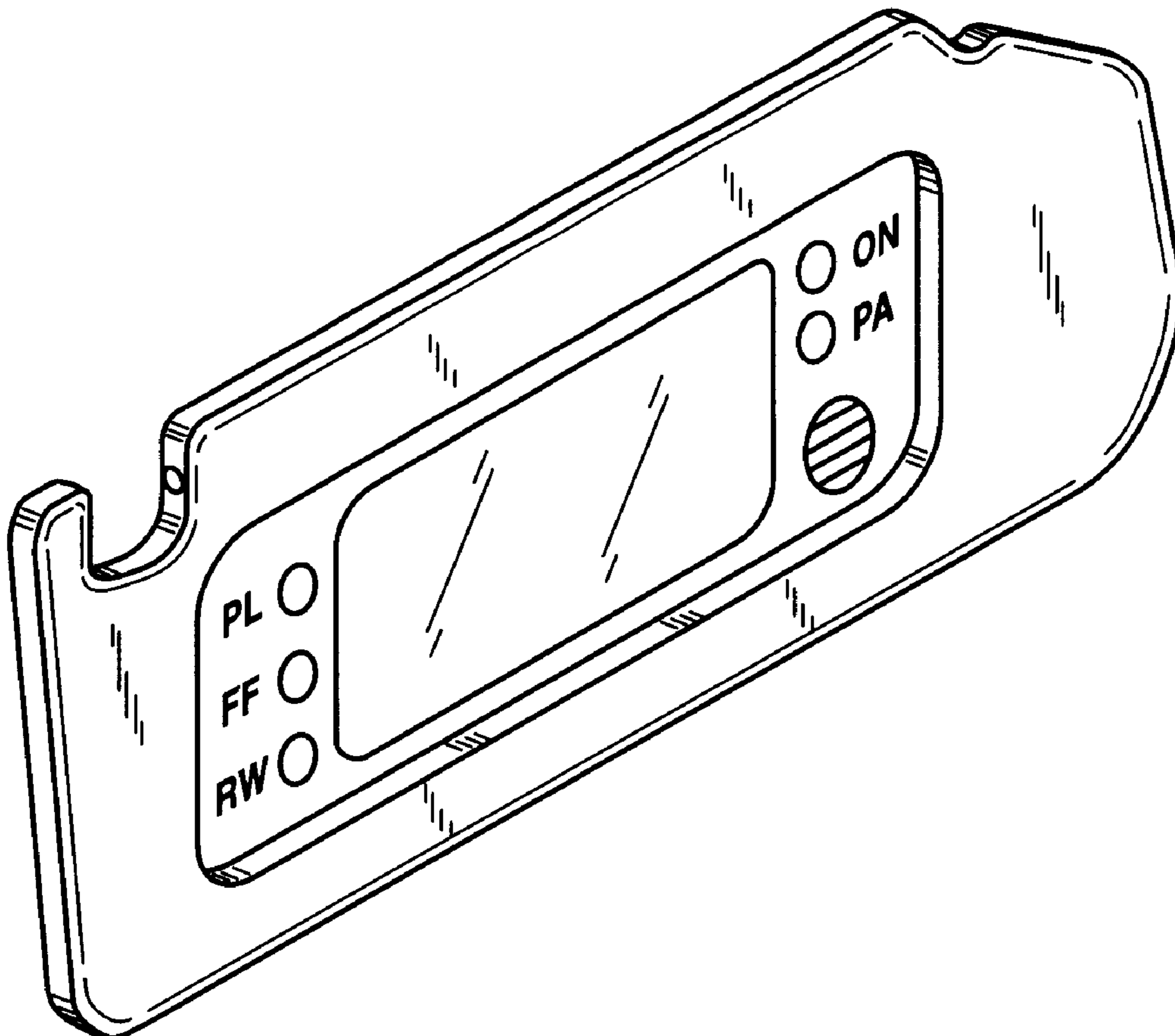


FIG. 1

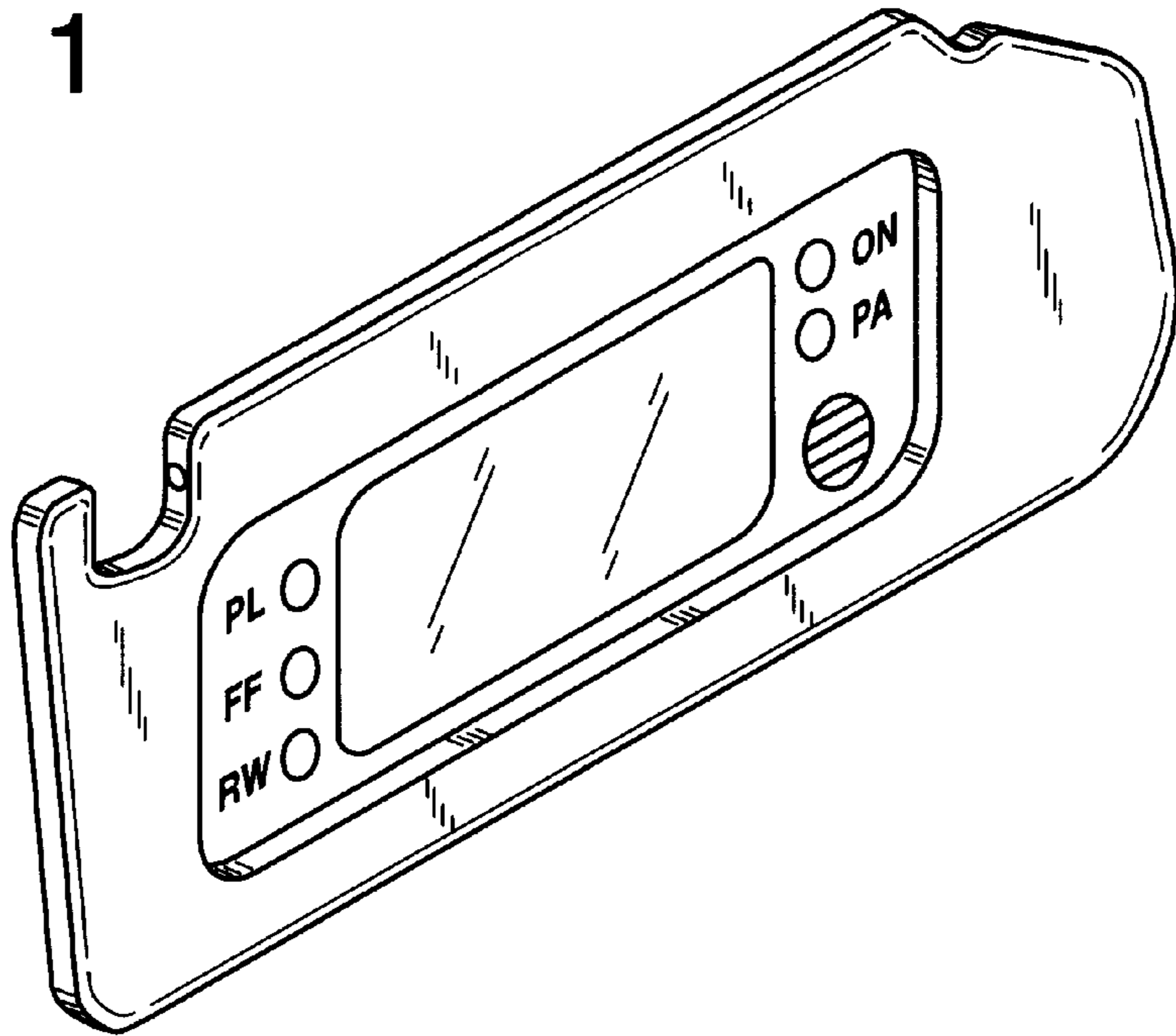


FIG. 8

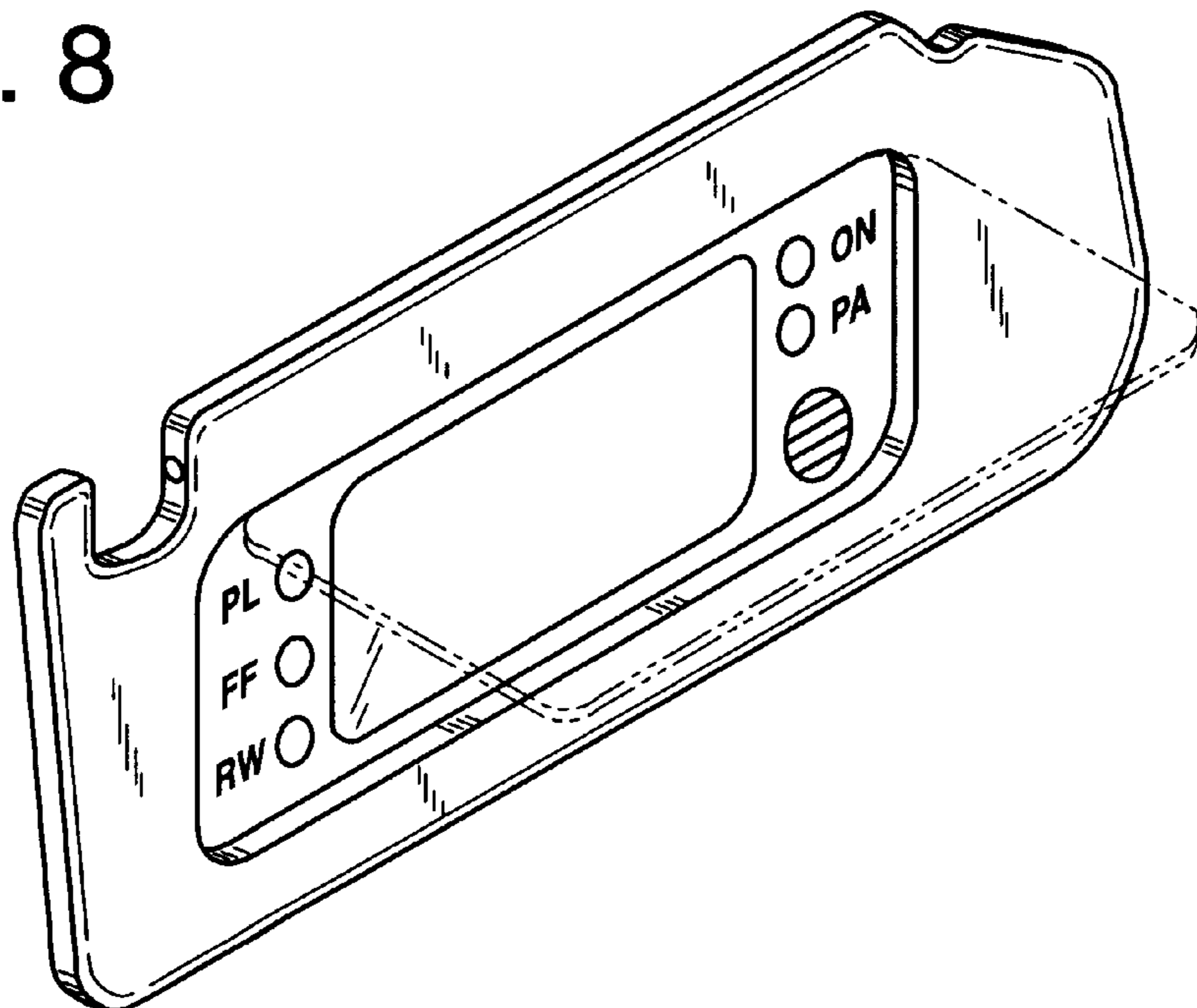


FIG. 2

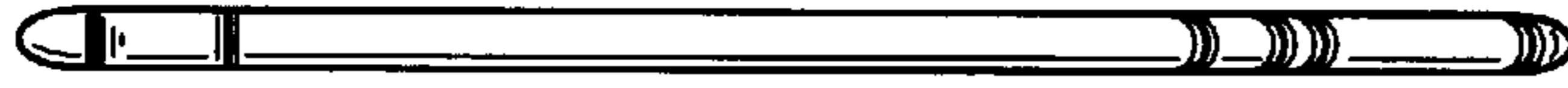


FIG. 3



FIG. 4

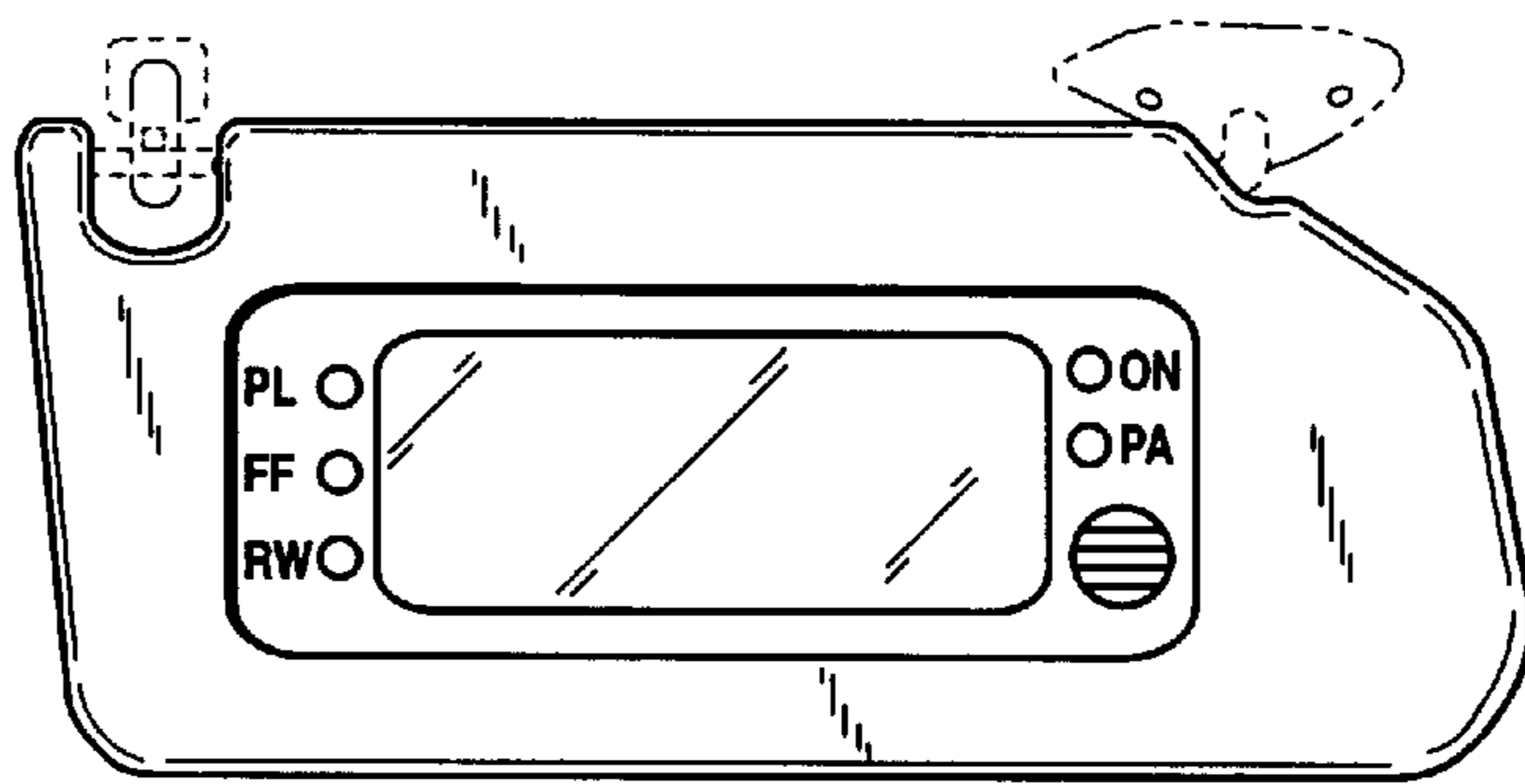


FIG. 5



FIG. 6

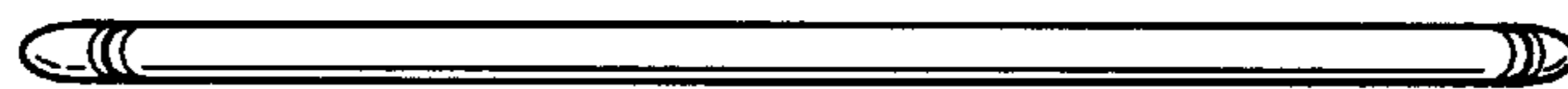


FIG. 7

