



US00D420356S

**United States Patent** [19]  
**Suzuki**

[11] **Patent Number: Des. 420,356**

[45] **Date of Patent: \*\* Feb. 8, 2000**

[54] **HEADPHONE**

[75] Inventor: **Satoshi Suzuki**, Tokyo, Japan

[73] Assignee: **Sony Corporation**, Tokyo, Japan

[\*\*] Term: **14 Years**

[21] Appl. No.: **29/098,523**

[22] Filed: **Dec. 30, 1998**

[51] **LOC (7) Cl.** ..... **14-01**

[52] **U.S. Cl.** ..... **D14/205**

[58] **Field of Search** ..... D14/192, 205,  
D14/206, 223; 181/129, 130; 379/430,  
431; 381/309, 370

[56] **References Cited**

**U.S. PATENT DOCUMENTS**

D. 342,946	1/1994	Hyogo	.....	D14/205	X
D. 353,818	12/1994	Nakamura	.....	D14/205	
D. 358,390	5/1995	Hayashi	.....	D14/205	
D. 391,573	3/1998	Nakamura	.....	D14/205	

**OTHER PUBLICATIONS**

Catalog "83", pp. 222, Sony (Jul. 1996).  
Catalog "84", pp. 241 & 245, Sony (Nov. 1996).  
Catalog "87", pp. 257, Sony (Nov. 1997).

*Primary Examiner*—Nanda Bondade  
*Attorney, Agent, or Firm*—Foley & Lardner

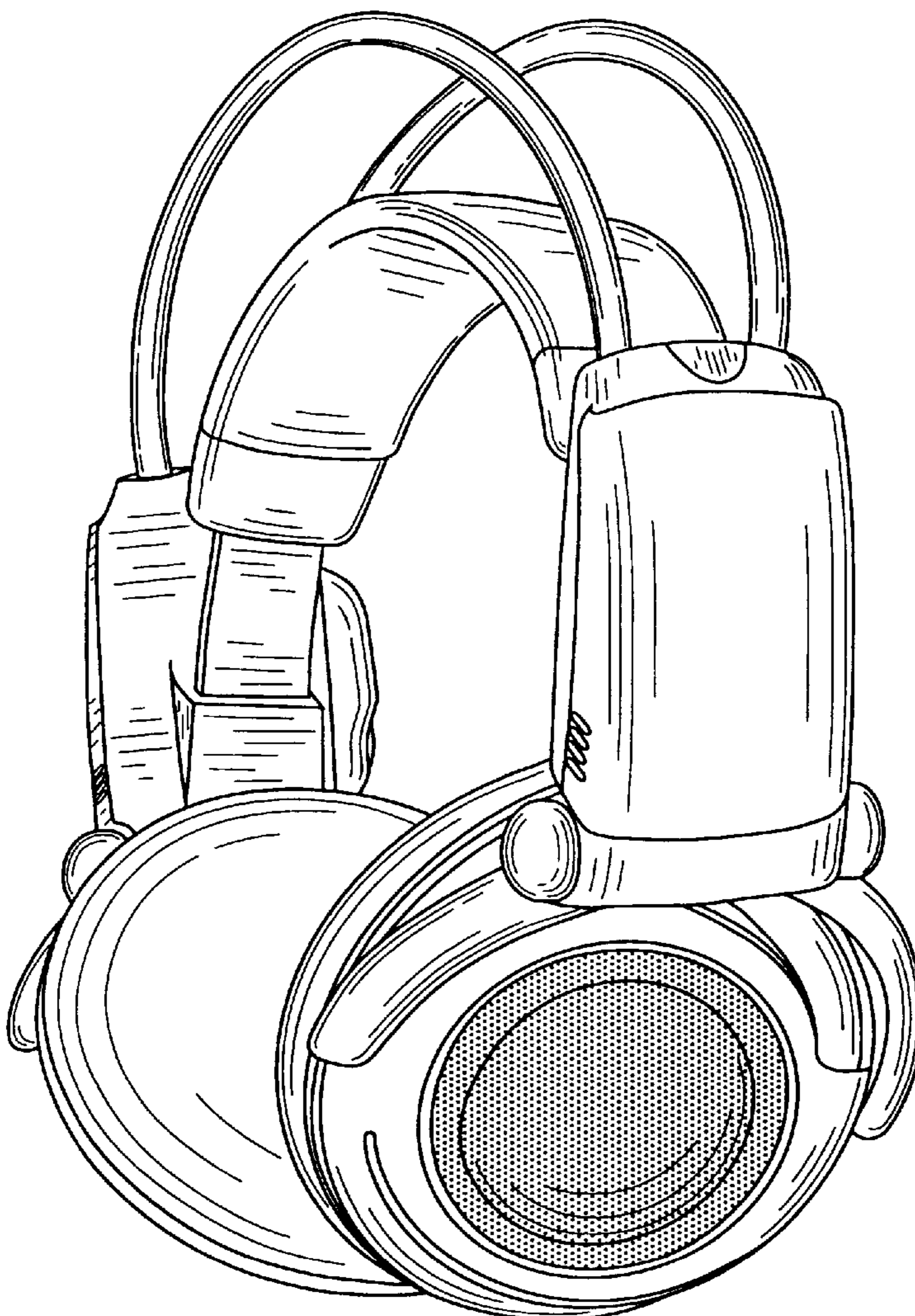
[57] **CLAIM**

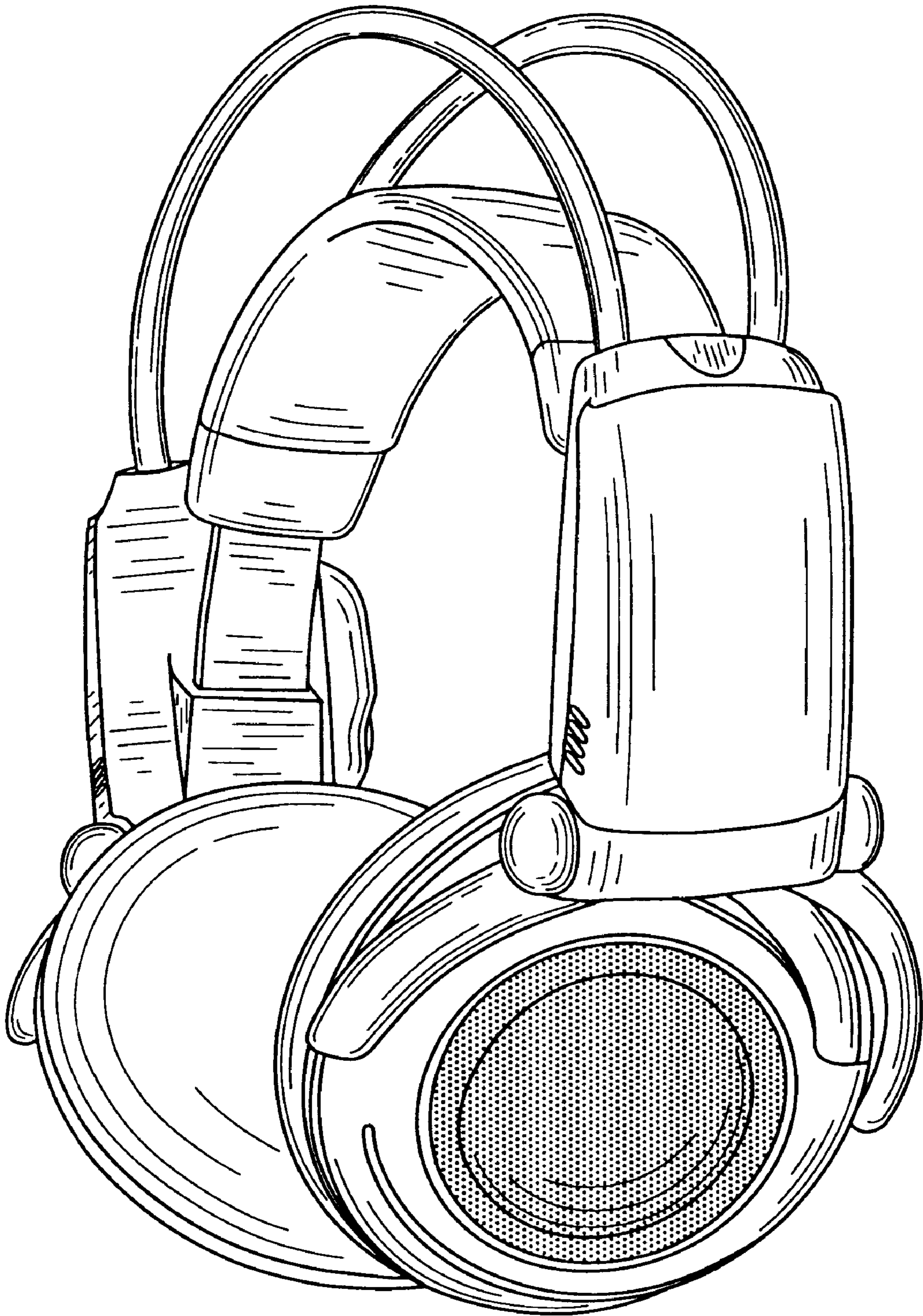
The ornamental design for a headphone, as shown and described.

**DESCRIPTION**

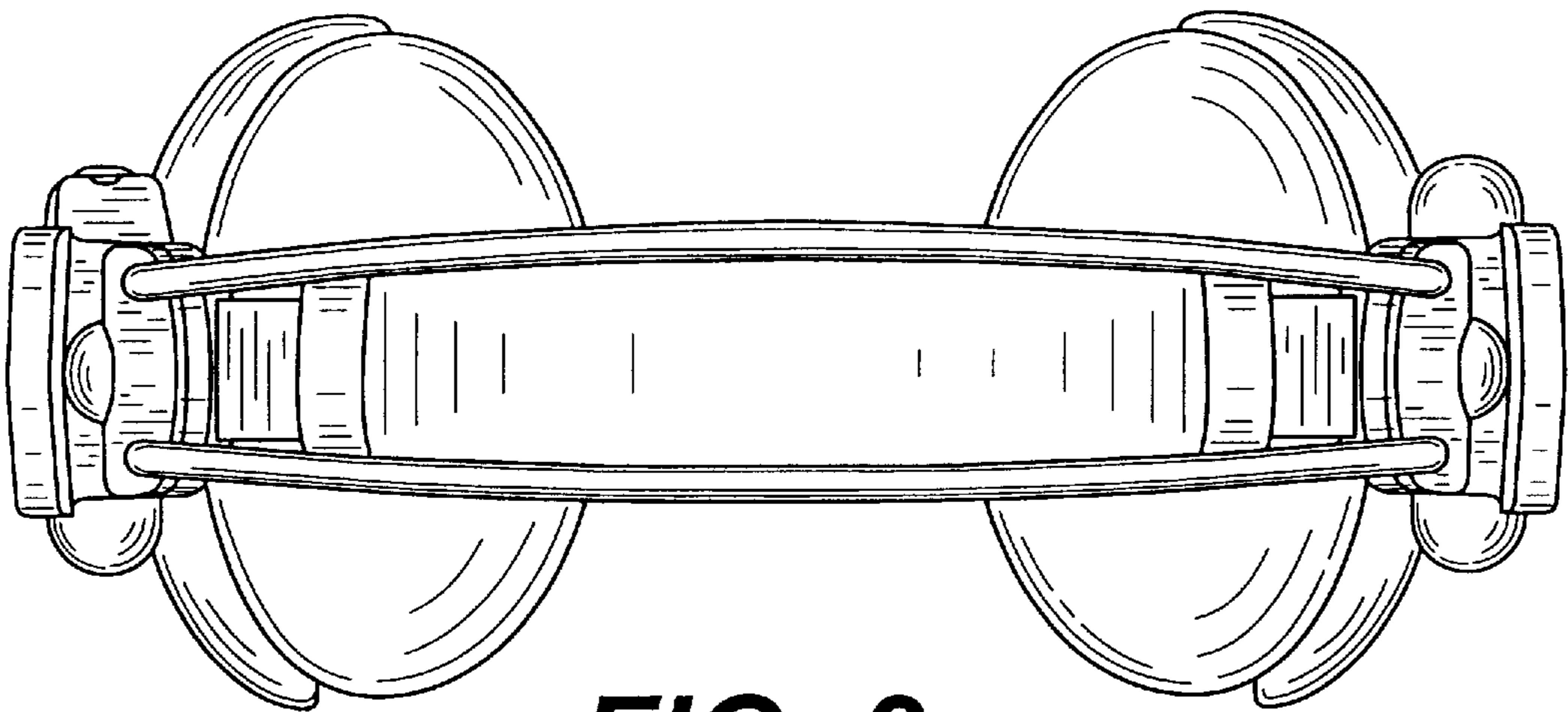
FIG. 1 is a perspective view of a headphont showing my new design;  
FIG. 2 is a top plan view thereof;  
FIG. 3 is a front elevational view thereof;  
FIG. 4 is a rear elevational view thereof.  
FIG. 5 is a bottom plan view thereof;  
FIG. 6 is a left side elevational view thereof; and,  
FIG. 7 is a right side elevational view thereof.

**1 Claim, 4 Drawing Sheets**





**FIG. 1**



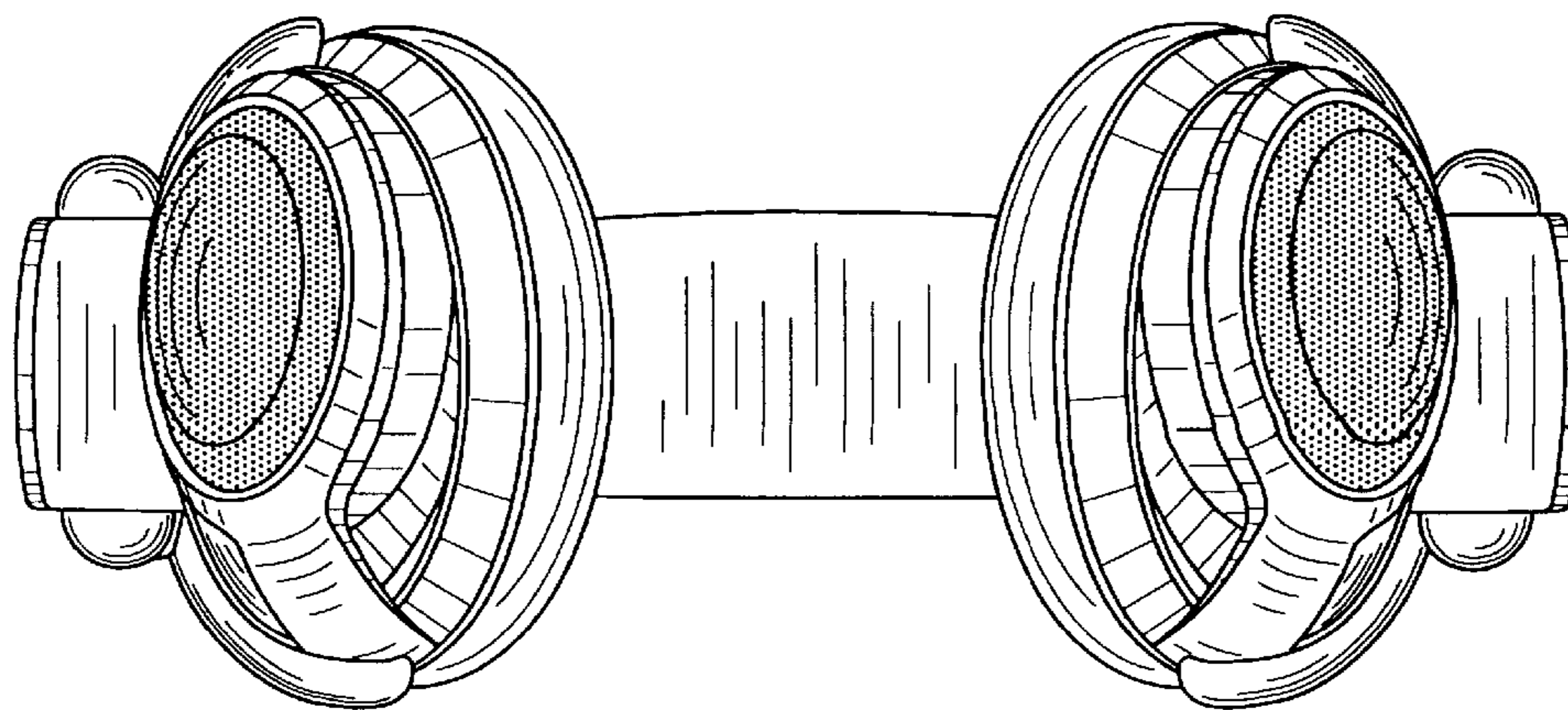
**FIG. 2**



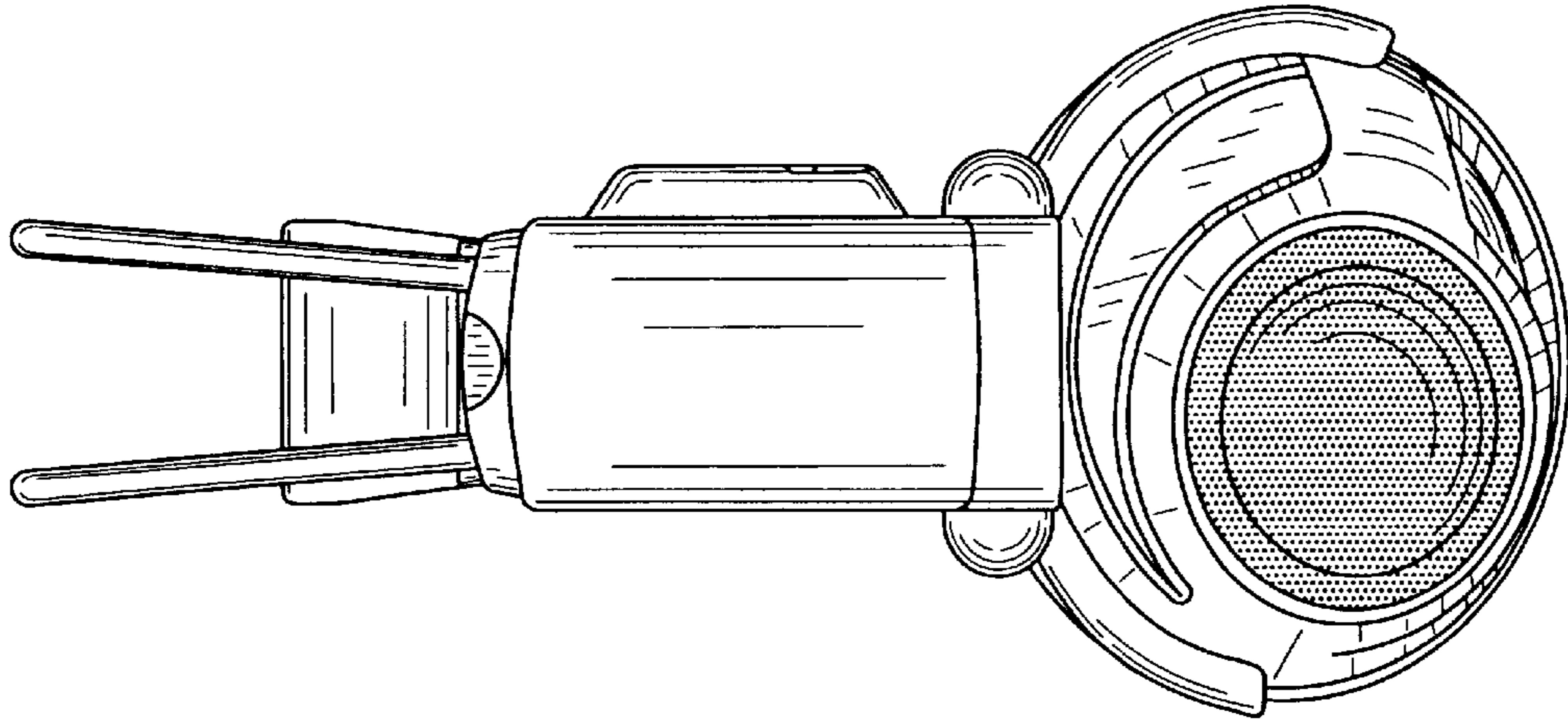
**FIG. 3**



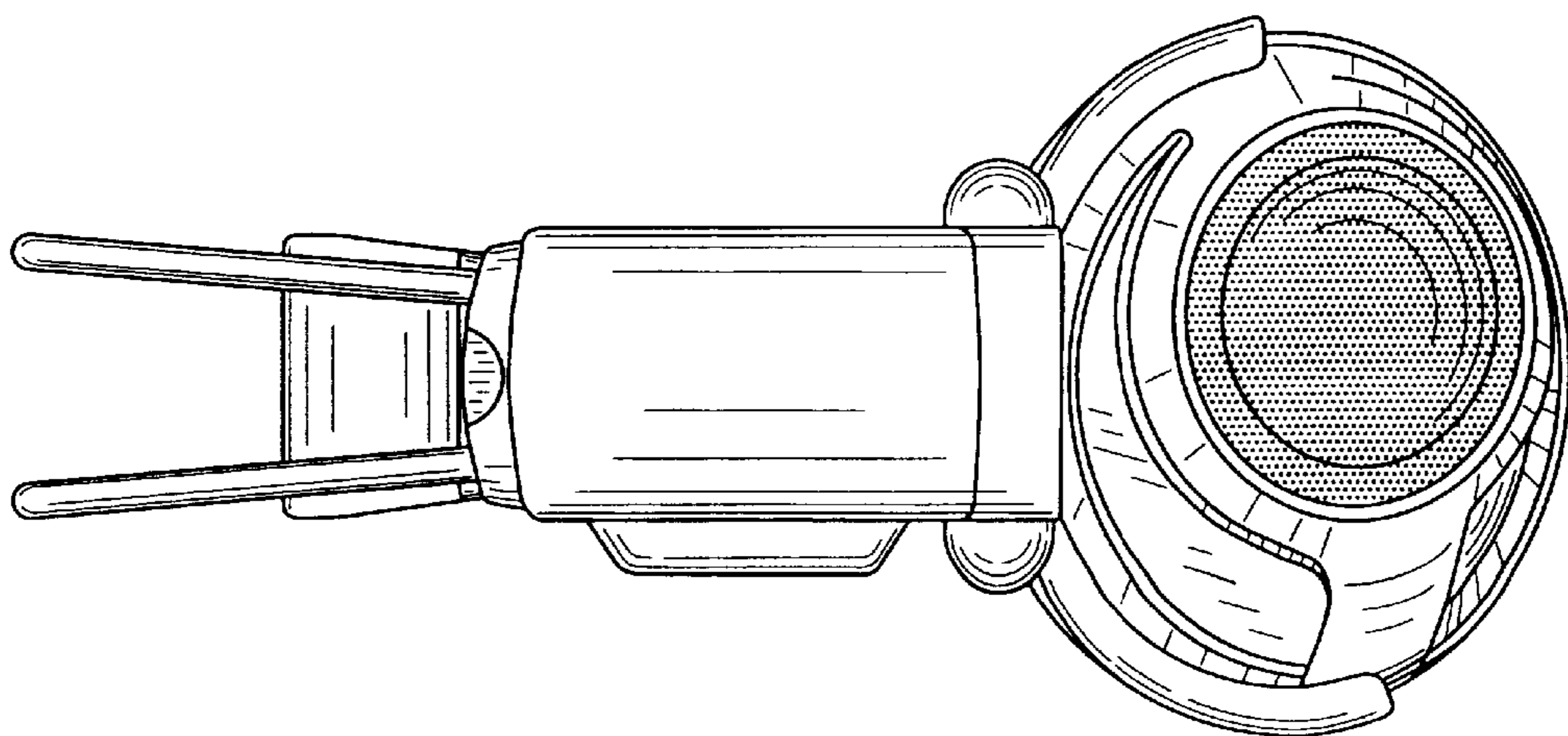
**FIG. 4**



**FIG. 5**



**FIG. 7**



**FIG. 6**