



US00D420352S

# United States Patent [19] Chan

[11] Patent Number: Des. 420,352

[45] Date of Patent: \*\* Feb. 8, 2000

[54] RADIO WITH ALARM CLOCK

[75] Inventor: **Kui-Wai Chan**, Siu Lek Yuen, The Hong Kong Special Administrative Region of the People's Republic of China

[73] Assignee: **Wai Hang Electronic Co., Inc.**, Hong Kong, The Hong Kong Special Administrative Region of the People's Republic of China

[\*\*] Term: **14 Years**

[21] Appl. No.: **29/097,588**

[22] Filed: **Dec. 10, 1998**

[30] **Foreign Application Priority Data**

Oct. 9, 1998 [HK] The Hong Kong Special Administrative Region of the People's Republic of China ..... 9811293

Oct. 14, 1998 [DE] Germany ..... 49810247

[51] LOC (7) Cl. .... **14-01**

[52] U.S. Cl. .... **D14/171**

[58] Field of Search ..... D10/1, 2, 15; D14/168, D14/170-171, 193-198; 455/344, 347, 350-351

[56] **References Cited**

U.S. PATENT DOCUMENTS

D. 362,437	9/1995	Boyd	.....	D14/171
D. 380,757	7/1997	Mak	.....	D14/171
D. 384,069	9/1997	Kokkinis	.....	D14/171
D. 388,789	1/1998	Kokkinis	.....	D14/196 X

*Primary Examiner*—Nanda Bondade  
*Attorney, Agent, or Firm*—Samuels, Gauthier & Stevens

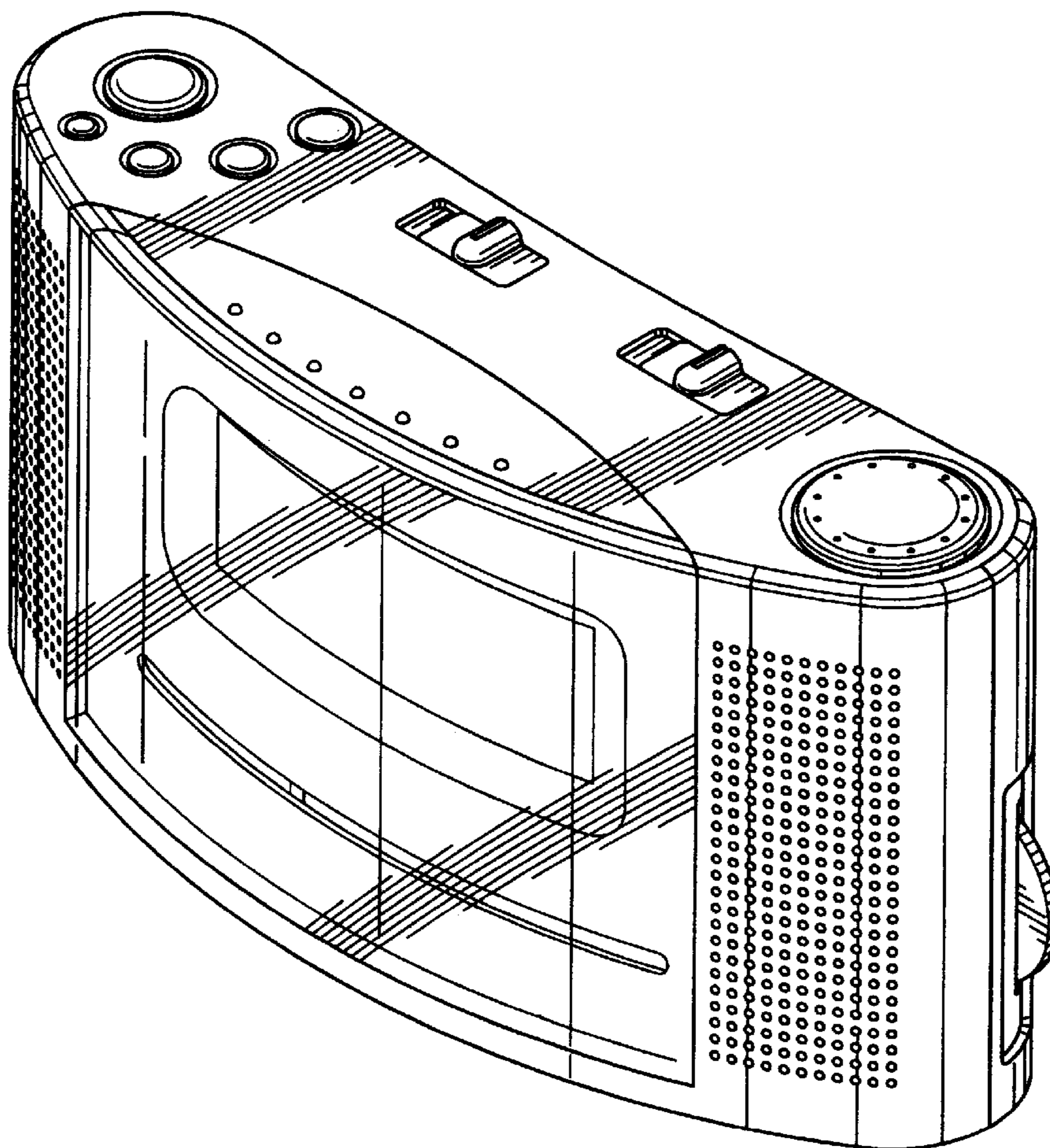
[57] **CLAIM**

The ornamental design for a radio with alarm clock, as show and described.

**DESCRIPTION**

FIG. 1 is the front perspective view showing my new design; FIG. 2 is the front view thereof; FIG. 3 is the rear view thereof; FIG. 4 is the left-hand view thereof; FIG. 5 is the right-hand view thereof; FIG. 6 is the top view thereof; and, FIG. 7 is the bottom view thereof.

**1 Claim, 4 Drawing Sheets**



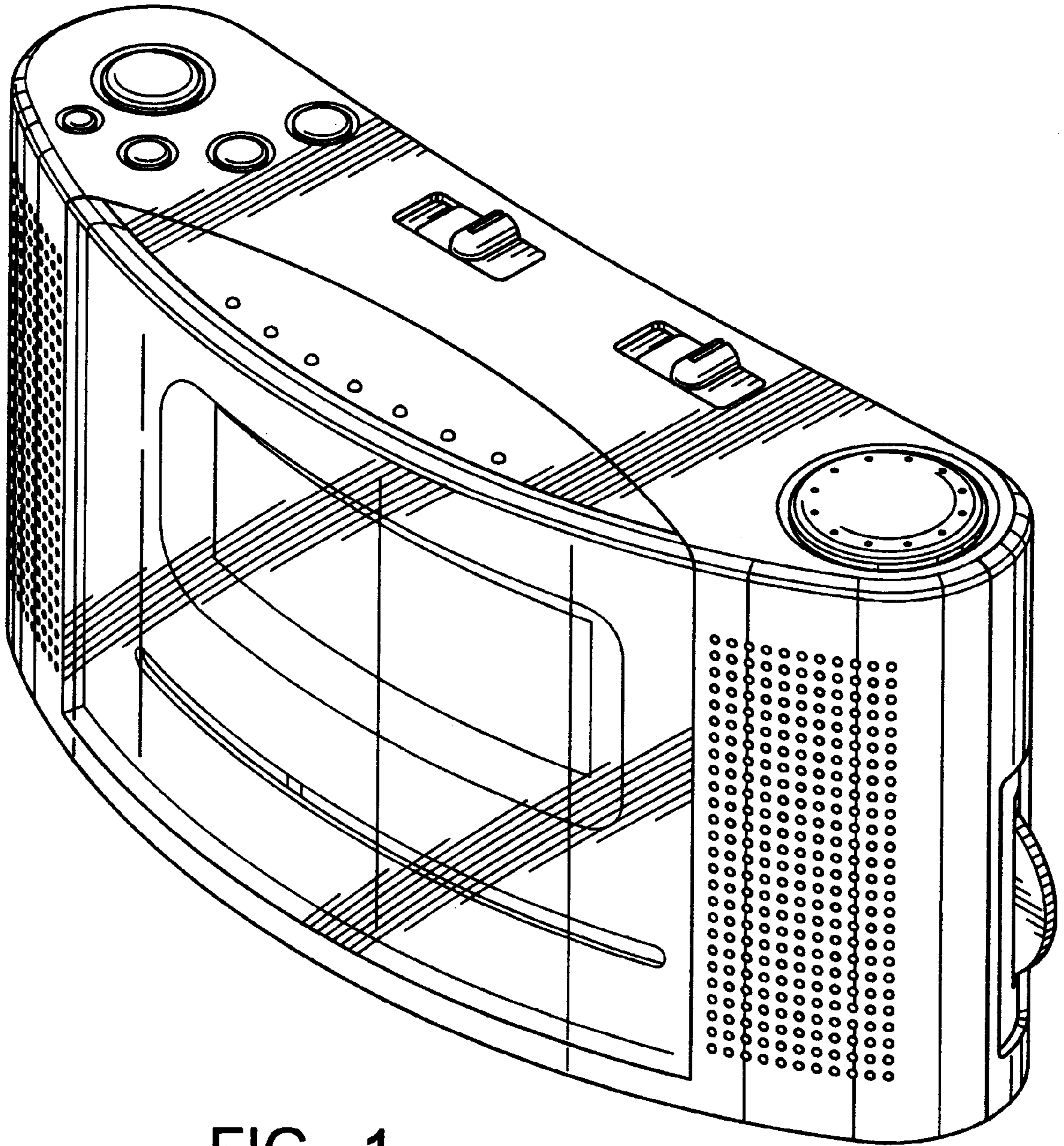


FIG. 1

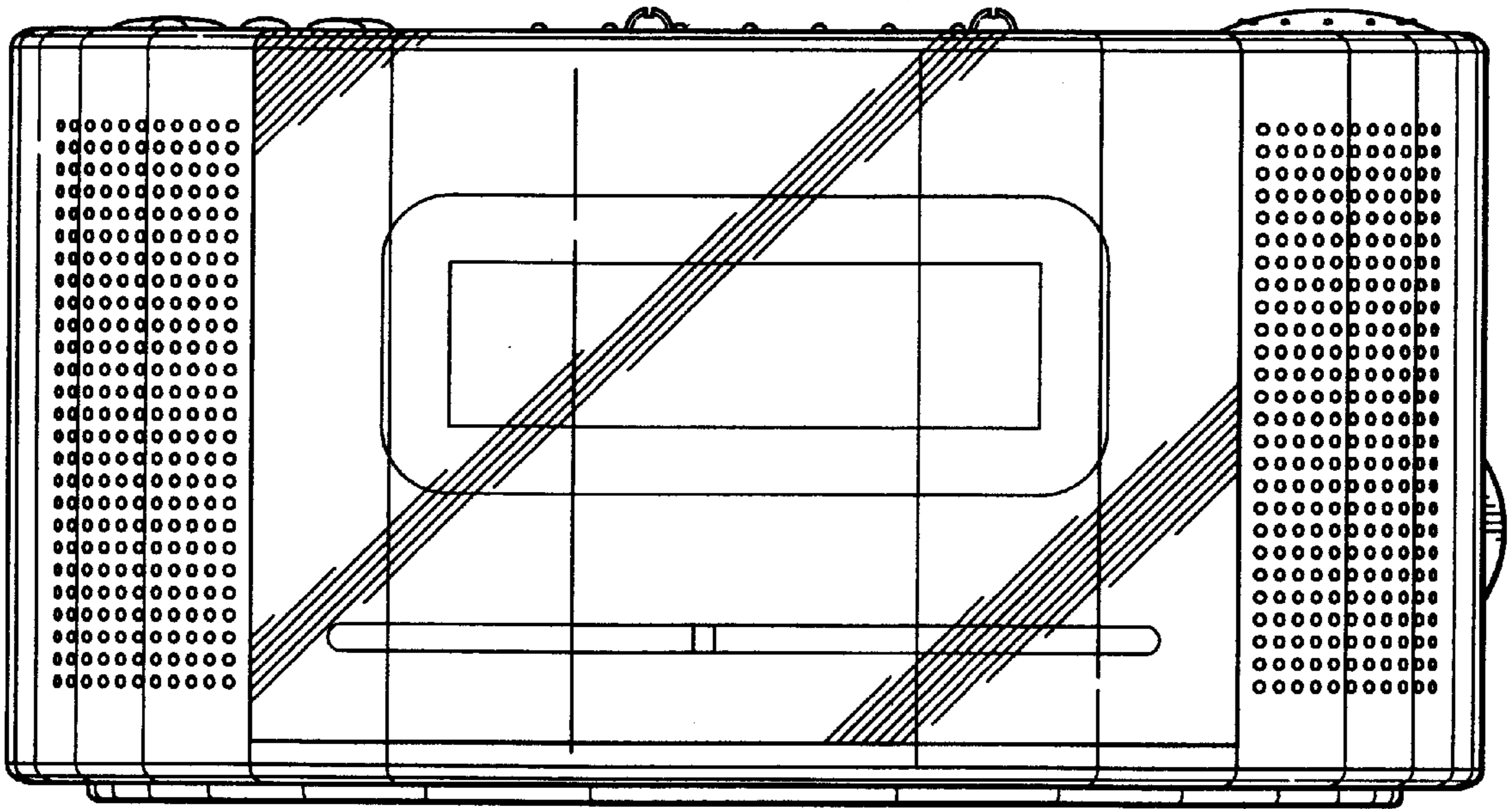


FIG. 2

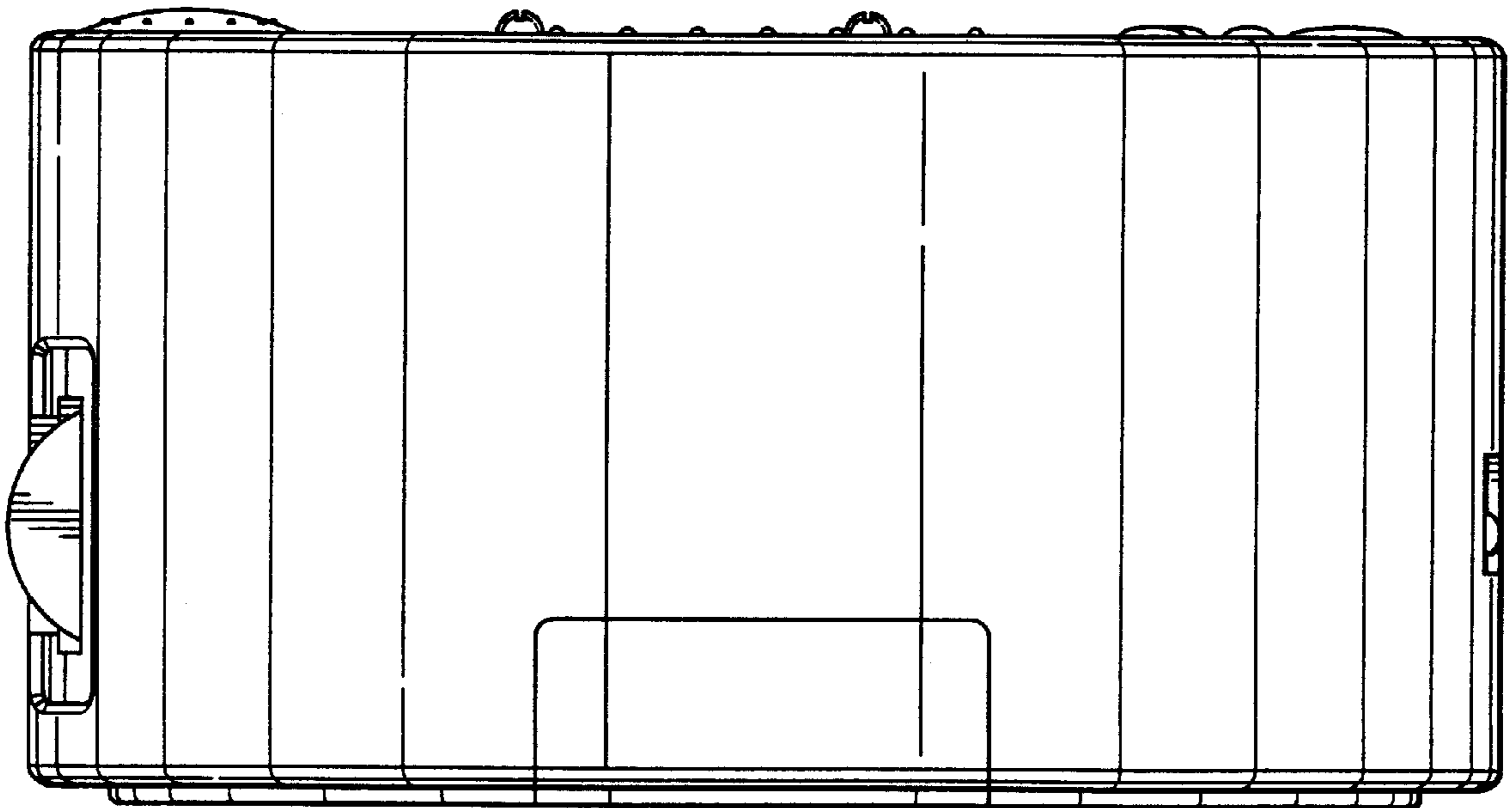


FIG. 3

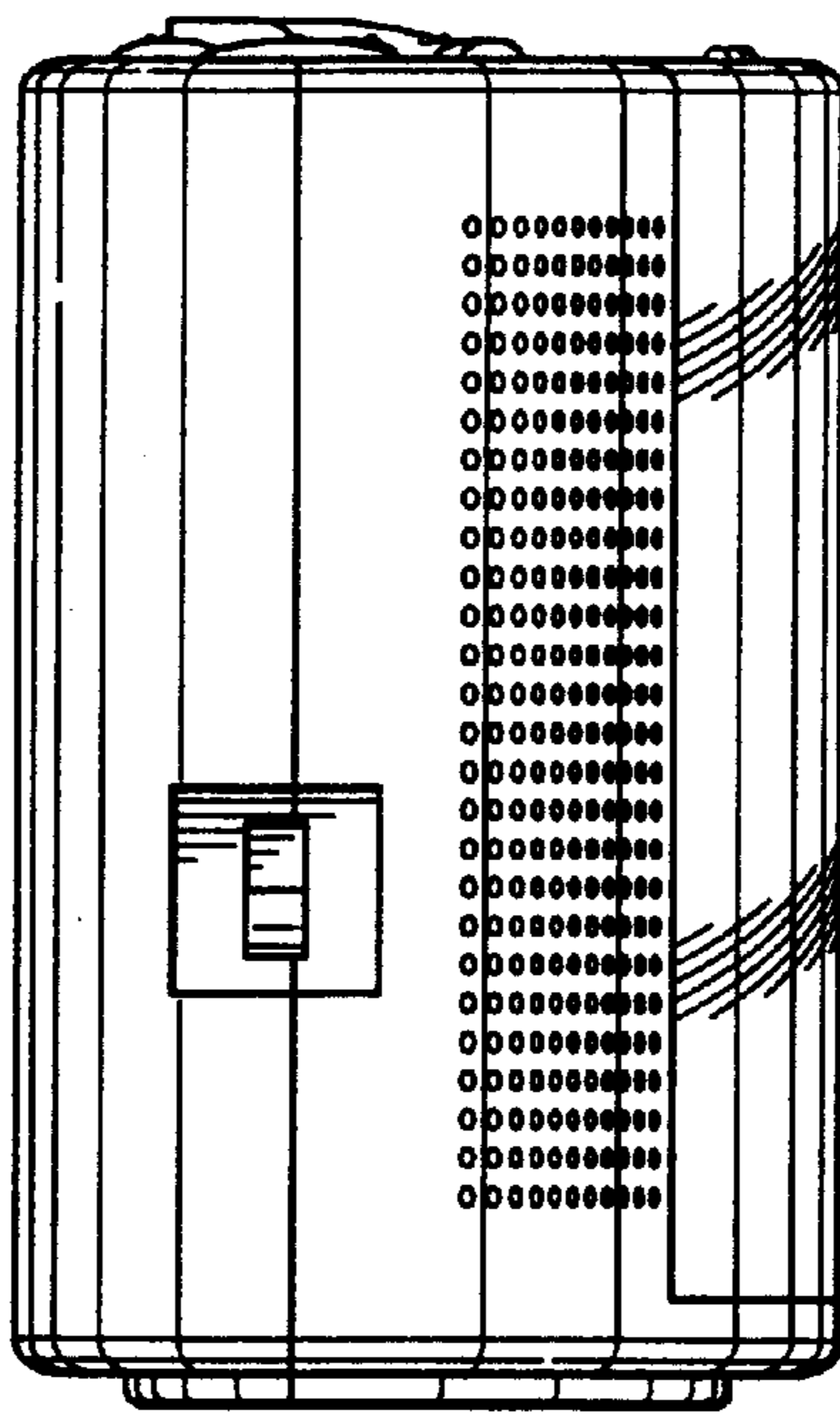


FIG. 4

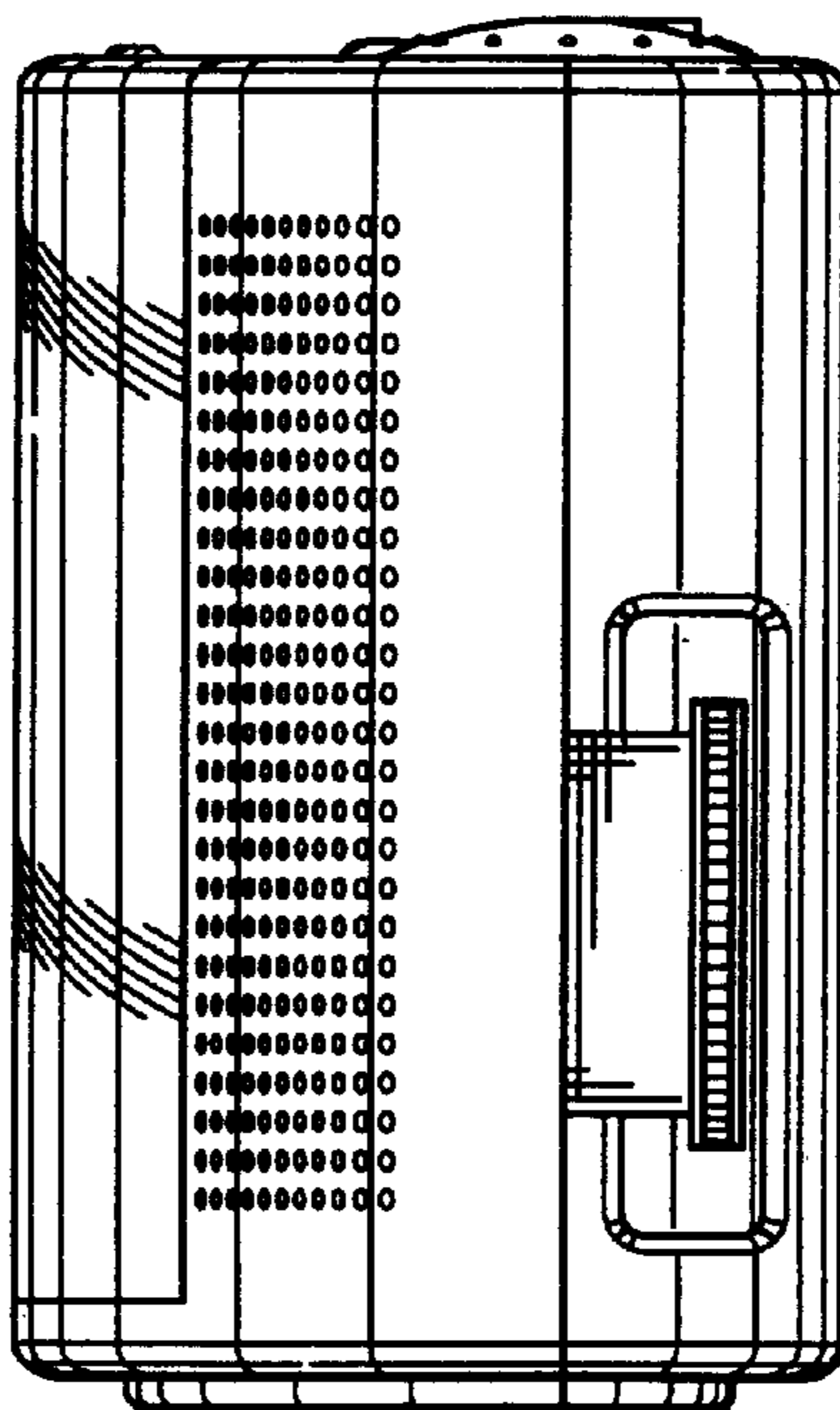


FIG. 5

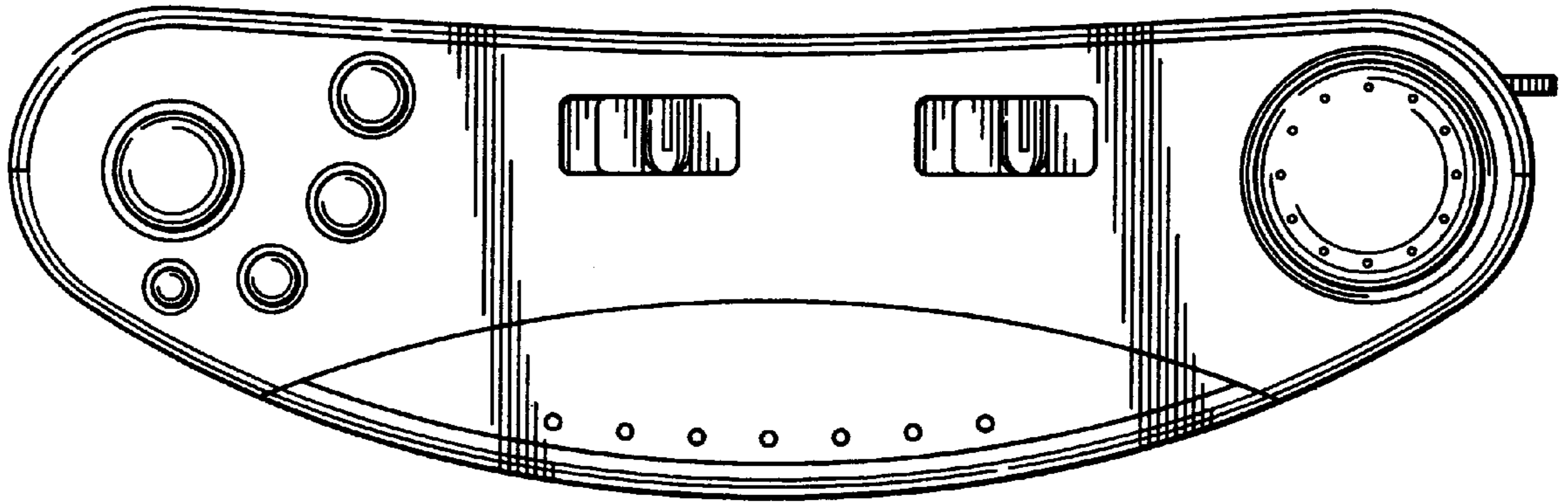


FIG. 6

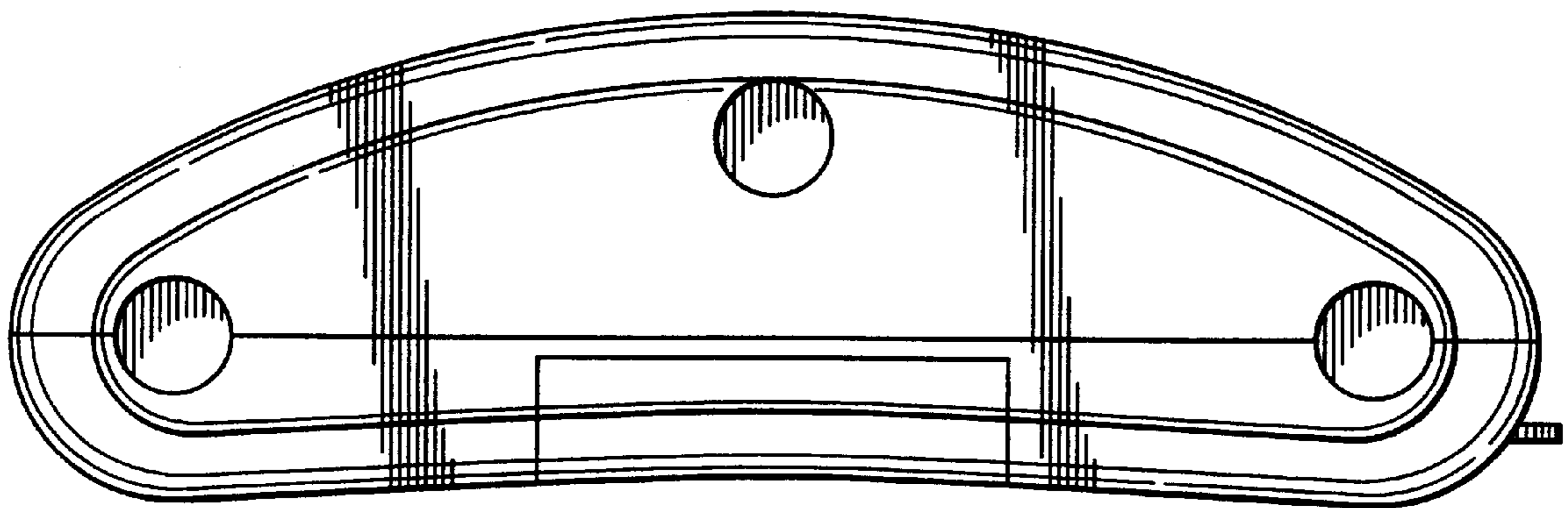


FIG. 7

UNITED STATES PATENT AND TRADEMARK OFFICE  
**CERTIFICATE OF CORRECTION**

PATENT NO. : Des.420,352

DATED : February 8, 2000

INVENTOR(S) : Kui-Wai Chan

It is certified that error appears in the above-identified patent and that said Letters Patent is hereby corrected as shown below: On the title page: Item

[73] Assignee: Wai Hang Electronic Co., Ltd.

Signed and Sealed this  
Fifteenth Day of May, 2001

Attest:



NICHOLAS P. GODICI

Attesting Officer

Acting Director of the United States Patent and Trademark Office