



US00D420350S

United States Patent [19]
Matsuzaka

[11] **Patent Number: Des. 420,350**
[45] **Date of Patent: ** Feb. 8, 2000**

[54] **VIDEO TAPE RECORDER**

[75] Inventor: **Yozo Matsuzaka**, Tokyo, Japan

[73] Assignee: **Sony Corporation**, Tokyo, Japan

[**] Term: **14 Years**

[21] Appl. No.: **29/095,813**

[22] Filed: **Oct. 30, 1998**

[51] **LOC (7) Cl.** **14-01**

[52] **U.S. Cl.** **D14/135**

[58] **Field of Search** D14/124, 135,
D14/136, 156, 160, 239; 386/46; 369/75.1

[56] **References Cited**

U.S. PATENT DOCUMENTS

D. 372,711	8/1996	Hyougo	D14/135
D. 377,350	1/1997	Niitsu	D14/135
D. 387,755	12/1997	Shintani	D14/135
D. 394,655	5/1998	Niitsu	D14/156
D. 404,394	1/1999	Oh	D14/135
D. 407,394	3/1999	Oh	D14/135

OTHER PUBLICATIONS

Catalog "89", Sony, (Jul., 1998), pp. 27-29.

Primary Examiner—Ted Shooman

Assistant Examiner—Richelle Shelton

Attorney, Agent, or Firm—Foley & Lardner

[57] **CLAIM**

The ornamental design for a video tape recorder, as shown and described.

DESCRIPTION

FIG. 1 is a perspective view of a first embodiment of a video tape recorder showing my new design;

FIG. 2 is a top plan view thereof;

FIG. 3 is a rear elevational view thereof.

FIG. 4 is a left side elevational view thereof;

FIG. 5 is a front elevational view thereof;

FIG. 6 is a bottom plan view thereof; and

FIG. 7 is a right side elevational view thereof.

FIG. 8 is a perspective view of a second embodiment of a video tape recorder wherein the lid portion of the first embodiment is in the open position.

FIG. 9 is a perspective view of a third embodiment of a video tape recorder showing my new design;

FIG. 10 is a top plan view thereof;

FIG. 11 is a rear elevational view thereof.

FIG. 12 is a left side elevational view thereof;

FIG. 13 is a front elevational view thereof;

FIG. 14 is a bottom plan view thereof; and

FIG. 15 is a right side elevational view thereof; and,

FIG. 16 is a perspective view of a fourth embodiment of a video tape recorder wherein the lid portion of the third embodiment is in the open position.

1 Claim, 10 Drawing Sheets

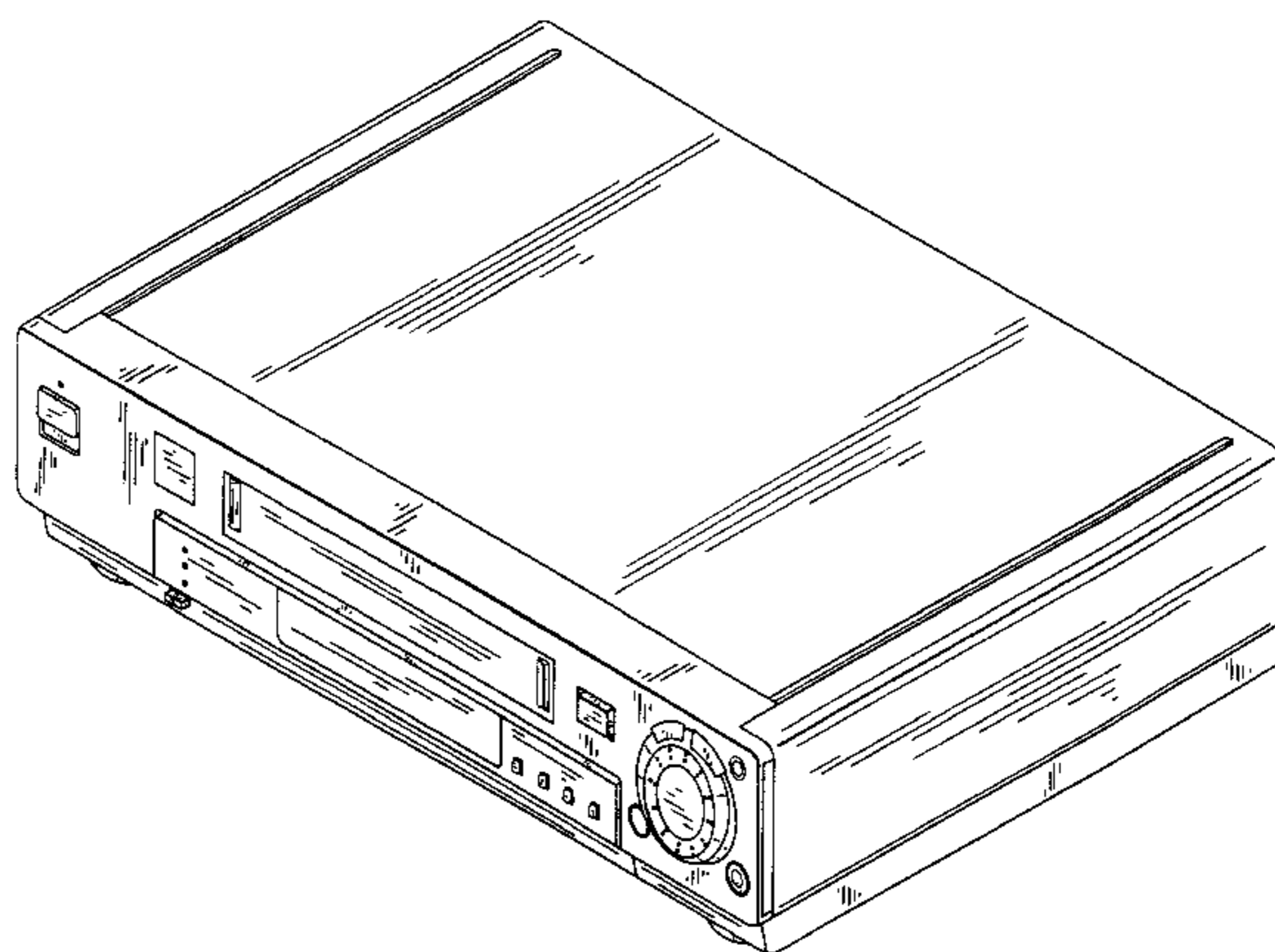
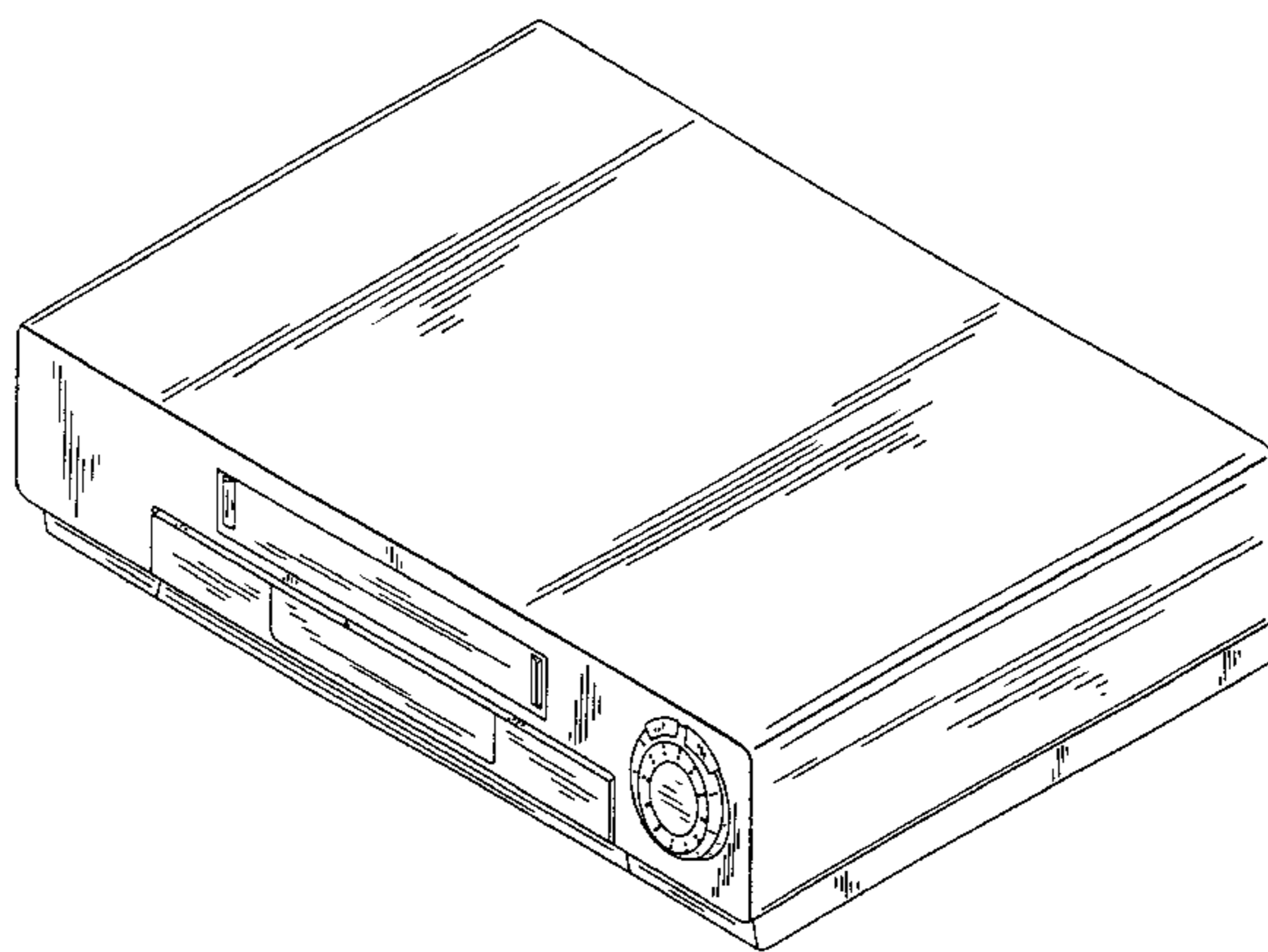


FIG. 1

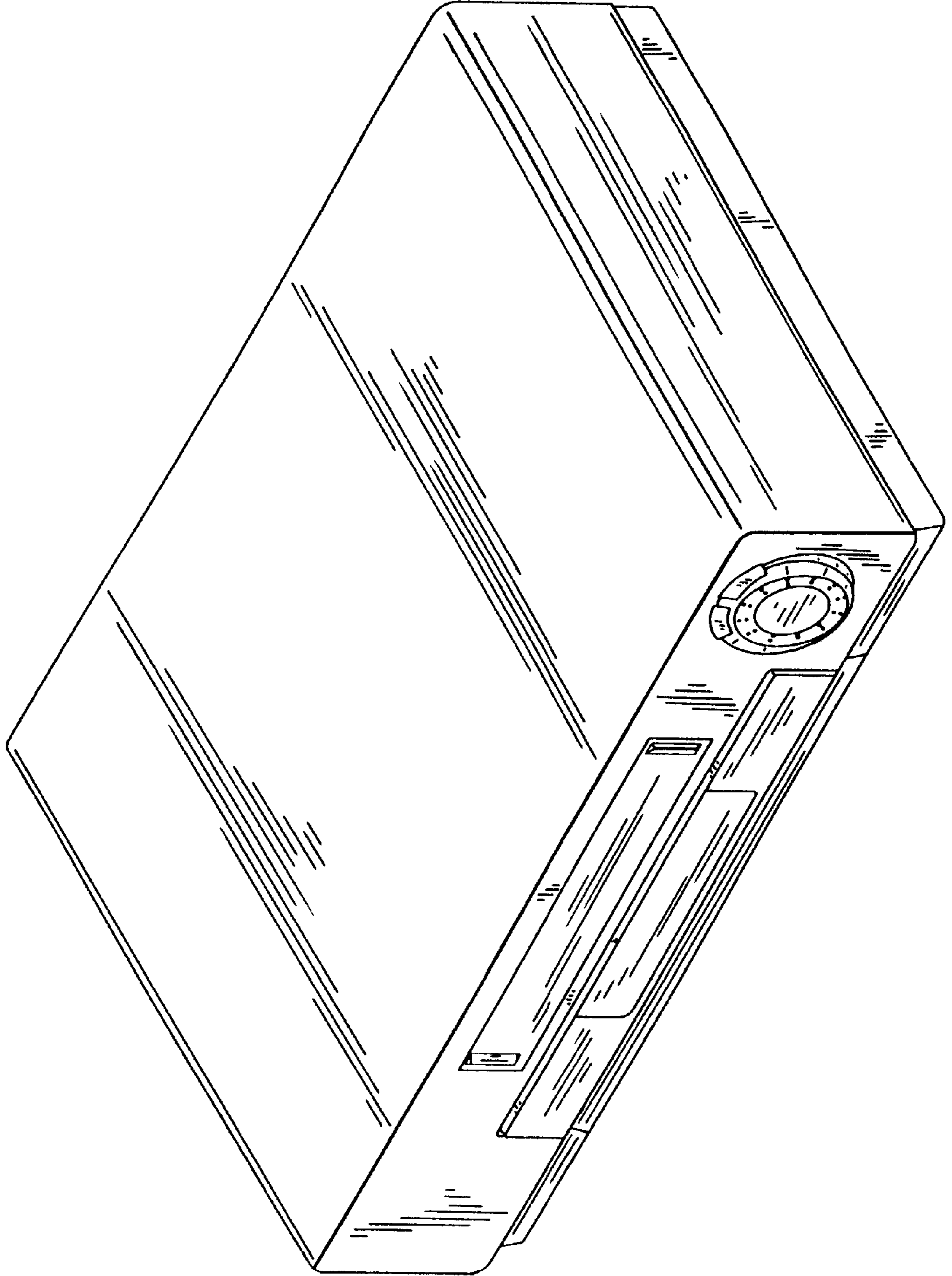


FIG. 6

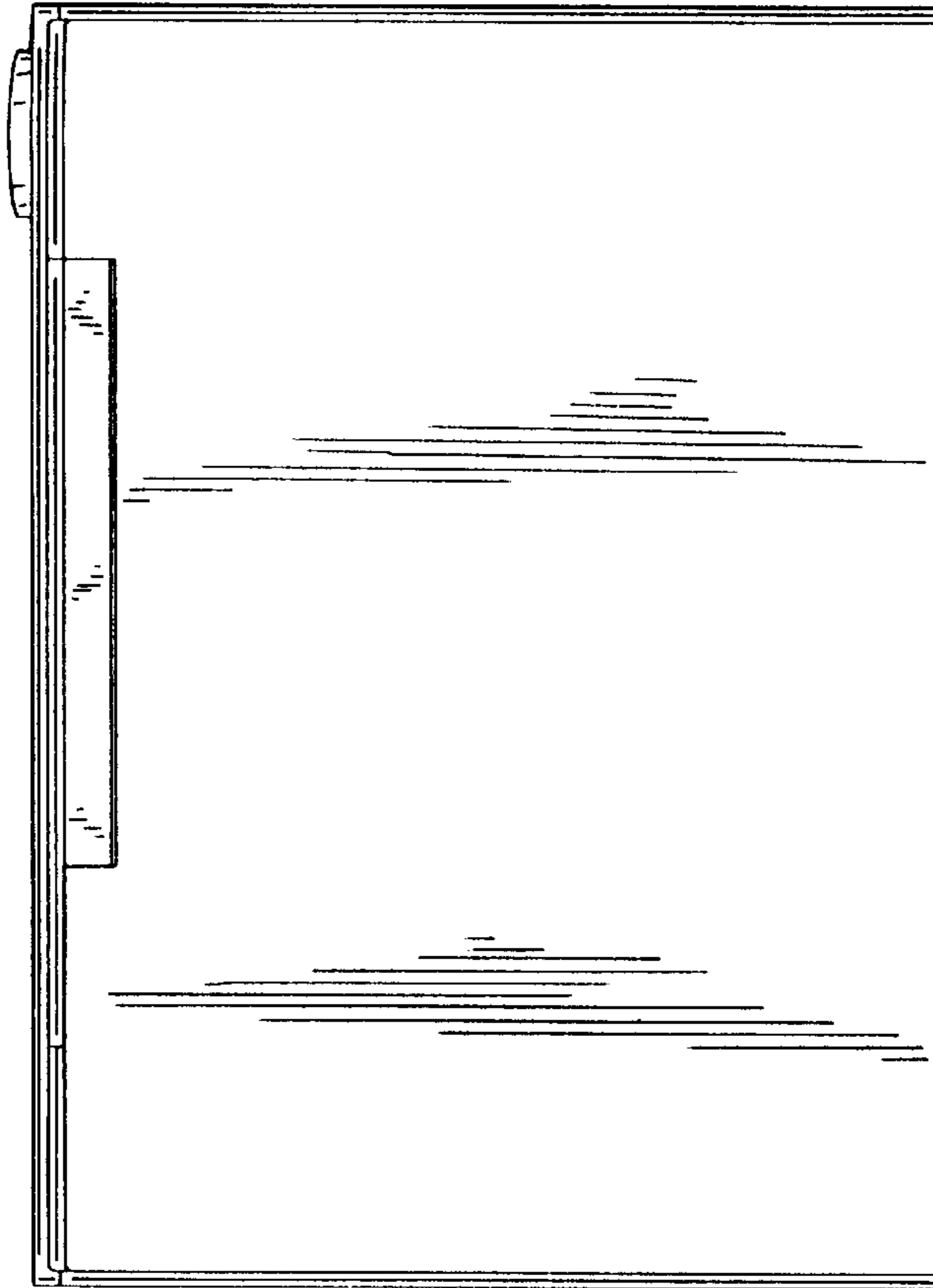


FIG. 2

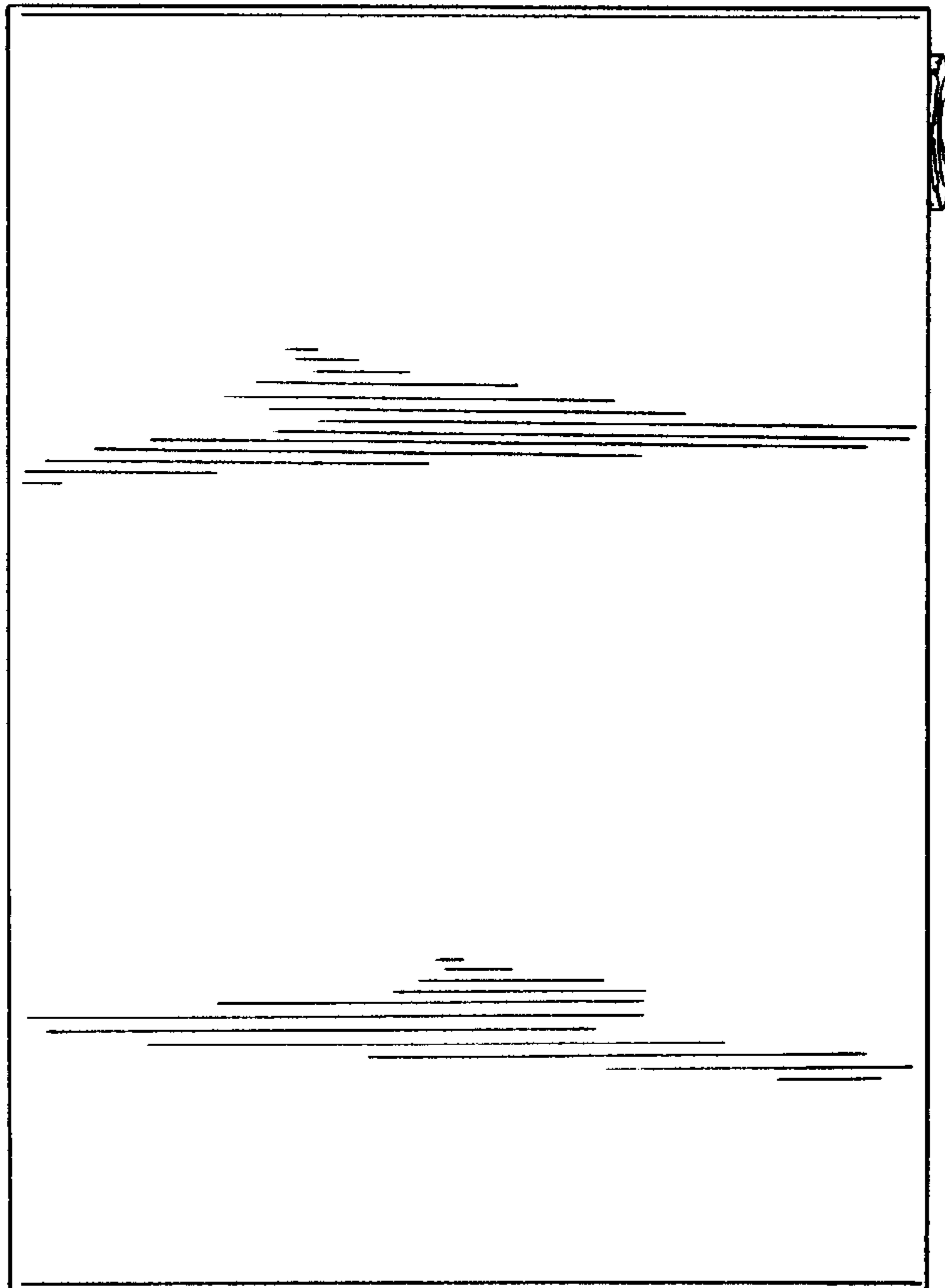


FIG. 5

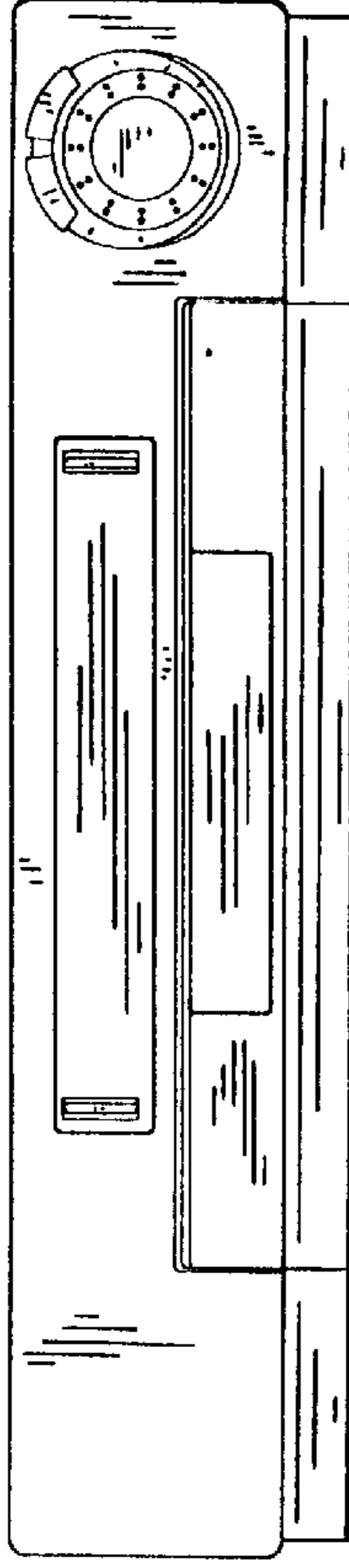


FIG. 3

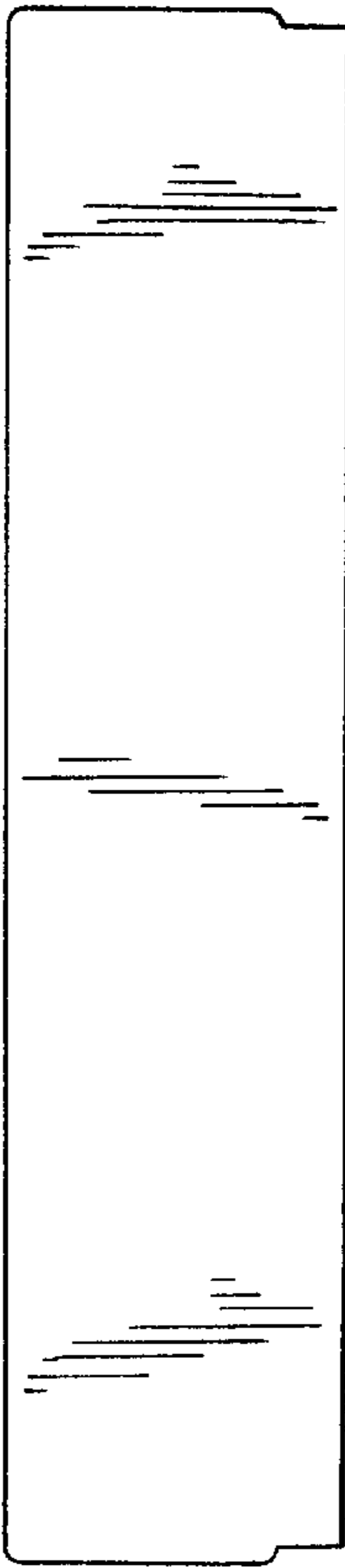


FIG. 7

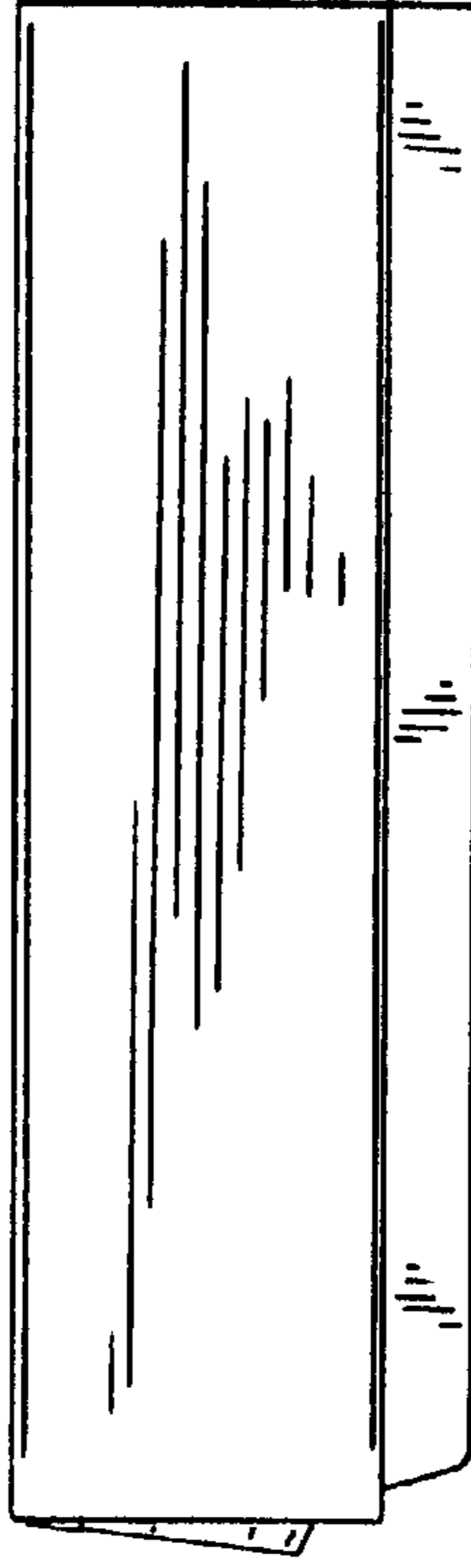


FIG. 4

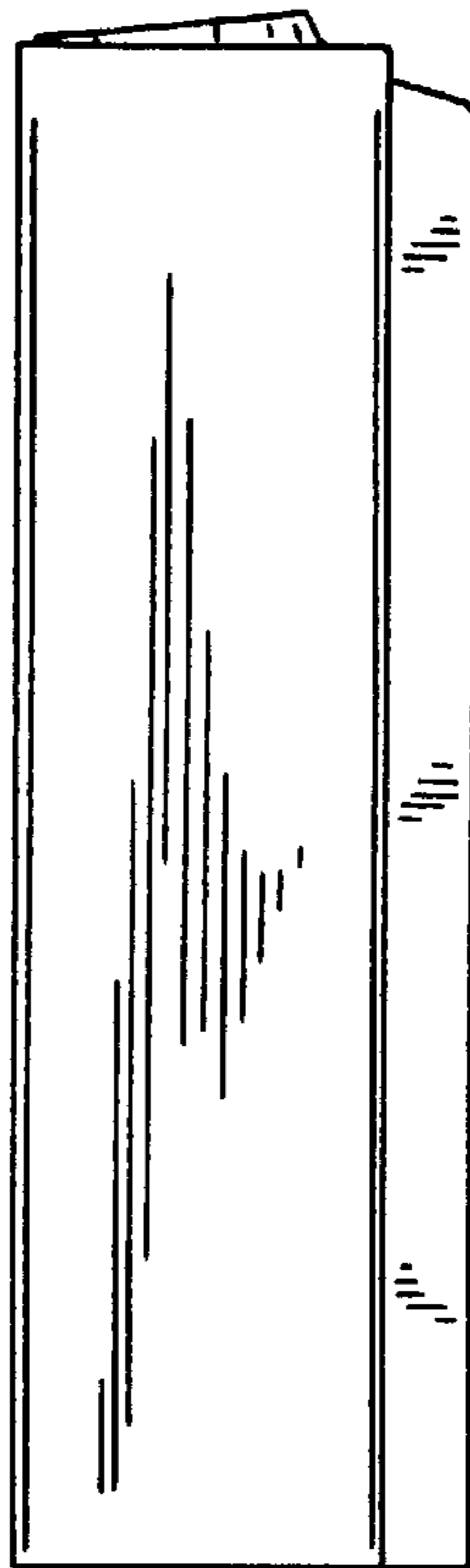


FIG. 8

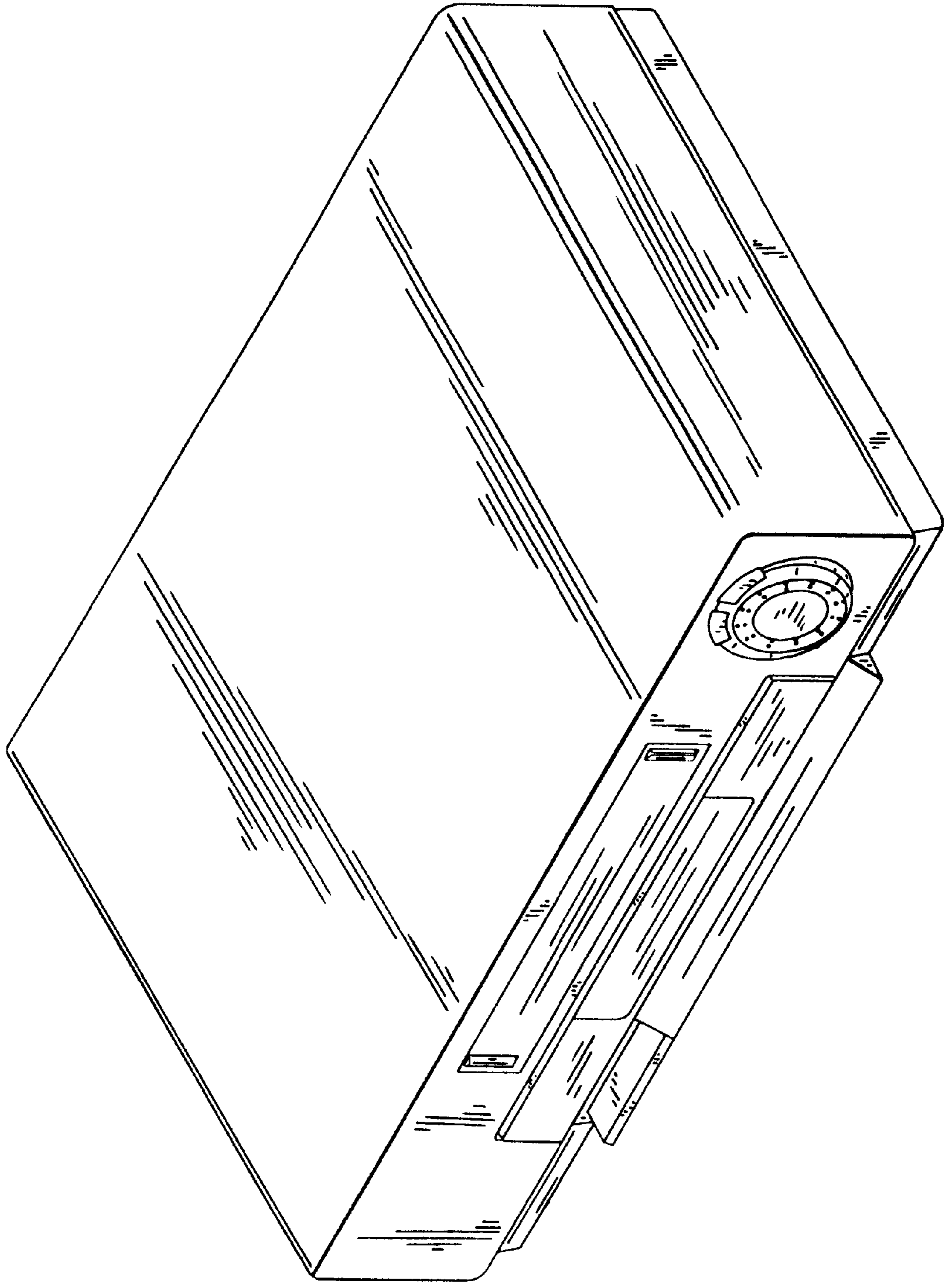


FIG. 9

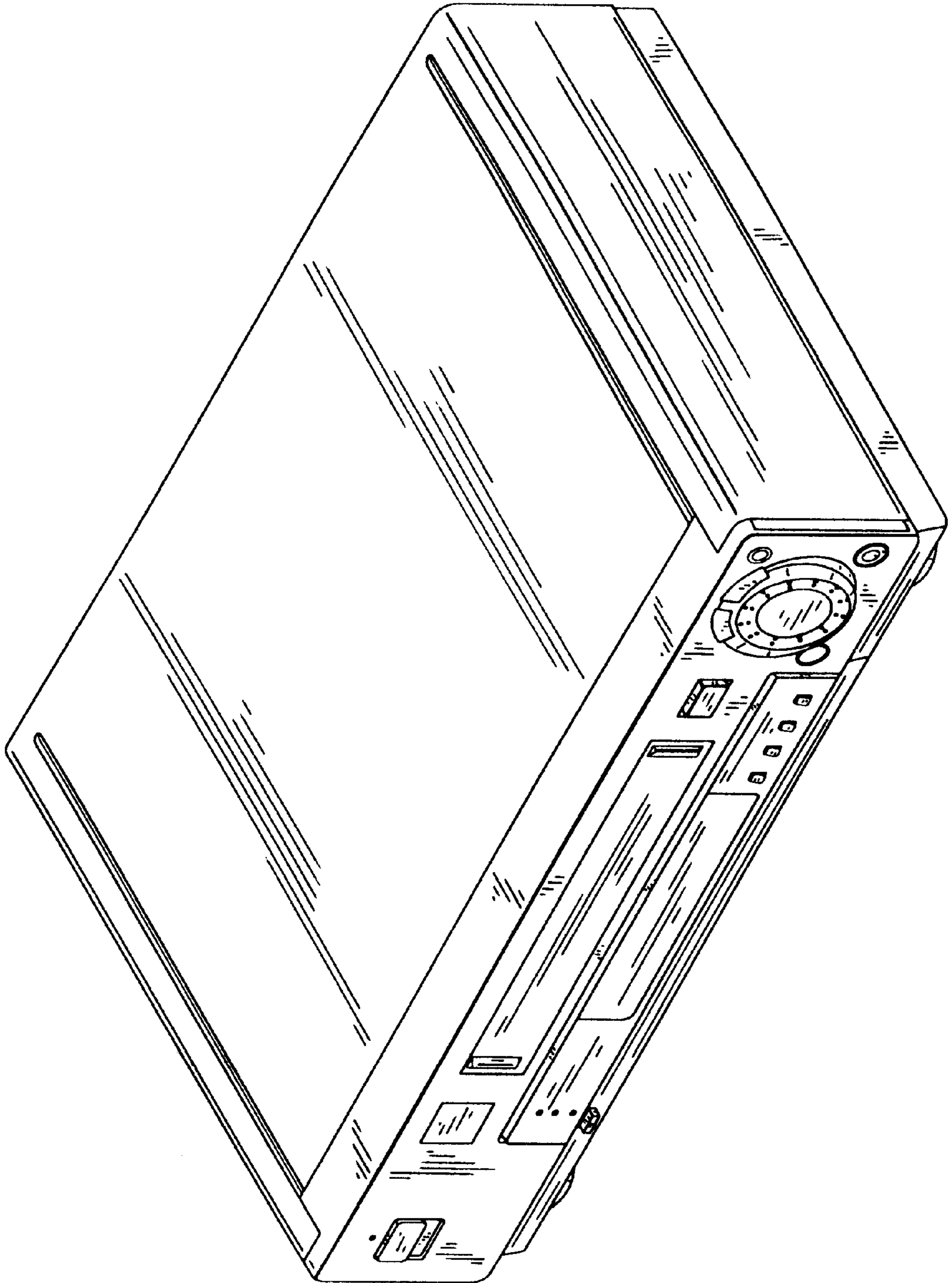


FIG. 14

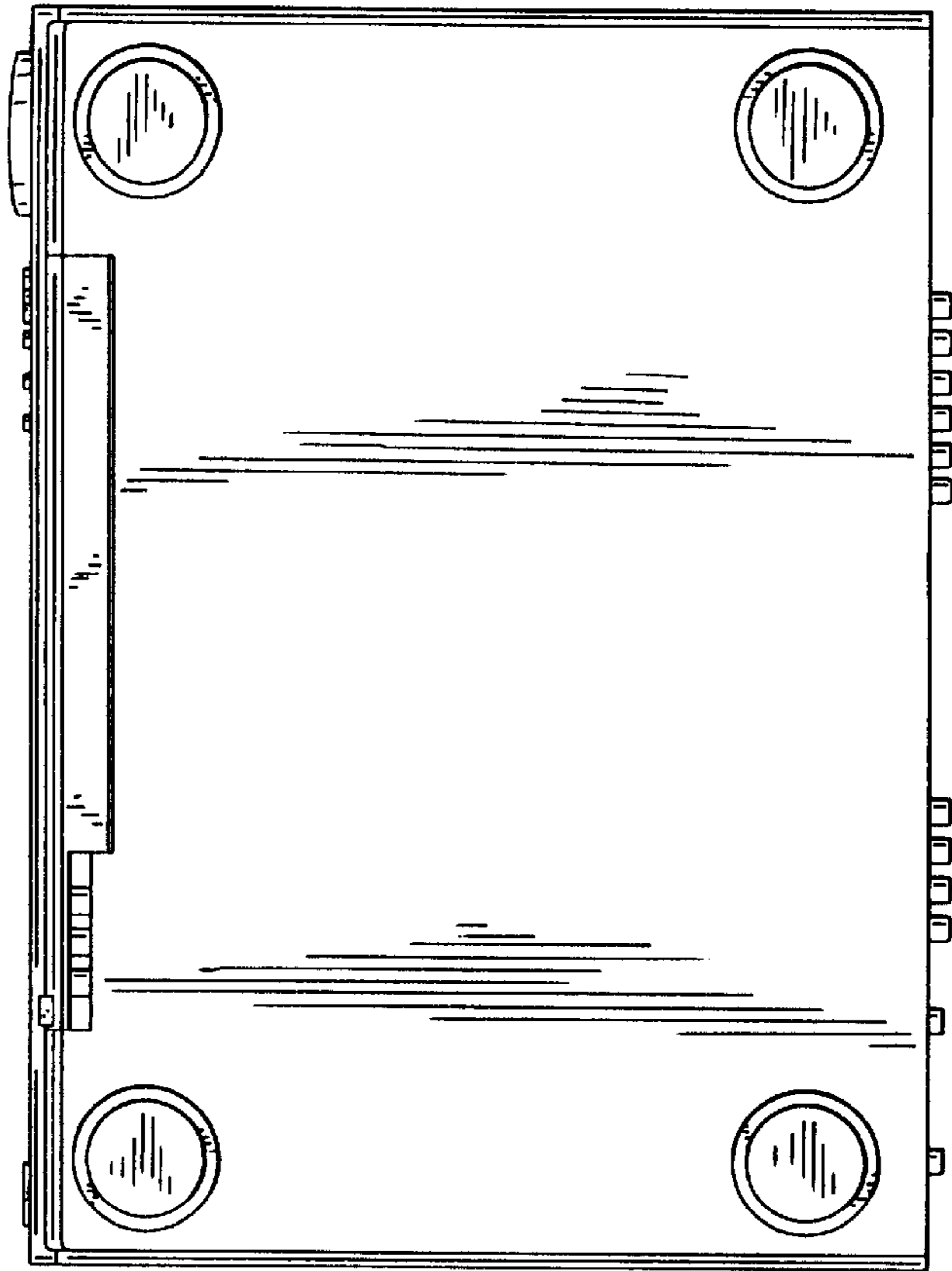


FIG. 10

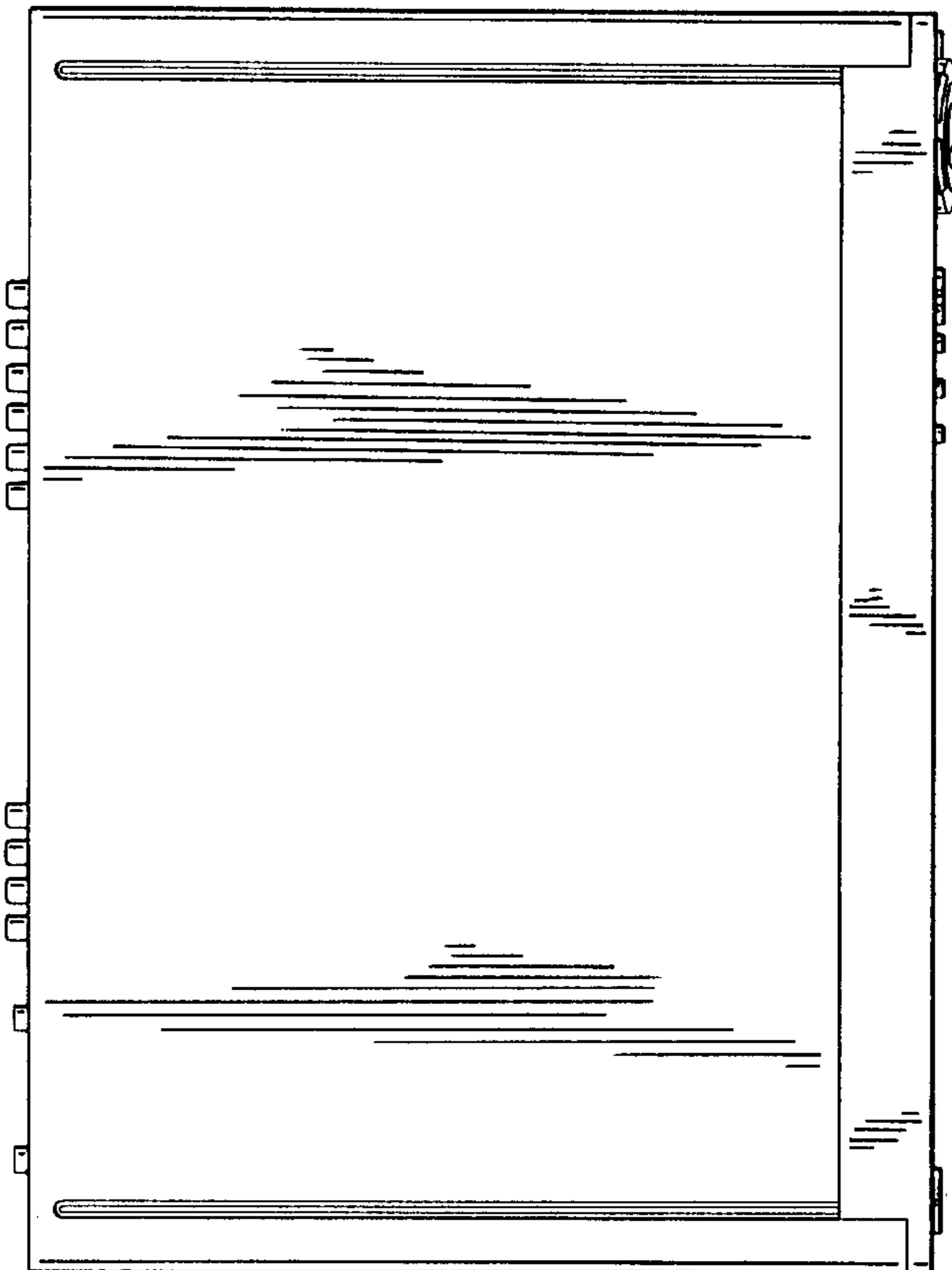


FIG. 13

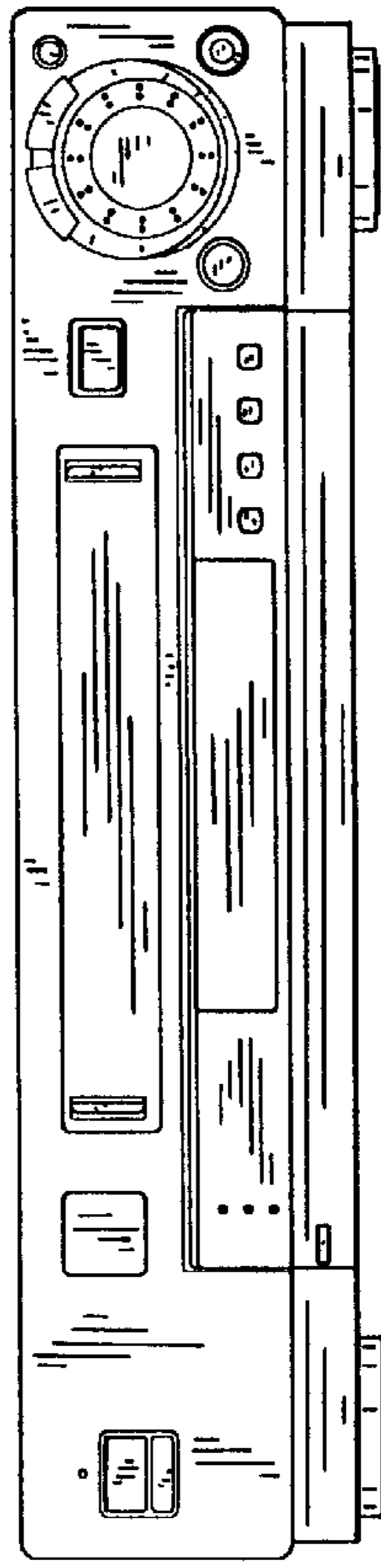


FIG. 11

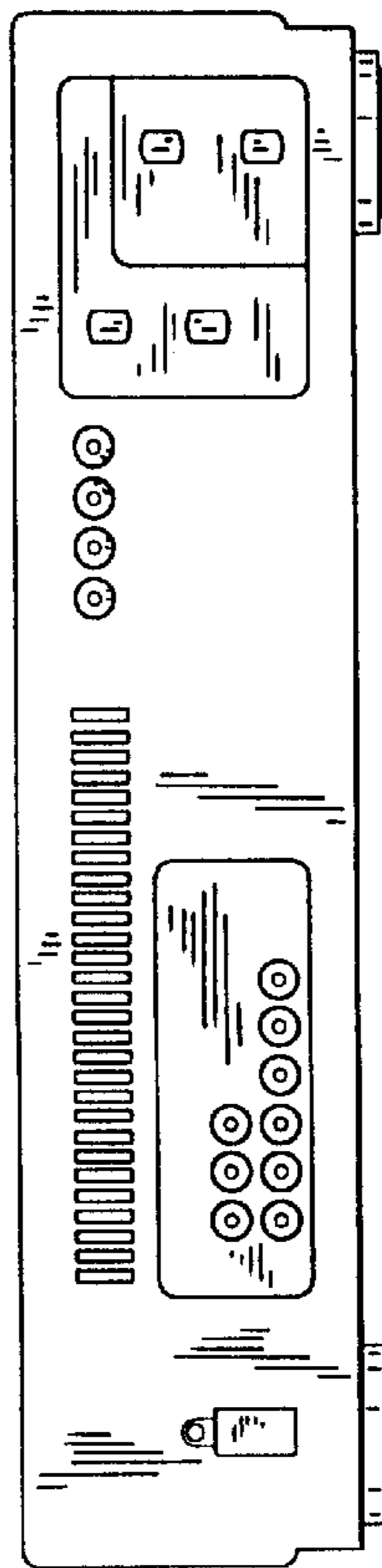


FIG. 15

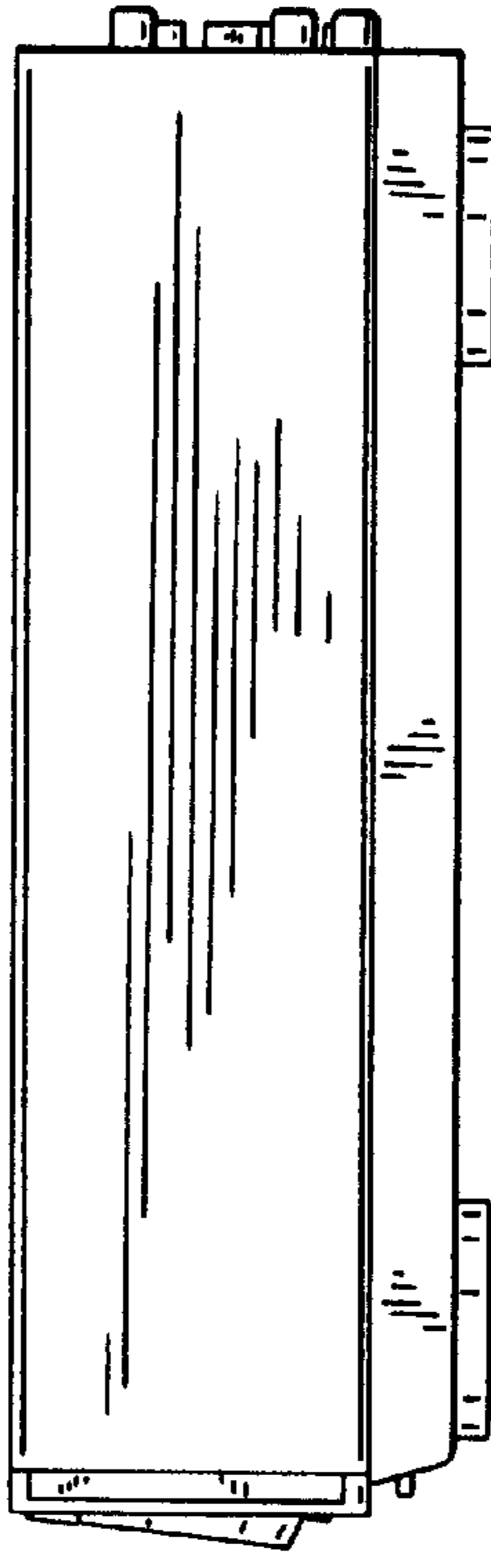


FIG. 12

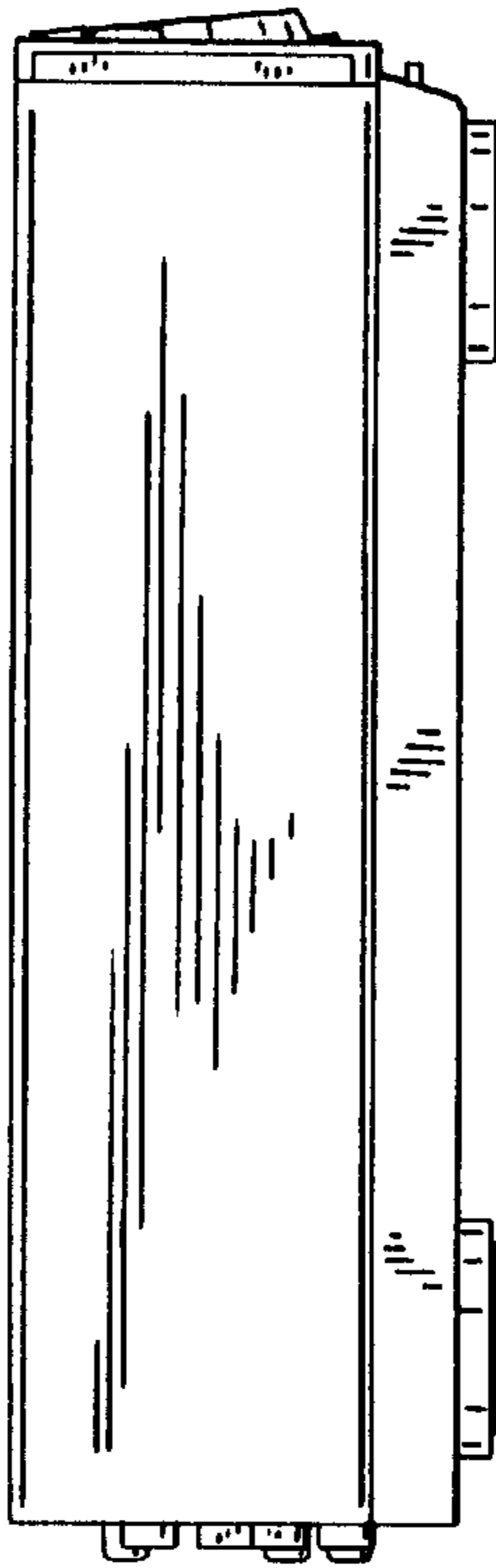


FIG. 16

