



US00D420347S

United States Patent [19]

[11] Patent Number: Des. 420,347

Ichikawa et al.

[45] Date of Patent: ** Feb. 8, 2000

[54] **MAGNETIC DISC CARTRIDGE WITH SHUTTER**

[75] Inventors: **Toru Ichikawa; Hiroshi Meguro**, both of Tokyo, Japan

[73] Assignee: **Sony Corporation**, Tokyo, Japan

[**] Term: **14 Years**

[21] Appl. No.: **29/083,488**

[22] Filed: **Feb. 11, 1998**

[30] Foreign Application Priority Data

Aug. 11, 1997	[JP]	Japan	9-64241
Aug. 11, 1997	[JP]	Japan	9-64242
Oct. 13, 1997	[JP]	Japan	9-71183
Oct. 13, 1997	[JP]	Japan	9-71184
Oct. 13, 1997	[JP]	Japan	9-71185

[51] **LOC (7) Cl.** **14-99**

[52] **U.S. Cl.** **D14/121**

[58] **Field of Search** D14/120, 121, D14/114, 100; D21/332; 360/132, 133, 135, 60, 129, 900; 369/291, 292, 117; 206/307, 308.1, 308.2, 308.9; 463/44, 46, 47

[56] References Cited

U.S. PATENT DOCUMENTS

Re. 32,781	11/1988	Takahashi	360/135 X
D. 361,560	8/1995	Shindo	D14/114
D. 367,474	2/1996	Ikenaga	D14/114
D. 375,491	11/1996	Hata	D14/114
D. 392,949	3/1998	Fujisawa	D14/114
D. 392,951	3/1998	Fujisawa	D14/114
4,885,653	12/1989	Kato	360/133
5,447,768	9/1995	Takahashi	360/135 X
5,587,860	12/1996	Umebayashi et al.	360/135 X

FOREIGN PATENT DOCUMENTS

751759	1/1989	Japan .
751759-1	1/1989	Japan .
848077	9/1992	Japan .
848168	9/1992	Japan .
848559	9/1992	Japan .

861955	2/1993	Japan .
862670	3/1993	Japan .
873214	7/1993	Japan .
873214-1	8/1993	Japan .
873214-2	8/1993	Japan .
873214-3	8/1993	Japan .
873214-4	8/1993	Japan .
873214-5	8/1993	Japan .
873214-6	8/1993	Japan .
873214-7	8/1993	Japan .
873214-8	8/1993	Japan .
873214-9	8/1993	Japan .

(List continued on next page.)

OTHER PUBLICATIONS

Maxwell Catalog, SuperDisk™/LS-120, Sep. 1997.

Primary Examiner—Prabhakar Deshmukh
Attorney, Agent, or Firm—Foley & Lardner

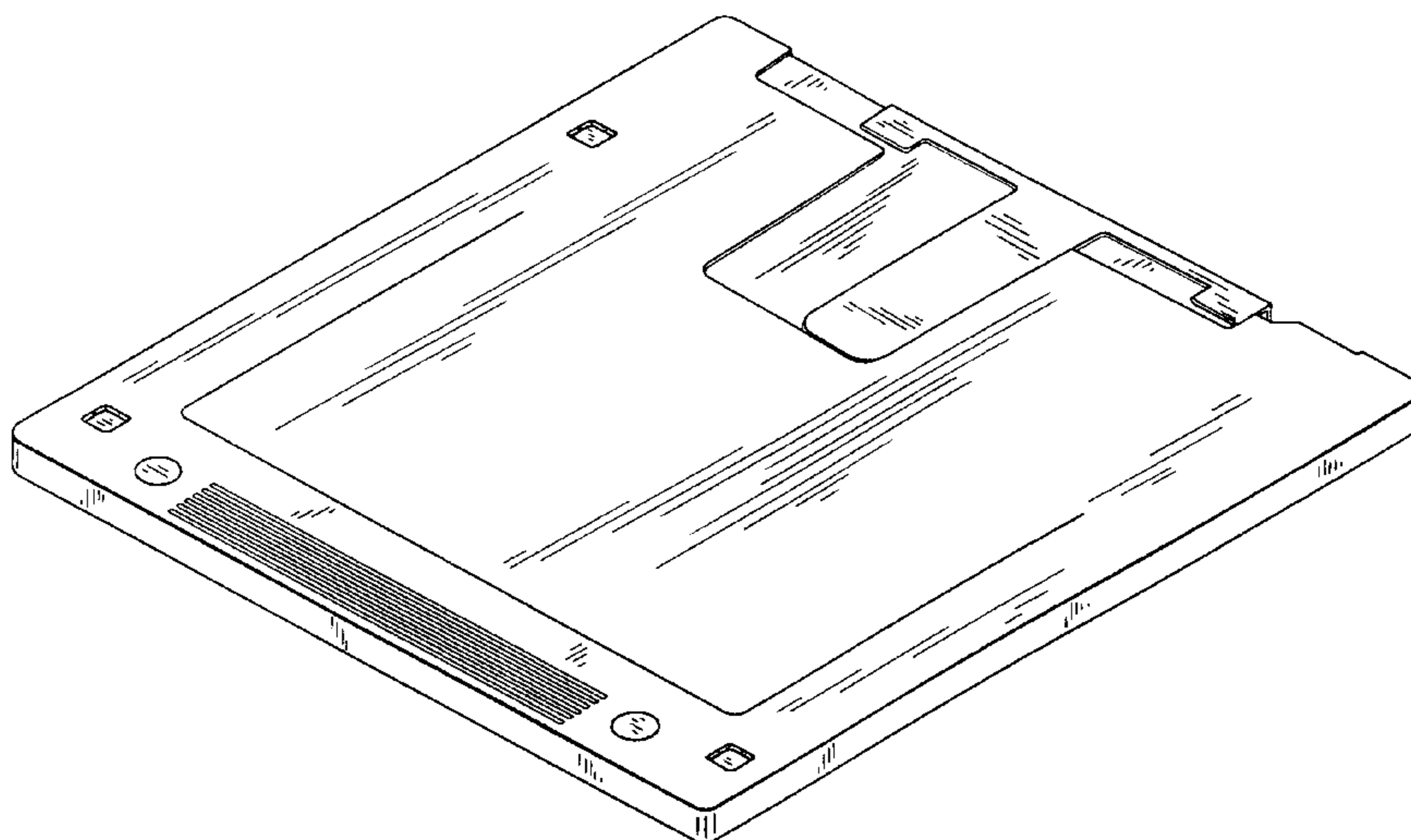
[57] CLAIM

The ornamental design for a magnetic disc cartridge with shutter, as shown and described.

DESCRIPTION

FIG. 1 is a perspective view of a magnetic disc cartridge with shutter showing our new design;
 FIG. 2 is a top plan view thereof;
 FIG. 3 is a left side elevational view thereof;
 FIG. 4 is a front elevational view thereof;
 FIG. 5 is a bottom plan view thereof.
 FIG. 6 is a right side elevational view thereof; and
 FIG. 7 is a rear elevational view thereof.
 FIG. 8 is a perspective view of a second embodiment of a magnetic disc cartridge with shutter;
 FIG. 9 is a top plan view thereof;
 FIG. 10 is a left side elevational view thereof;
 FIG. 11 is a front elevational view thereof;
 FIG. 12 is a bottom plan view thereof;
 FIG. 13 is a right side elevational view thereof; and
 FIG. 14 is a rear elevational view thereof; and,
 FIG. 15 is a perspective view thereof; with the shutter in using condition.

1 Claim, 7 Drawing Sheets



FOREIGN PATENT DOCUMENTS

887775	1/1994	Japan .	953829	5/1996	Japan .
894528	3/1994	Japan .	953830	5/1996	Japan .
894528-1	3/1994	Japan .	953831	5/1996	Japan .
894703	3/1994	Japan .	953832	5/1996	Japan .
894703-1	3/1994	Japan .	953892	5/1996	Japan .
887775-1	5/1994	Japan .	953896	5/1996	Japan .
887775-2	5/1994	Japan .	953897	5/1996	Japan .
887775-3	5/1994	Japan .	953898	5/1996	Japan .
887775-4	5/1994	Japan .	953899	5/1996	Japan .
887775-5	5/1994	Japan .	953900	5/1996	Japan .
887775-6	5/1994	Japan .	953901	5/1996	Japan .
887775-7	5/1994	Japan .	953901-1	5/1996	Japan .
873214-10	12/1994	Japan .	953892-1	6/1996	Japan .
873214-11	12/1994	Japan .	953892-2	6/1996	Japan .
914252	12/1994	Japan .	956425	6/1996	Japan .
915630-1	1/1995	Japan .	956426	6/1996	Japan .
915630-6	1/1995	Japan .	956427	6/1996	Japan .
887775-8	4/1995	Japan .	957226	6/1996	Japan .
887775-9	5/1995	Japan .	957227	6/1996	Japan .
953826	5/1996	Japan .	957824	7/1996	Japan .
953826-1	5/1996	Japan .	957824-1	7/1996	Japan .
953826-2	5/1996	Japan .	953830-1	9/1996	Japan .
953826-3	5/1996	Japan .	894528-2	10/1996	Japan .
953827	5/1996	Japan .	914252-1	10/1996	Japan .
953827-1	5/1996	Japan .	966211	10/1996	Japan .
953828	5/1996	Japan .	966211-1	10/1996	Japan .
953828-1	5/1996	Japan .	914252-2	11/1996	Japan .
			914252-3	11/1996	Japan .

FIG. 1

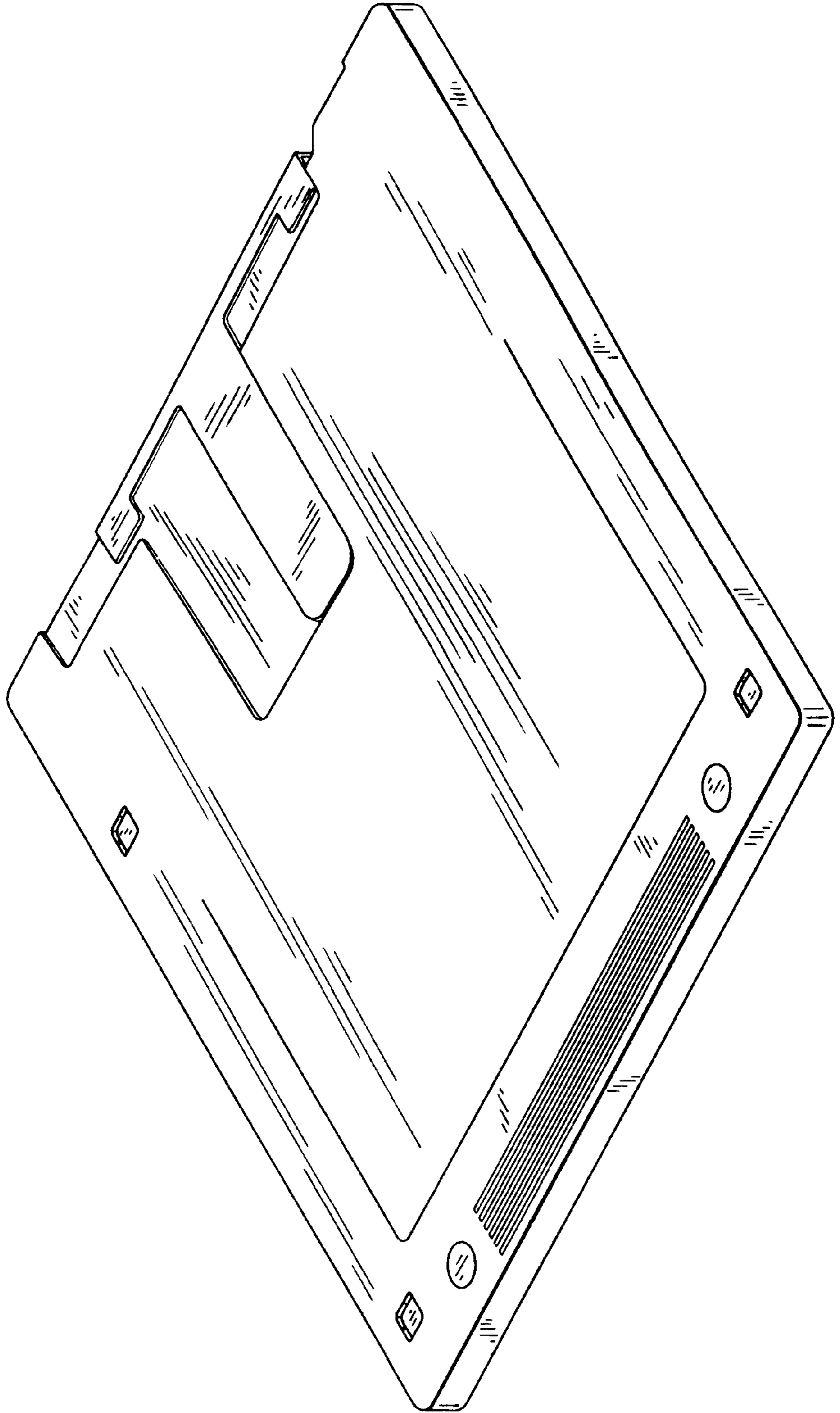


FIG. 2



FIG. 3

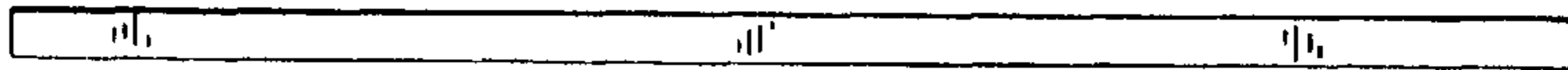


FIG. 6

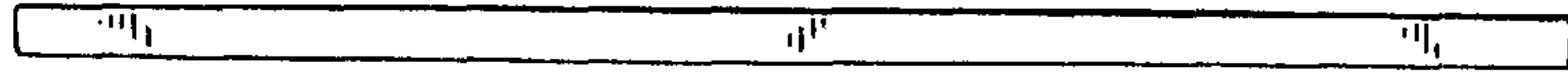


FIG. 5



FIG. 7

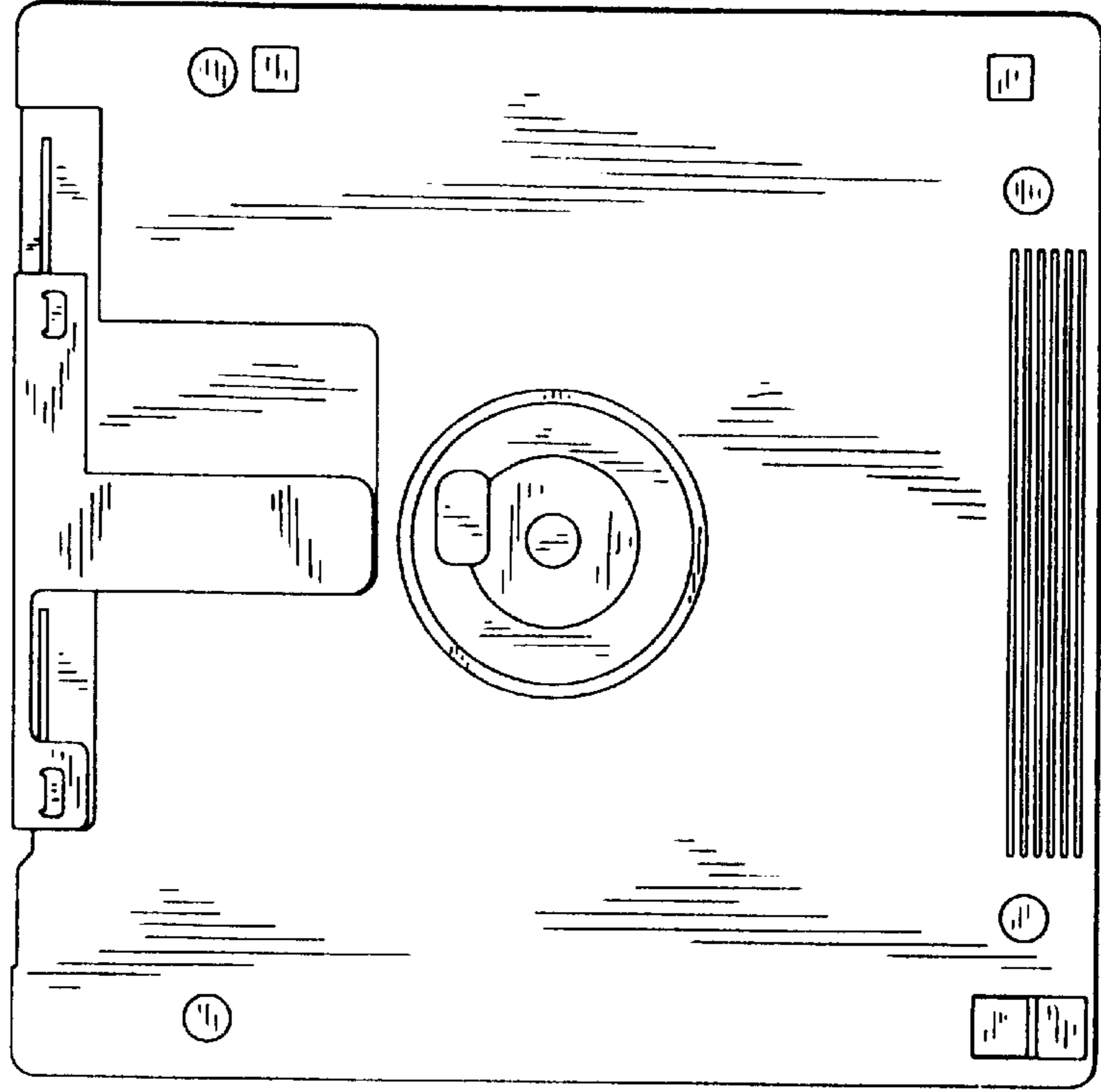


FIG. 4

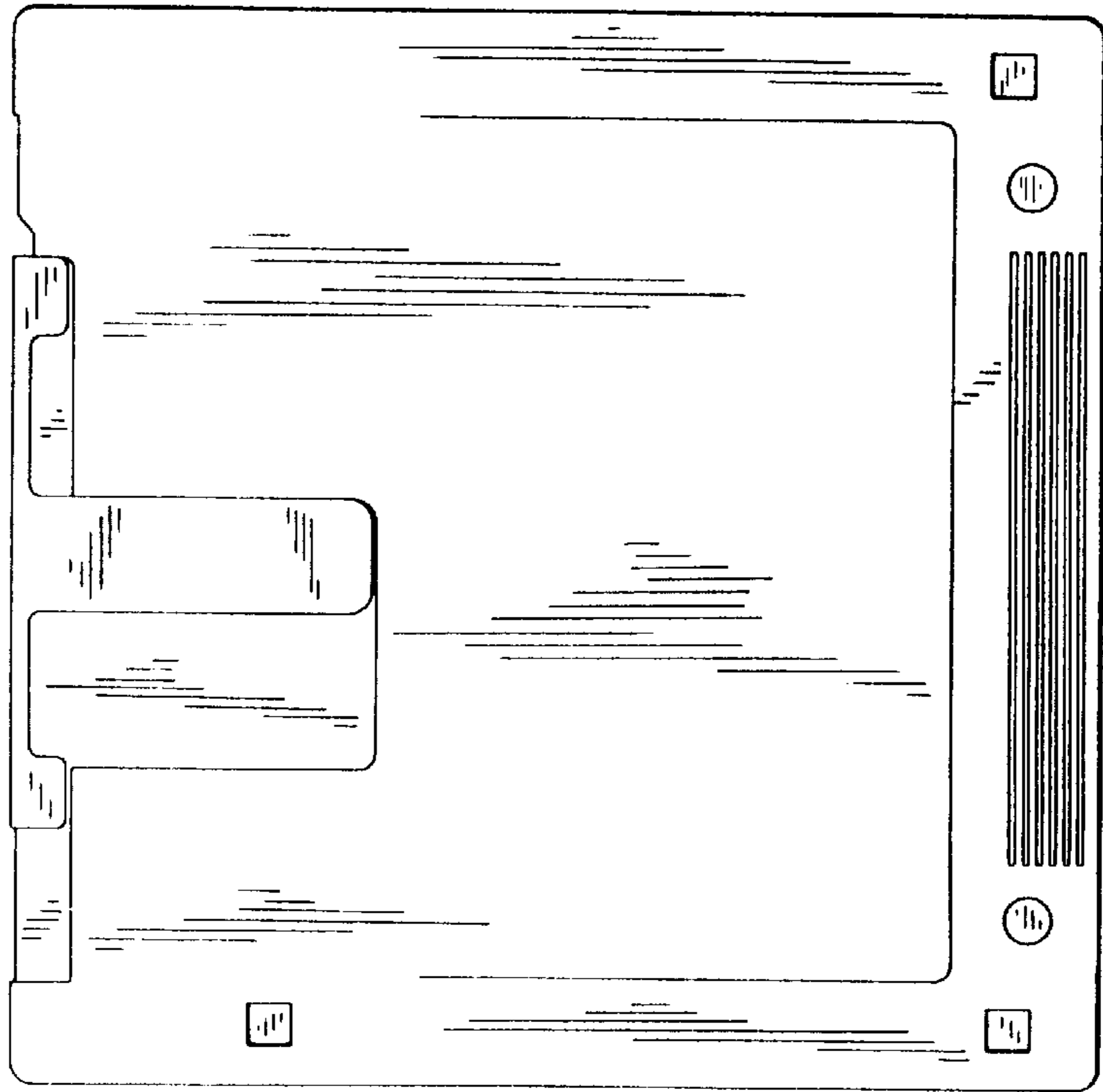


FIG. 8

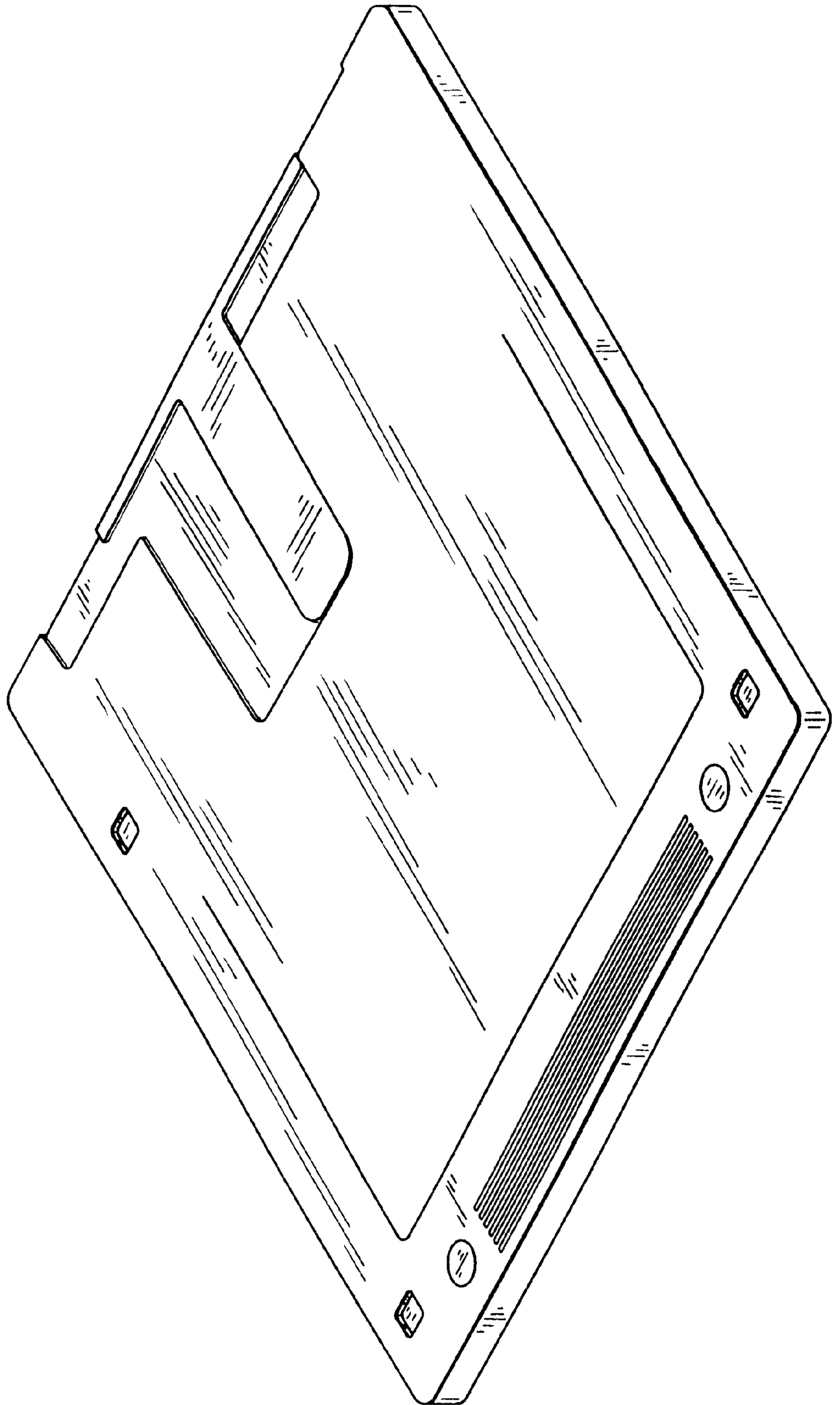


FIG. 9



FIG. 10

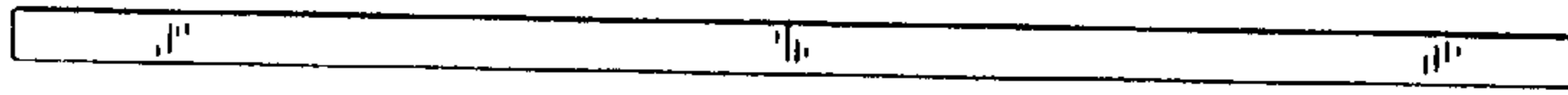


FIG. 13

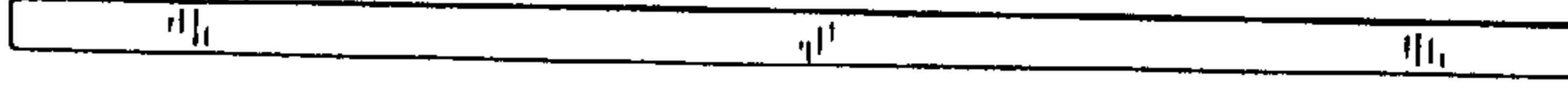


FIG. 12



FIG. 14

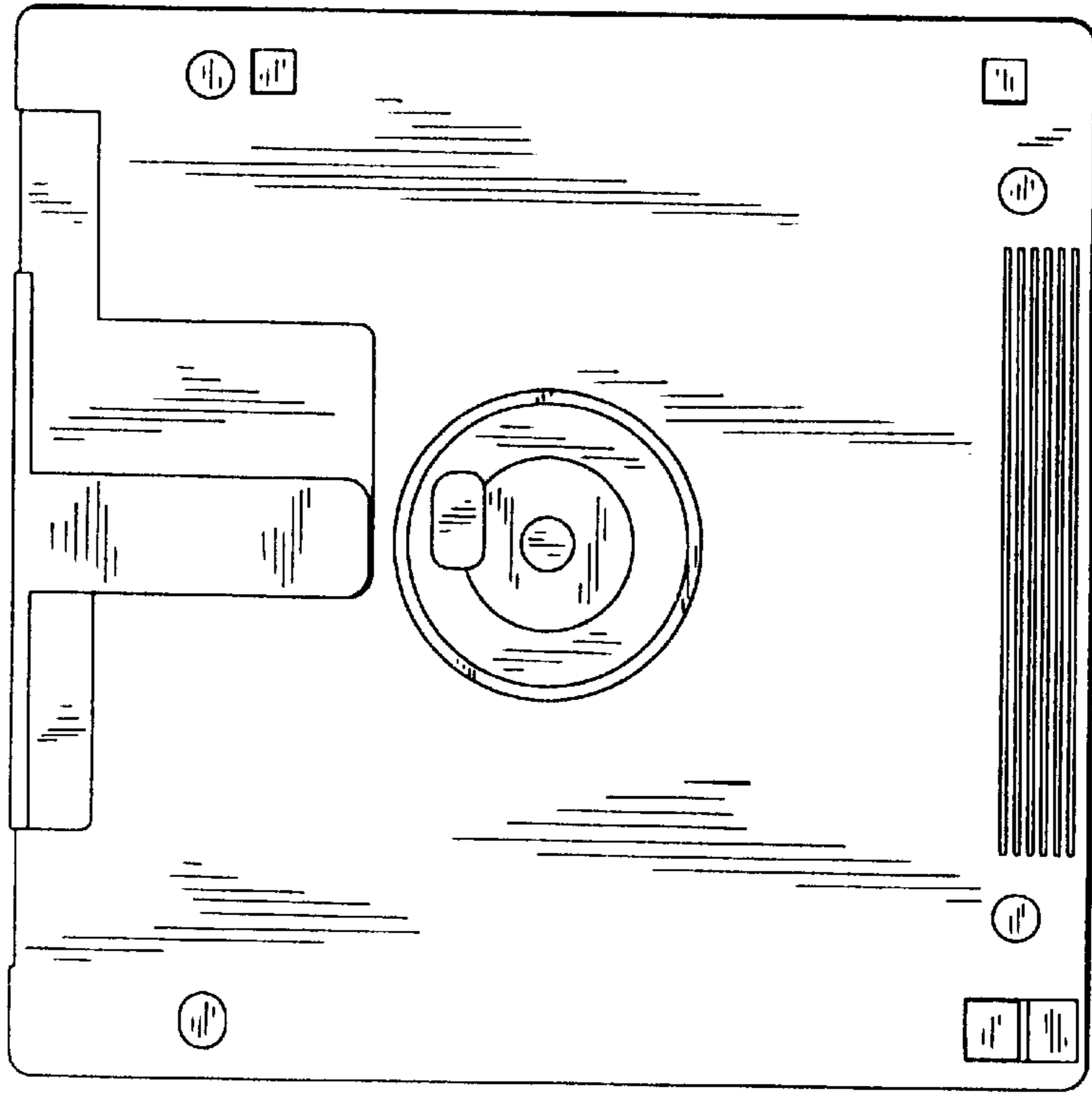


FIG. 11

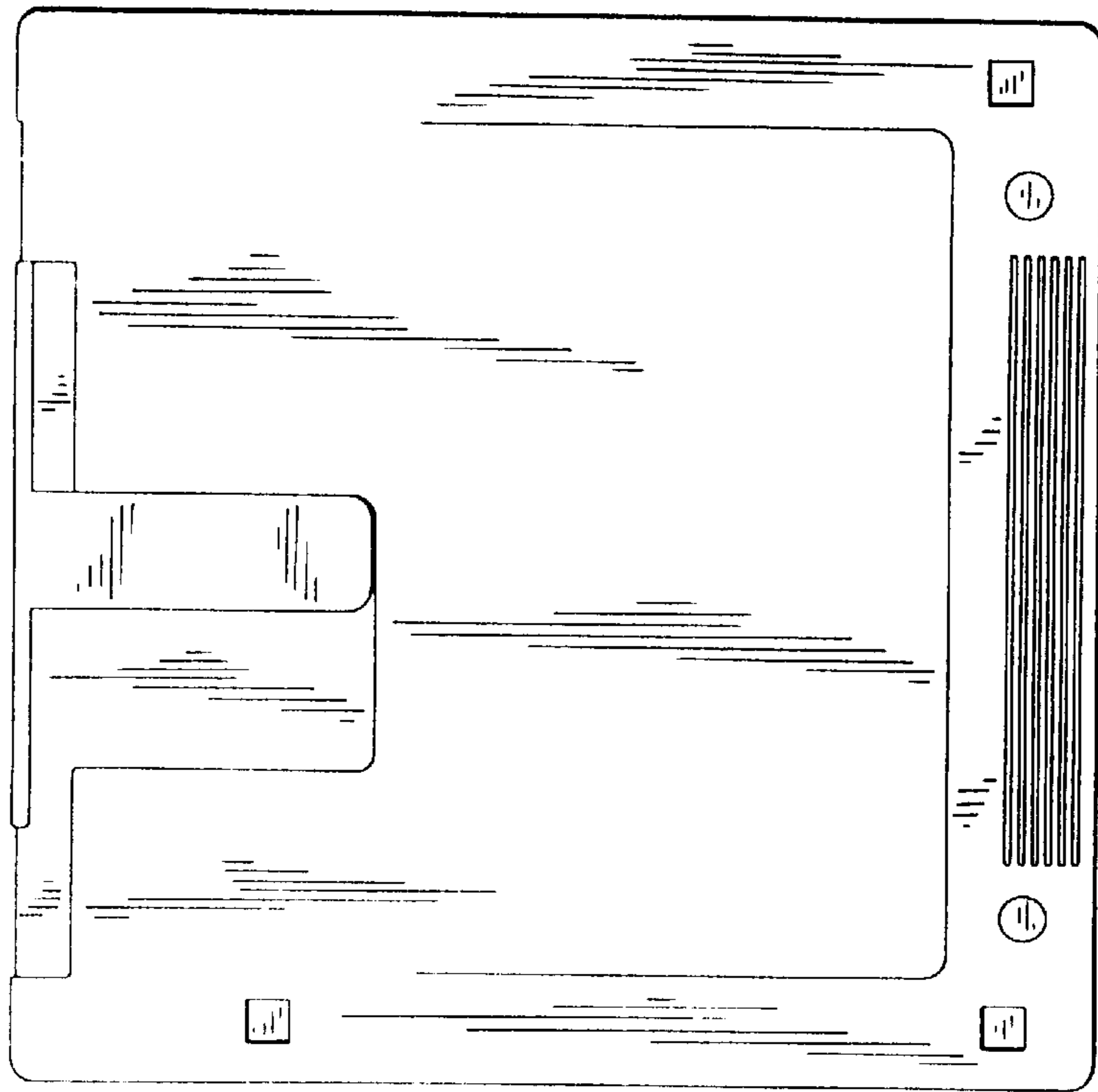


FIG. 15

