



US00D420345S

United States Patent [19]

[11] **Patent Number: Des. 420,345**

Zannetos

[45] **Date of Patent: ** Feb. 8, 2000**

[54] **COMPUTER MOUSE**

D. 392,959 3/1998 Edwards D14/114
D. 400,194 10/1998 Leifer D14/114

[76] Inventor: **Nicholas N. Zannetos**, 204 Cherry Hill Dr., Newington, Conn. 06111

Primary Examiner—Kay H. Chin

[**] Term: **14 Years**

[57] **CLAIM**

[21] Appl. No.: **29/091,289**

The ornamental design for a computer mouse, as shown and described.

[22] Filed: **Jul. 27, 1998**

DESCRIPTION

[51] **LOC (7) Cl.** **14-02**

[52] **U.S. Cl.** **D14/117.3**

[58] **Field of Search** D14/100, 114,
D14/117.1–117.9; D13/158, 147; D21/324;
D9/516, 519; 200/5 R, 5 A, 6 R, 6 A; 273/148 R;
345/156–167; 74/471 XY

FIG. 1 is a perspective view of a computer mouse showing my new design;

FIG. 2 is a left side elevational view thereof, the opposite side being a mirror image;

FIG. 3 is a front elevational view thereof;

FIG. 4 is a rear elevational view thereof;

FIG. 5 is a top plan view thereof; and,

FIG. 6 is a bottom plan view thereof.

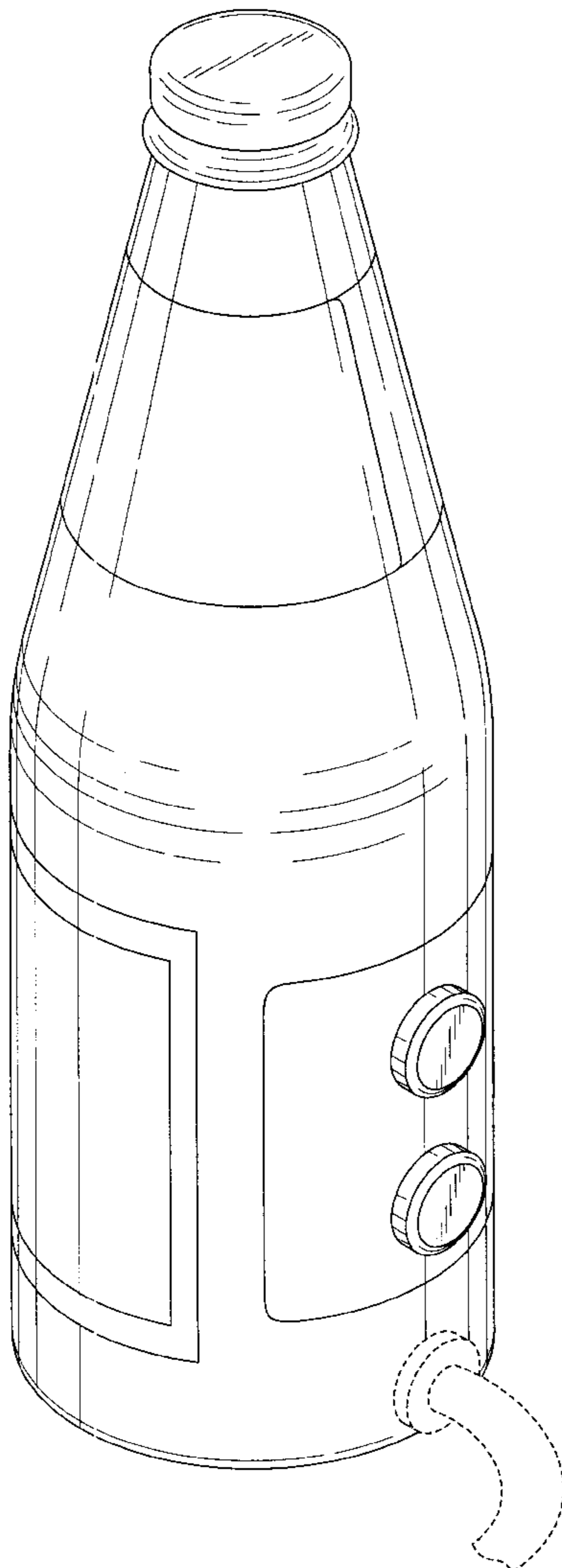
The broken line illustration shows a cord for use with the mouse and forms no part of the claimed design.

[56] **References Cited**

U.S. PATENT DOCUMENTS

D. 371,350 7/1996 Chavarria D14/114
D. 371,772 7/1996 Bird et al. D14/114
D. 390,210 2/1998 Bickford et al. D14/114

1 Claim, 3 Drawing Sheets



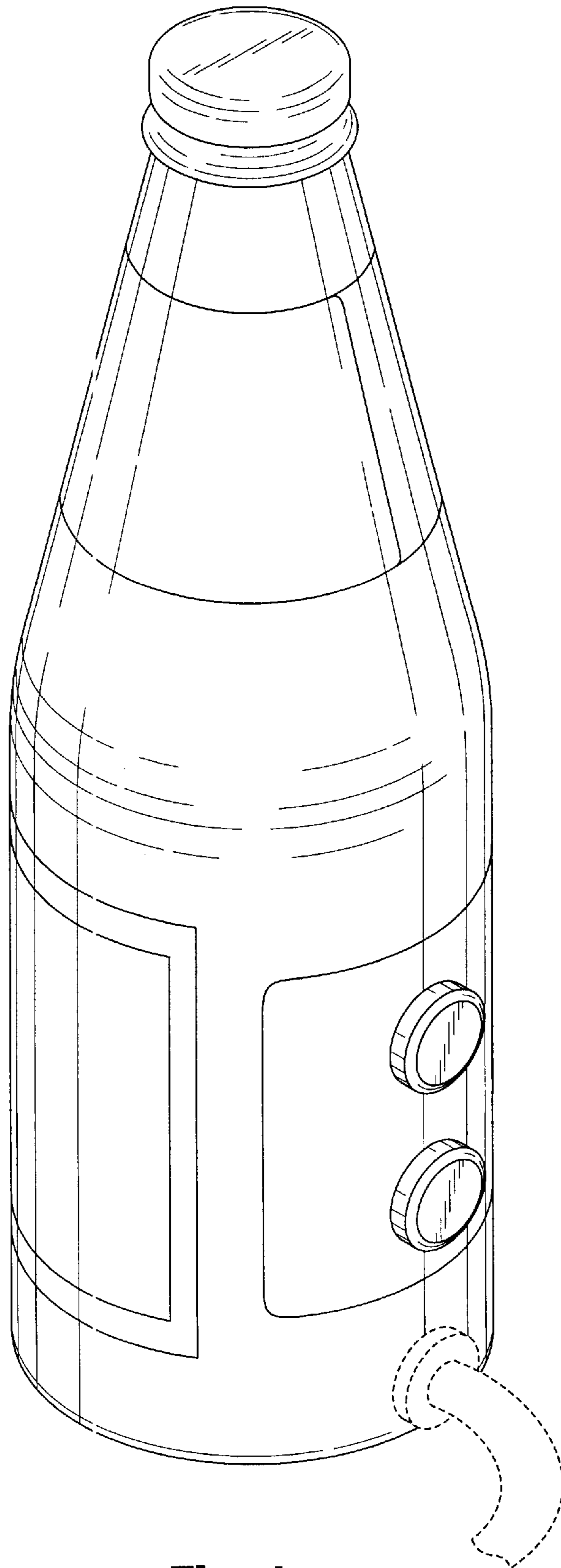


Fig. 1

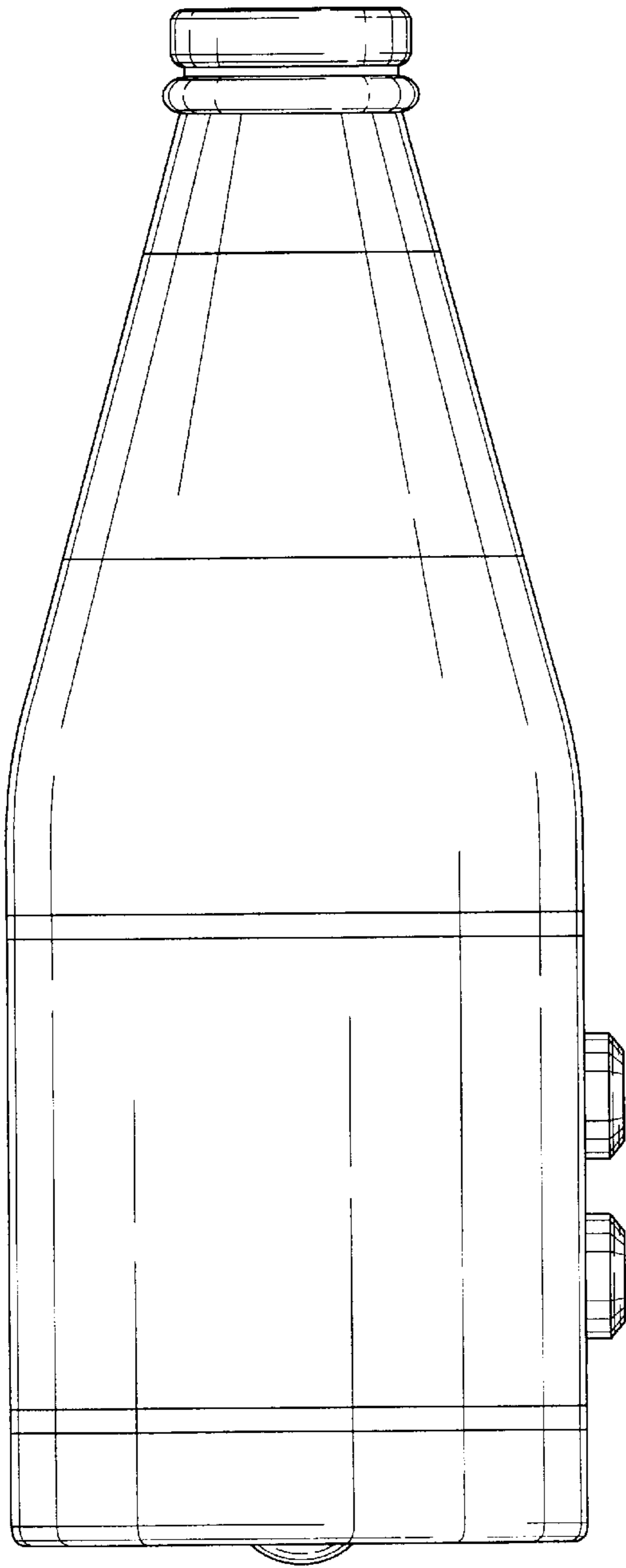


Fig. 2

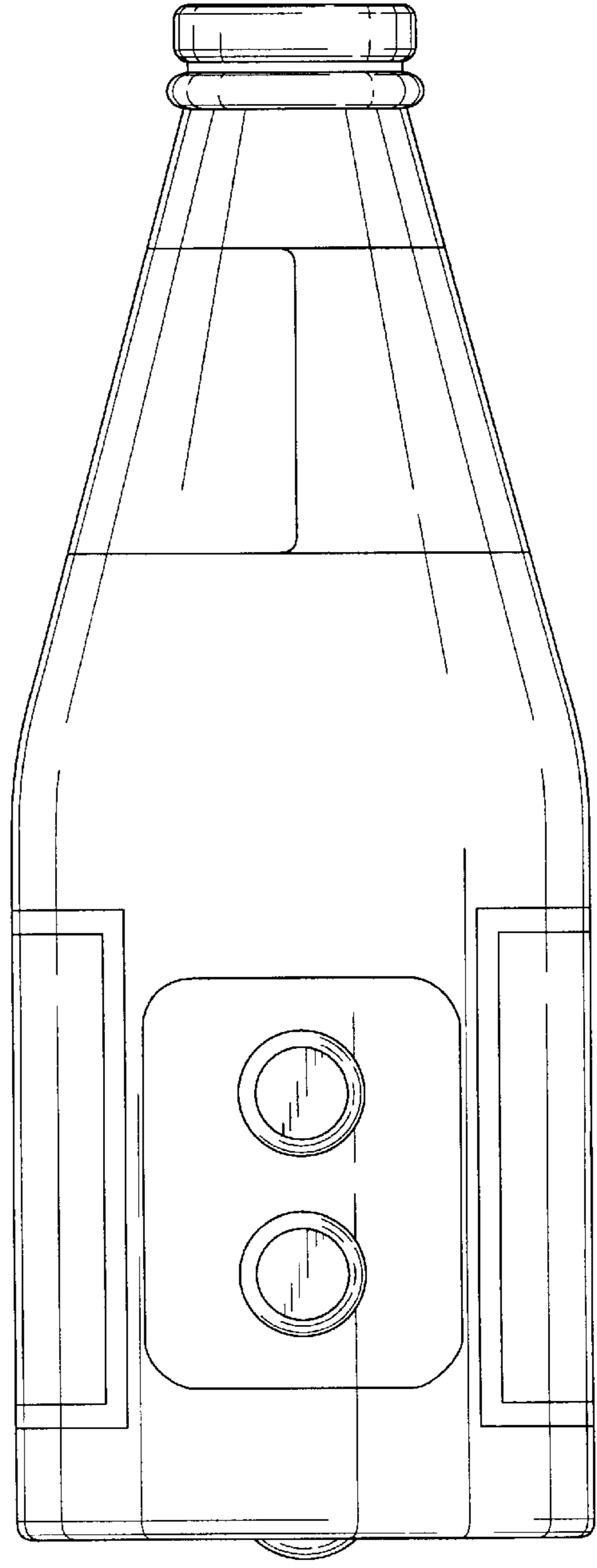


Fig. 3

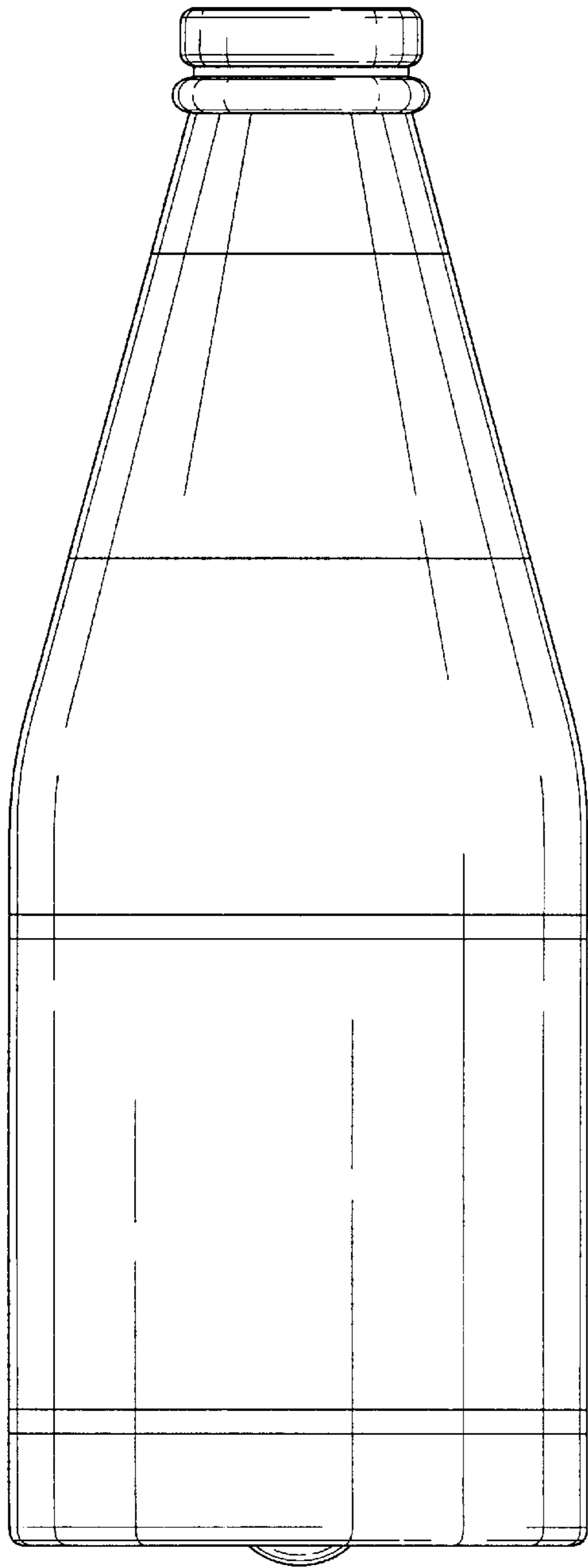


Fig. 4

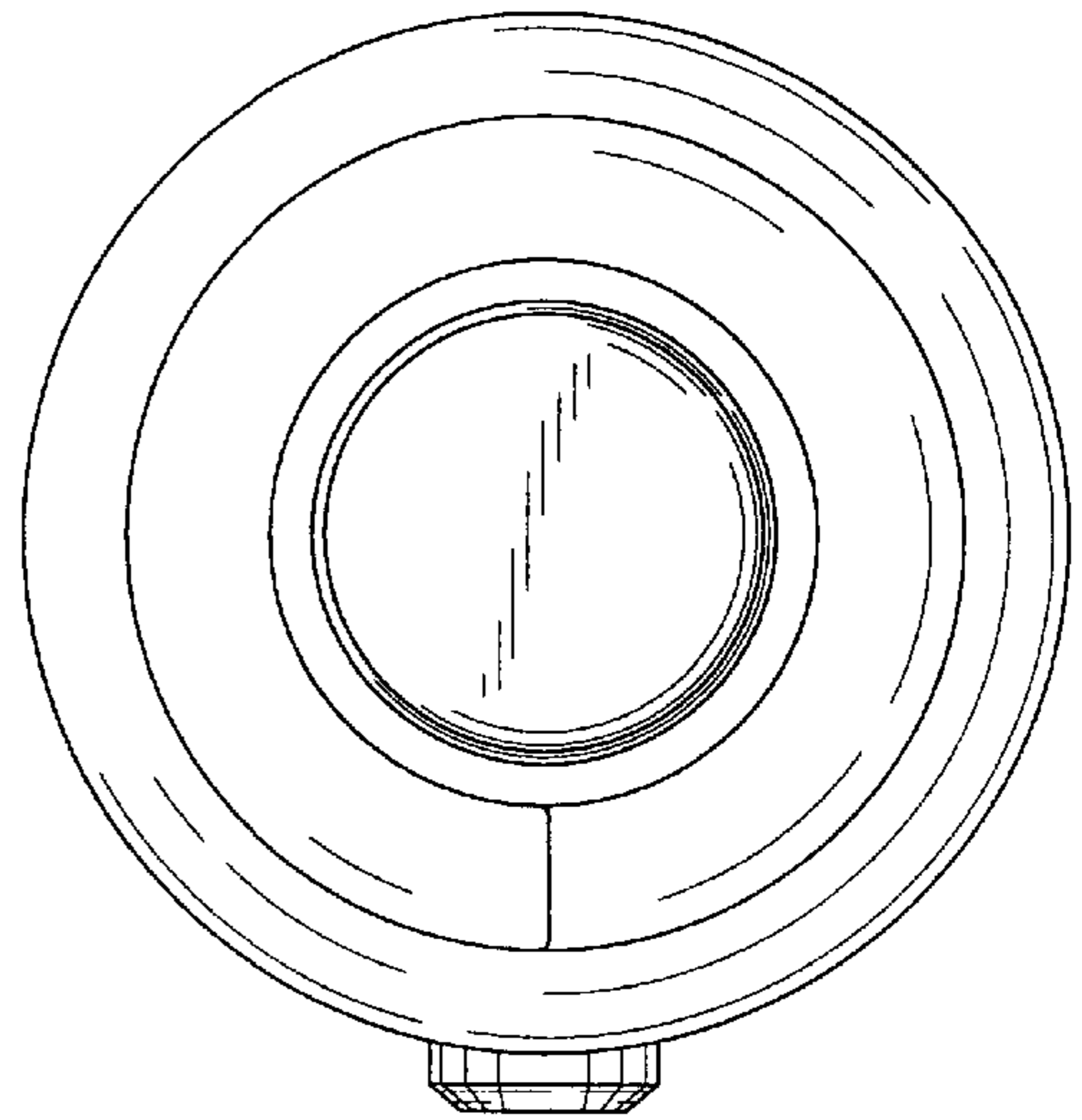


Fig. 5

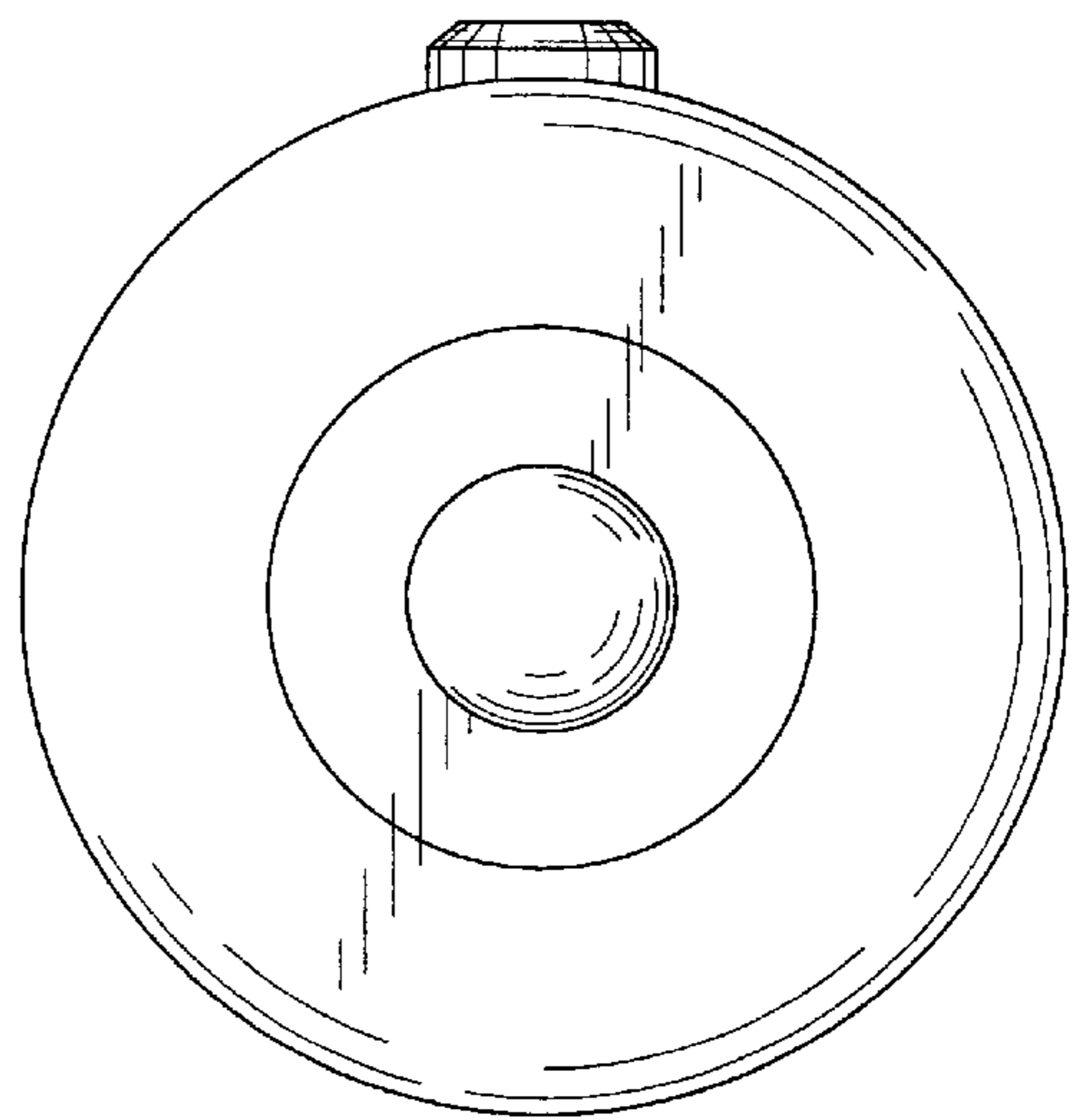


Fig. 6