



US00D420335S

United States Patent [19]

Salas et al.

[11] Patent Number: **Des. 420,335**

[45] Date of Patent: **** Feb. 8, 2000**

[54] **LOCATION DEVICE**

[75] Inventors: **Andrew A. Salas**, Westampton, N.J.;
Oleg S. Fishman, Maple Glen, Pa.;
Adrian M. Escriba, Sr., Mt. Laurel, N.J.

[73] Assignee: **Inductotherm Corp.**, Rancocas, N.J.

[**] Term: **14 Years**

[21] Appl. No.: **29/082,166**

[22] Filed: **Jan. 16, 1998**

[51] **LOC (7) Cl.** **13-03**

[52] **U.S. Cl.** **D13/182; D8/395; D8/396**

[58] **Field of Search** **D8/394-397, 399;**
D13/149, 182, 199; 24/563; 174/16.3, 94 R;
257/181, 688, 719, 727; 248/27.3; 361/714,
718

[56] **References Cited**

U.S. PATENT DOCUMENTS

3,226,466	12/1965	Martin	174/16.3
3,287,604	11/1966	Mroz et al.	361/714
3,340,352	9/1967	Teagno et al.	174/94 R
3,471,757	10/1969	Sias	257/726
3,603,381	9/1971	Scberbaum et al.	165/80.4
3,812,557	5/1974	Meyer	257/181 X
3,867,003	2/1975	Morton et al.	439/485

4,159,489	6/1979	Bettin	257/727
4,220,808	9/1980	Fujita	248/27.3 X
4,403,102	9/1983	Jordan et al.	174/16.3

Primary Examiner—Alan P. Douglas
Assistant Examiner—Lavone D. Tabor
Attorney, Agent, or Firm—Seidel, Gonda, Lavorgna & Monaco, PC

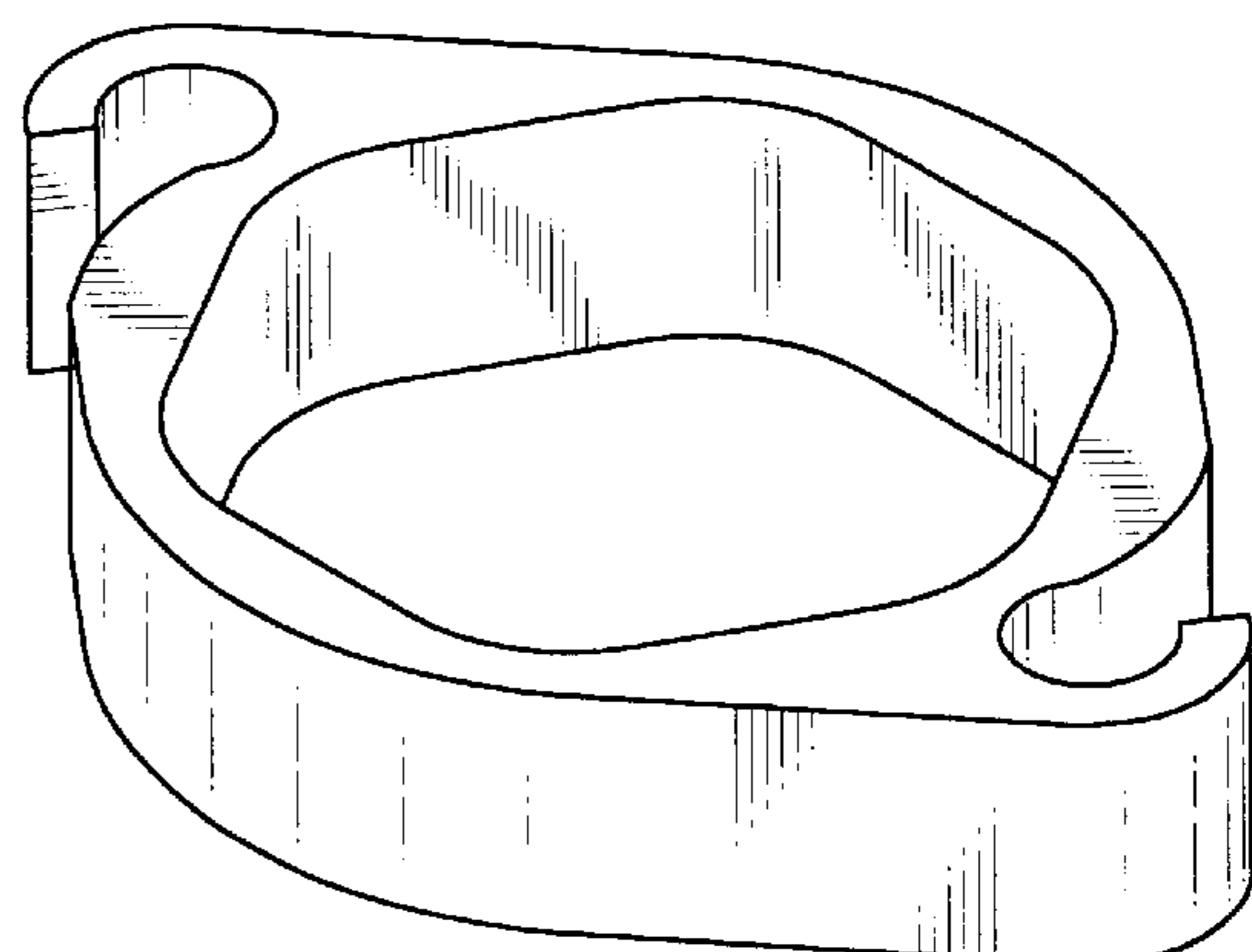
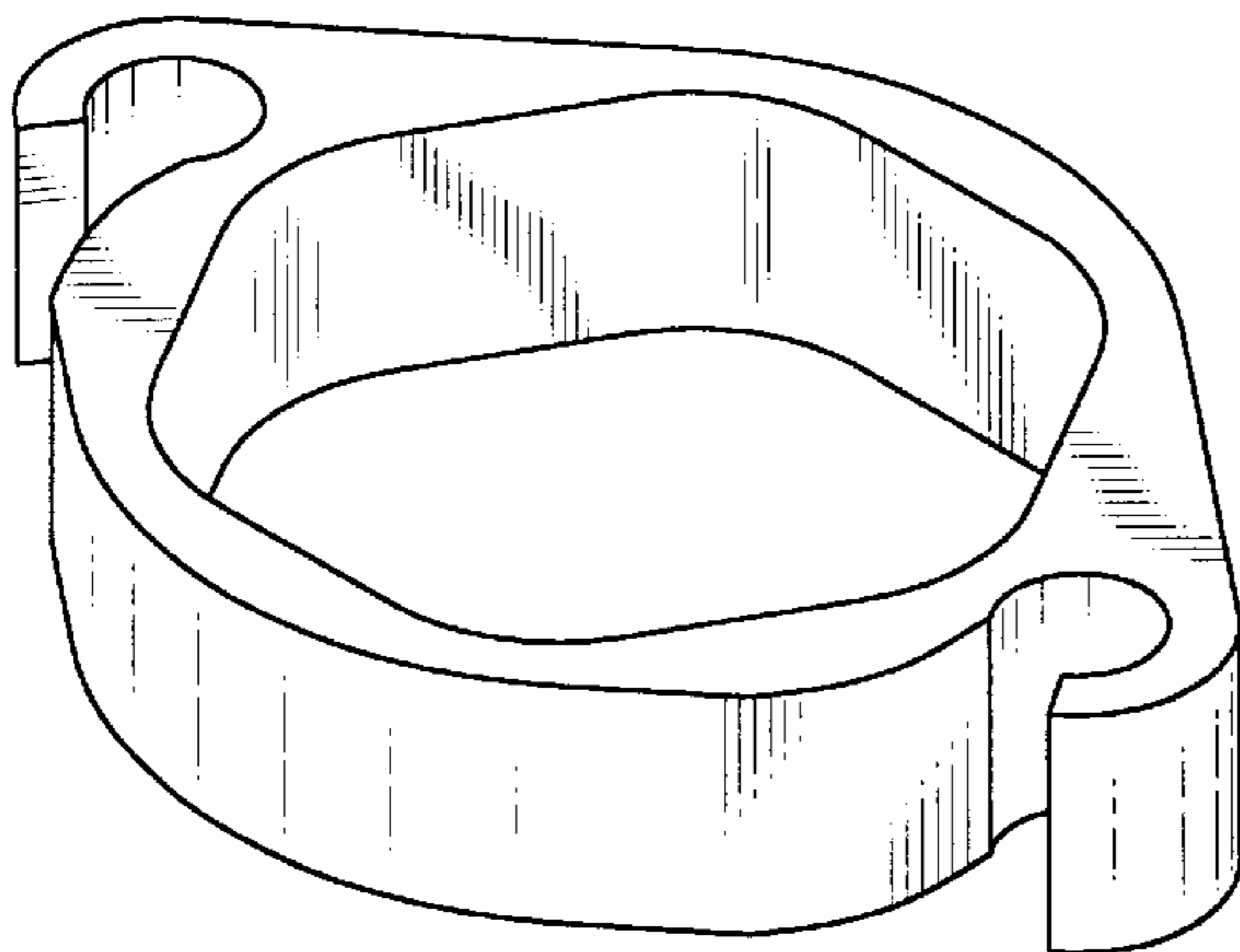
[57] **CLAIM**

The ornamental design of a location device, as shown and described.

DESCRIPTION

FIG. 1 is a perspective view of a first embodiment of a location device showing our new design; FIG. 2 is a top plan view thereof; FIG. 3 is a right side elevation view thereof; FIG. 4 is a left side elevation view thereof; FIG. 5 is a front elevation view thereof; FIG. 6 is a rear elevation view thereof; FIG. 7 is a perspective view of a second embodiment of the location device; FIG. 8 is a top plan view of FIG. 7; FIG. 9 is a right side elevation view of FIG. 7, the left side being identical; FIG. 10 is a front elevation view of FIG. 7; and, FIG. 11 is an inverted rear elevation view of FIG. 7.

1 Claim, 4 Drawing Sheets



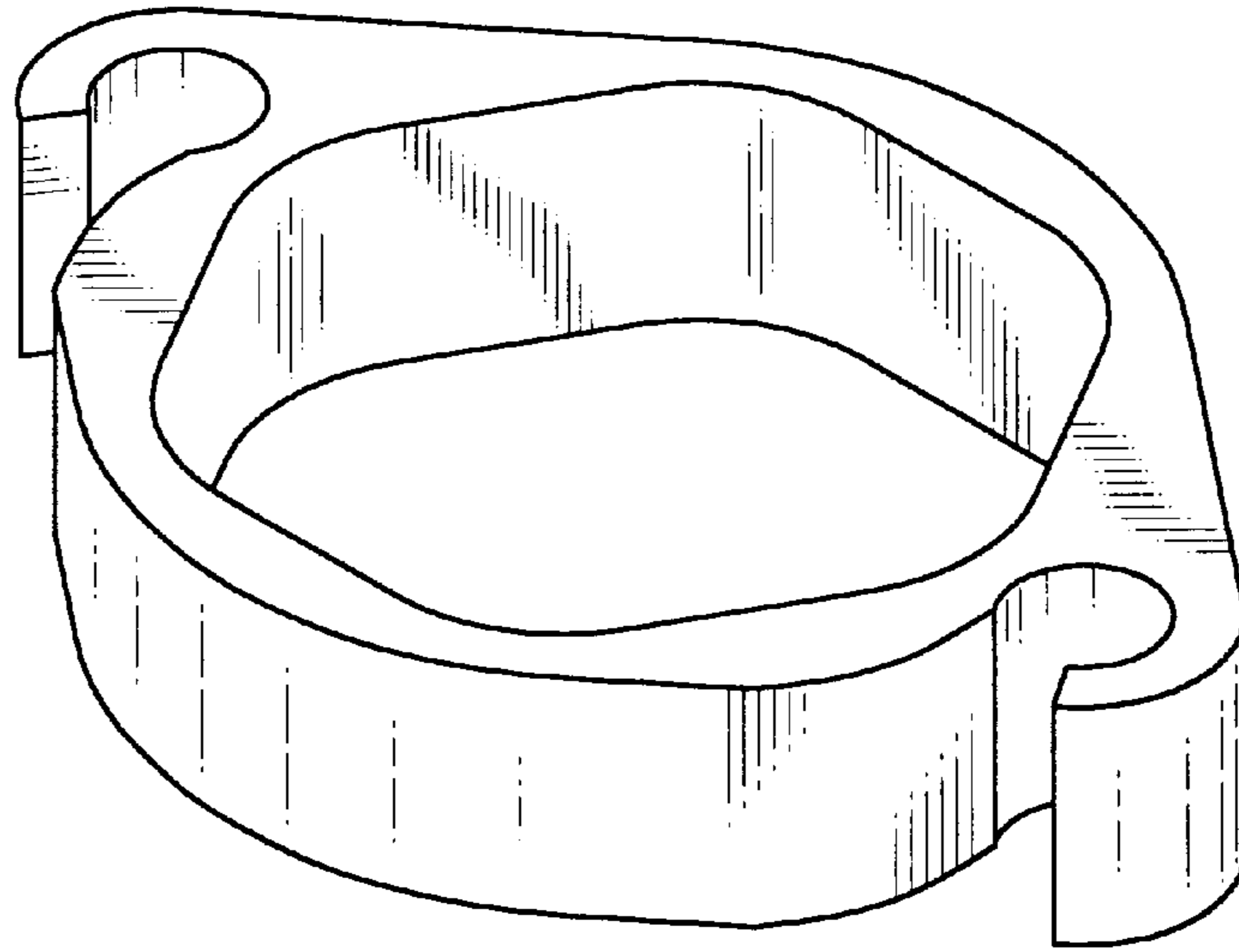


FIG. 1

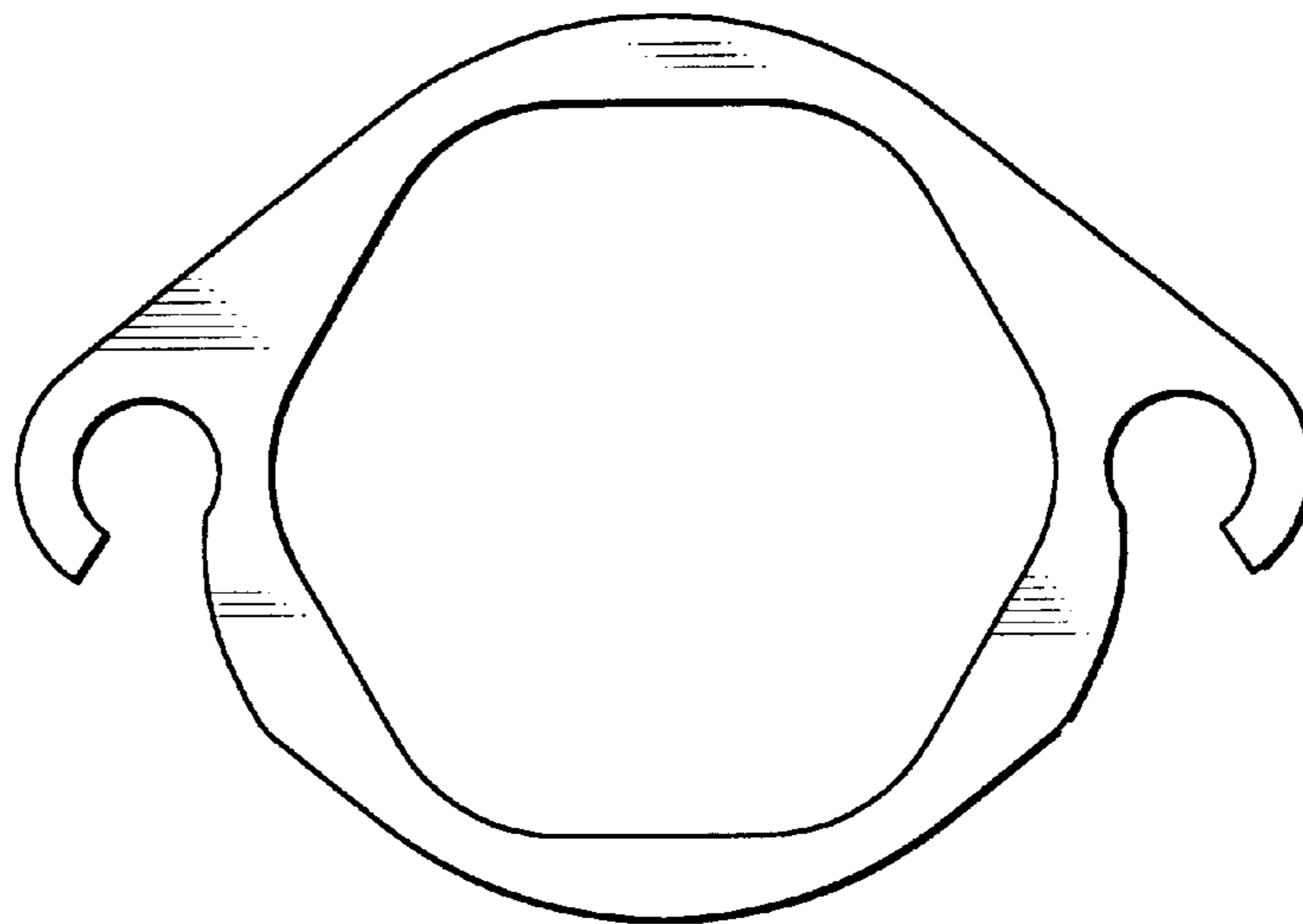


FIG. 2



FIG. 3

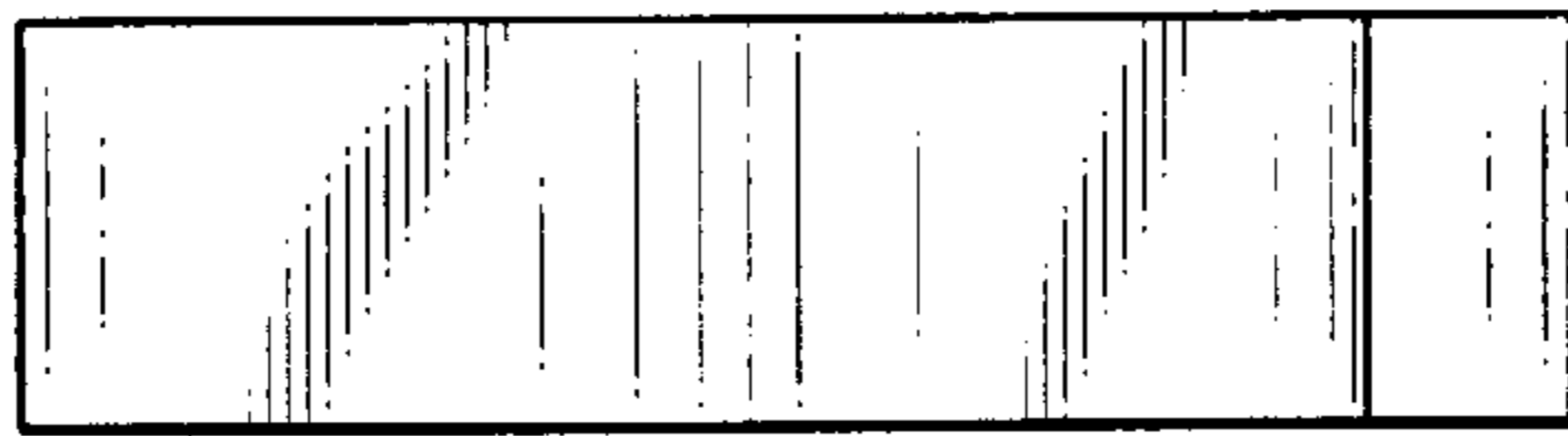


FIG. 4

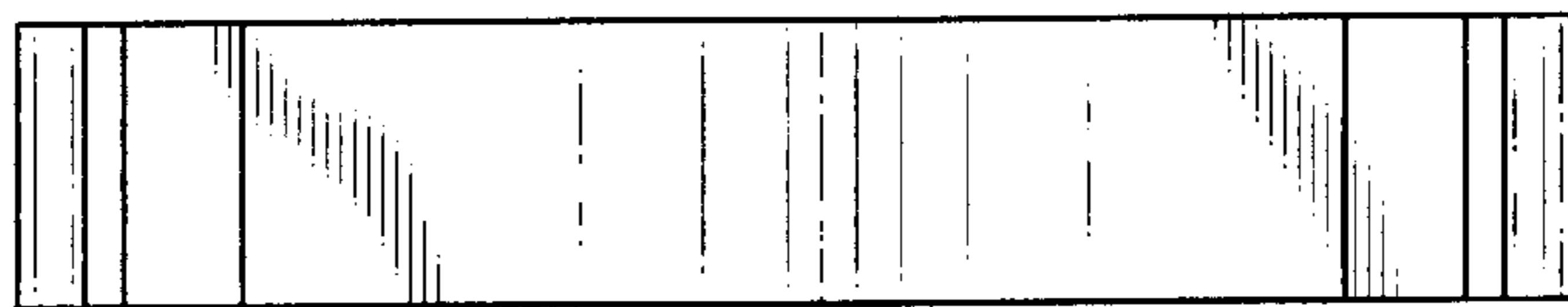


FIG. 5

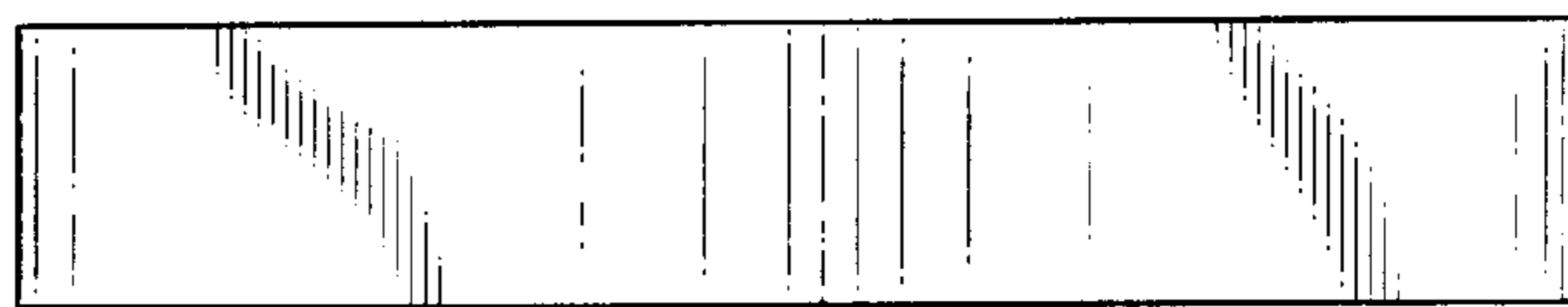


FIG. 6

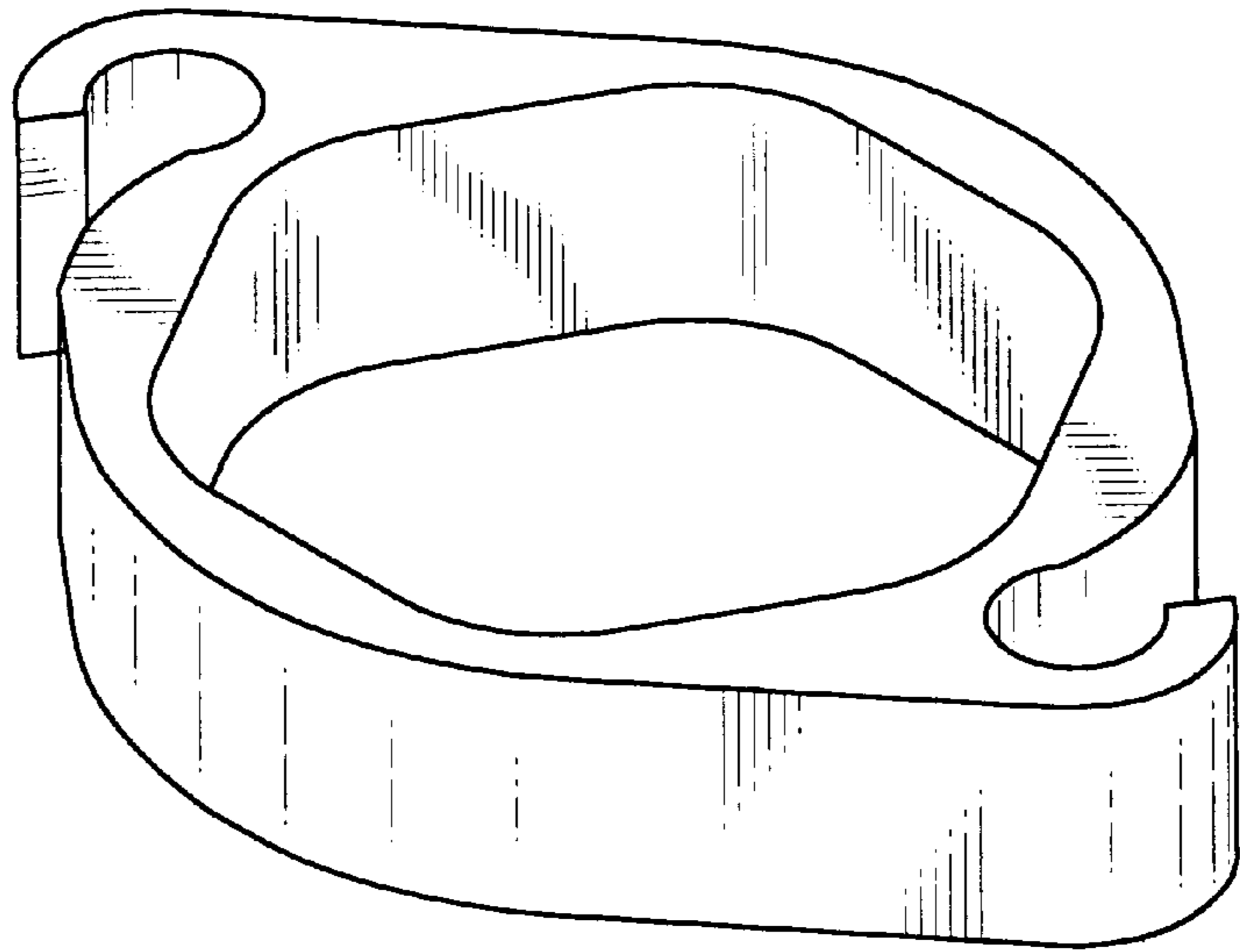


FIG. 7

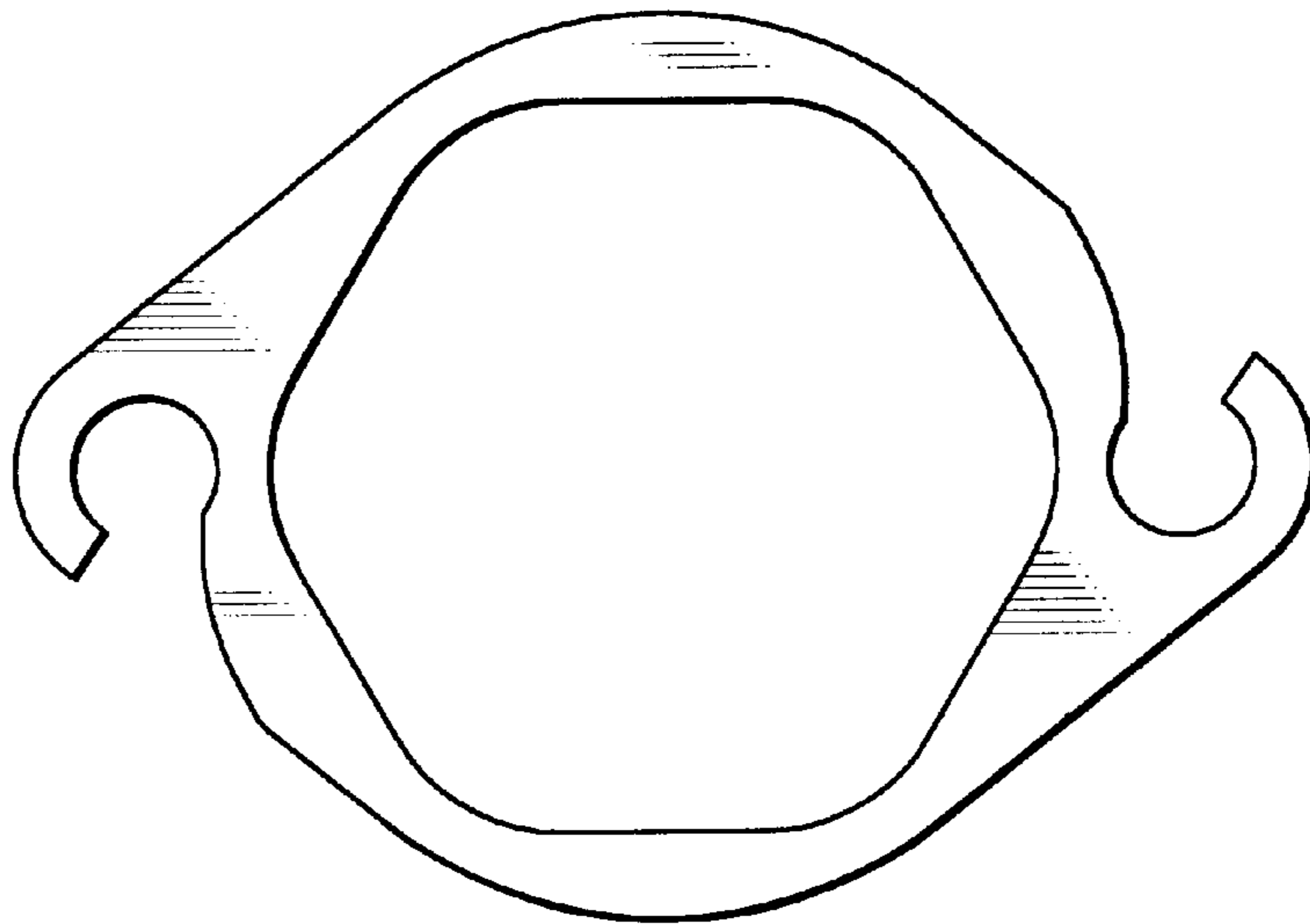


FIG. 8

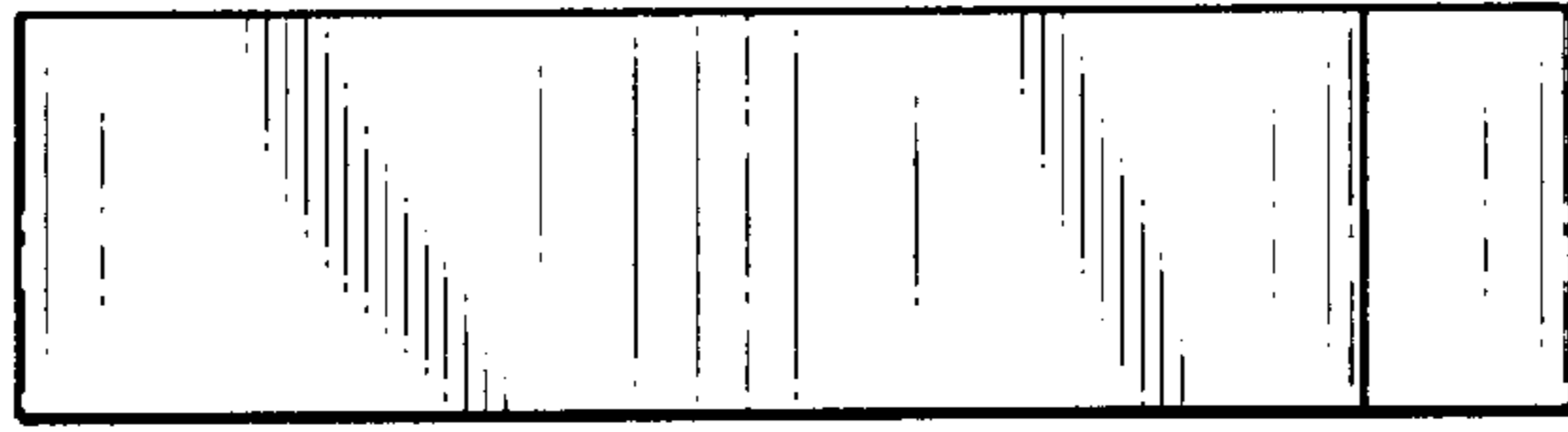


FIG. 9

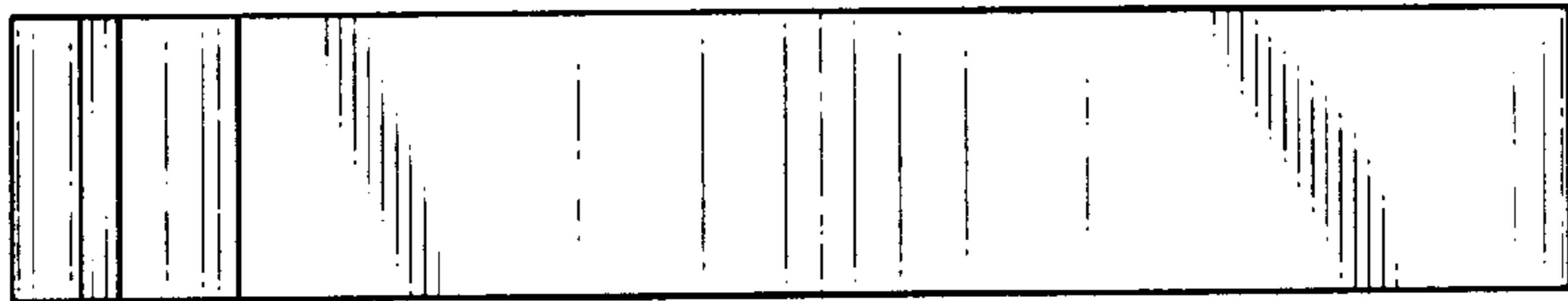


FIG. 10

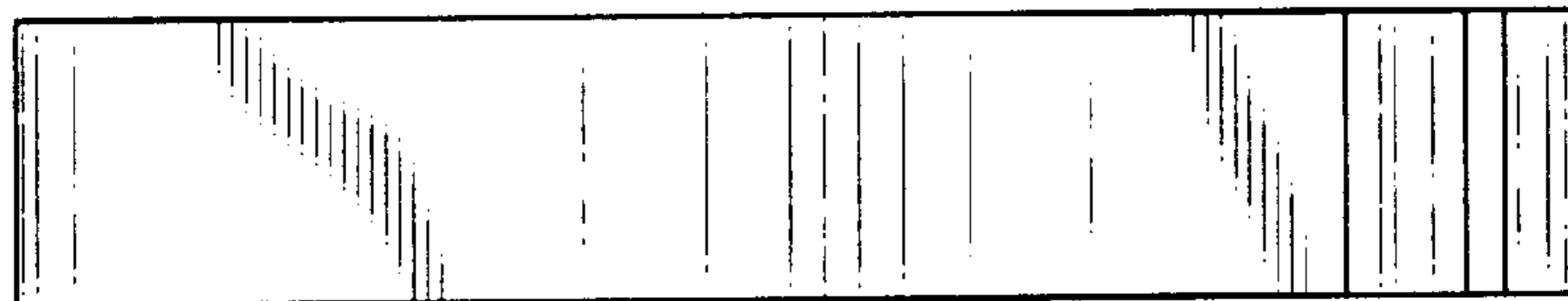


FIG. 11