



US00D420333S

United States Patent [19] Starkey

[11] **Patent Number: Des. 420,333**

[45] **Date of Patent: ** Feb. 8, 2000**

[54] **K.O. SWITCH CONNECTOR**

[75] Inventor: **Glenn Starkey**, North Barrington, Ill.

[73] Assignee: **Progressive Components International Corporation**, Wauconda, Ill.

[**] Term: **14 Years**

[21] Appl. No.: **29/089,117**

[22] Filed: **Jun. 8, 1998**

[51] **LOC (7) Cl. 13-03**

[52] **U.S. Cl. D13/169**

[58] **Field of Search D13/158, 160, D13/168, 169; 174/51, 52.1; 200/277.2, 315, 339, 553**

[56] **References Cited**

U.S. PATENT DOCUMENTS

D. 189,579	1/1961	Larkin	D13/169
D. 221,664	8/1971	Russenberger	D13/169
D. 388,397	12/1997	Larizza	D13/168
4,015,070	3/1977	Theurer	174/52.1

OTHER PUBLICATIONS

Modern Plastics, (Mercury switch), Jul. 1952.

Primary Examiner—Adir Aronovich

Attorney, Agent, or Firm—Fitch, Even, Tabin & Flannery

[57] **CLAIM**

The ornamental design for a K.O. switch connector, as shown and described.

DESCRIPTION

FIG. 1 is a perspective view of a K.O. switch connector according to our design;

FIG. 2 is a top plan view of the K.O. switch connector of FIG. 1;

FIG. 3 is a front side elevational view of the K.O. switch connector of FIG. 1;

FIG. 4 is an end elevational view of the right side of the K.O. switch connector of FIG. 1.

FIG. 5 is a bottom plan view of the K.O. switch connector of FIG. 1; and,

FIG. 6 is an end elevational view of the left side of the K.O. switch connector of FIG. 1.

1 Claim, 1 Drawing Sheet

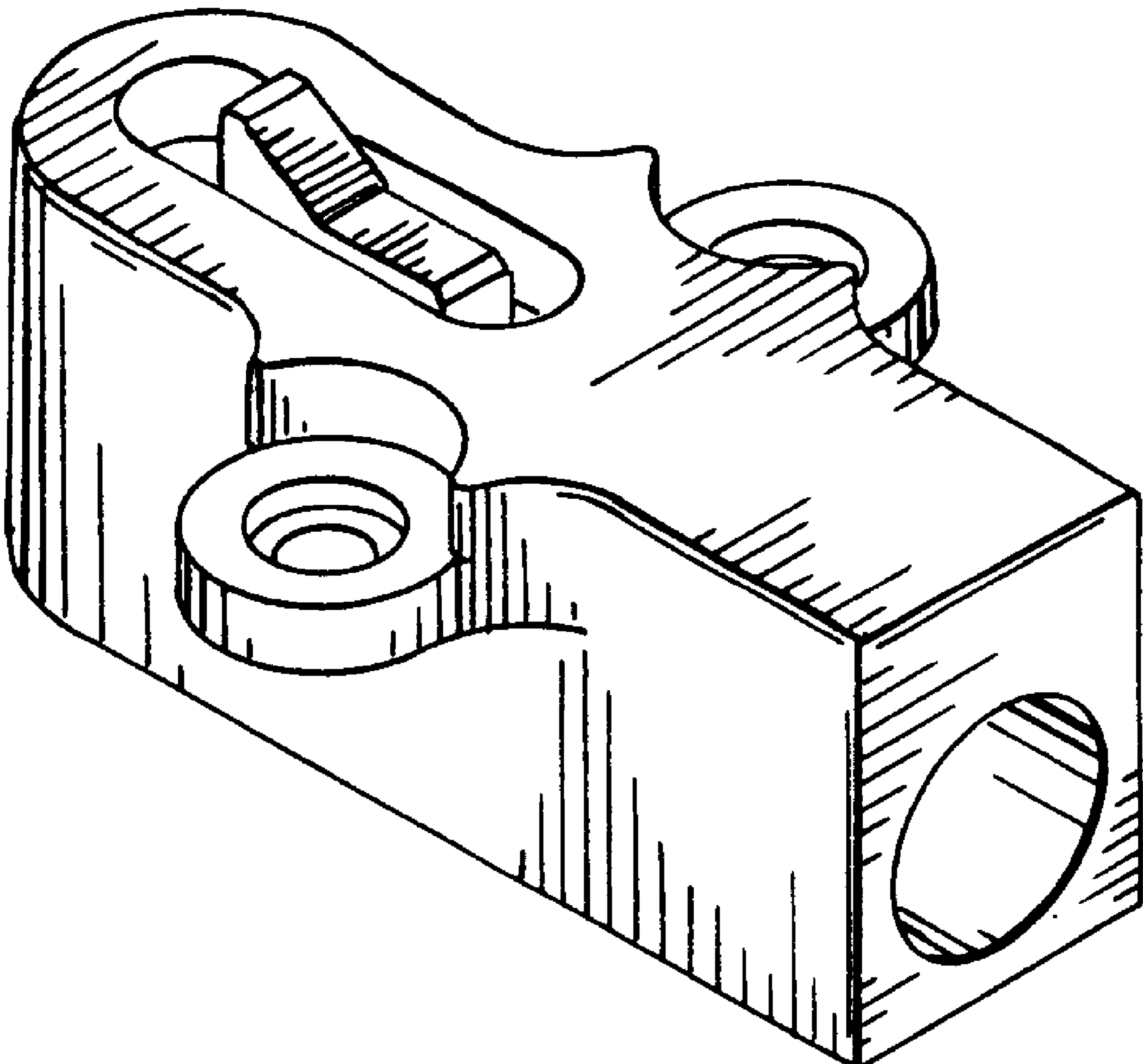


FIG. 1

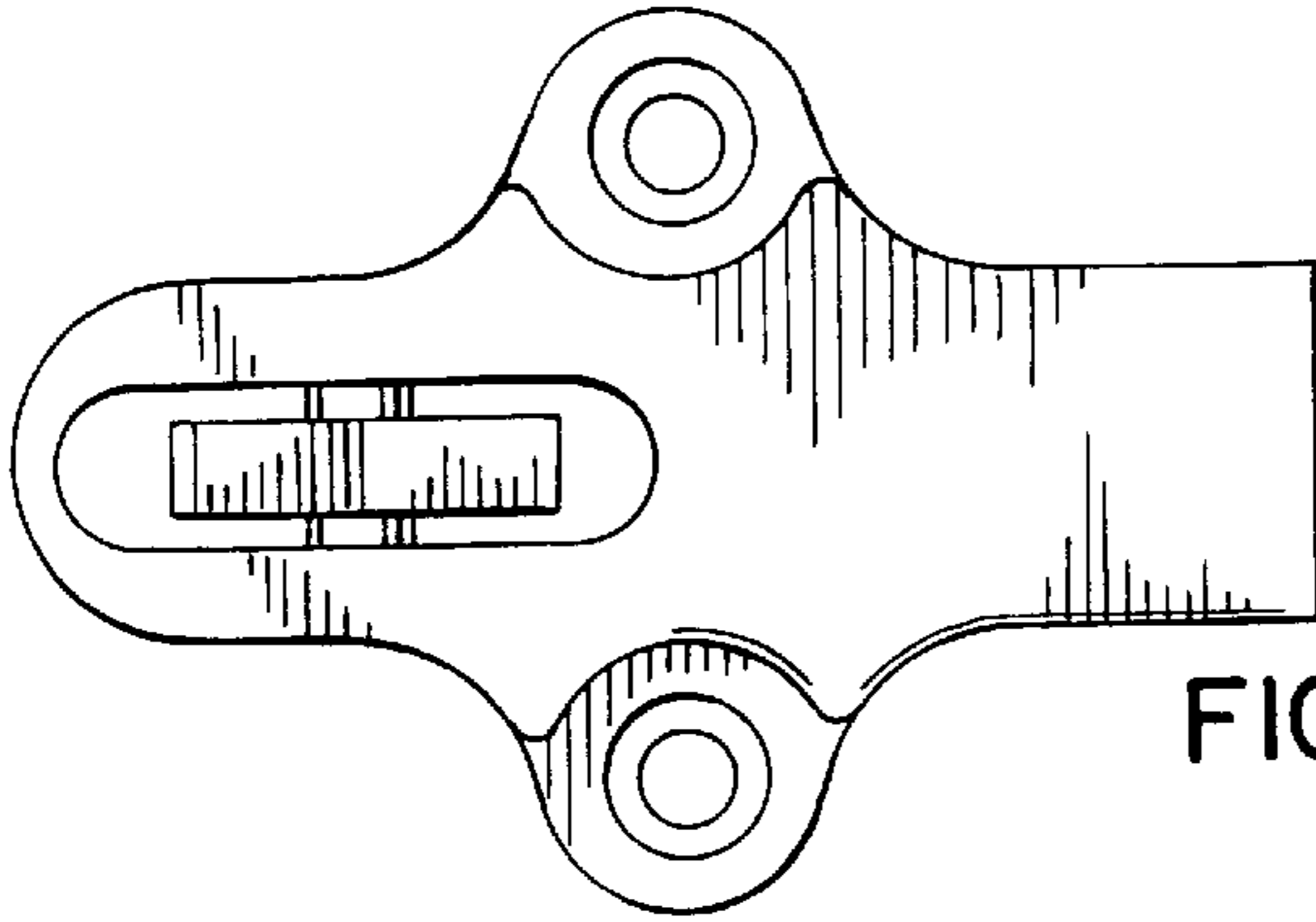
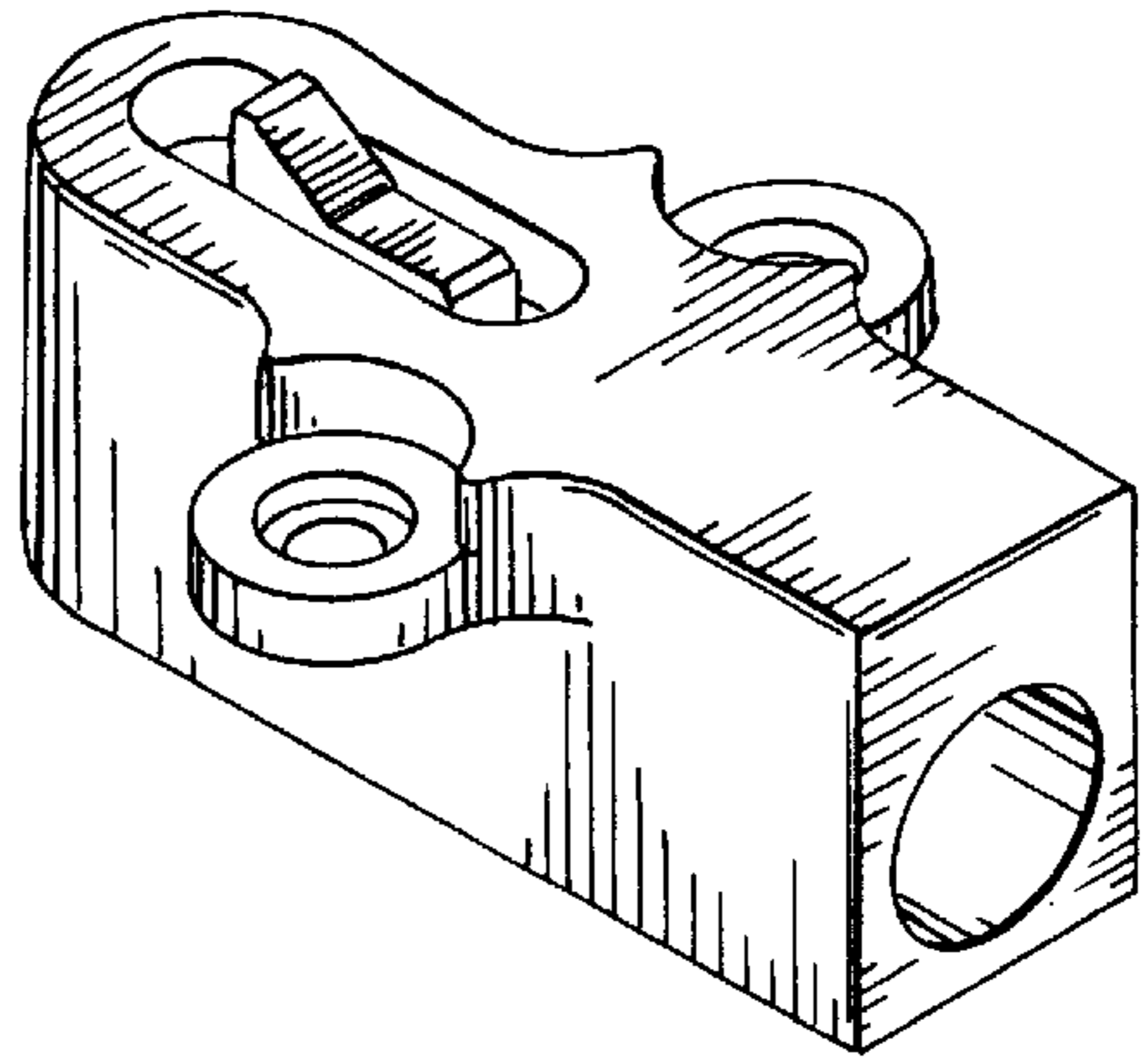


FIG. 2

FIG. 3

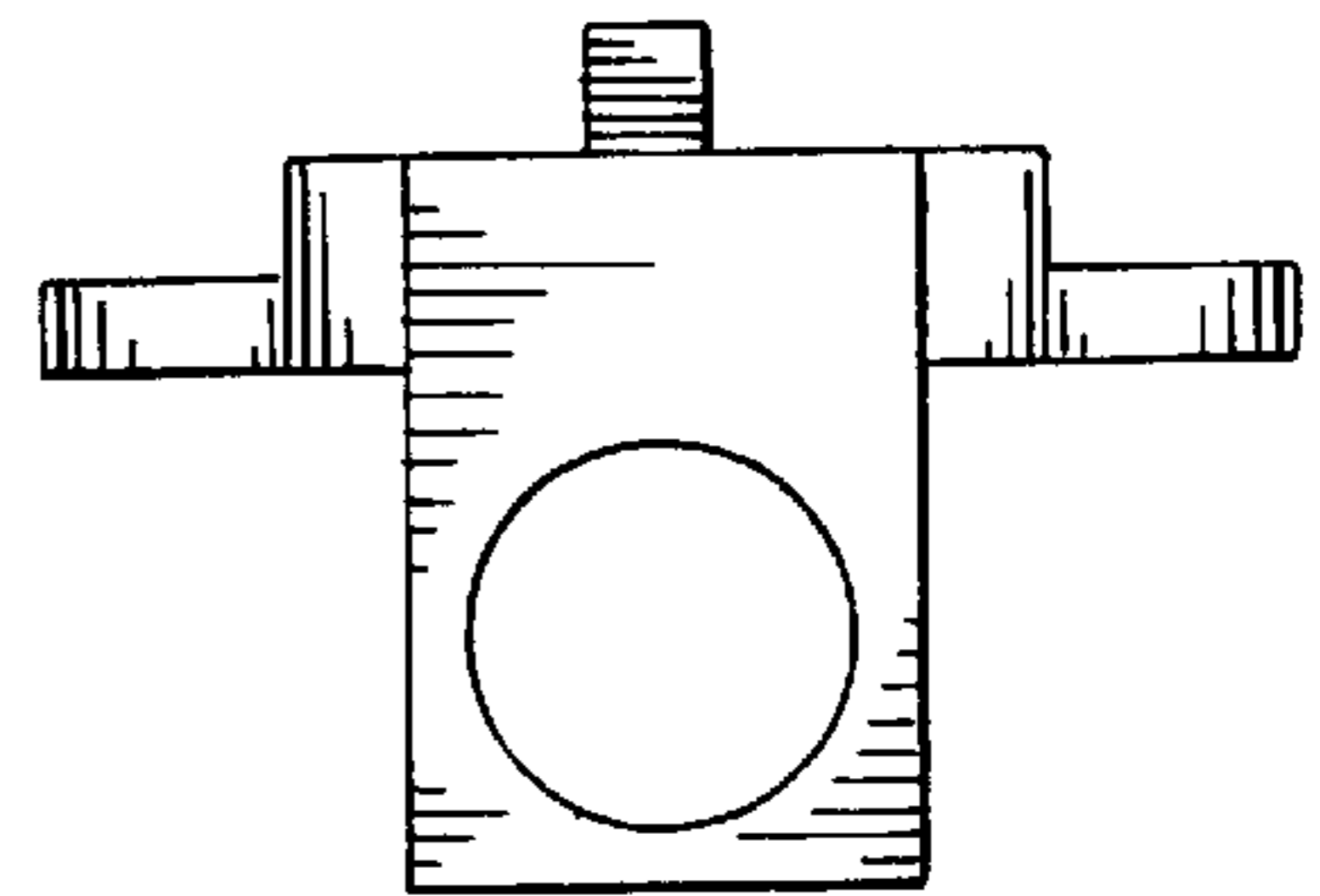
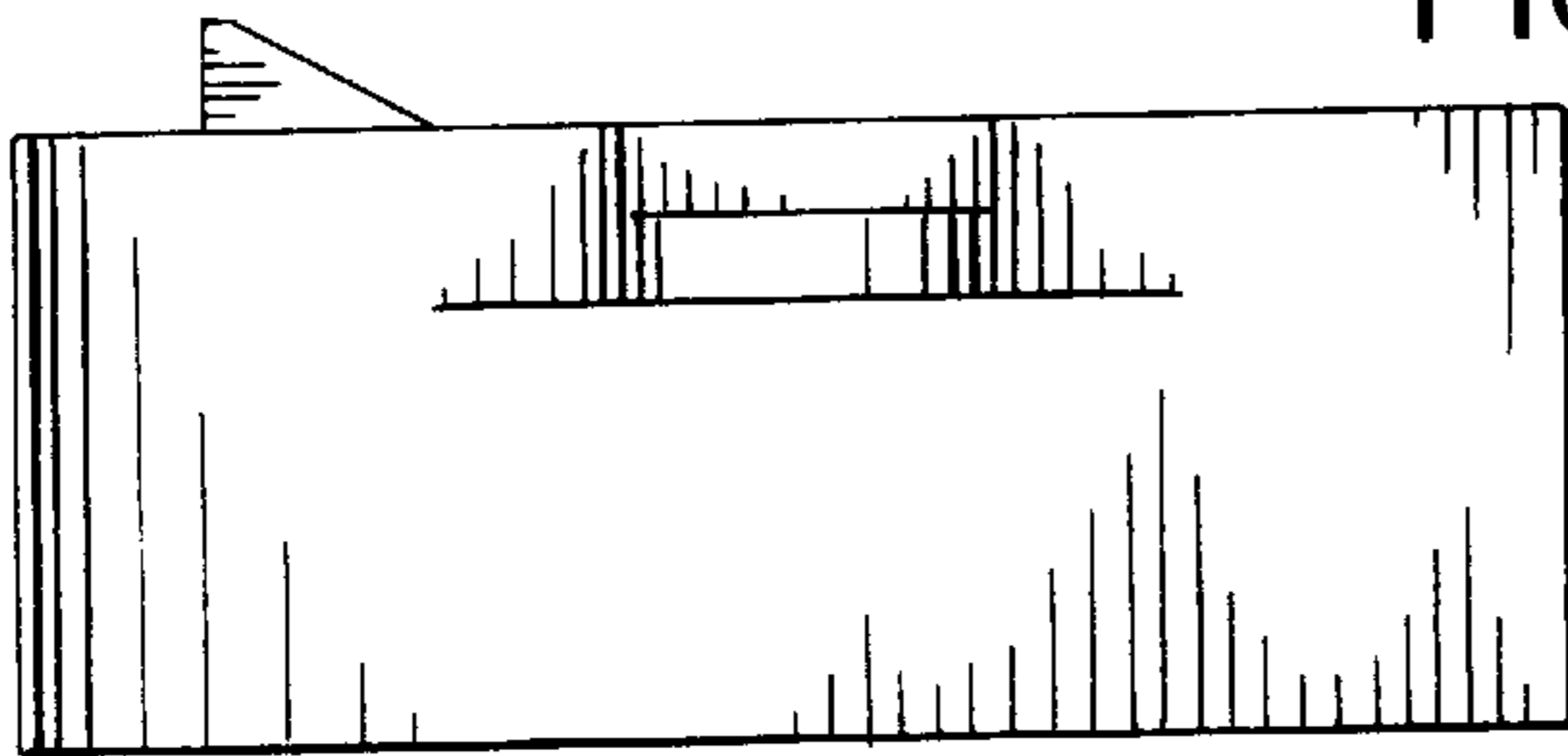


FIG. 4

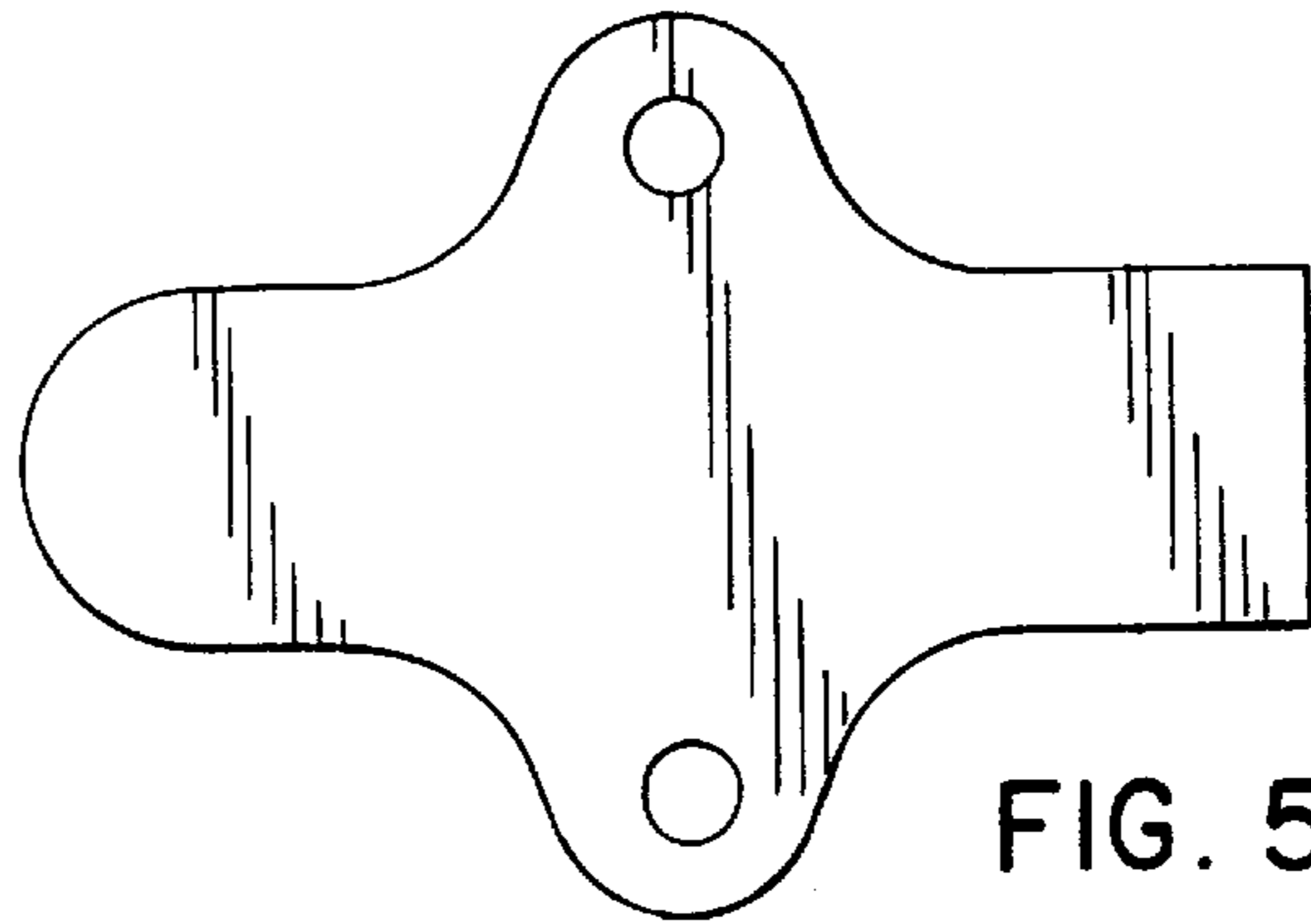


FIG. 5

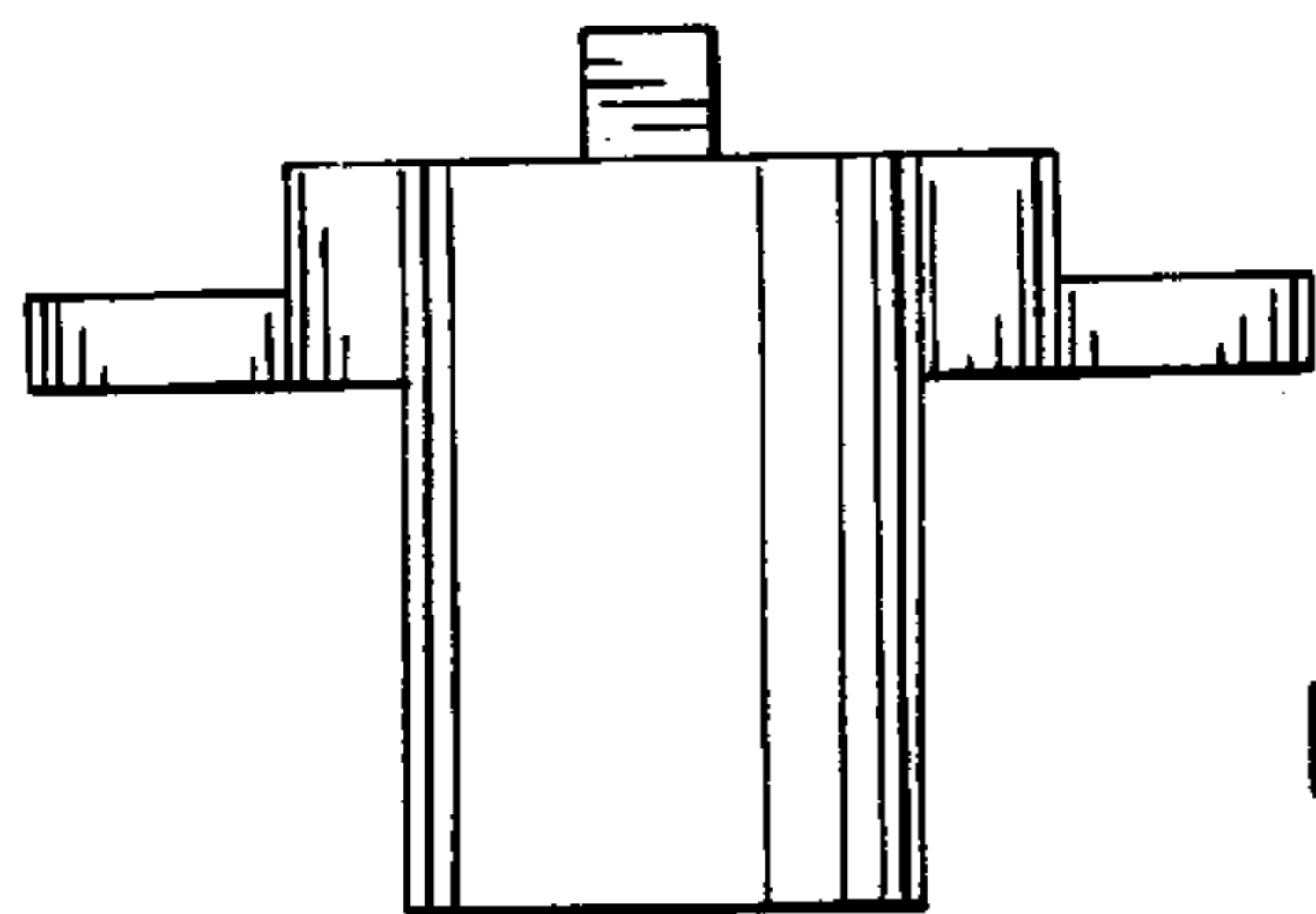


FIG. 6