



US00D420330S

United States Patent [19]

Wu et al.

[11] **Patent Number: Des. 420,330**

[45] **Date of Patent: ** Feb. 8, 2000**

[54] **ELECTRICAL CONNECTOR**

[75] Inventors: **Kun-Tsan Wu, Tu-Chen; Chaur-Shiuh Chen, Chia-I**, both of Taiwan

[73] Assignee: **Hon Hai Precision Ind. Co., Ltd.**, Taipei Hsien, Taiwan

[**] Term: **14 Years**

[21] Appl. No.: **29/098,374**

[22] Filed: **Dec. 28, 1998**

[30] **Foreign Application Priority Data**

Jul. 28, 1998 [TW] Taiwan 87305489

[51] **LOC (7) Cl.** **13-03**

[52] **U.S. Cl.** **D13/147**

[58] **Field of Search** D13/147; 439/59, 439/61, 62, 76.1, 630, 632, 634, 636, 637, 660, 64, 378, 752.5

[56] **References Cited**

U.S. PATENT DOCUMENTS

D. 332,599 1/1993 Kikuta et al. D13/147

D. 398,584	9/1998	Hirai et al.	D13/147
D. 402,630	12/1998	Lai et al.	D13/147
D. 407,690	4/1999	Lai et al.	D13/147
5,356,300	10/1994	Costello et al.	439/101
5,466,171	11/1995	Bixler et al.	439/378

Primary Examiner—Joel Sincavage

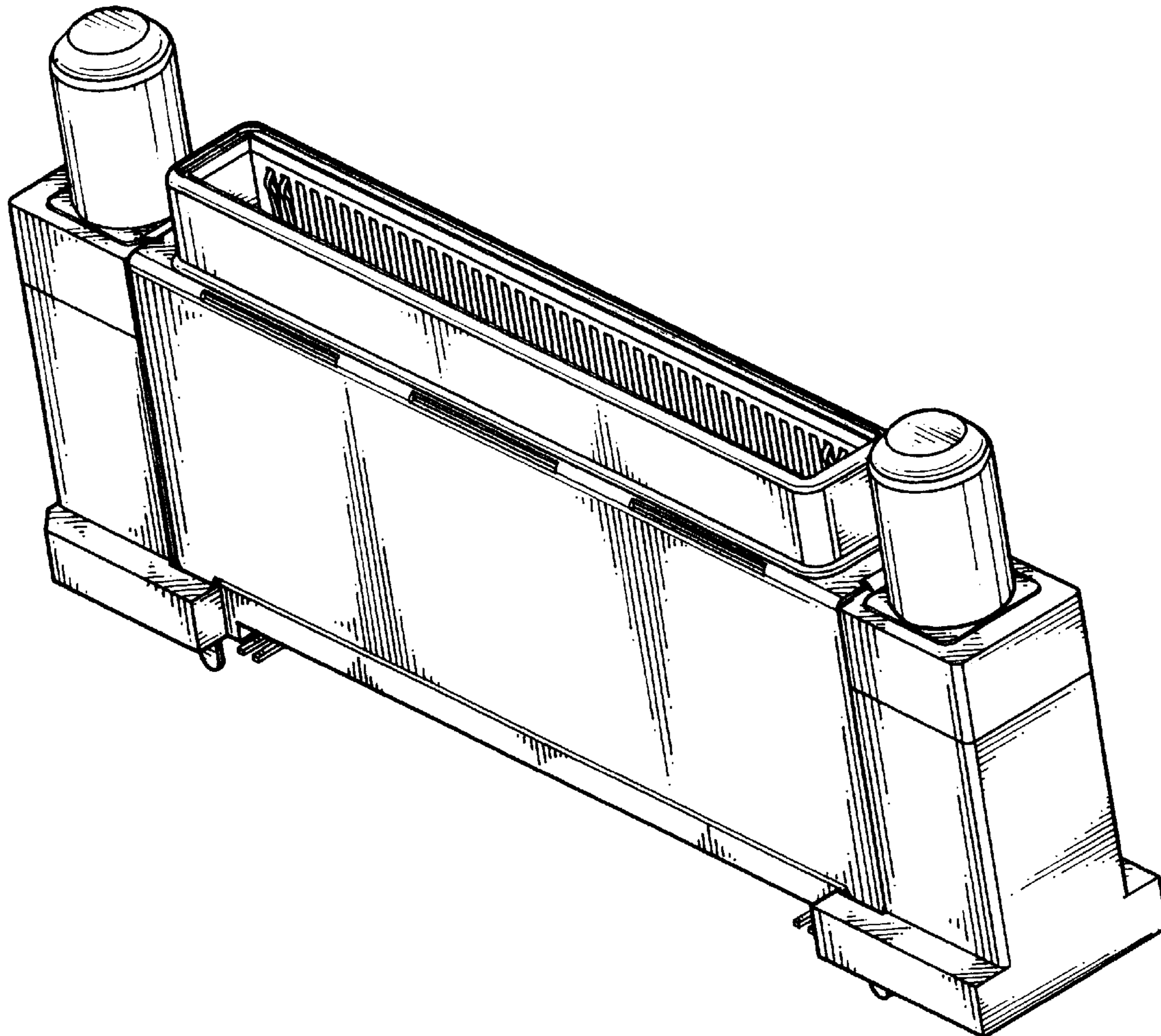
[57] **CLAIM**

The ornamental design for an electrical connector, as shown.

DESCRIPTION

FIG. 1 is a perspective view of an electrical connector showing my new design;
 FIG. 2 is a front elevational view thereof;
 FIG. 3 is a rear elevational view thereof;
 FIG. 4 is a left side elevational view thereof;
 FIG. 5 is a right side elevational view thereof;
 FIG. 6 is a top plan view thereof; and,
 FIG. 7 is a bottom plan view thereof.

1 Claim, 5 Drawing Sheets



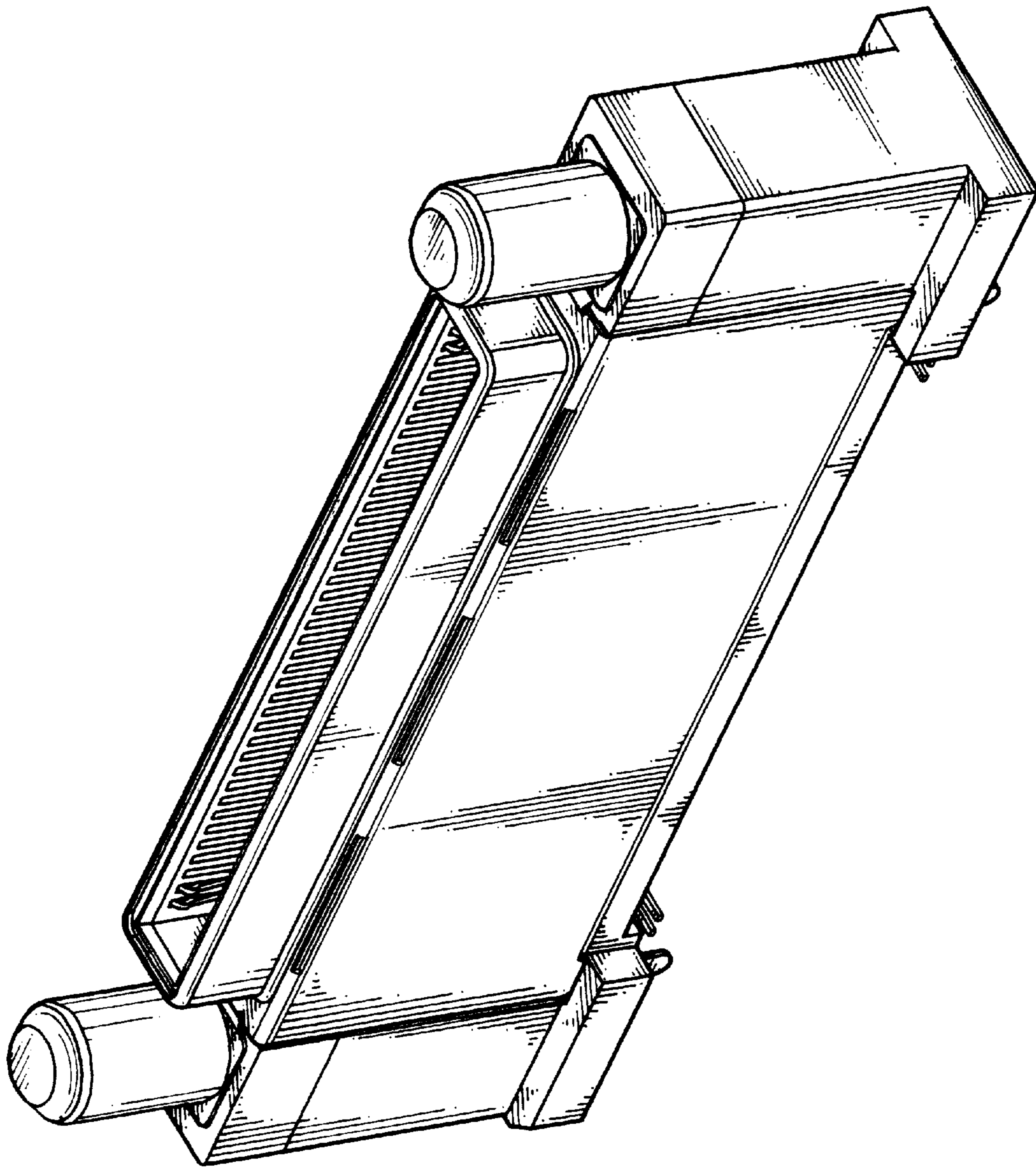


FIG. 1

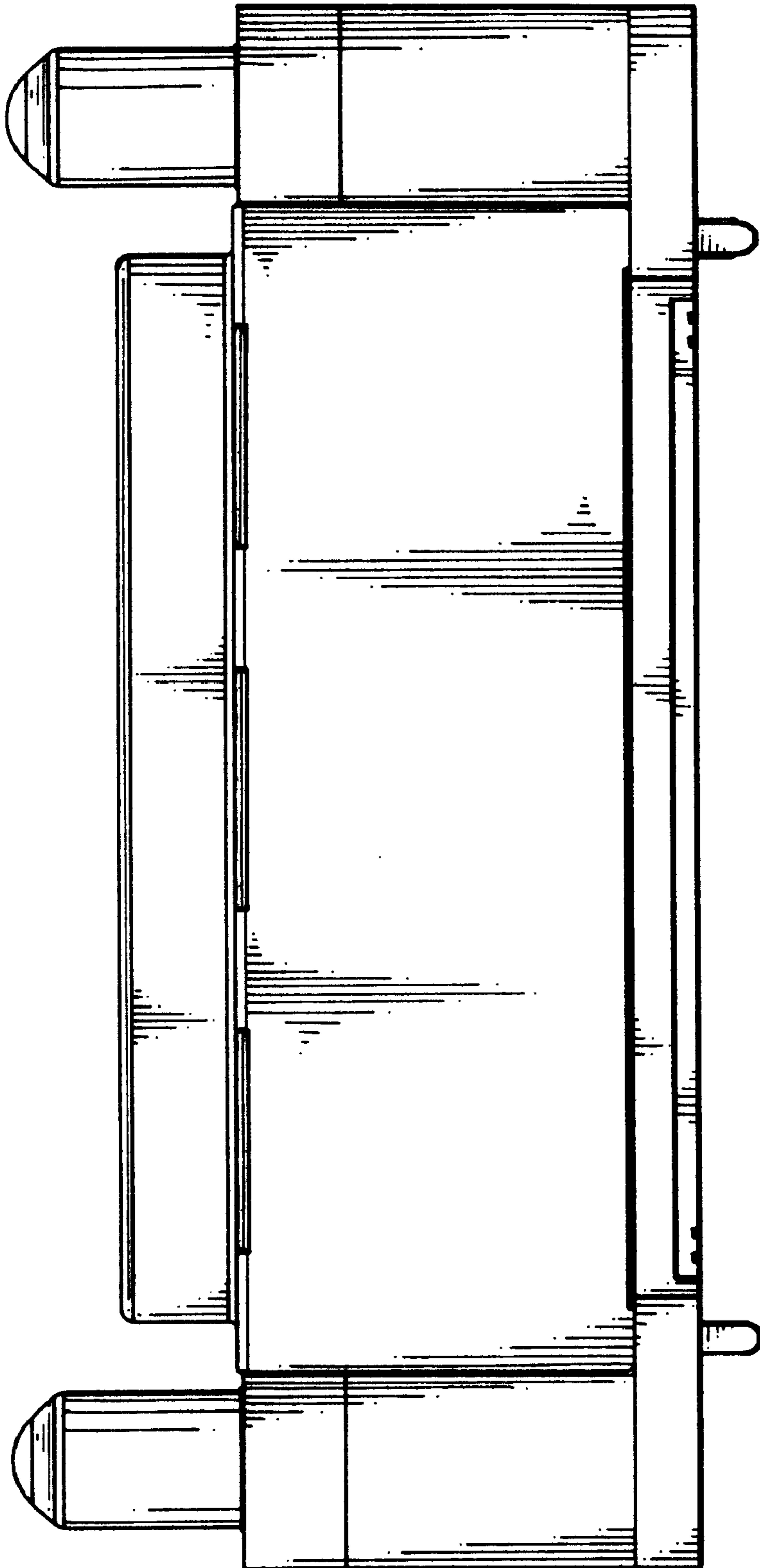


FIG. 2

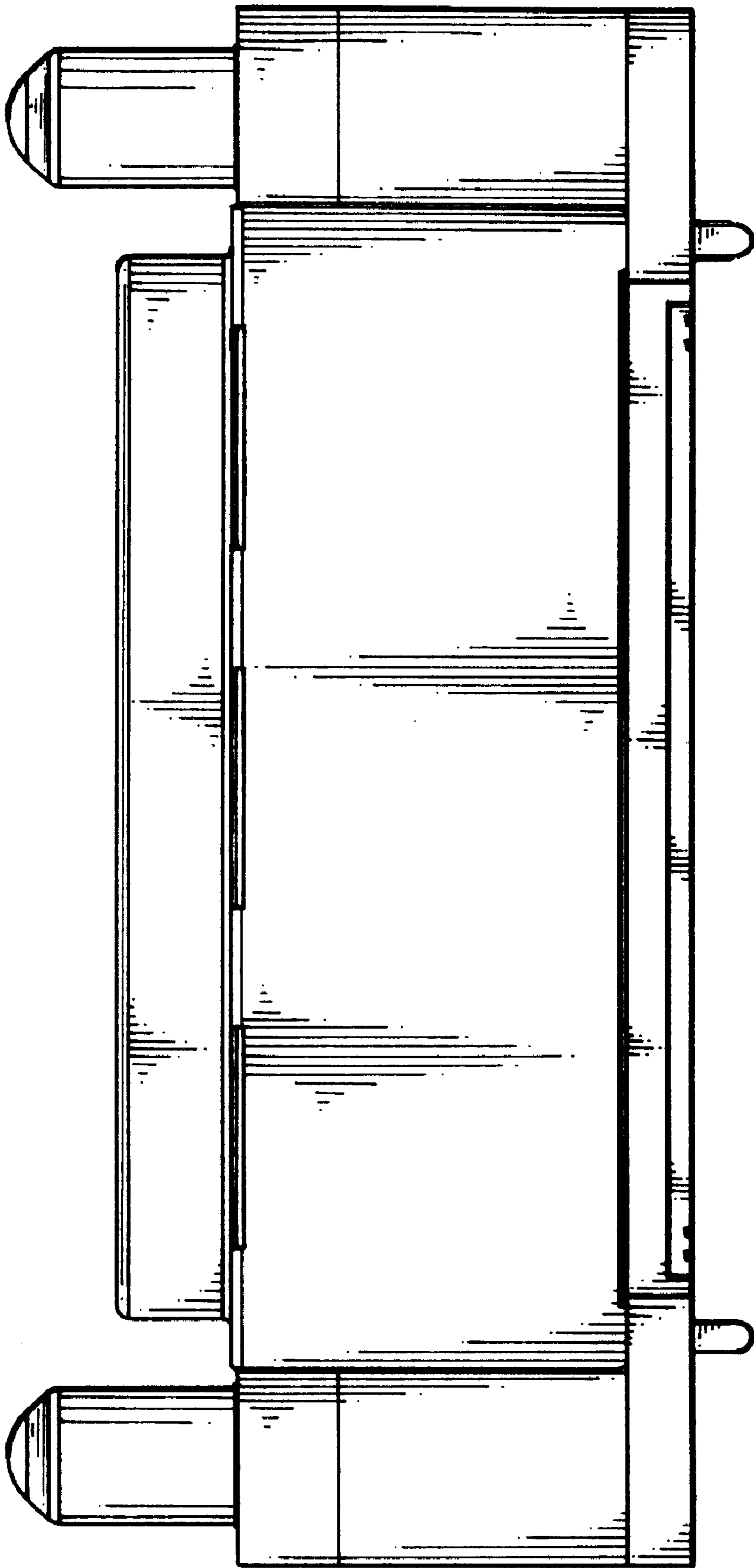


FIG. 3

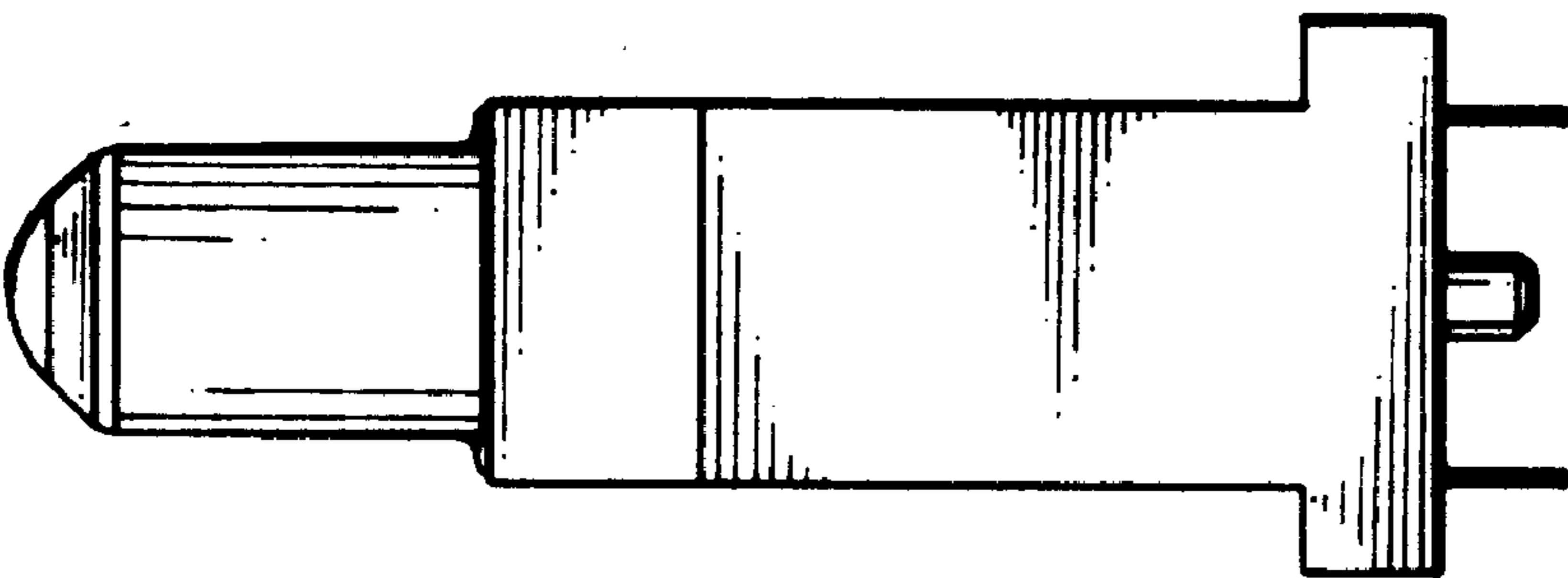


FIG. 4

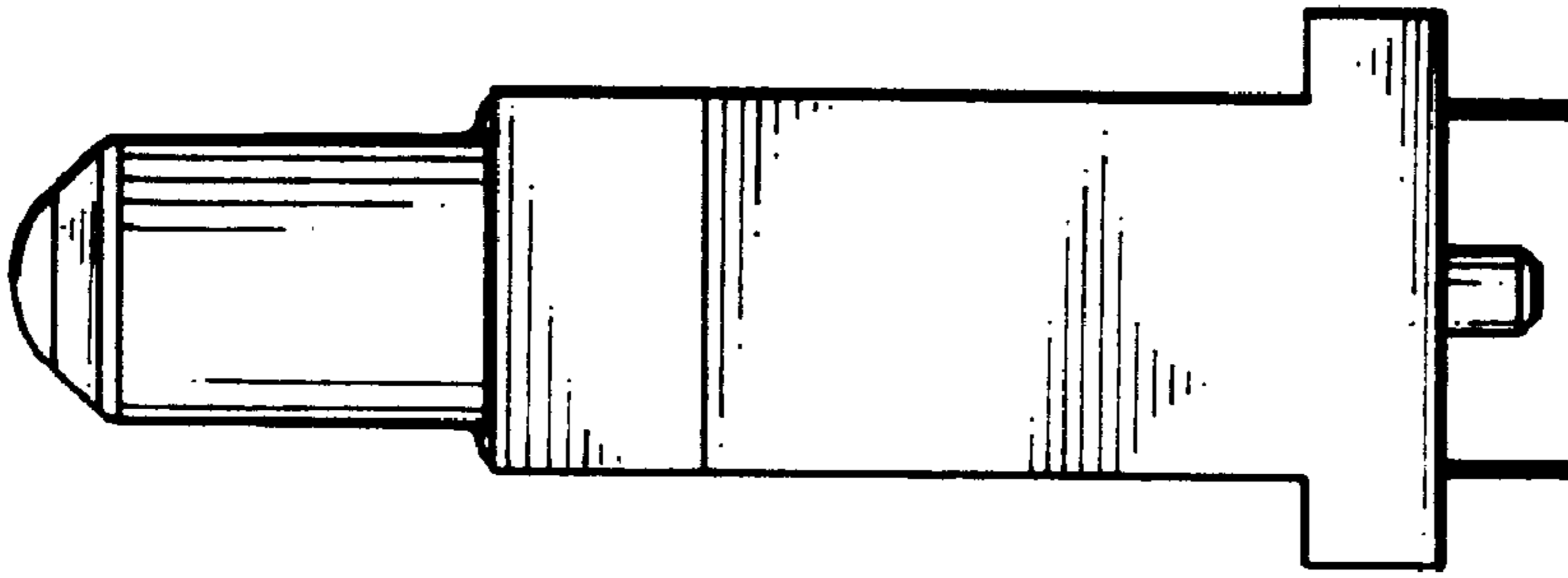


FIG. 5

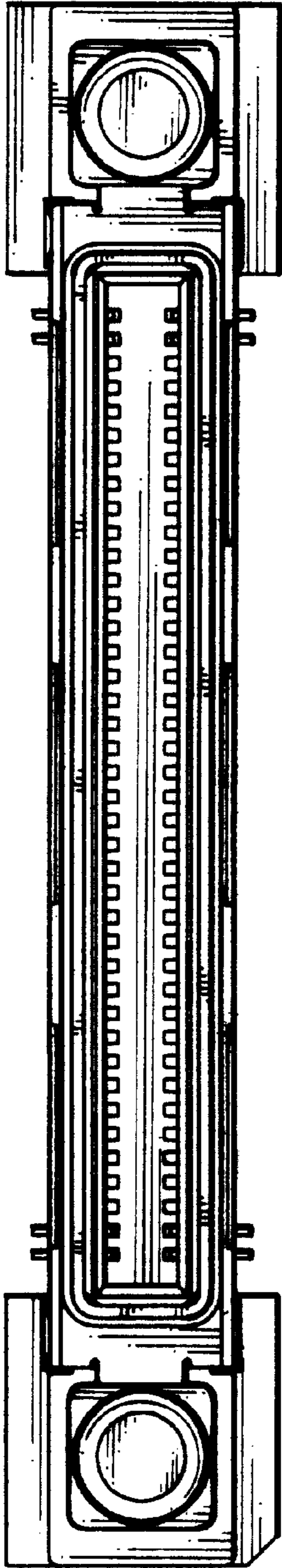


FIG. 6

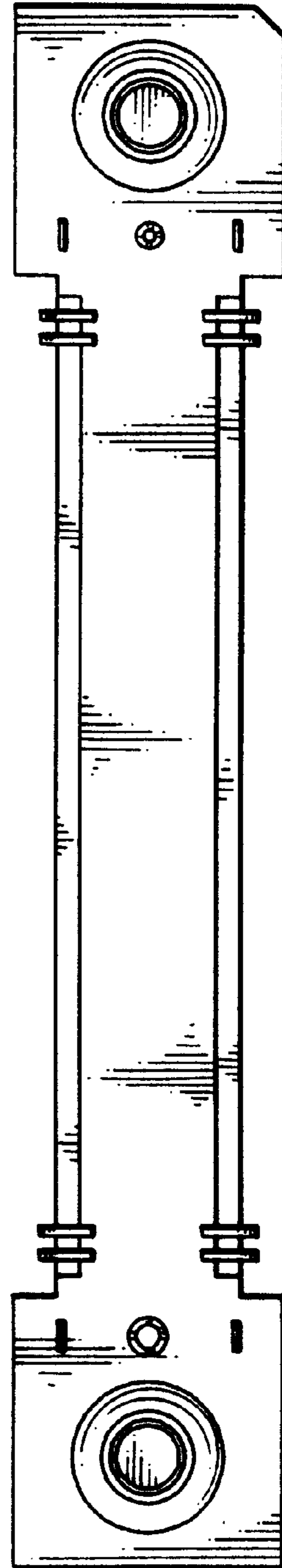


FIG. 7