



US00D420328S

# United States Patent [19]

[11] Patent Number: **Des. 420,328**

Burwell et al.

[45] Date of Patent: **\*\* Feb. 8, 2000**

[54] **FLUORESCENT LAMP POWER CONNECTOR**

5,057,036	10/1991	Dickie .....	439/484
5,145,417	9/1992	Honkomp et al. ....	439/685
5,440,235	8/1995	Oko .....	324/538

[75] Inventors: **John W. Burwell**, Rome City; **Paul A. Littrell**, Fort Wayne; **James M. Gust**, Wolcottville, all of Ind.

*Primary Examiner*—Joel Sincavage  
*Attorney, Agent, or Firm*—Taylor & Associates, P.C.

[73] Assignee: **Lyll Assemblies, Inc.**, Albion, Ind.

[57] **CLAIM**

[\*\*] Term: **14 Years**

The ornamental design for a fluorescent lamp power connector, as shown and described.

[21] Appl. No.: **29/096,403**

**DESCRIPTION**

[22] Filed: **Nov. 12, 1998**

FIG. 1 is a perspective view of a fluorescent lamp power connector showing our new design,  
 FIG. 2 is a top view thereof;  
 FIG. 3 is a bottom view thereof;  
 FIG. 4 is a side view thereof, the opposite side view being identical;  
 FIG. 5 is an end view thereof;  
 FIG. 6 is an opposing end view thereof; and,  
 FIG. 7 is a perspective view of the top, female plug and the bottom, male plug in a disassembled state.  
 The broken line showing of the conductors in Figs 1-4 and 7 is included for the purpose of illustrating environmental structure only and forms no part of the claimed design.--

[51] **LOC (7) Cl.** ..... **13-03**

[52] **U.S. Cl.** ..... **D13/146**

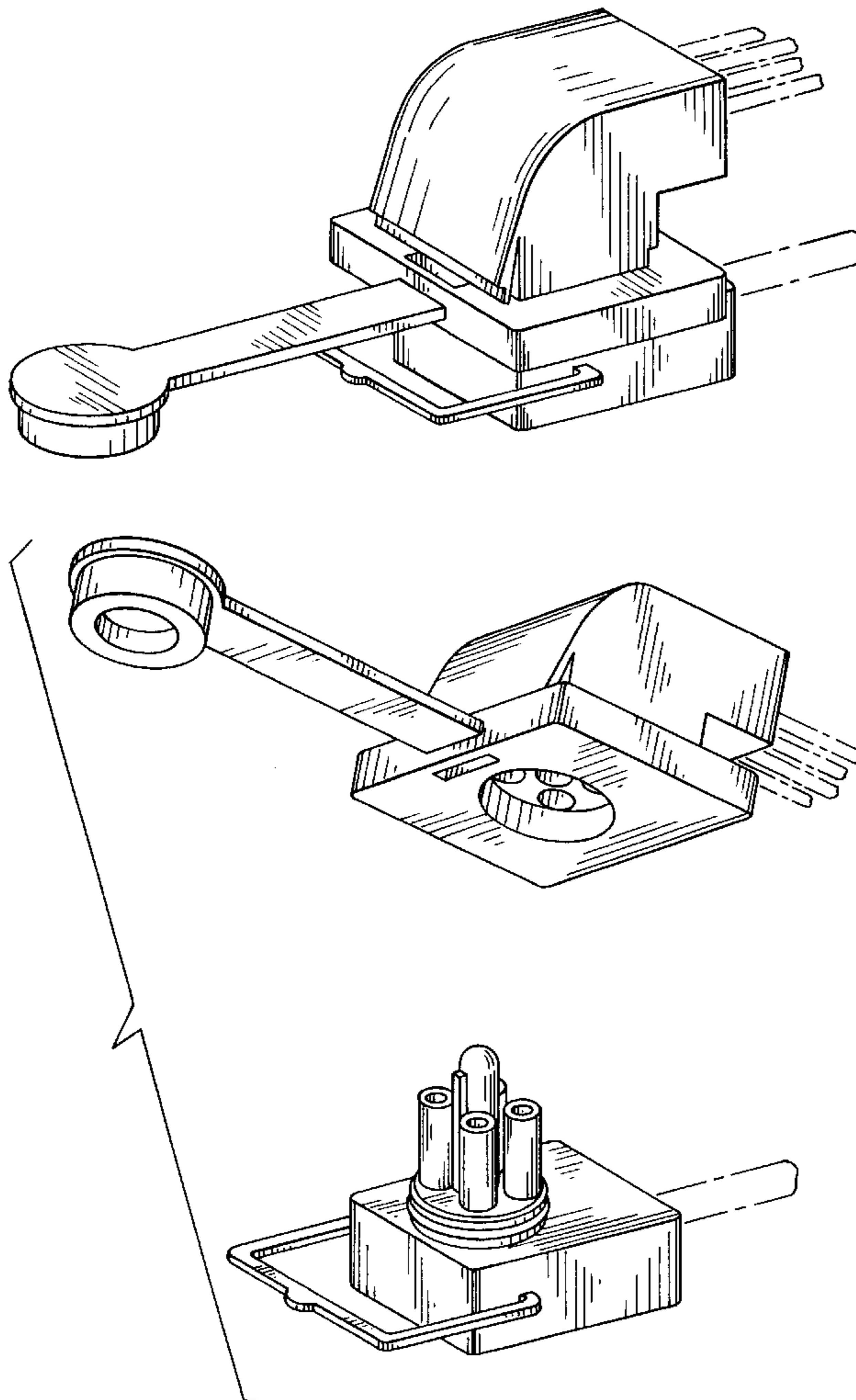
[58] **Field of Search** ..... D13/146, 147;  
439/135, 147, 148, 232, 484, 521, 891;  
362/260

[56] **References Cited**

**U.S. PATENT DOCUMENTS**

3,330,920	7/1967	Appleton .....	439/142 X
3,740,981	6/1973	Patriquin .....	70/455
4,707,043	11/1987	Reed .....	439/142
4,969,838	11/1990	Hilmes, Jr. et al. ....	439/352

**1 Claim, 3 Drawing Sheets**



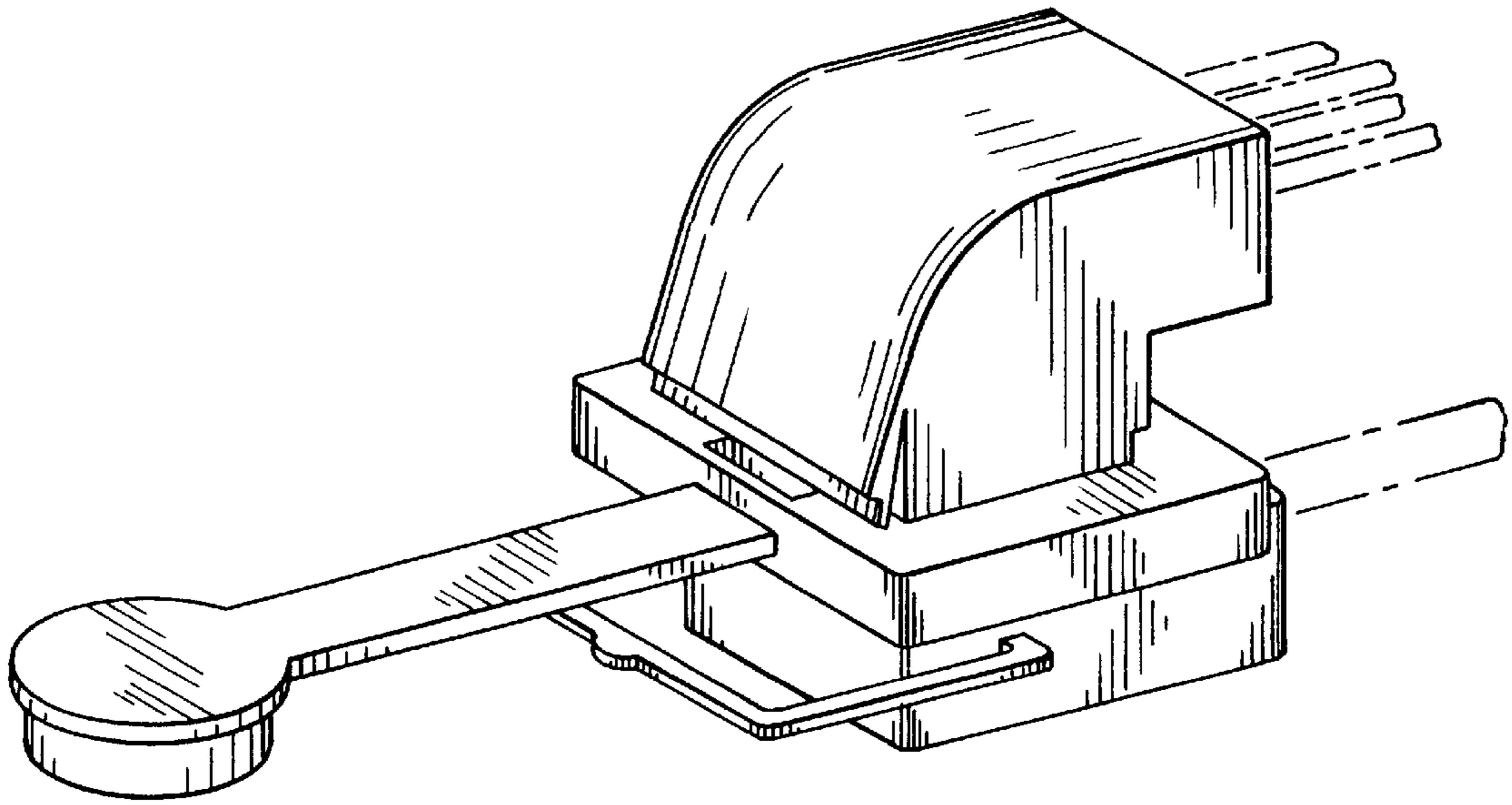


Fig. 1

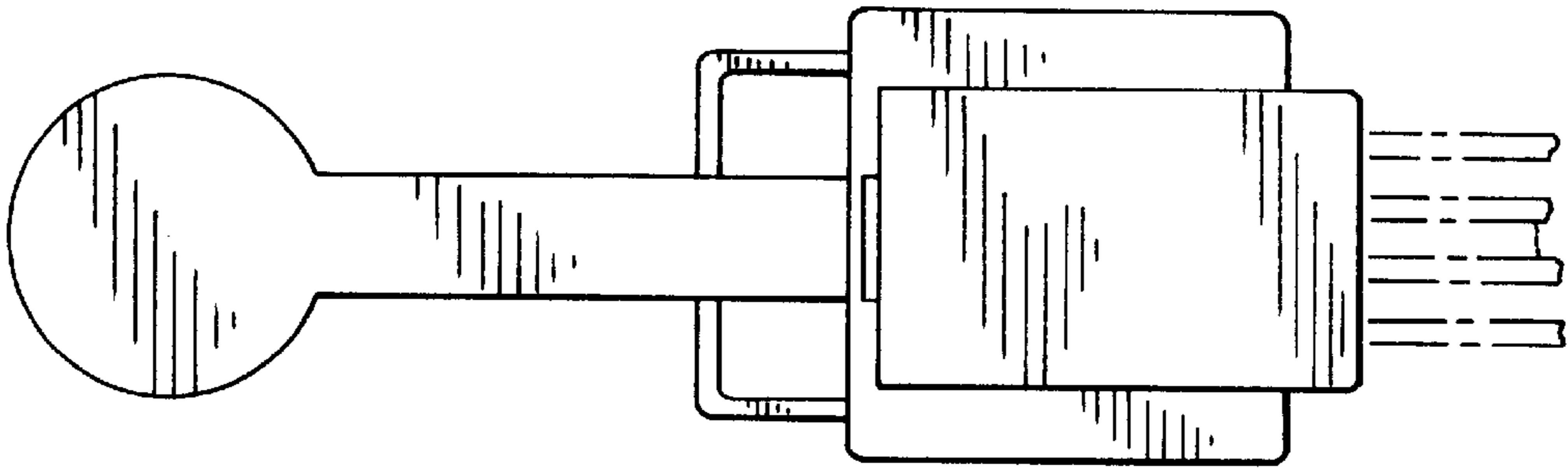


Fig. 2

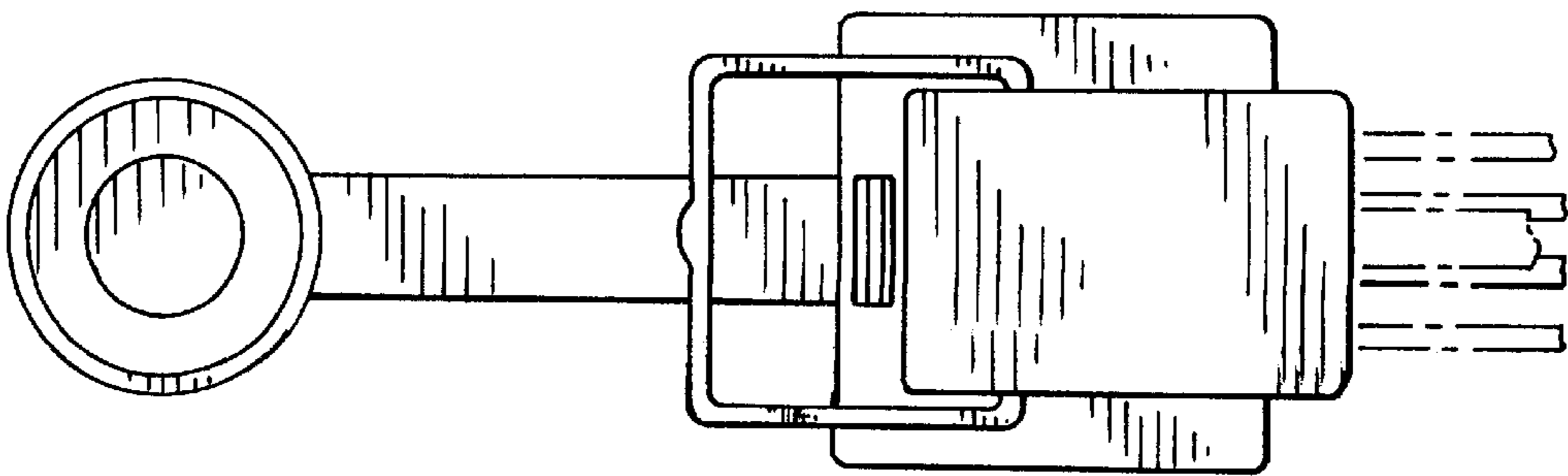


Fig. 3

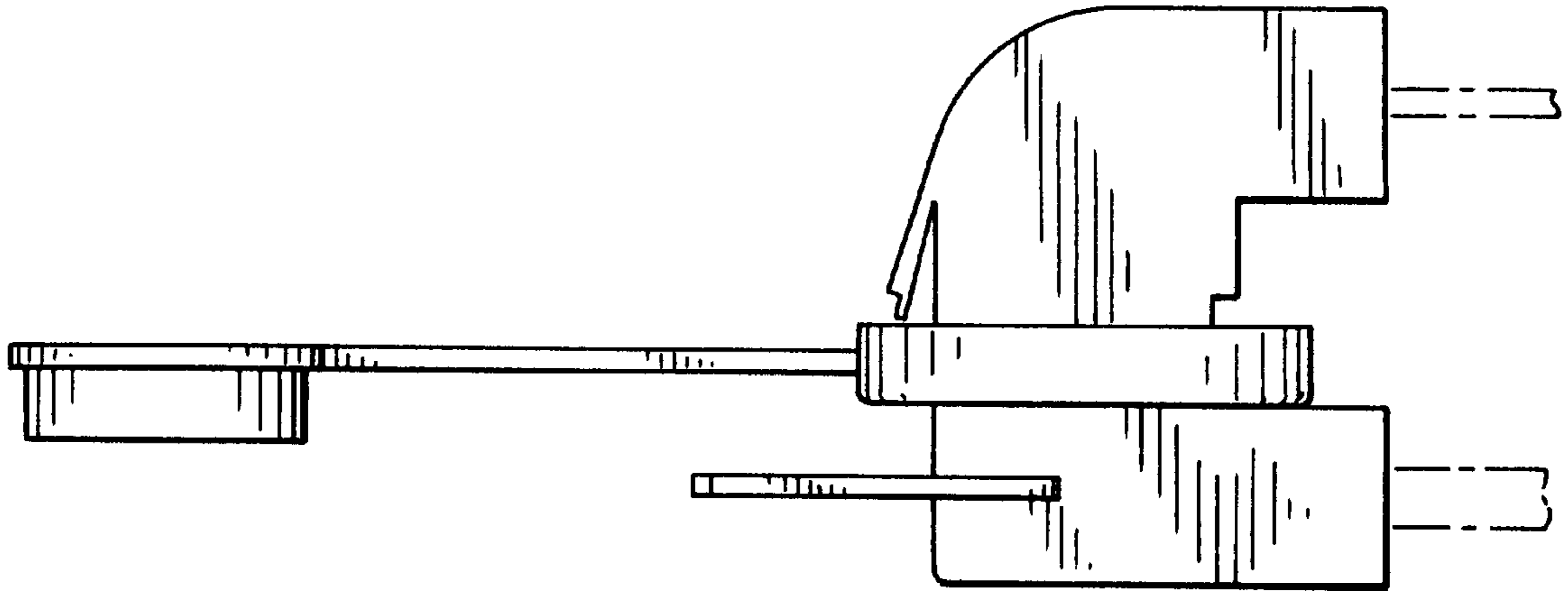


Fig. 4

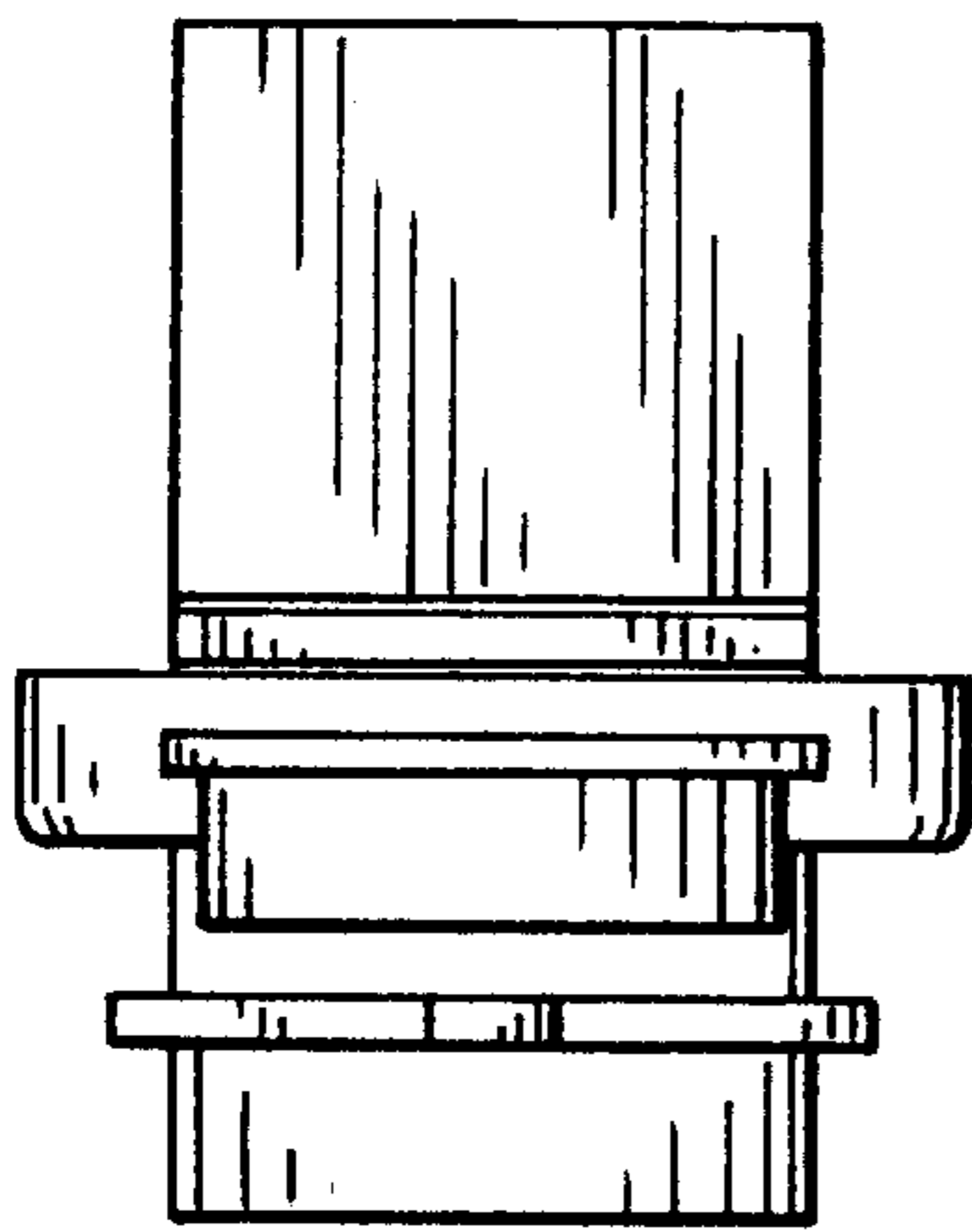


Fig. 5

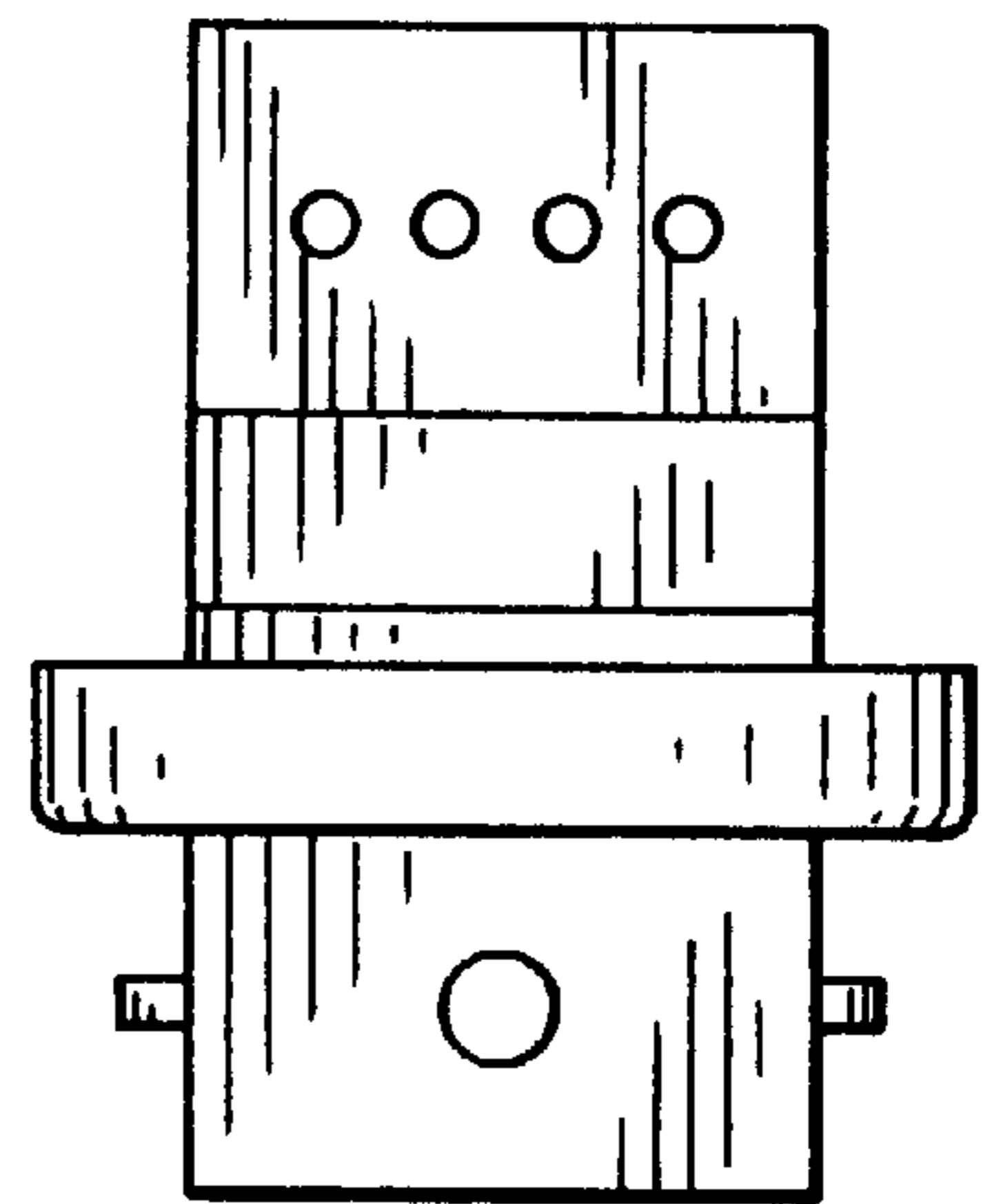


Fig. 6

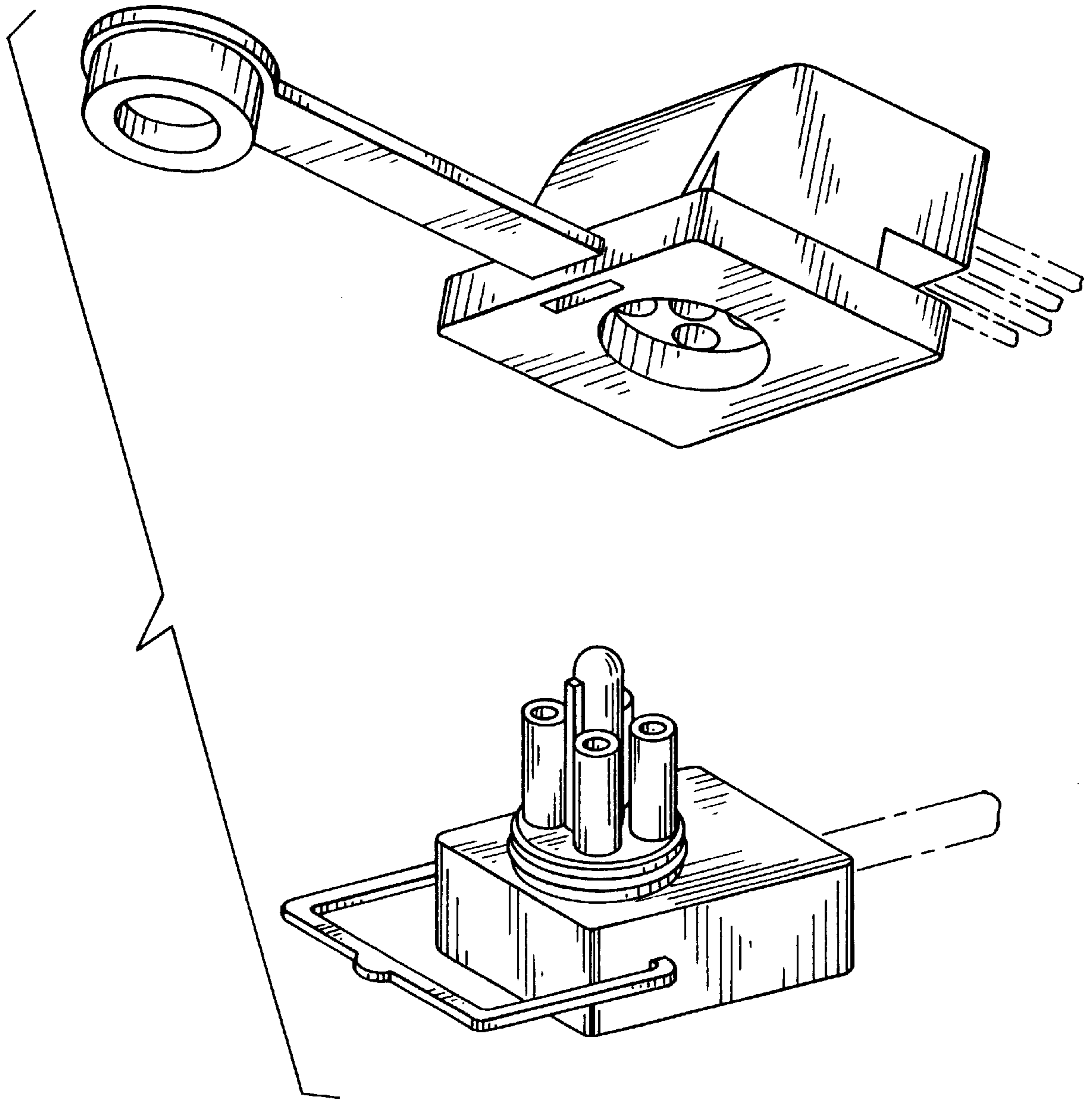


Fig. 7