



US00D420326S

United States Patent [19]
Henrici

[11] **Patent Number: Des. 420,326**
[45] **Date of Patent: ** Feb. 8, 2000**

[54] **FLUORESCENT LAMP HOLDER**
[75] Inventor: **Dieter Henrici**, Arnsberg, Germany
[73] Assignee: **Brokelmann, Jaeger & Bussem GmbH & Co.**, Arnsberg, Germany
[**] Term: **14 Years**
[21] Appl. No.: **29/081,825**
[22] Filed: **Oct. 24, 1997**

4,575,785 3/1986 Lerude et al. 362/226

Primary Examiner—Holly Baynham
Attorney, Agent, or Firm—Herbert Dubno

[57] **CLAIM**

The ornamental design for a fluorescent lamp holder, as shown and described.

DESCRIPTION

FIG. 1 is a top, front right side perspective view of a fluorescent lamp holder embodying my new design;
FIG. 2 is a front view thereof;
FIG. 3 is a left side elevational view thereof, the right side being mirror symmetrical thereto;
FIG. 4 is a rear elevational view thereof;
FIG. 5 is a top view thereof;
FIG. 6 is a bottom view thereof;
FIG. 7 is a top, front, right side perspective view of another embodiment of a fluorescent lamp holder showing my new design;
FIG. 8 is a front view thereof;
FIG. 9 is a left side elevational view thereof the right side being mirror symmetrical to the left side;
FIG. 10 is a rear elevational view thereof;
FIG. 11 is a top view thereof; and,
FIG. 12 is a bottom view thereof.

Related U.S. Application Data

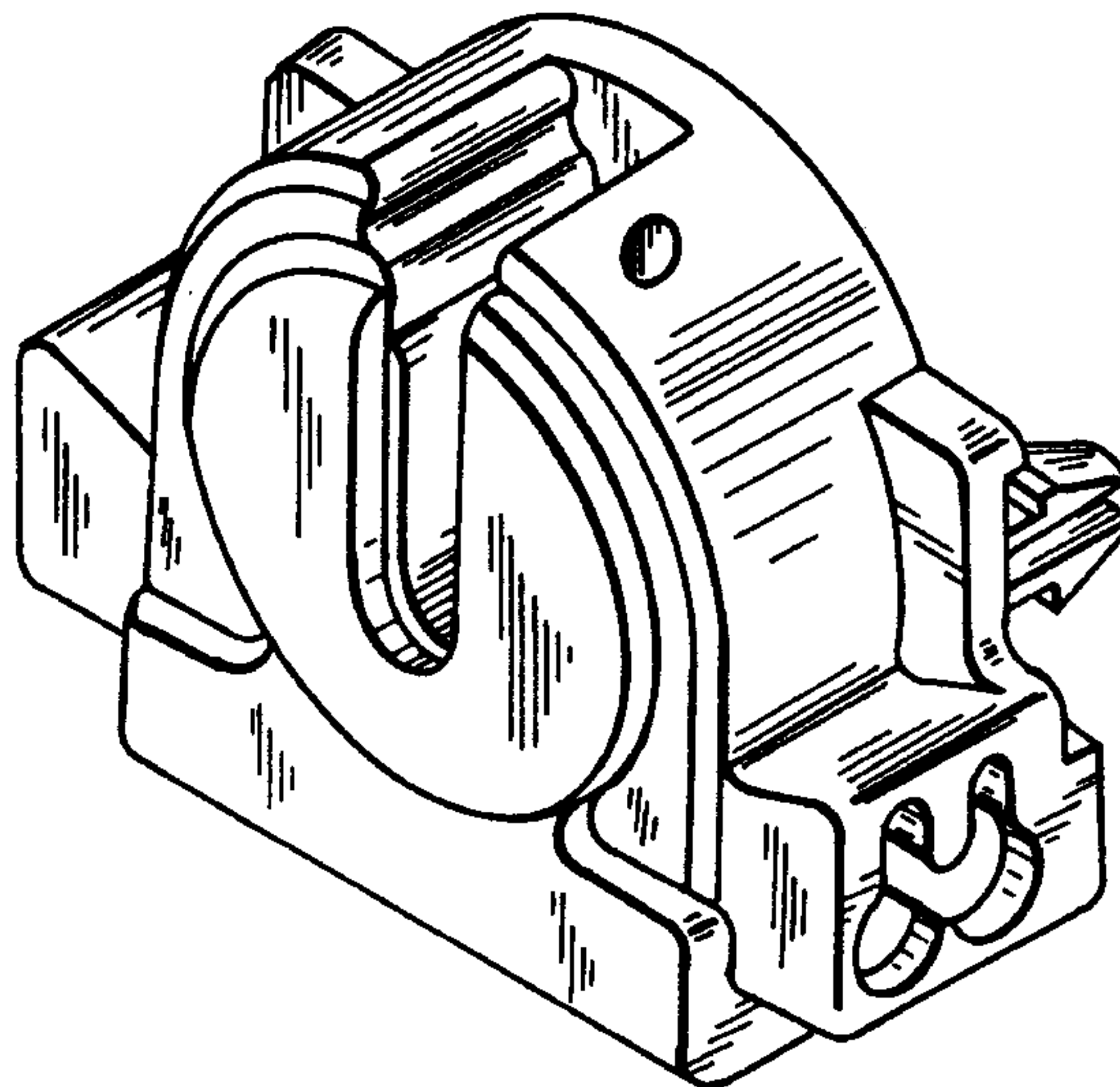
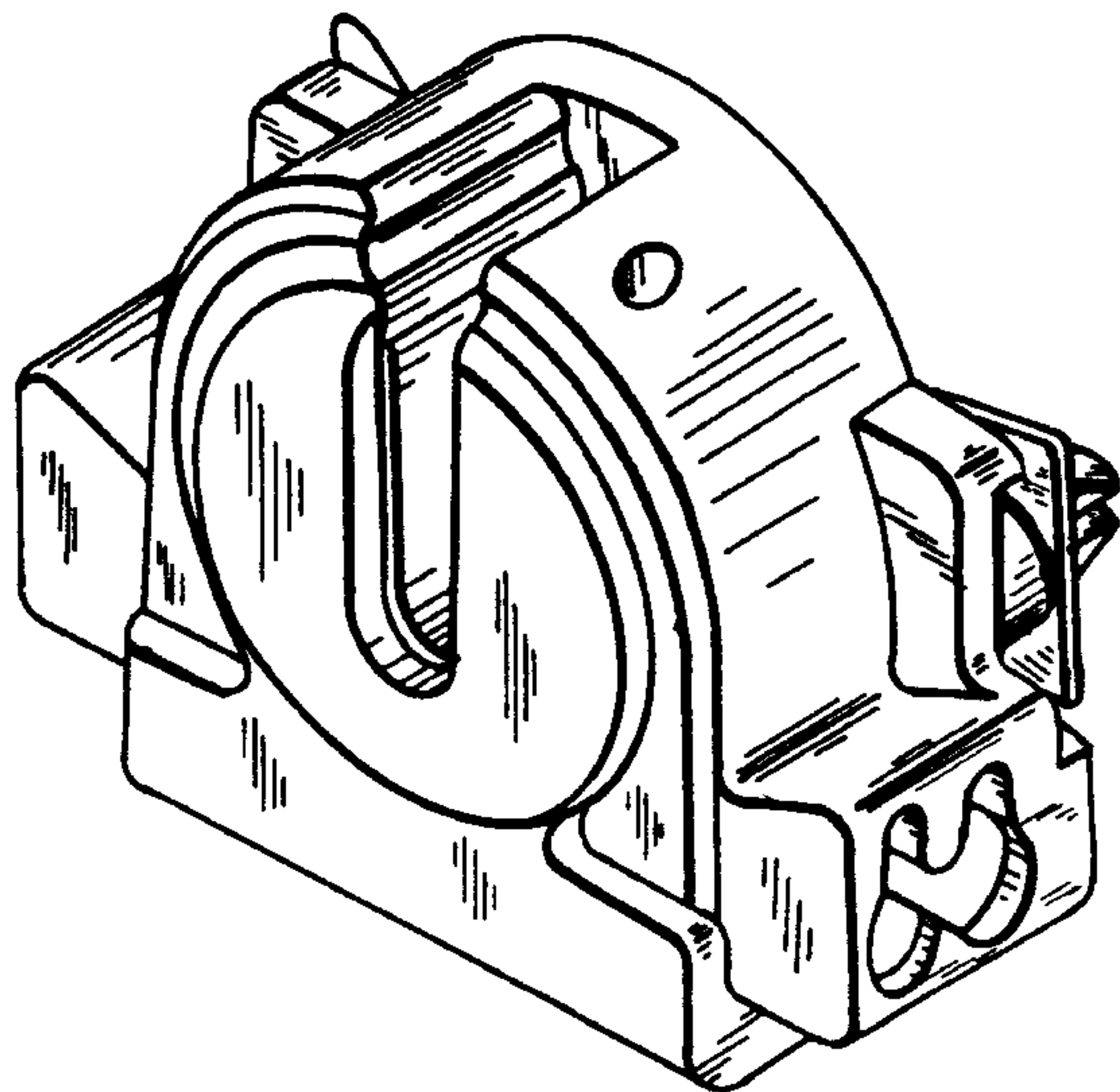
[62] Division of application No. 29/070,340, May 6, 1997, which is a division of application No. 29/045,065, Oct. 6, 1995, Pat. No. Des. 388,395.
[51] **LOC (7) Cl.** **13-03**
[52] **U.S. Cl.** **D13/134**
[58] **Field of Search** D13/134; D26/138; 248/316.1; 439/232, 236; 362/226, 249, 306, 260, 296

References Cited

U.S. PATENT DOCUMENTS

D. 47,241 4/1915 Cosgrave D13/134
D. 130,269 11/1941 Magnenat D13/134
2,510,628 6/1950 Goebel D13/134 X

1 Claim, 4 Drawing Sheets



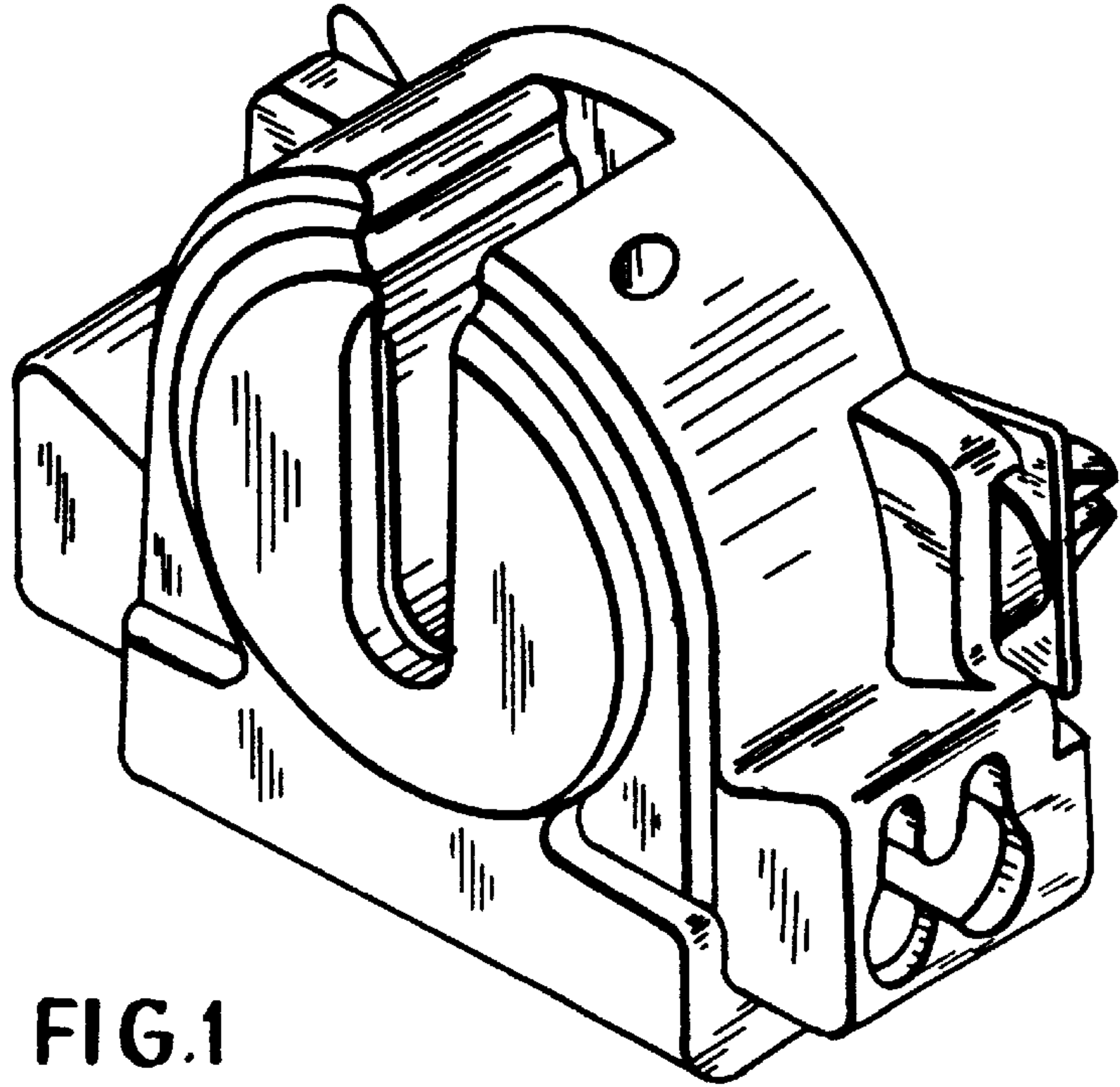


FIG. 1

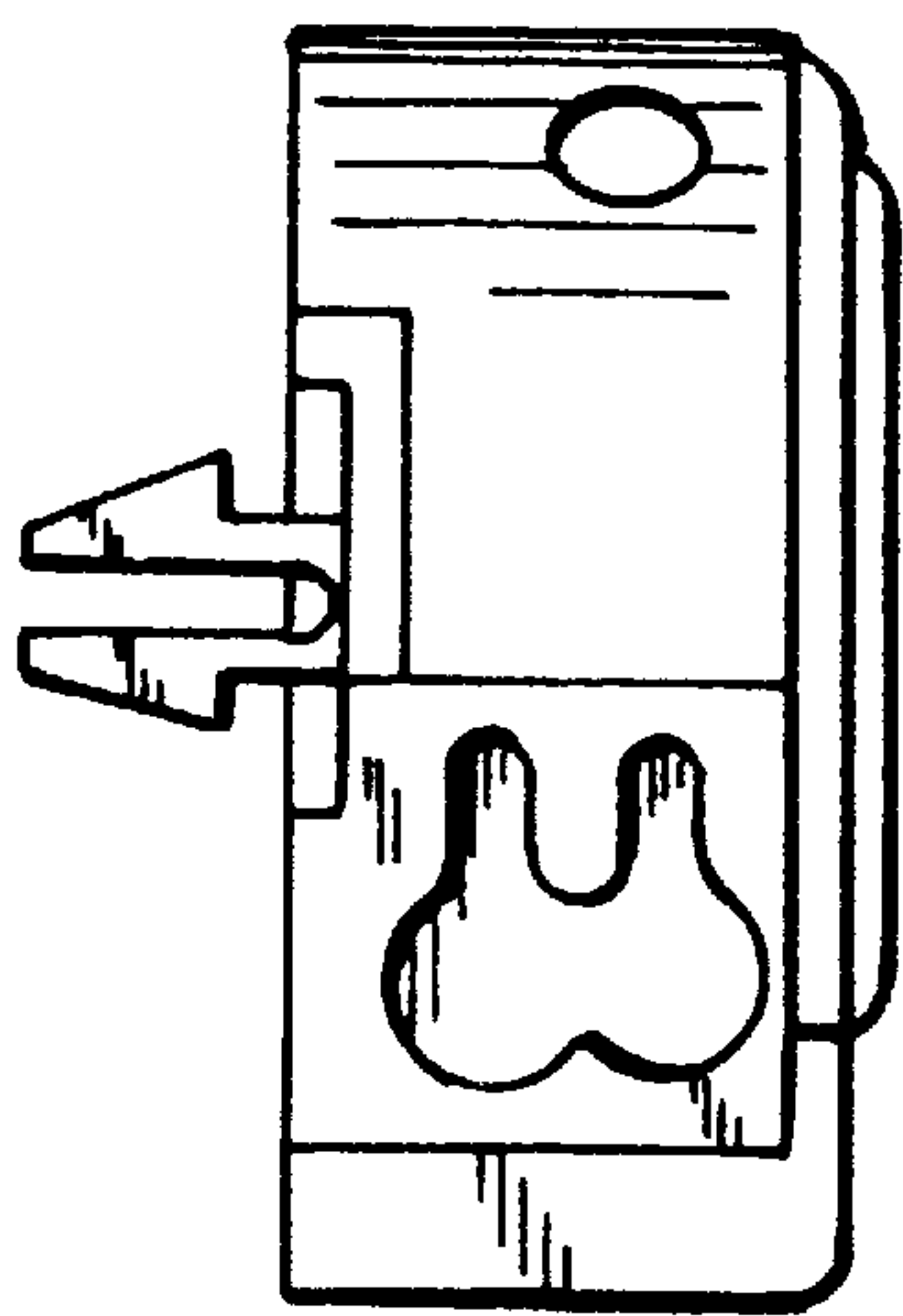


FIG. 3

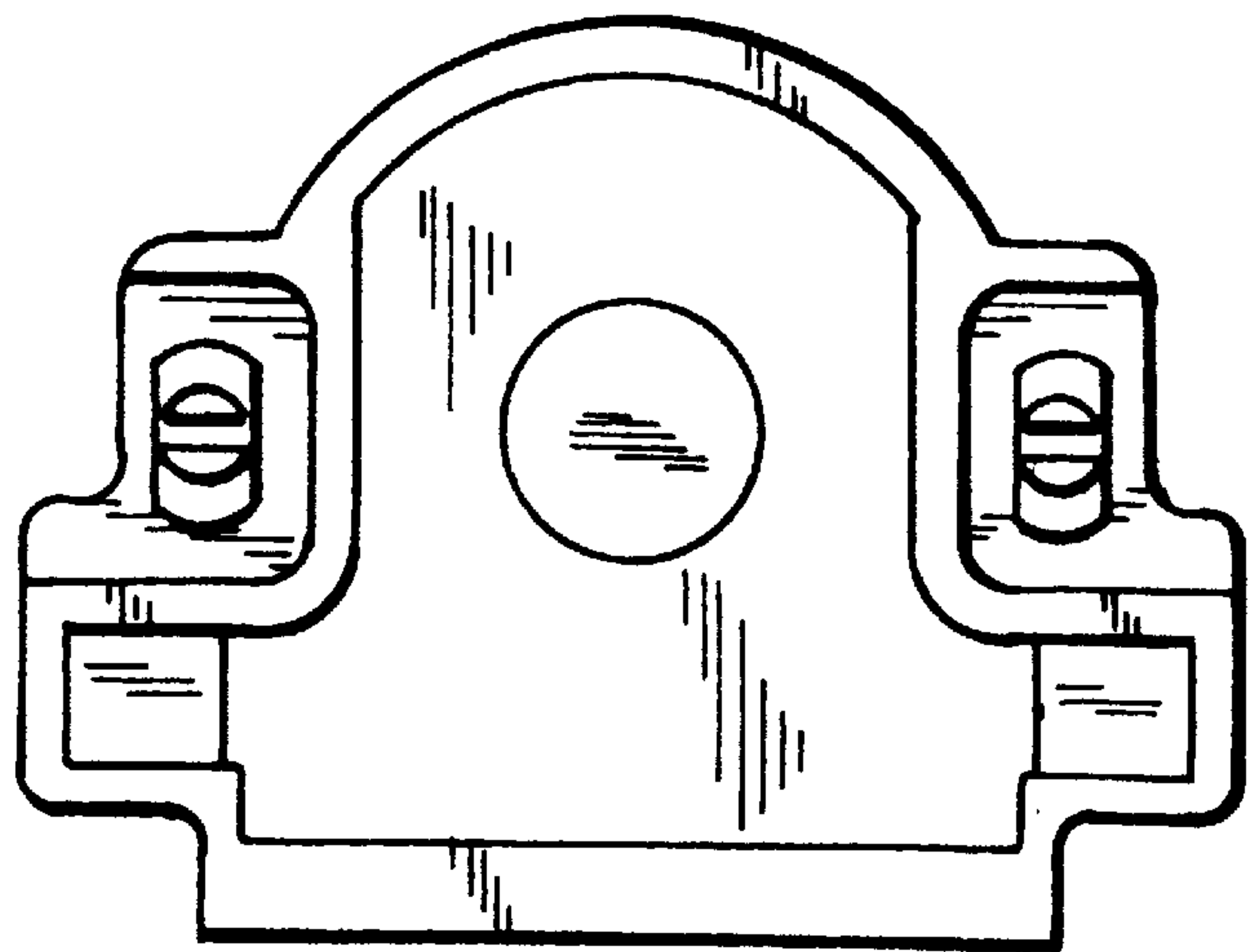


FIG. 4

FIG.6

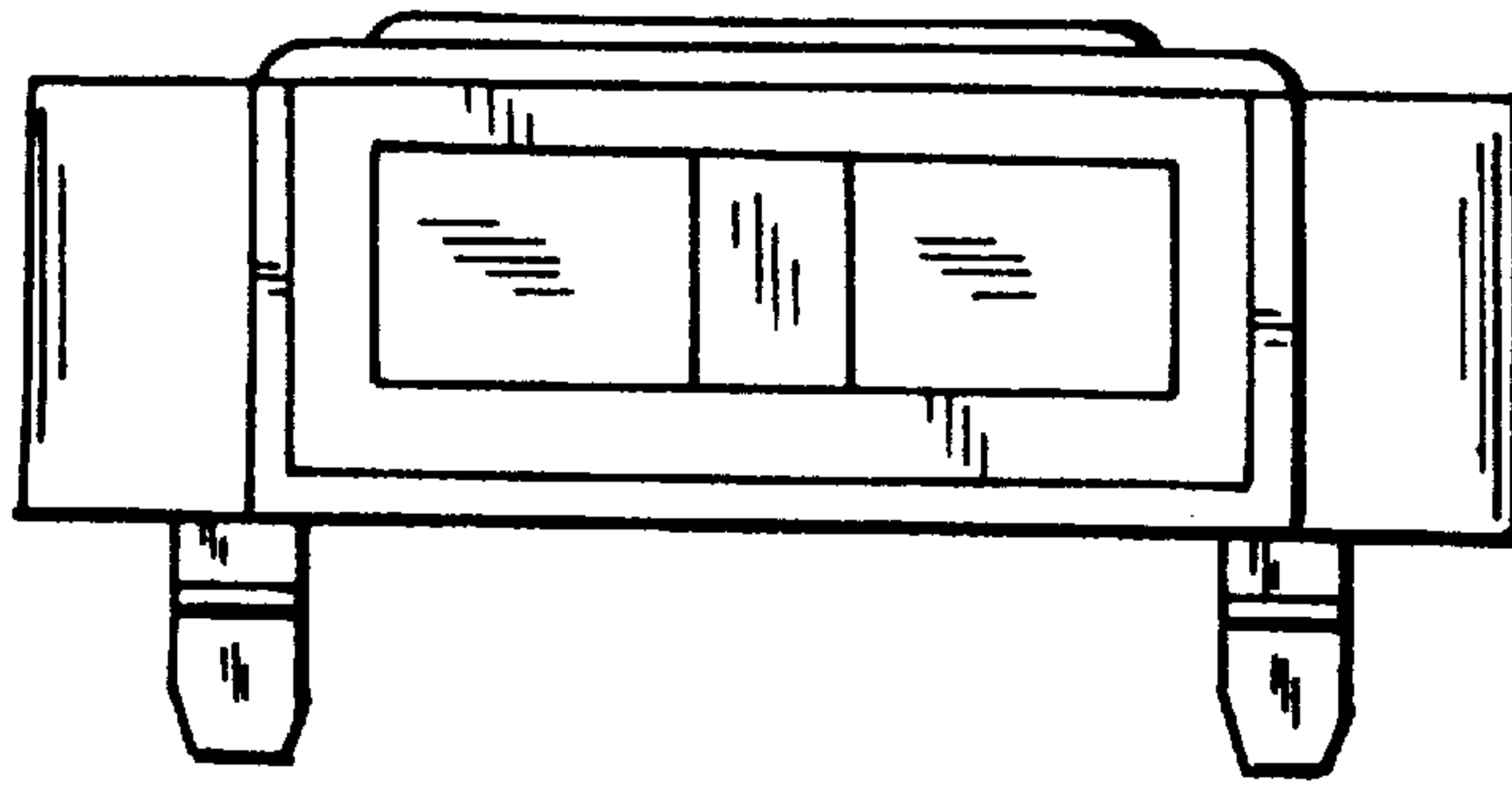


FIG.2

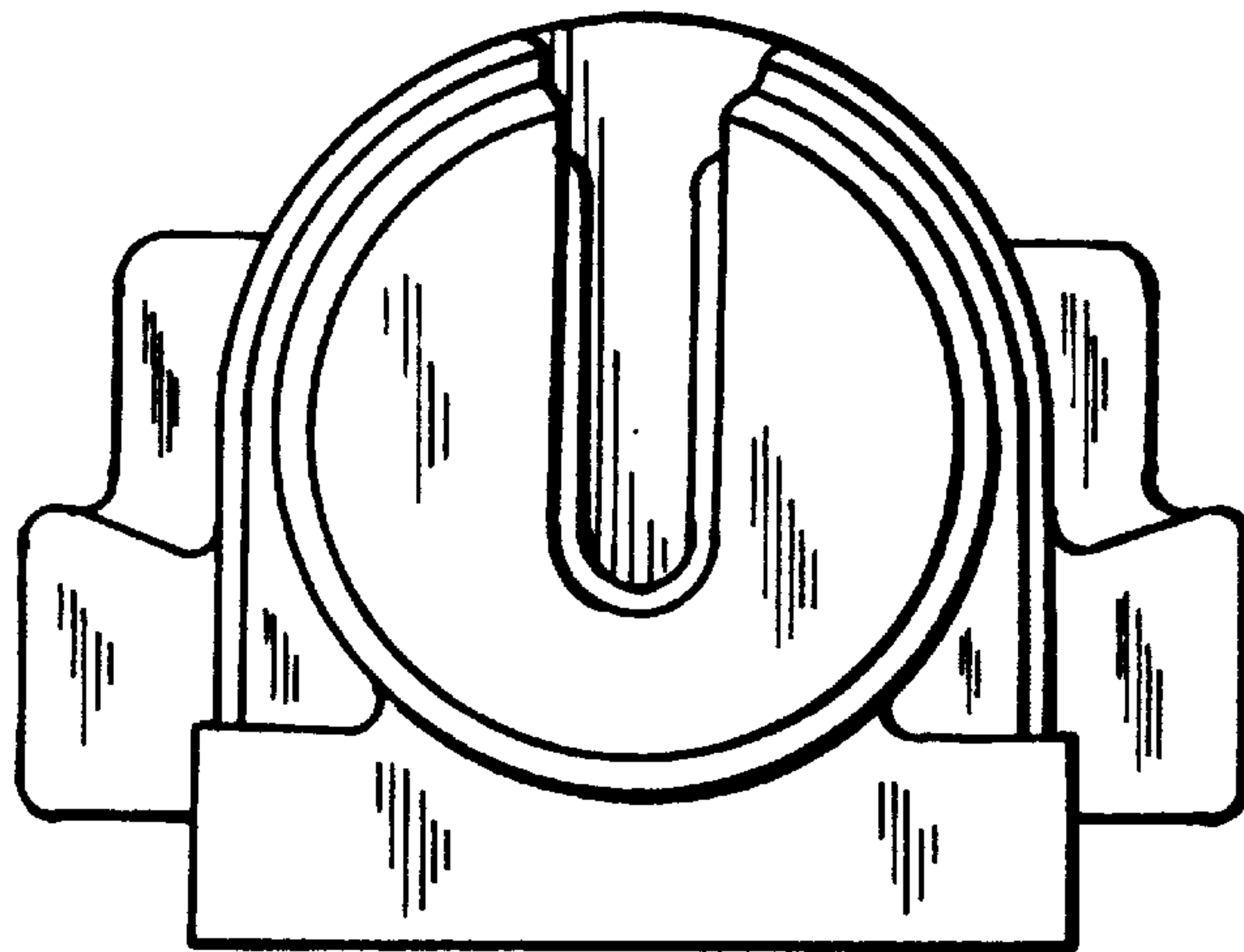
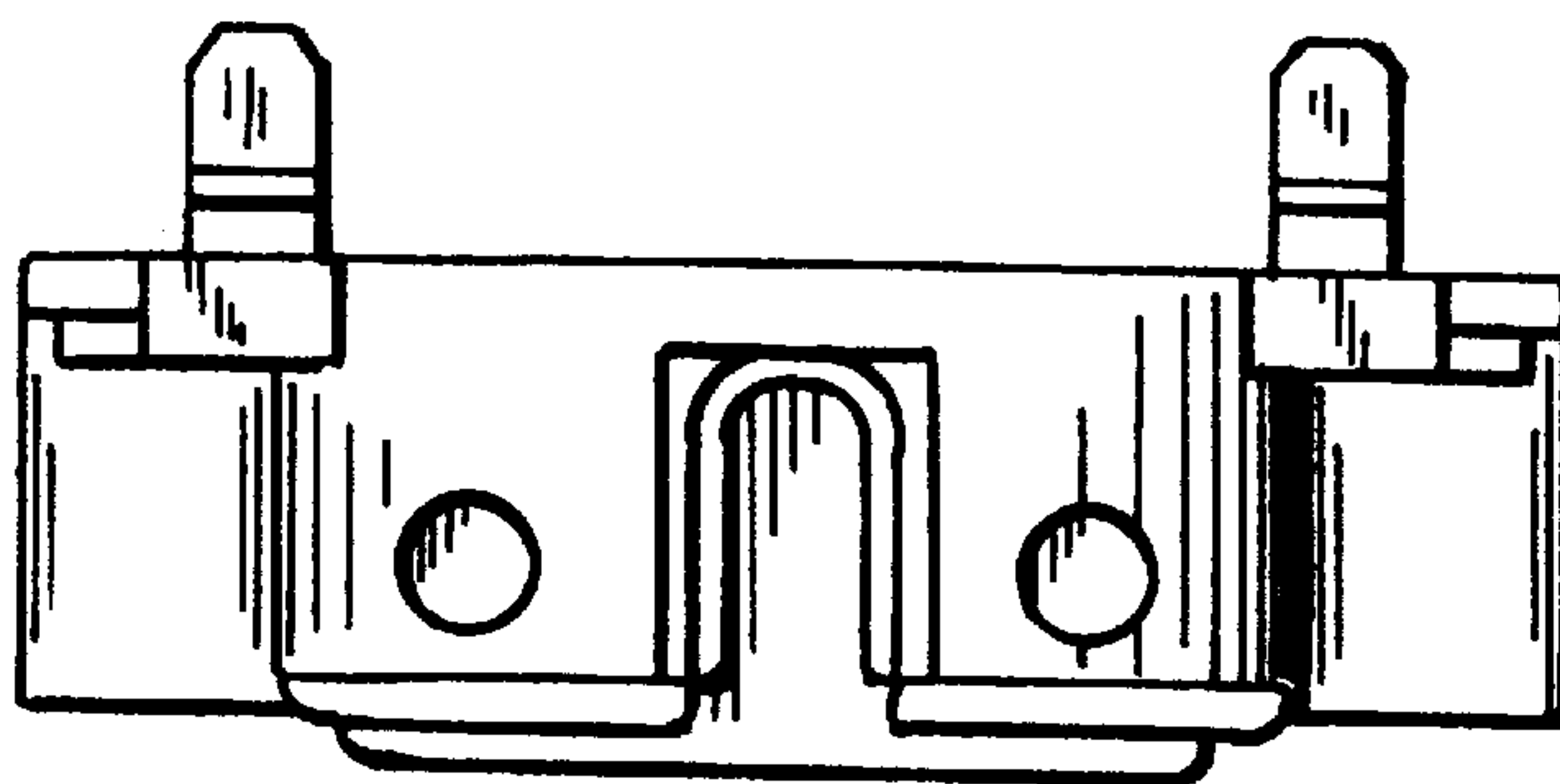


FIG.5



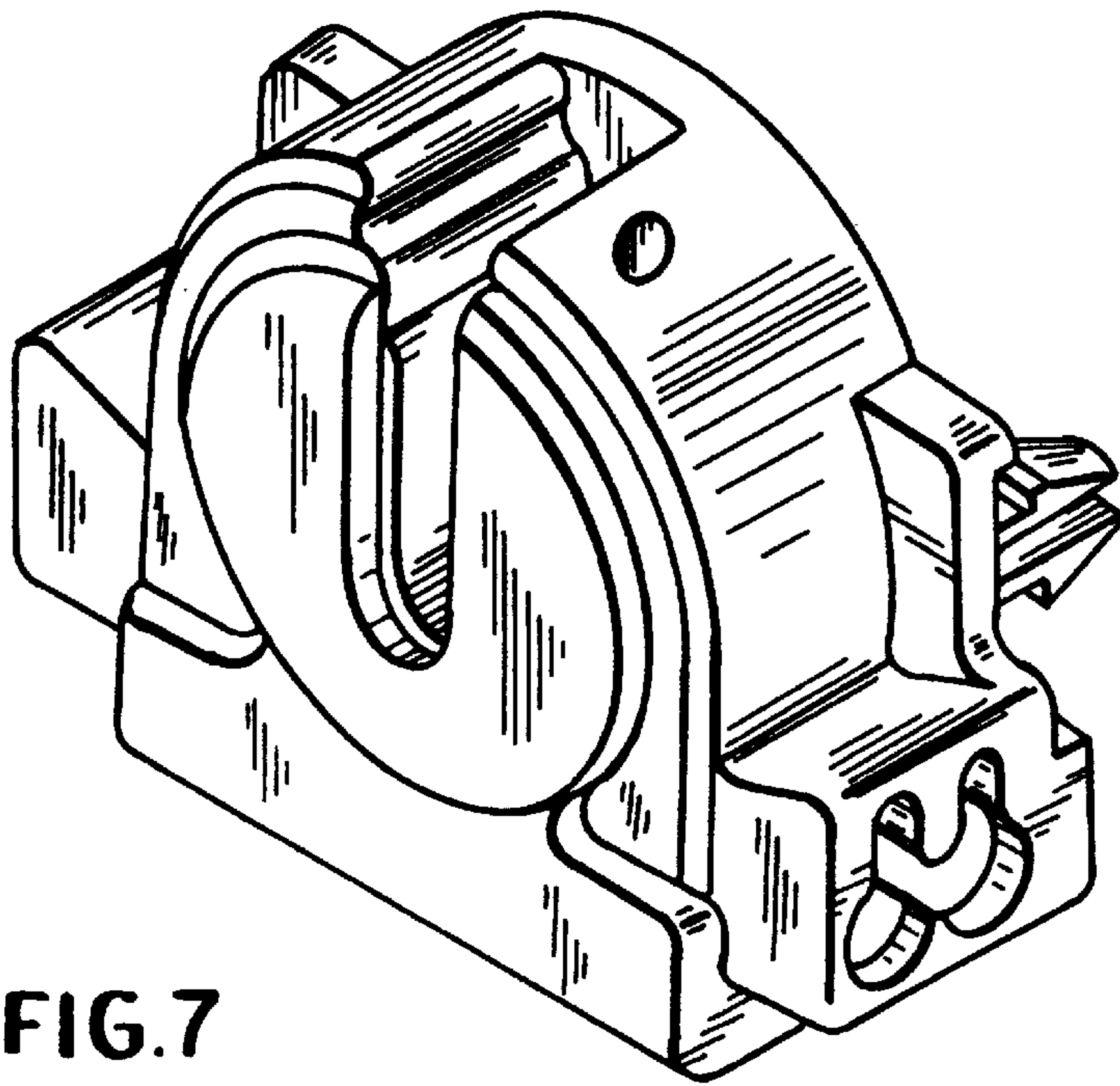


FIG. 7

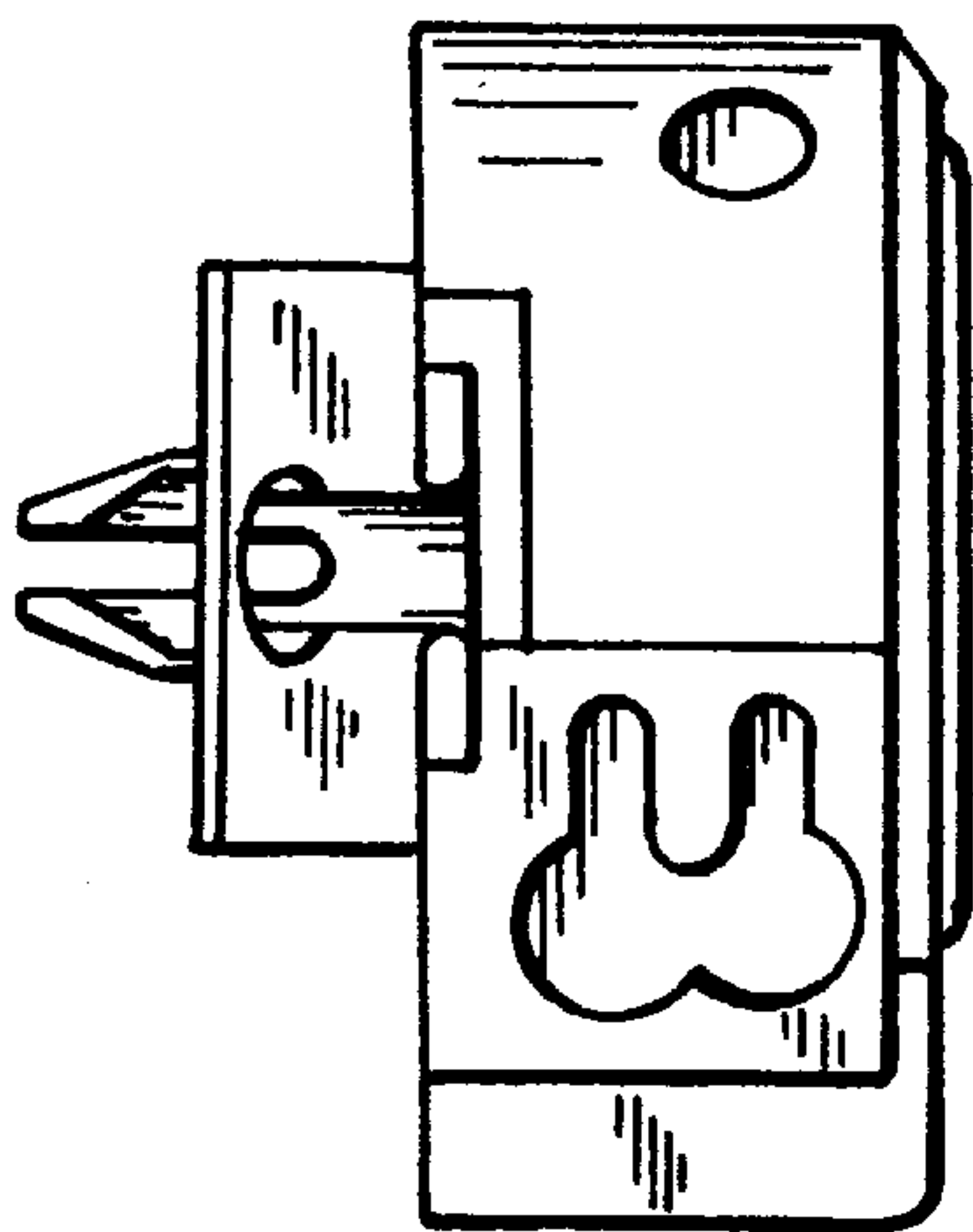


FIG. 9

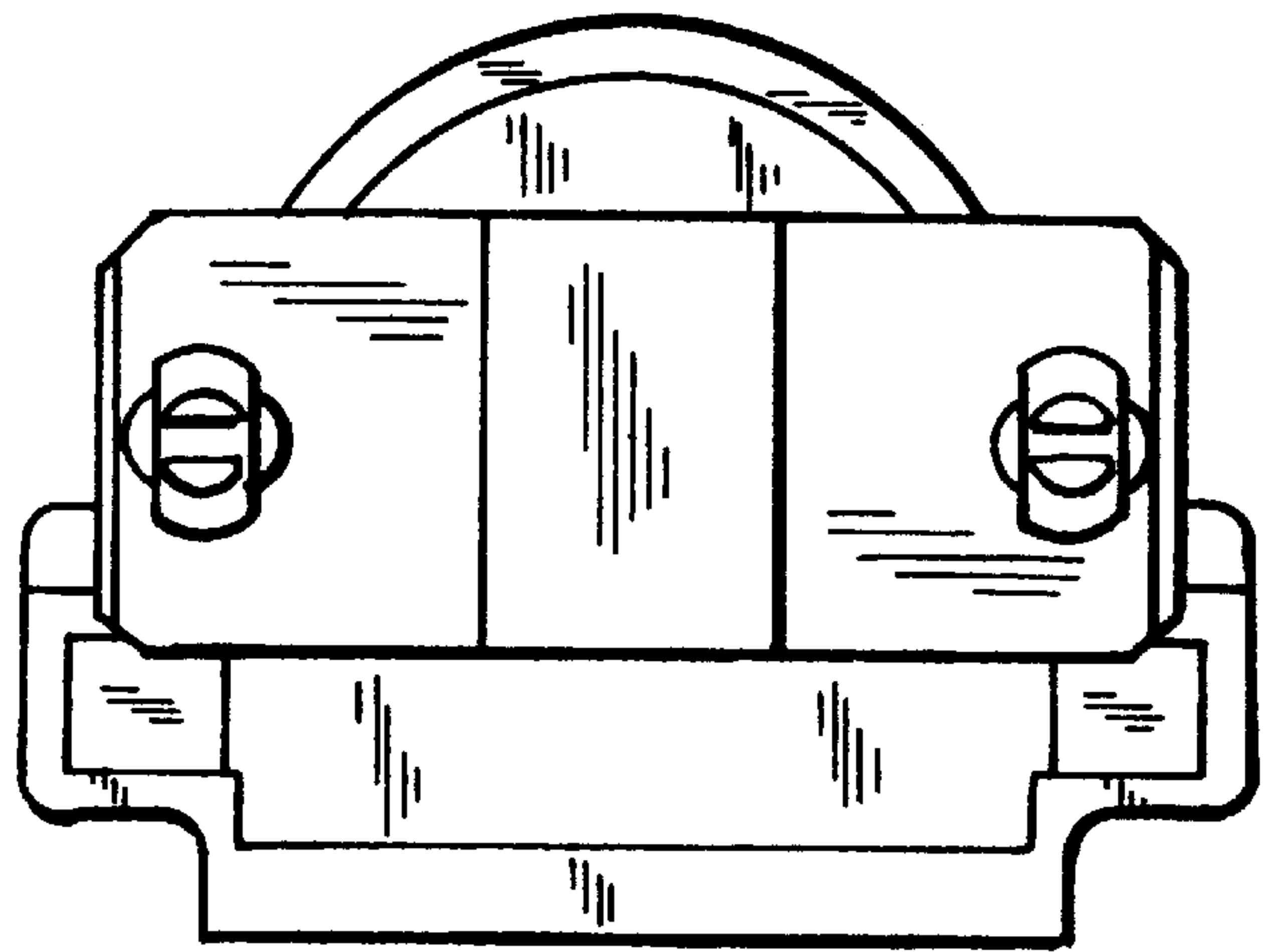


FIG. 10

FIG.12

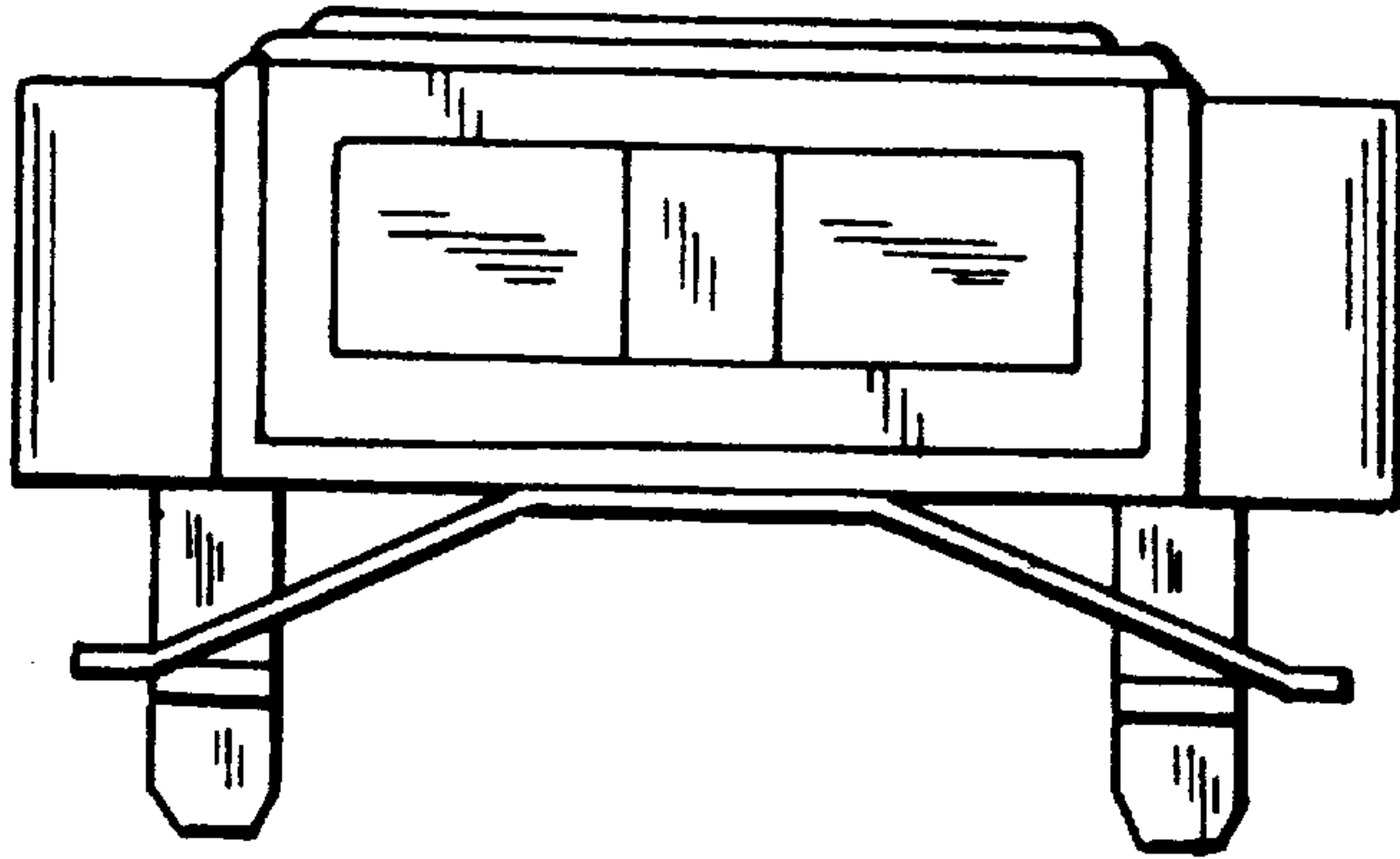


FIG.8

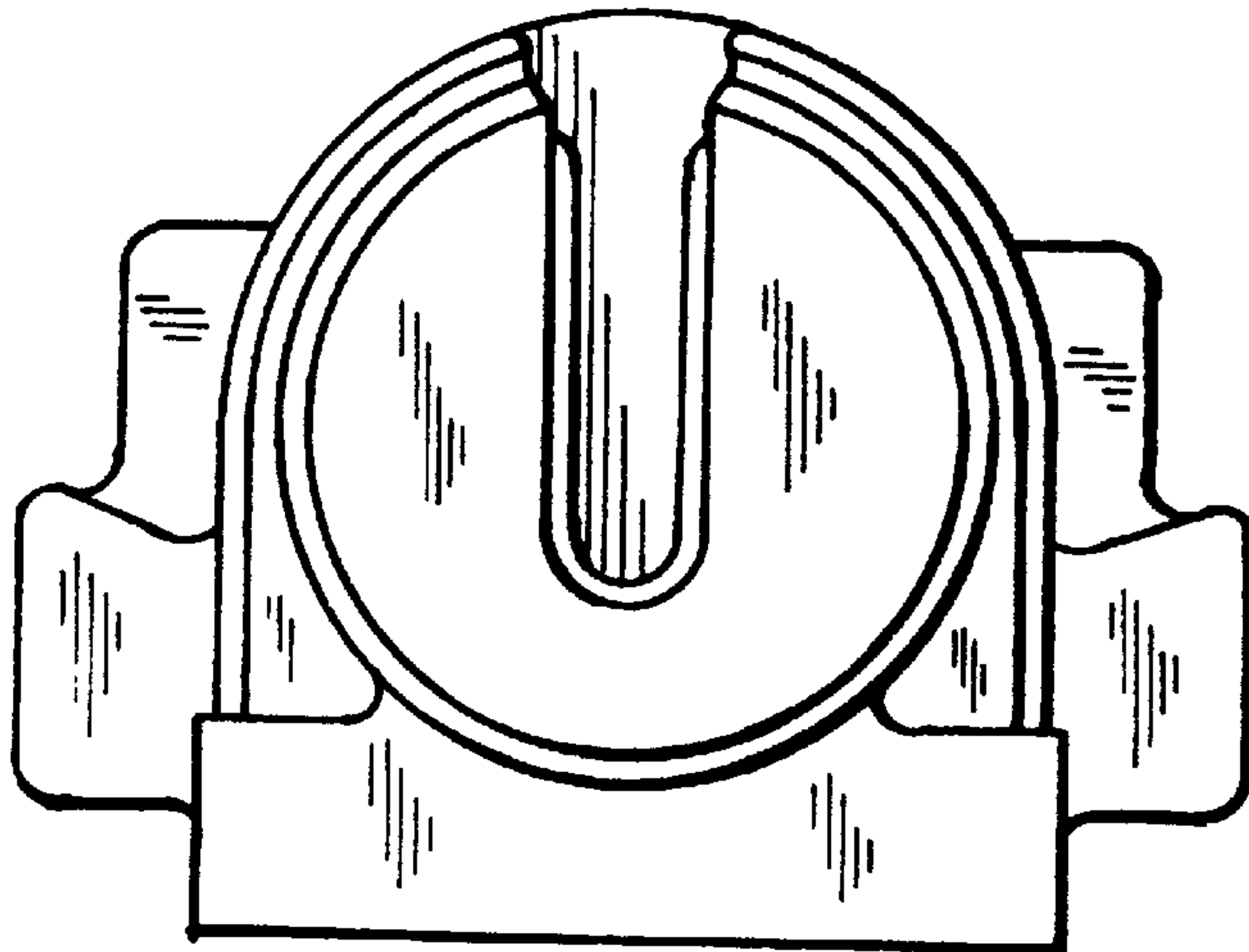


FIG.11

