



US00D420325S

United States Patent [19] Sloey

[11] Patent Number: **Des. 420,325**

[45] Date of Patent: **** Feb. 8, 2000**

[54] **ELECTRICAL CONNECTOR**

[75] Inventor: **Jason S. Sloey**, Milpitas, Calif.

[73] Assignee: **TVM Group, Inc.**, Fremont, Calif.

[**] Term: **14 Years**

[21] Appl. No.: **29/087,060**

[22] Filed: **Apr. 24, 1998**

[51] **LOC (7) Cl.** **13-03**

[52] **U.S. Cl.** **D13/133**

[58] **Field of Search** D13/133; 439/59,
439/62, 67, 630

[56] **References Cited**

U.S. PATENT DOCUMENTS

D. 301,870	6/1989	Shibano	D13/147
D. 368,071	3/1996	Eaton	D13/147
D. 372,220	7/1996	Matthews	D13/133
D. 405,417	2/1999	Matthews	D13/147
D. 408,361	4/1999	Chau et al.	D13/147
D. 410,894	6/1999	Chau et al.	D13/147
3,808,578	4/1974	Hansen	339/59
4,013,329	3/1977	Hugin	439/33
4,379,611	4/1983	Foege et al.	339/217
4,469,388	9/1984	Narozny	439/153
4,550,959	11/1985	Grabbe et al.	439/59 X
4,589,718	5/1986	Szczesny	439/395
4,728,163	3/1988	Kittinger et al.	439/172
4,824,380	4/1989	Matthews	439/833
4,867,713	9/1989	Ozu et al.	439/78
4,969,824	11/1990	Casciotti	439/67 X
5,088,942	2/1992	Welsh et al.	439/843

5,156,552	10/1992	Zaderej et al.	439/59
5,156,553	10/1992	Katsumata et al.	439/62
5,181,853	1/1993	Van Brunt, Jr. et al.	439/67
5,211,589	5/1993	McCardell	439/879
5,261,840	11/1993	Benz	439/843
5,306,182	4/1994	Fukoshima et al.	439/857
5,342,226	8/1994	Hayes et al.	439/845
5,431,576	7/1995	Matthews	439/247

FOREIGN PATENT DOCUMENTS

0549960	7/1993	European Pat. Off.	439/247
---------	--------	--------------------	-------	---------

OTHER PUBLICATIONS

Edge card connector on p. 12B of *Molex Catalog 980, 2nd edition.*

Primary Examiner—Joel Sincavage

Attorney, Agent, or Firm—Flehr Hohbach Test Albritton & Herbert LLP

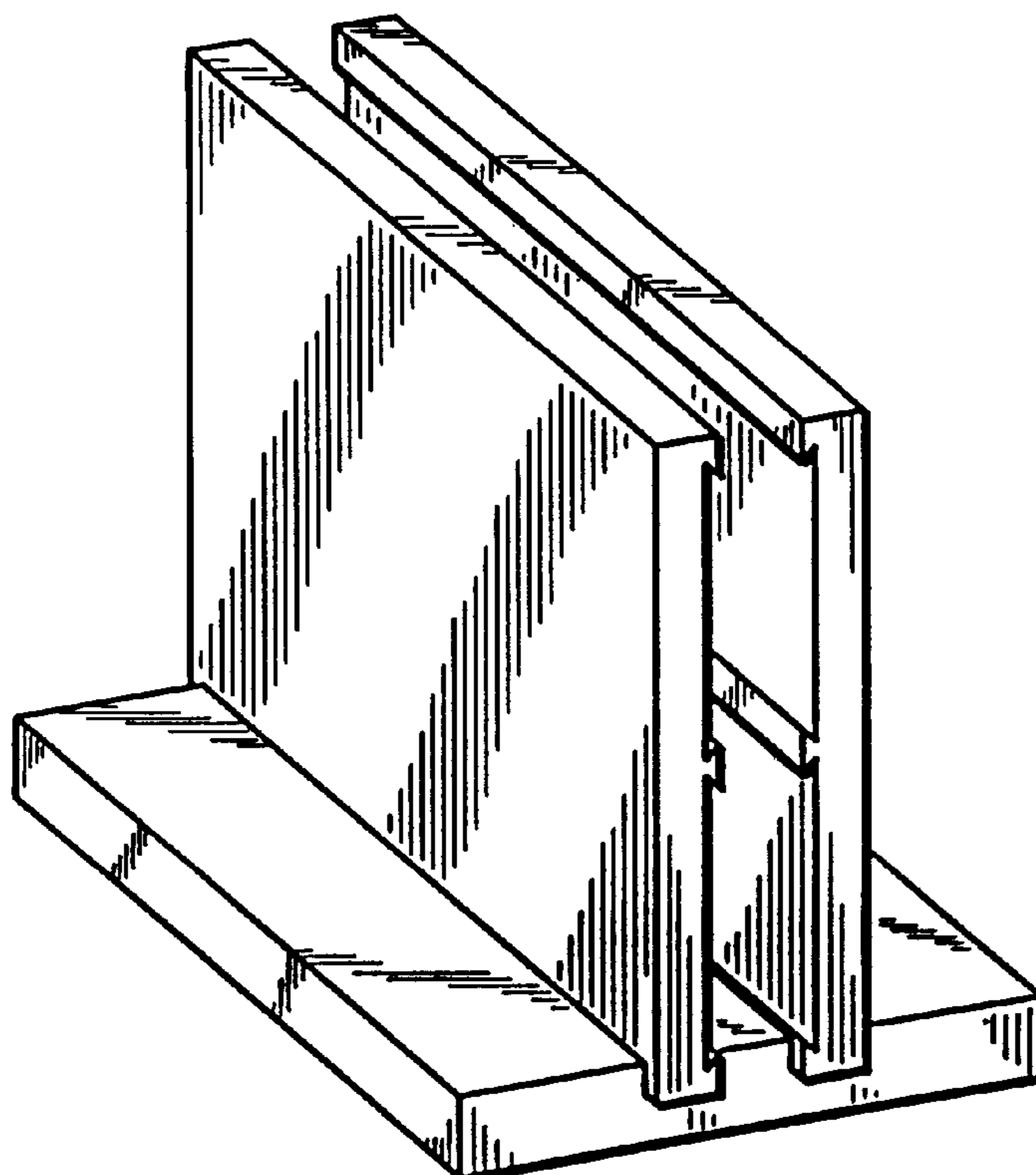
[57] **CLAIM**

The ornamental design for an electrical connector, as shown and described.

DESCRIPTION

FIG. 1 is a perspective view as seen from the front and upper right of an electrical connector showing my new design; FIG. 2 is a left side elevational view thereof, the right side is identical; FIG. 3 is a rear elevational view thereof, the front is identical; FIG. 4 is a top plan view thereof; and, FIG. 5 is a bottom plan view thereof.

1 Claim, 1 Drawing Sheet



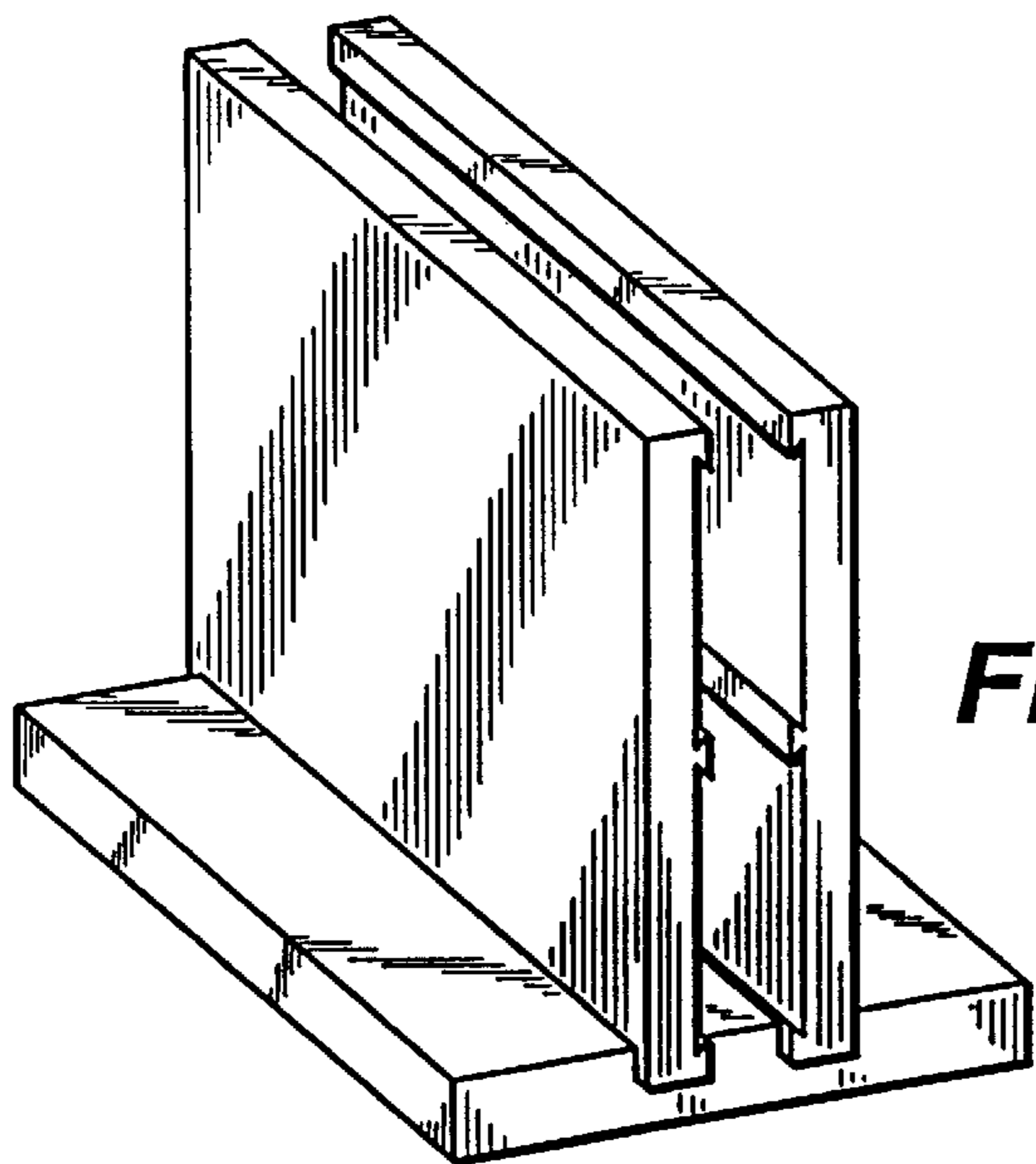


FIG._1

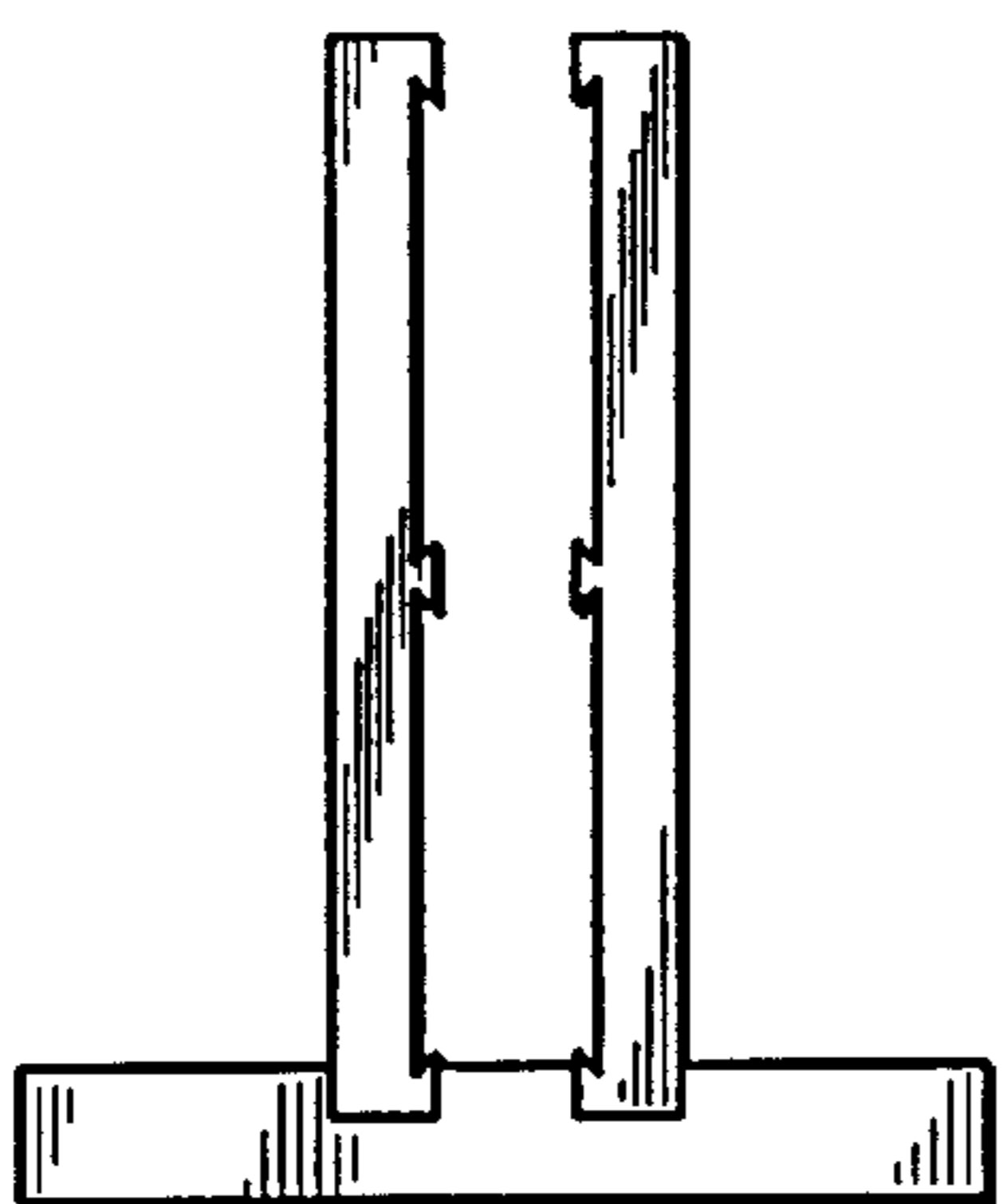


FIG._2

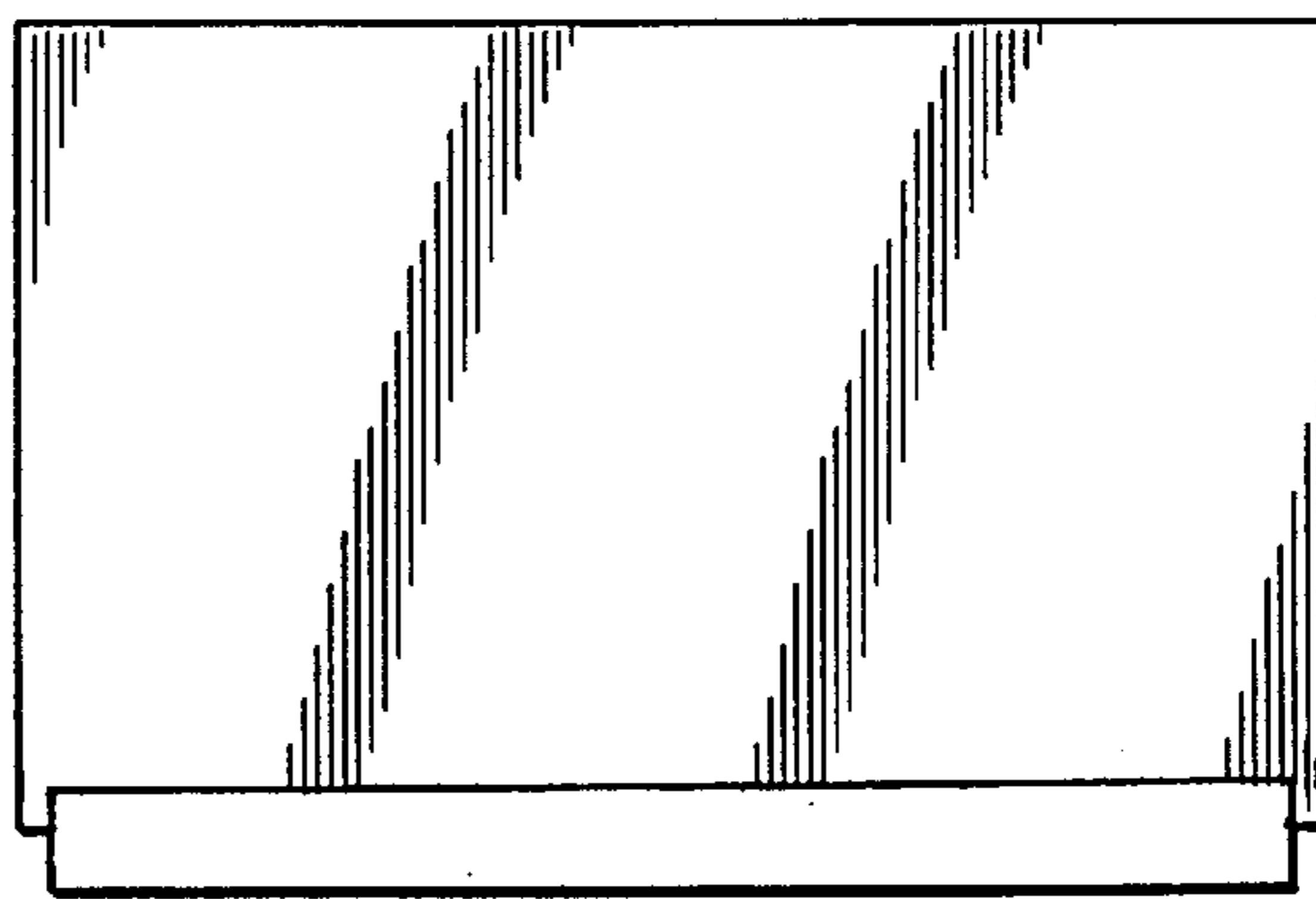


FIG._3

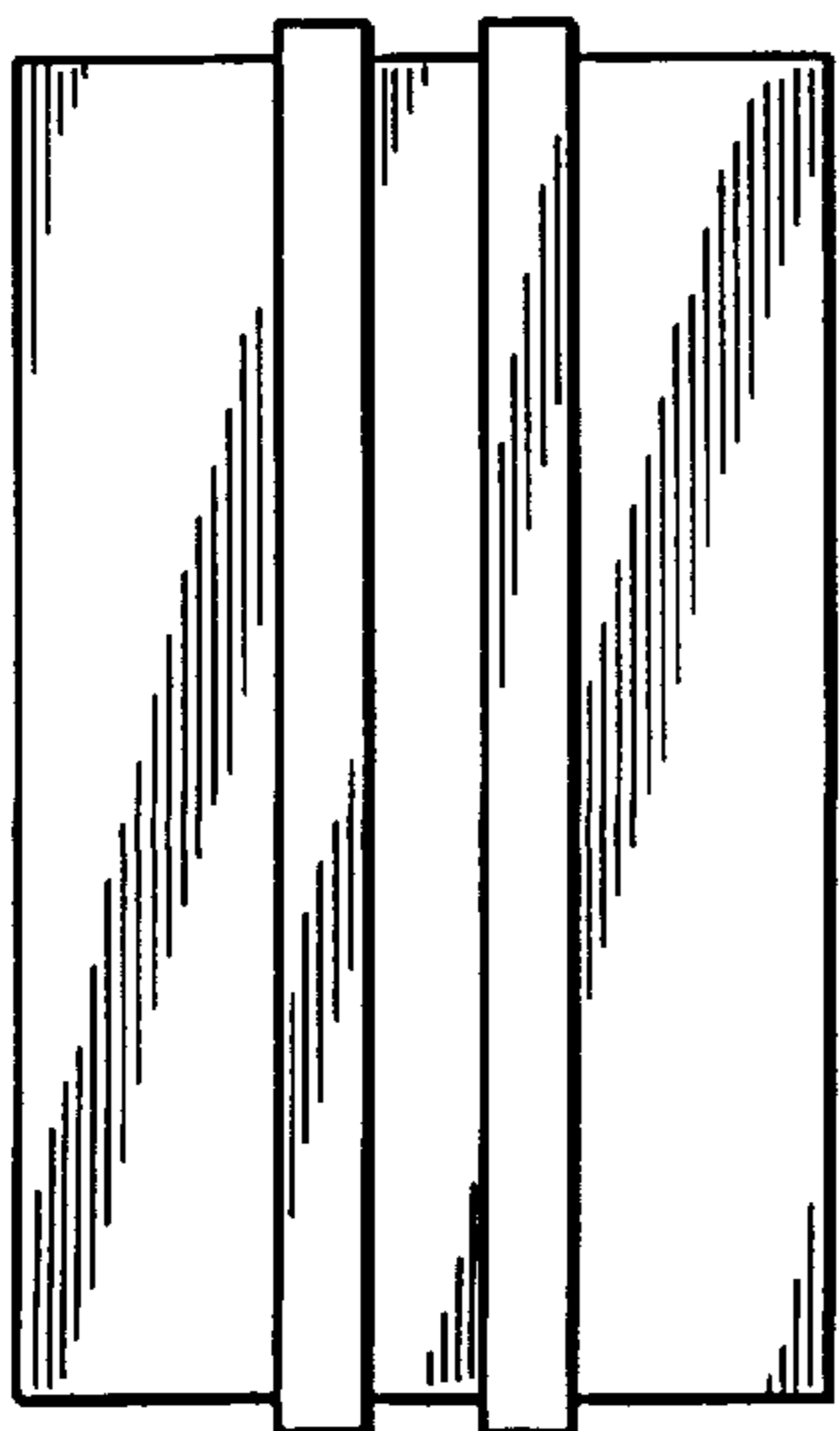


FIG._4

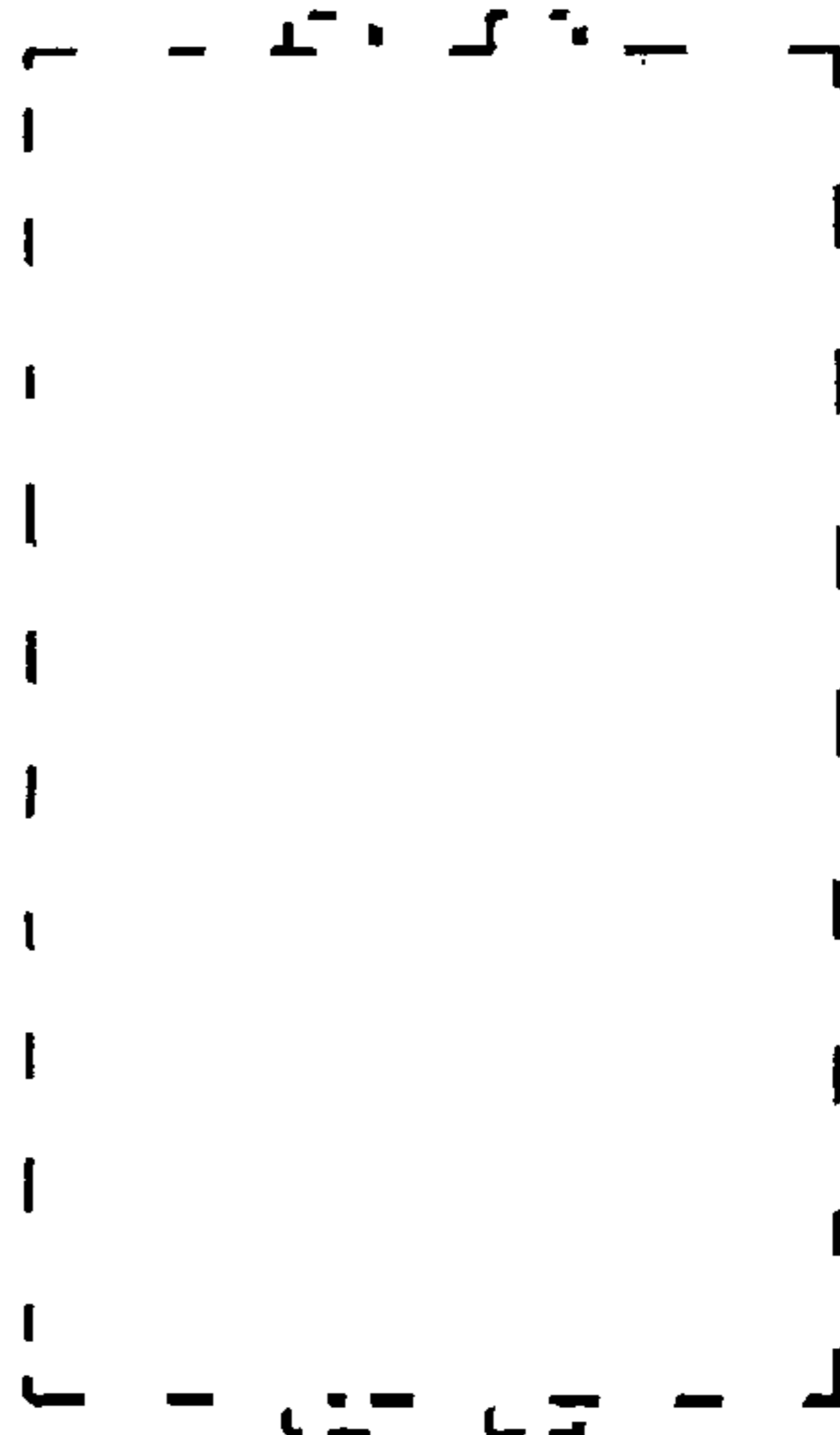


FIG._5