



US00D420323S

United States Patent [19]
Nakamura

[11] **Patent Number: Des. 420,323**
[45] **Date of Patent: ** Feb. 8, 2000**

[54] **CHARGER FOR A BATTERY**
[75] Inventor: **Toshihiro Nakamura**, Tokyo, Japan
[73] Assignee: **Sony Corporation**, Tokyo, Japan
[**] Term: **14 Years**
[21] Appl. No.: **29/093,246**
[22] Filed: **Sep. 8, 1998**
[30] **Foreign Application Priority Data**
Mar. 6, 1998 [JP] Japan 10-6279
[51] **LOC (7) Cl.** **13-02**
[52] **U.S. Cl.** **D13/107**
[58] **Field of Search** D13/107, 108,
D13/118; D14/251, 253, 149; 320/110,
112, 113, 114, 115

5,287,052 2/1994 Wang 320/2
5,306,956 4/1994 Ikeda et al. 320/2 X
5,686,810 11/1997 Yasui 320/2

OTHER PUBLICATIONS

Sony Catalog, "Accessory 63", pp. 9, 10 & 69, (Mar. 1998).

Primary Examiner—Joel Sincavage
Attorney, Agent, or Firm—Foley & Lardner

[57] **CLAIM**

The ornamental design for a charger for a battery, as shown and described.

DESCRIPTION

FIG. 1 is a perspective view of a charger for a battery showing my new design;
FIG. 2 is a top plan view thereof;
FIG. 3 is a left side elevational view thereof;
FIG. 4 is a front elevational view thereof;
FIG. 5 is a bottom plan view thereof;
FIG. 6 is a right side elevational view thereof; and,
FIG. 7 is a rear elevational view thereof.

[56] **References Cited**
U.S. PATENT DOCUMENTS
D. 265,899 8/1982 House, II D13/107
D. 278,426 4/1985 Lanci et al. D13/107
D. 298,136 10/1988 Toth et al. D13/108

1 Claim, 4 Drawing Sheets

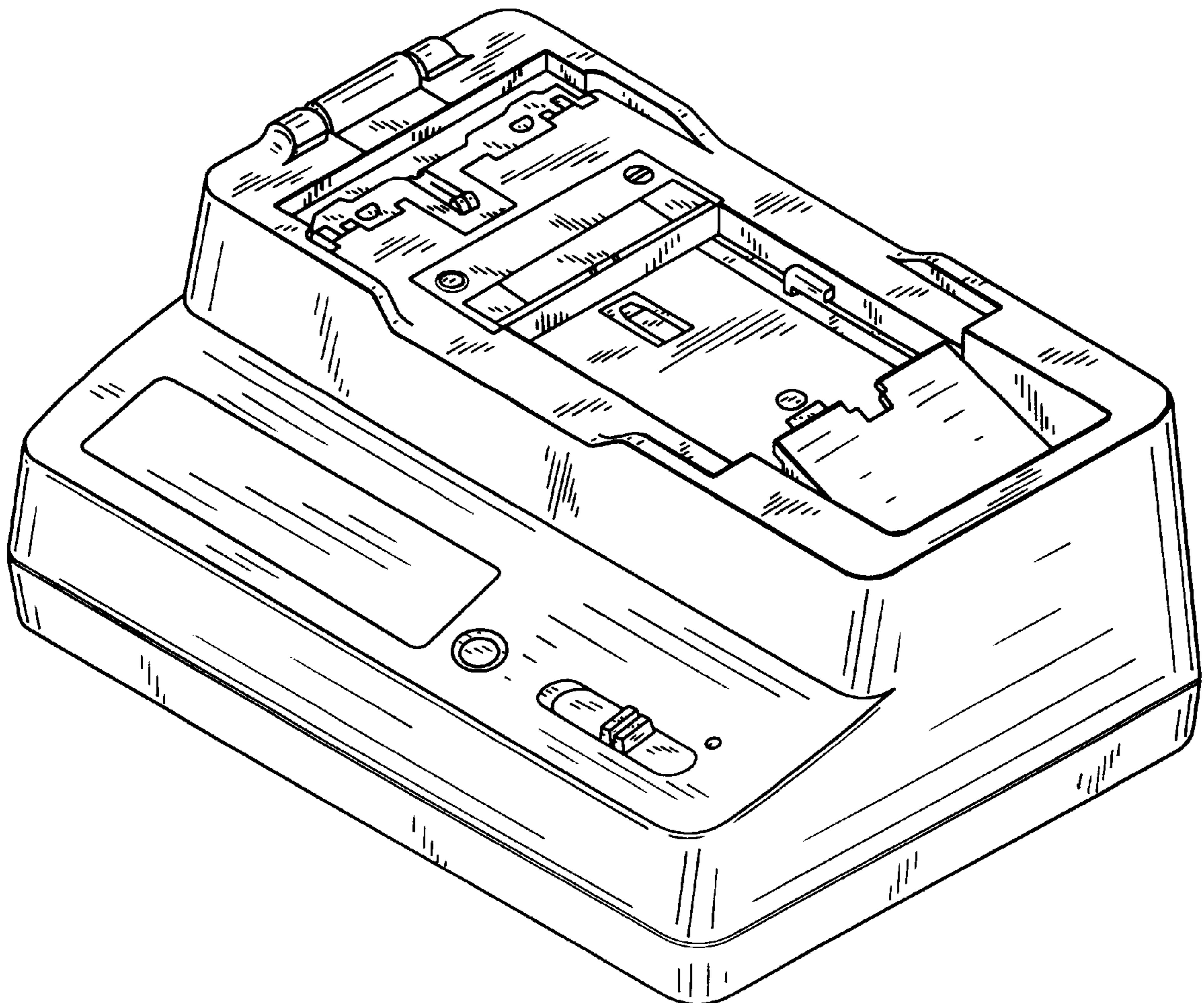


FIG. 1

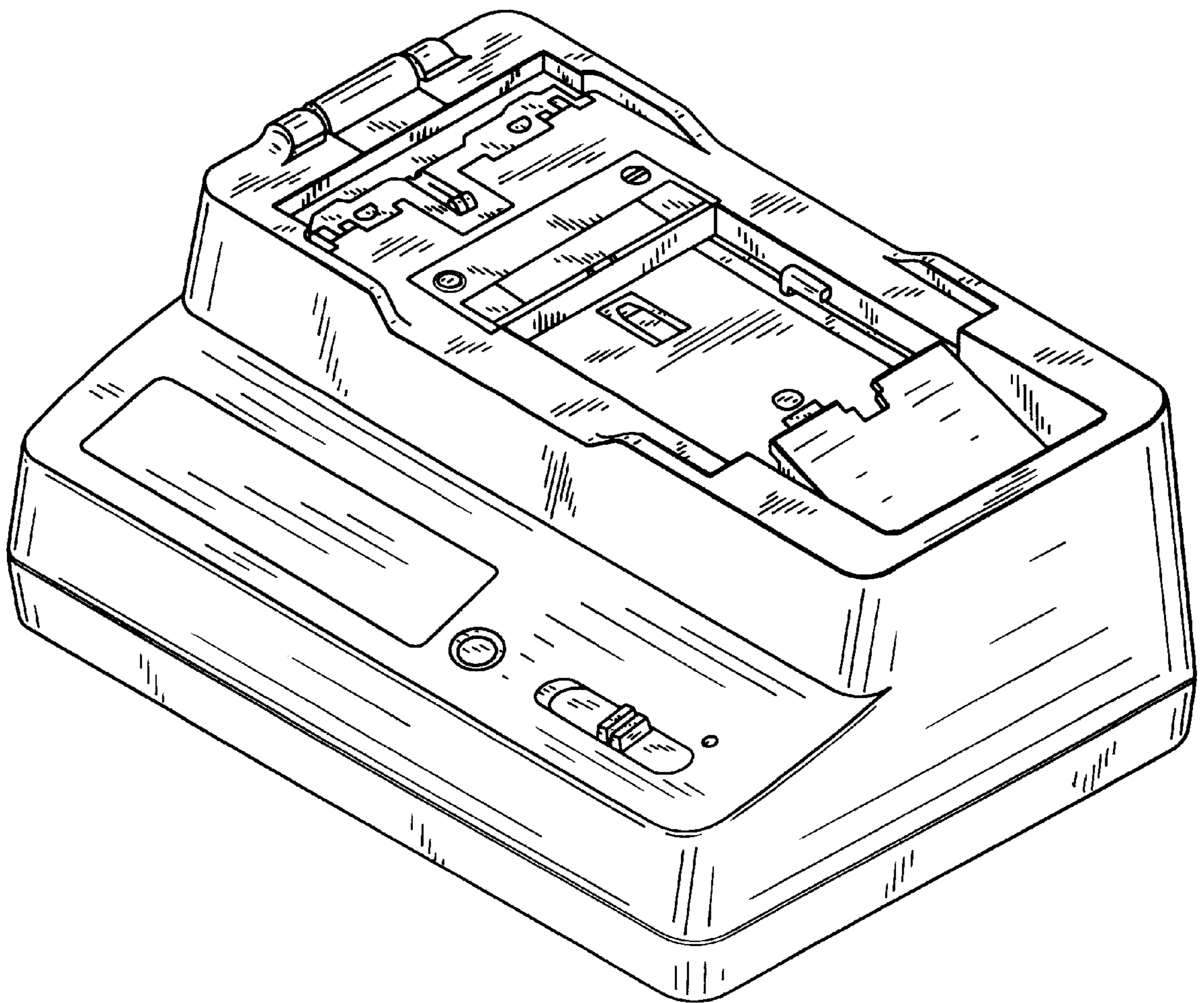


FIG. 2

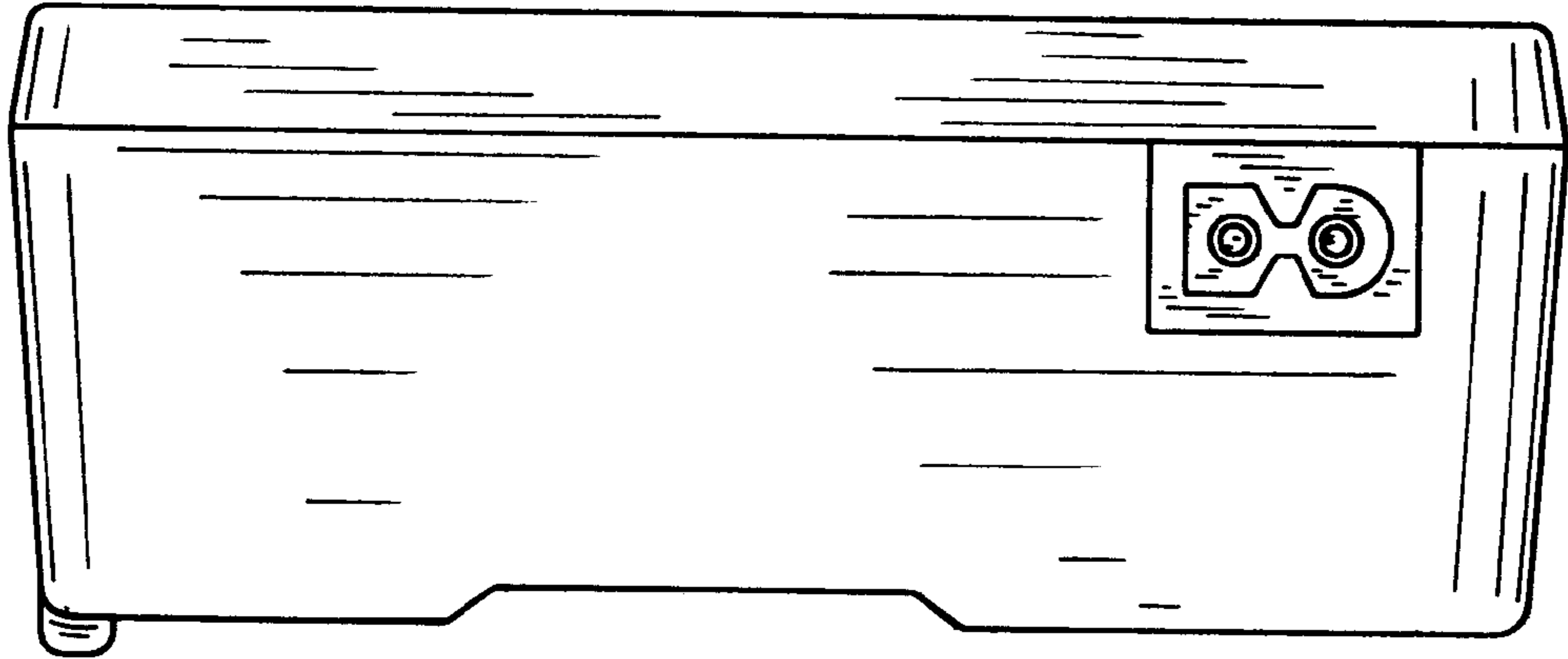


FIG. 5

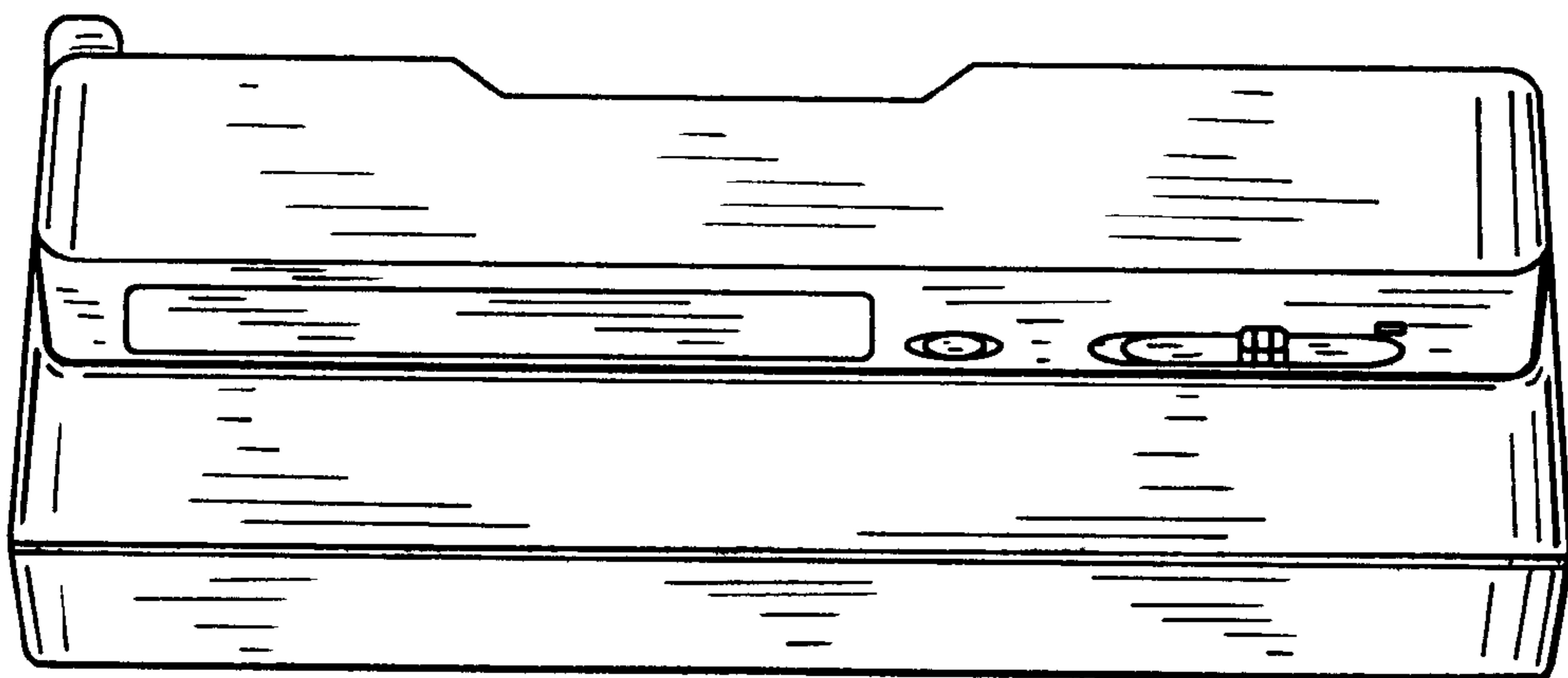


FIG. 3

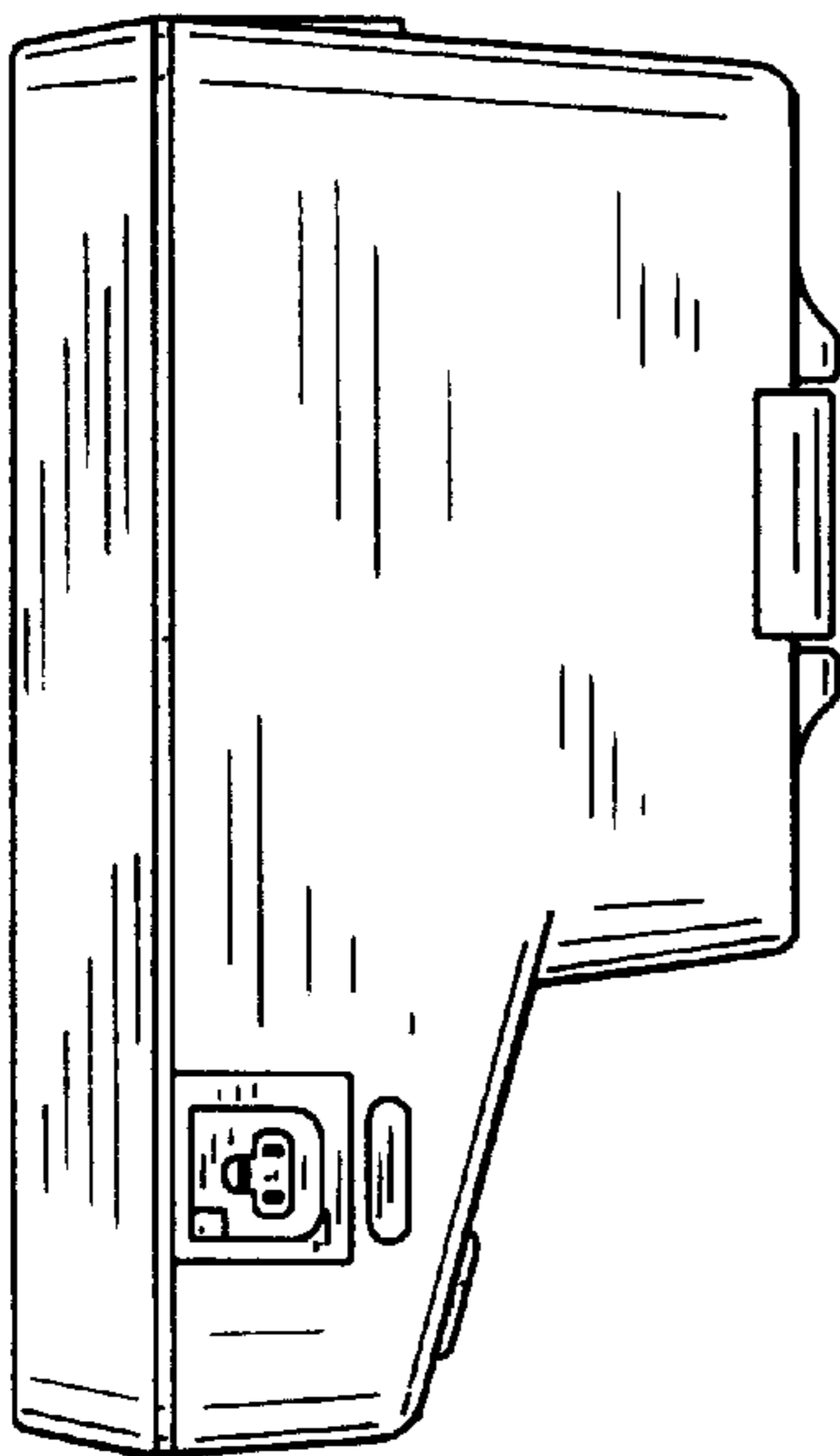


FIG. 6

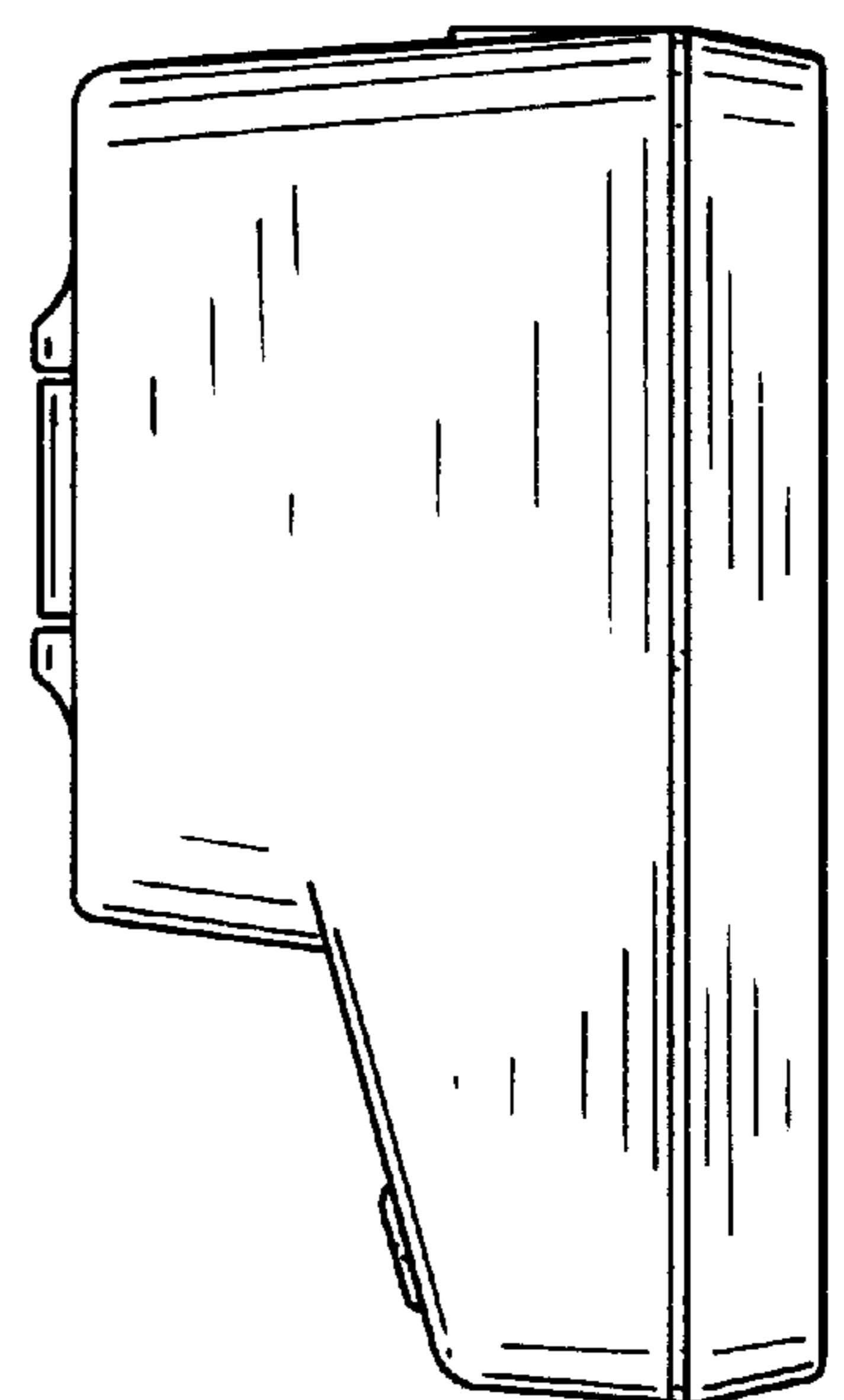


FIG. 4

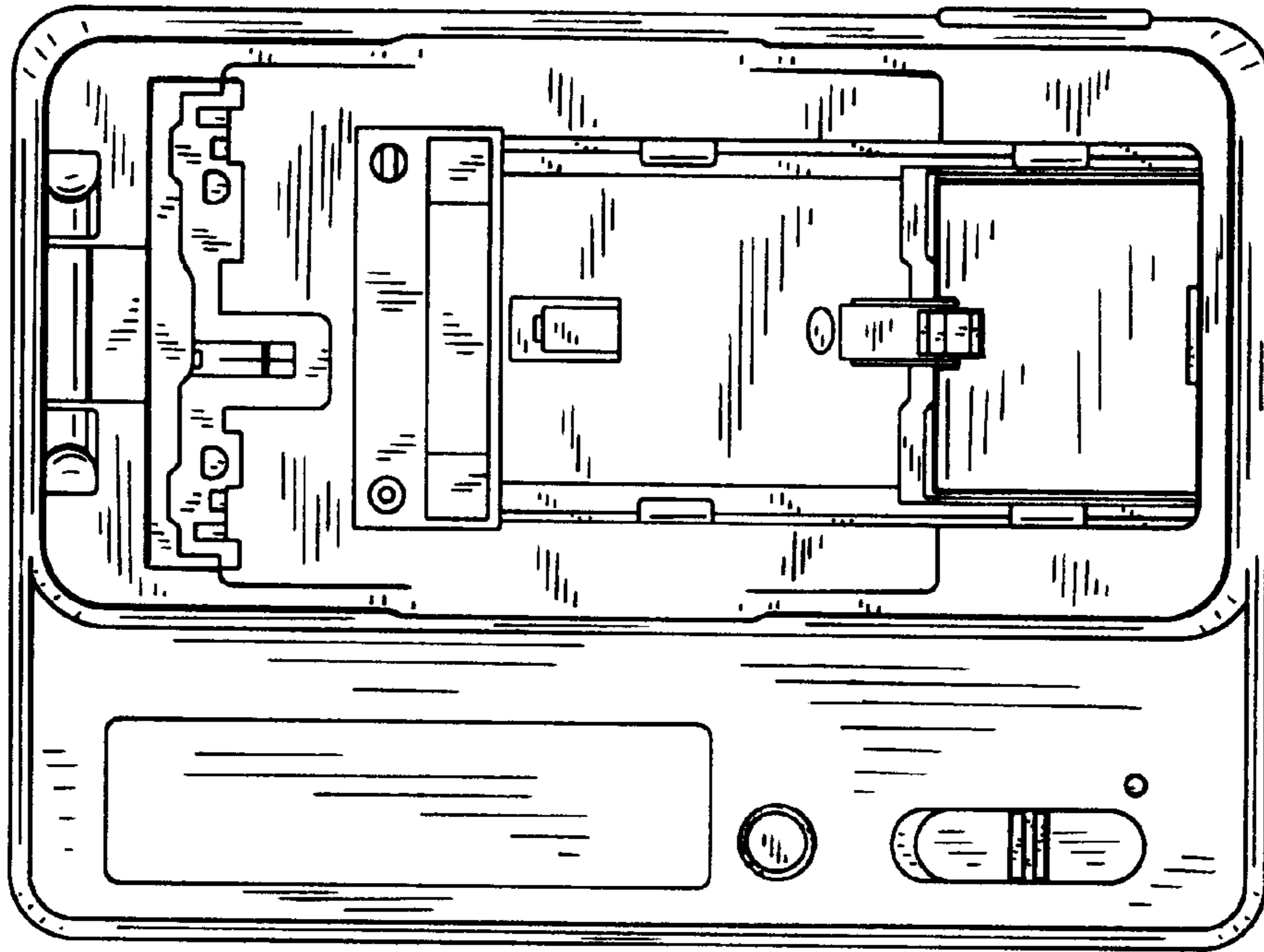


FIG. 7

