



US00D420316S

# United States Patent [19]

[11] **Patent Number: Des. 420,316**

**Hanlon et al.**

[45] **Date of Patent: \*\* Feb. 8, 2000**

[54] **MOTORCYCLE MUFFLER**

3,396,813	8/1968	Hall .....	181/282
3,655,011	4/1972	Willett .....	181/228
4,705,138	11/1987	Reese .....	181/228

[75] Inventors: **Daniel L. Hanlon**, Burnsville; **David P. Hanlon**; **Jennie L. Hanlon**, both of Apple Valley; **Anthony N. Pink**, Prior Lake, all of Minn.

### OTHER PUBLICATIONS

Harley-Davidson SuperGlide Muffler, Harley-Davidson "Genuine" Parts and Accessories Catalog, p. 12, Dec. 1995.

[73] Assignee: **Excelsior-Henderson Motorcycle Manufacturing Company**, Belle Plaine, Minn.

*Primary Examiner*—Robert M. Spear  
*Attorney, Agent, or Firm*—Schwegman, Lundberg, Woessner & Kluth, P.A.

[\*\*] Term: **14 Years**

### [57] CLAIM

[21] Appl. No.: **29/091,339**

The ornamental design for a motorcycle muffler, as shown and described.

[22] Filed: **Jul. 28, 1998**

### DESCRIPTION

[51] **LOC (7) Cl.** ..... **12-16**

[52] **U.S. Cl.** ..... **D12/194**

[58] **Field of Search** ..... D12/114, 194, D12/400; 29/890, 890.08; 60/317; 181/227, 228, 247, 256, 257, 264, 282

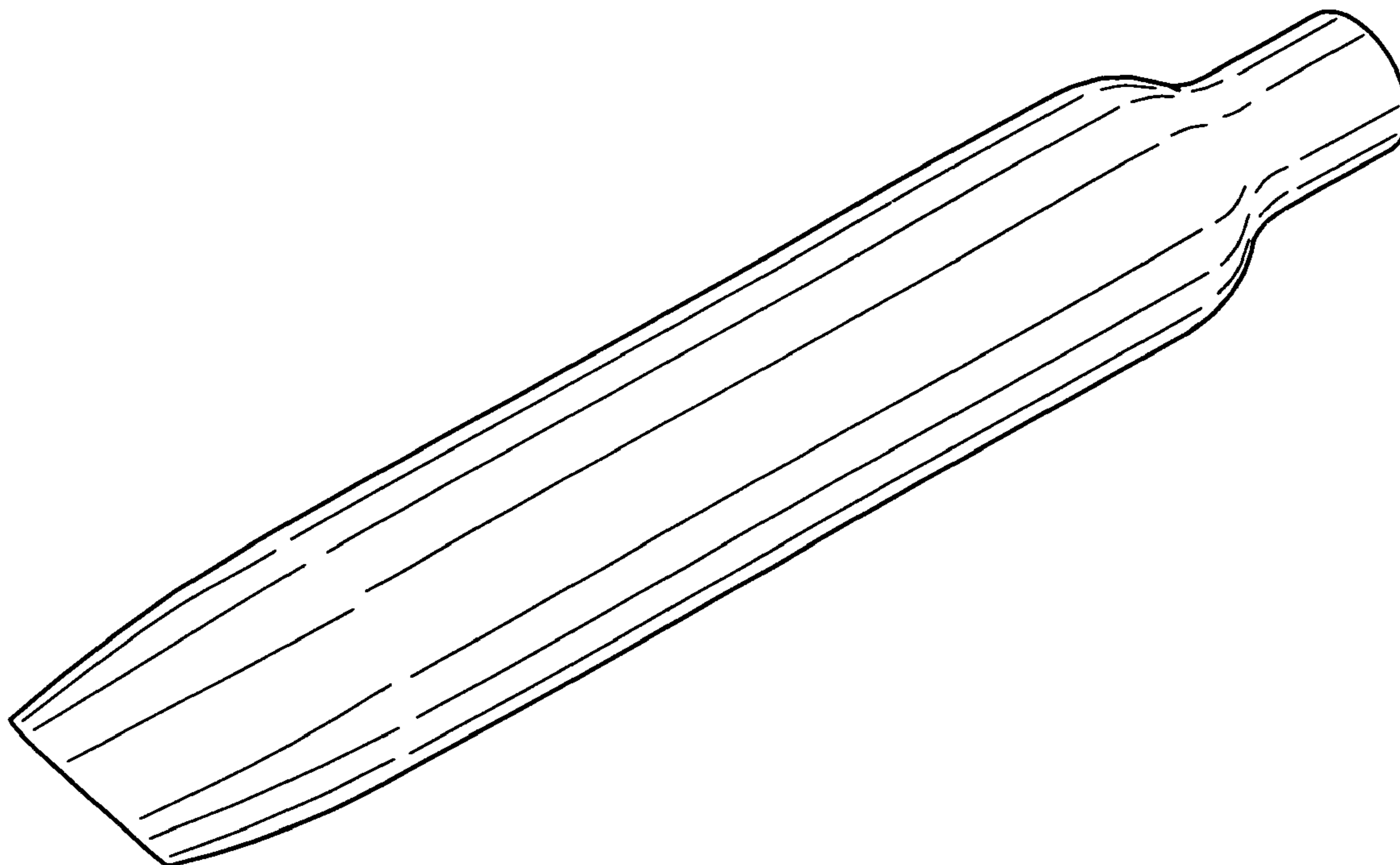
FIG. 1 is a top rear perspective view of a motorcycle muffler incorporating a design according to the invention. FIG. 2 is a top view of the motorcycle muffler of FIG. 1. FIG. 3 is a right side view of the motorcycle muffler of FIG. 1, the left side view being a mirror image thereof. FIG. 4 is a front end view of the motorcycle muffler of FIG. 1; and, FIG. 5 is a rear end view of the motorcycle muffler of FIG. 1.

### [56] References Cited

#### U.S. PATENT DOCUMENTS

D. 189,573	1/1961	Russell .....	D12/194
D. 394,236	5/1998	Verlengiere .....	D12/194
2,449,756	9/1948	Trautmann .....	D12/194 X

**1 Claim, 1 Drawing Sheet**



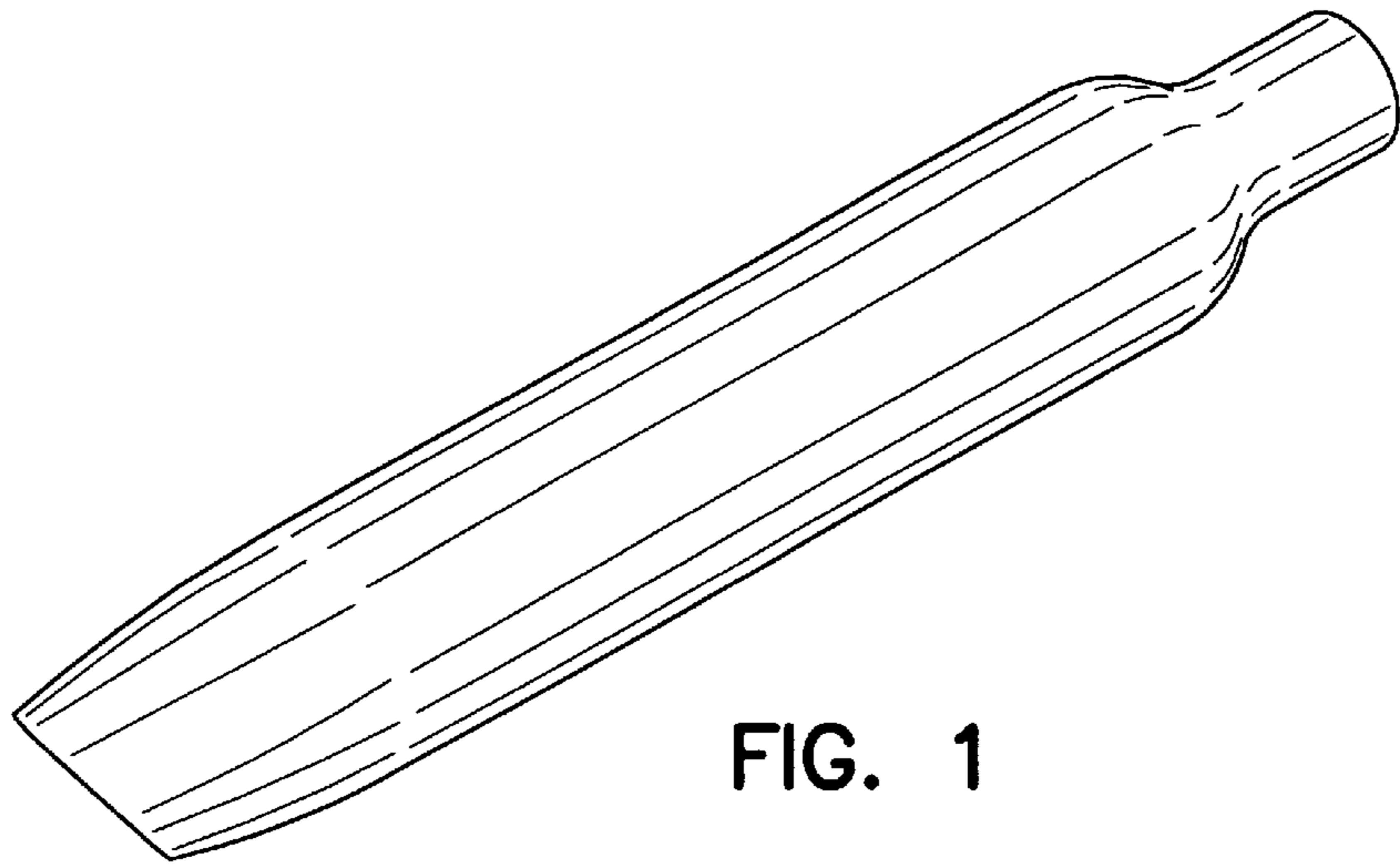


FIG. 1

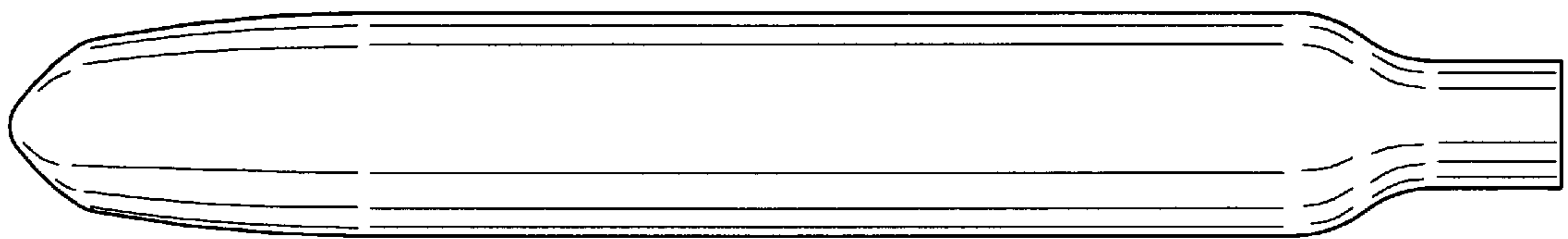


FIG. 2

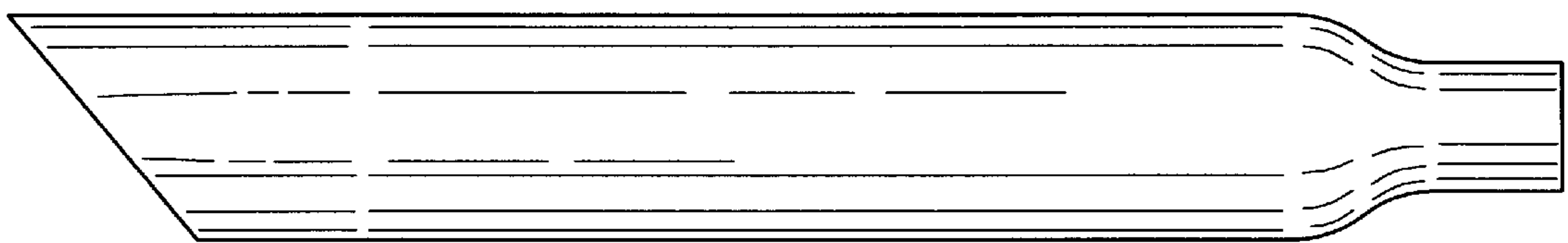


FIG. 3

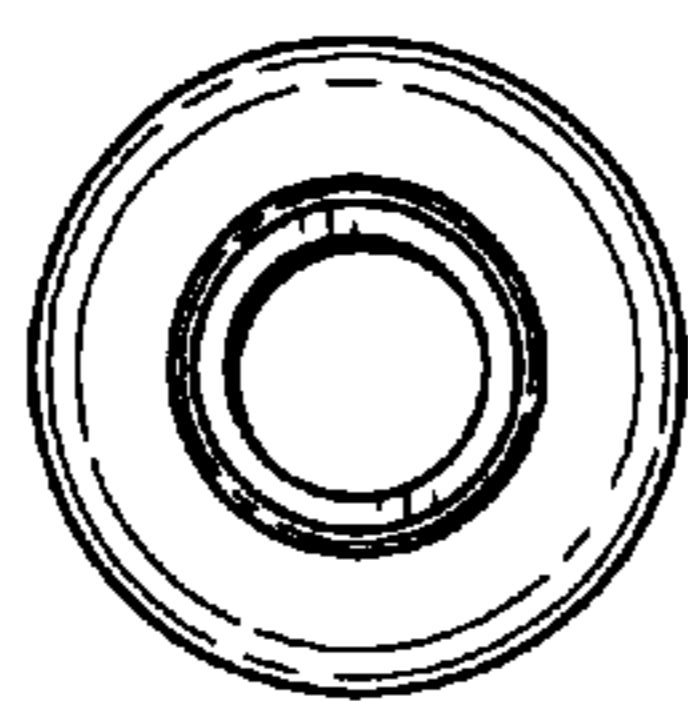


FIG. 4

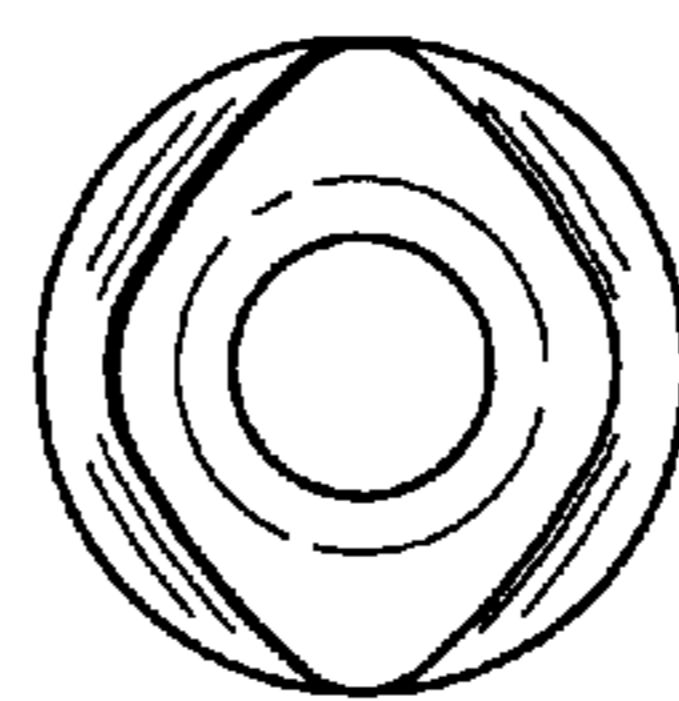


FIG. 5