



US00D420315S

United States Patent [19] Hardy

[11] Patent Number: **Des. 420,315**

[45] Date of Patent: **** Feb. 8, 2000**

[54] **COMBINED REARVIEW MIRROR AND WIPER**

3,968,537	7/1976	Wagenhofer	15/250.29
4,466,712	8/1984	Vitaloni	359/507
4,672,708	6/1987	Williams	15/250.003

[76] Inventor: **Stan Hardy**, Braeside Cottage, Pitlochry, Perthshire, Scotland, United Kingdom, PH16 5JS

Primary Examiner—Ralf Seifert
Attorney, Agent, or Firm—Rader, Fishman & Grauer PLLC

[**] Term: **14 Years**

[57] **CLAIM**

[21] Appl. No.: **29/078,280**

The ornamental design for a combined rearview mirror and wiper, as shown and described.

[22] Filed: **Oct. 23, 1997**

DESCRIPTION

[51] **LOC (7) Cl.** **12-16**

[52] **U.S. Cl.** **D12/188**

[58] **Field of Search** D12/187, 188,
D12/189; 359/838, 871; 15/250.3, 250.003,
250.29, 250.15, 250.12, 250.01

FIG. 1 is a front elevational view of a combined rearview mirror and wiper showing my new design;
FIG. 2 is a rear elevational view;
FIG. 3 is a right side elevational view;
FIG. 4 is a left side elevational view;
FIG. 5 is a top plan view;
FIG. 6 is a bottom plan view; and,
FIG. 7 is a perspective view.

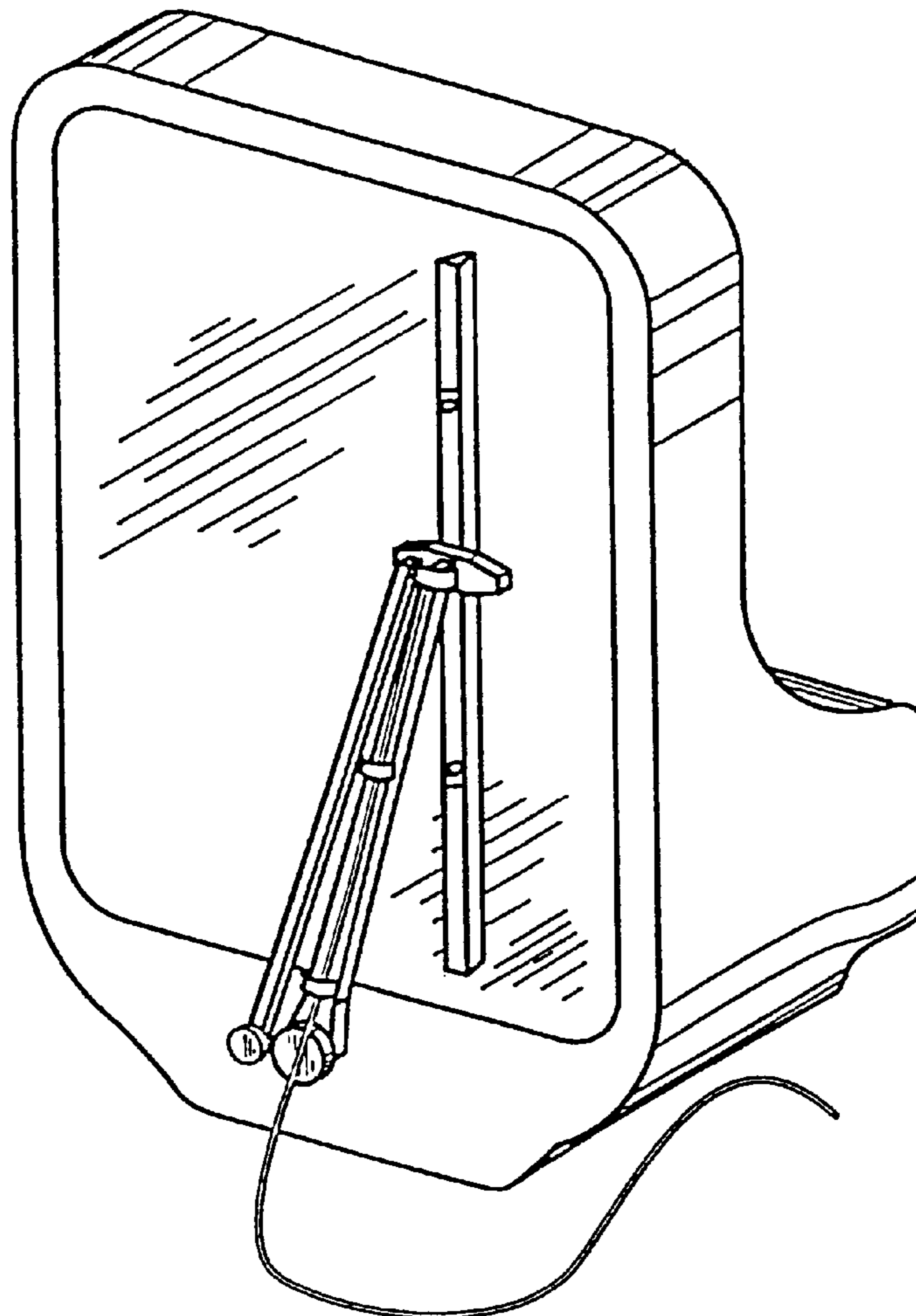
[56] **References Cited**

U.S. PATENT DOCUMENTS

D. 325,718	4/1992	Dettling	D12/188
D. 328,275	7/1992	Nelson et al.	D12/188
2,913,754	11/1959	Vander Zee	15/250.3
3,855,661	12/1974	Prince	15/250.01

It being understood that the fluid supply hose and retaining clips have been removed from FIGS. 1 and 2 for ease of illustration.

1 Claim, 4 Drawing Sheets



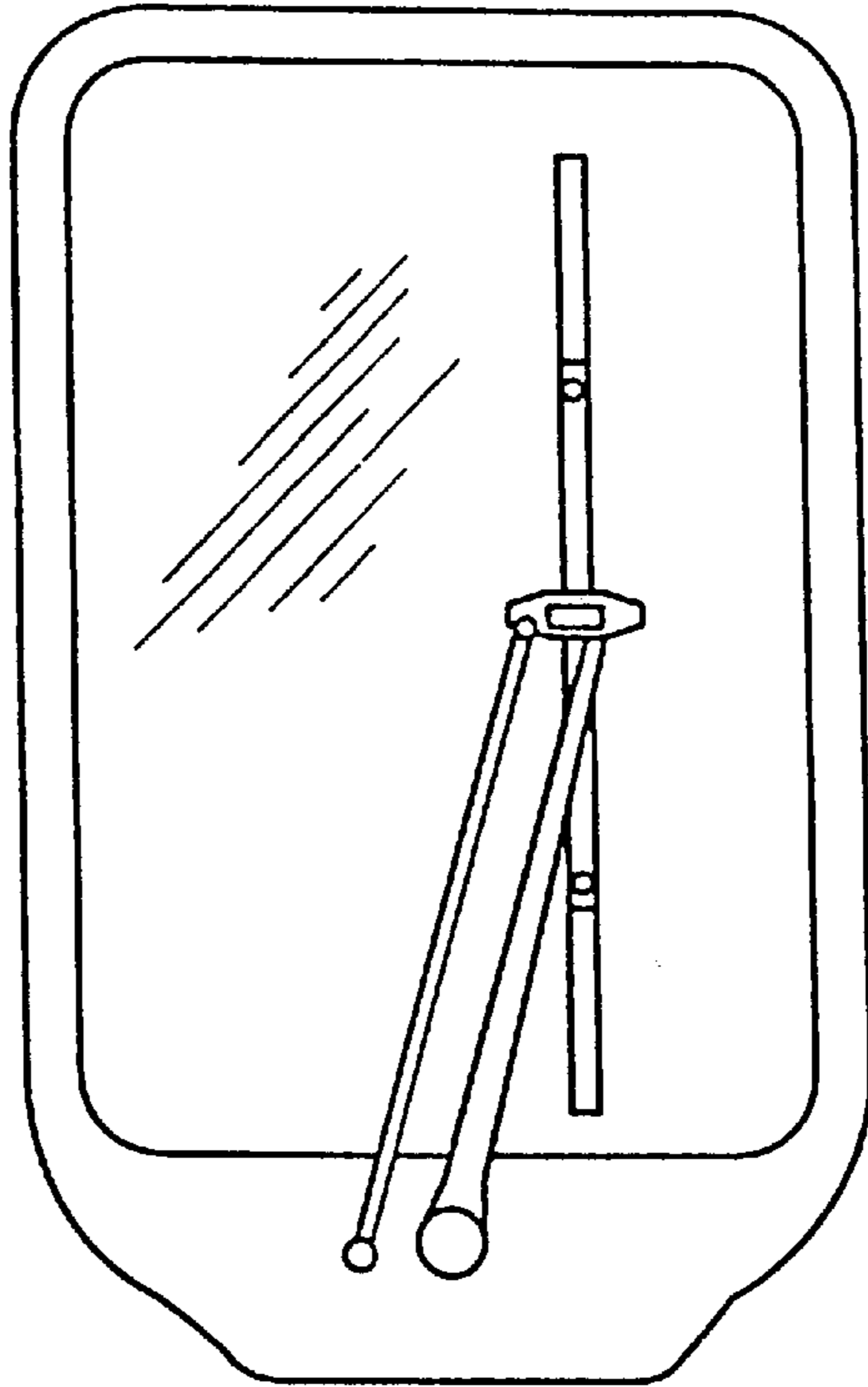


FIG 1

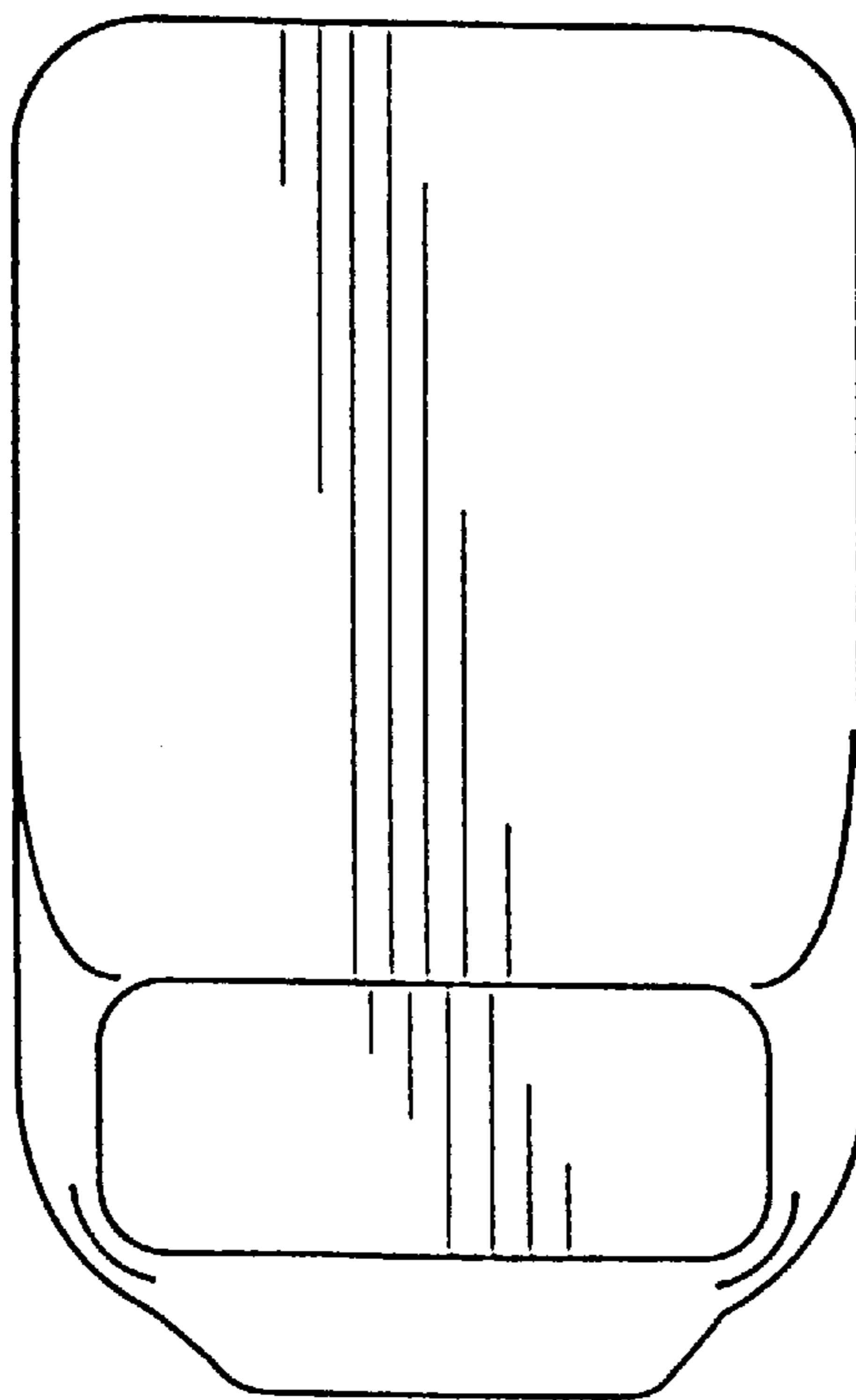


FIG 2

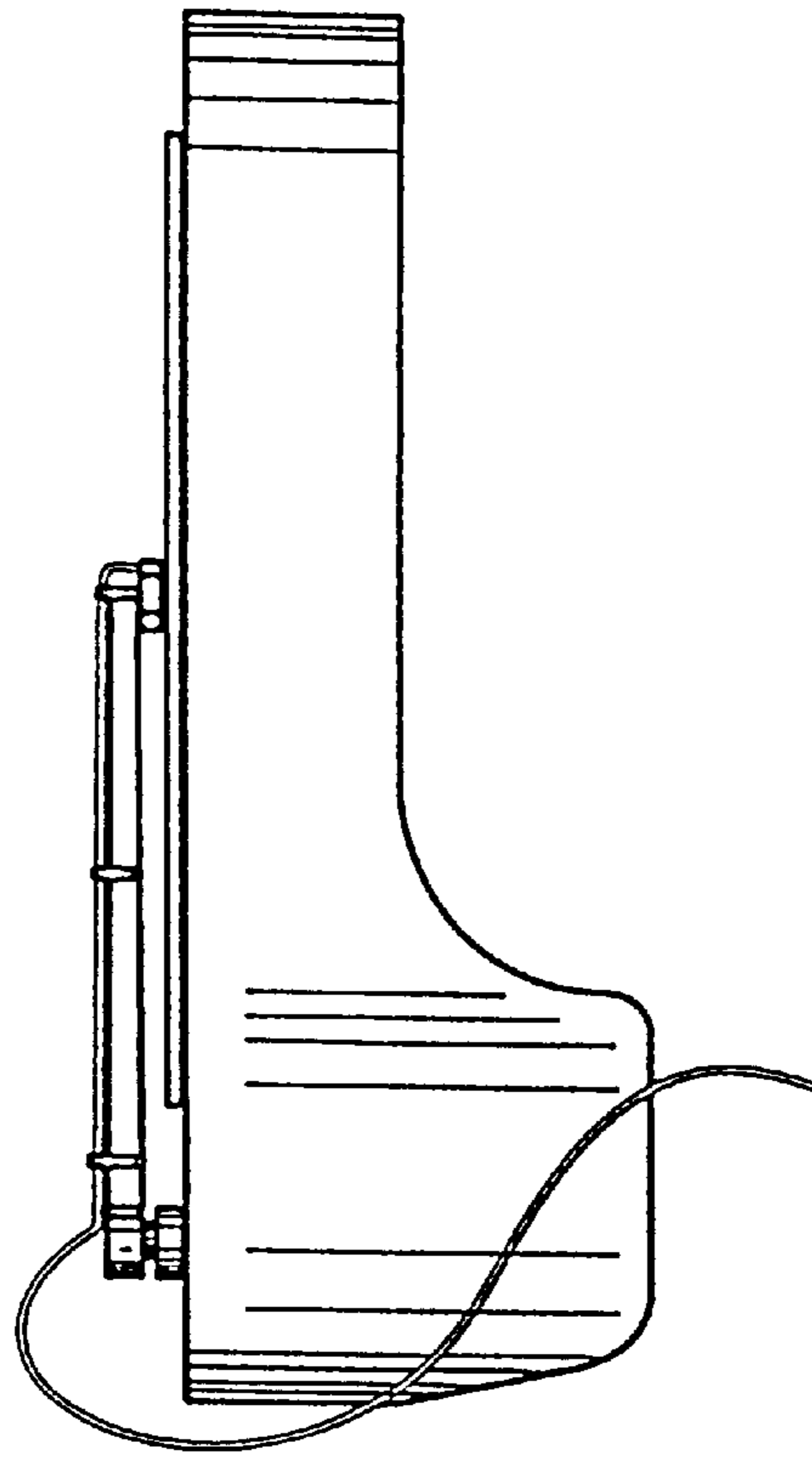


FIG 3

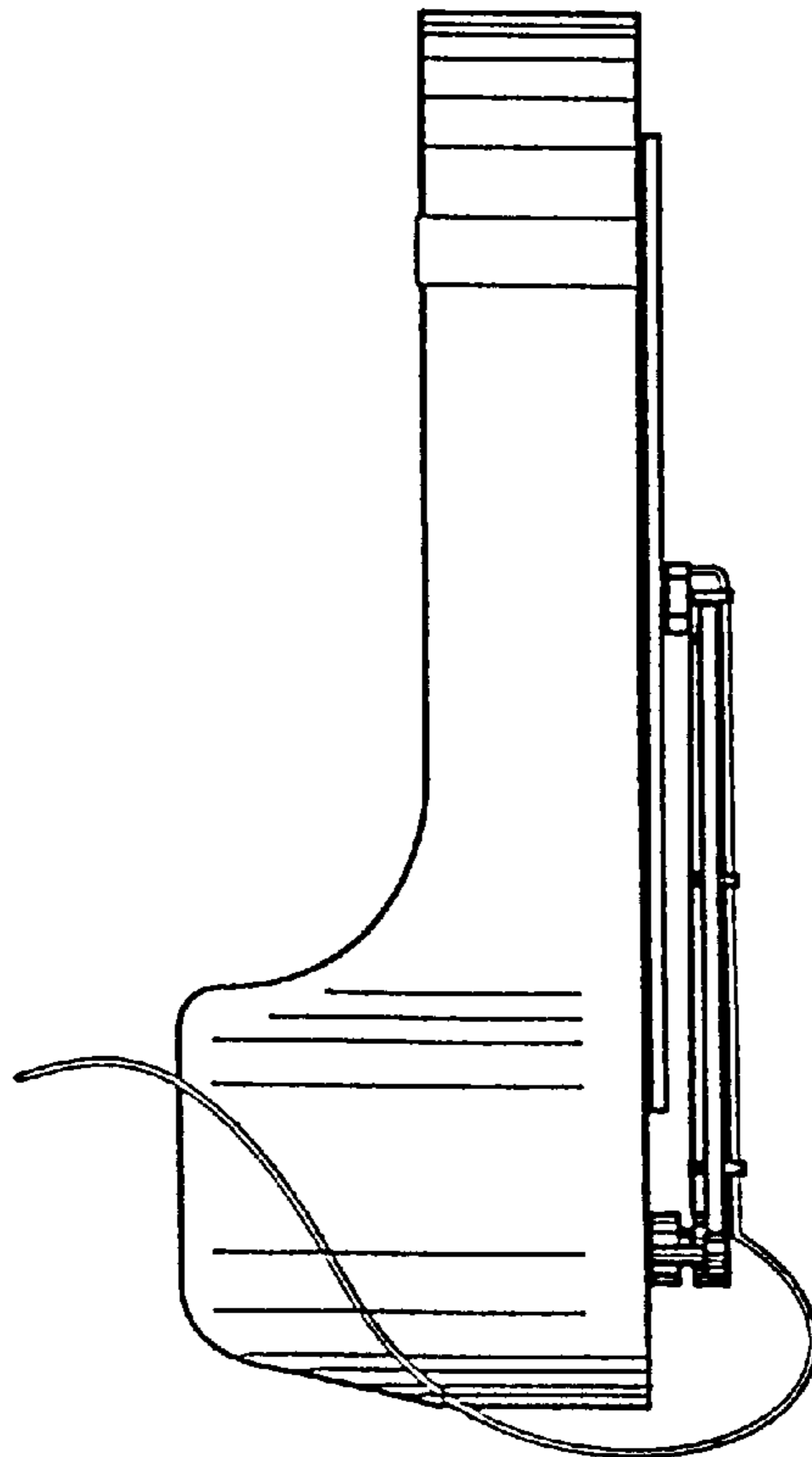


FIG 4

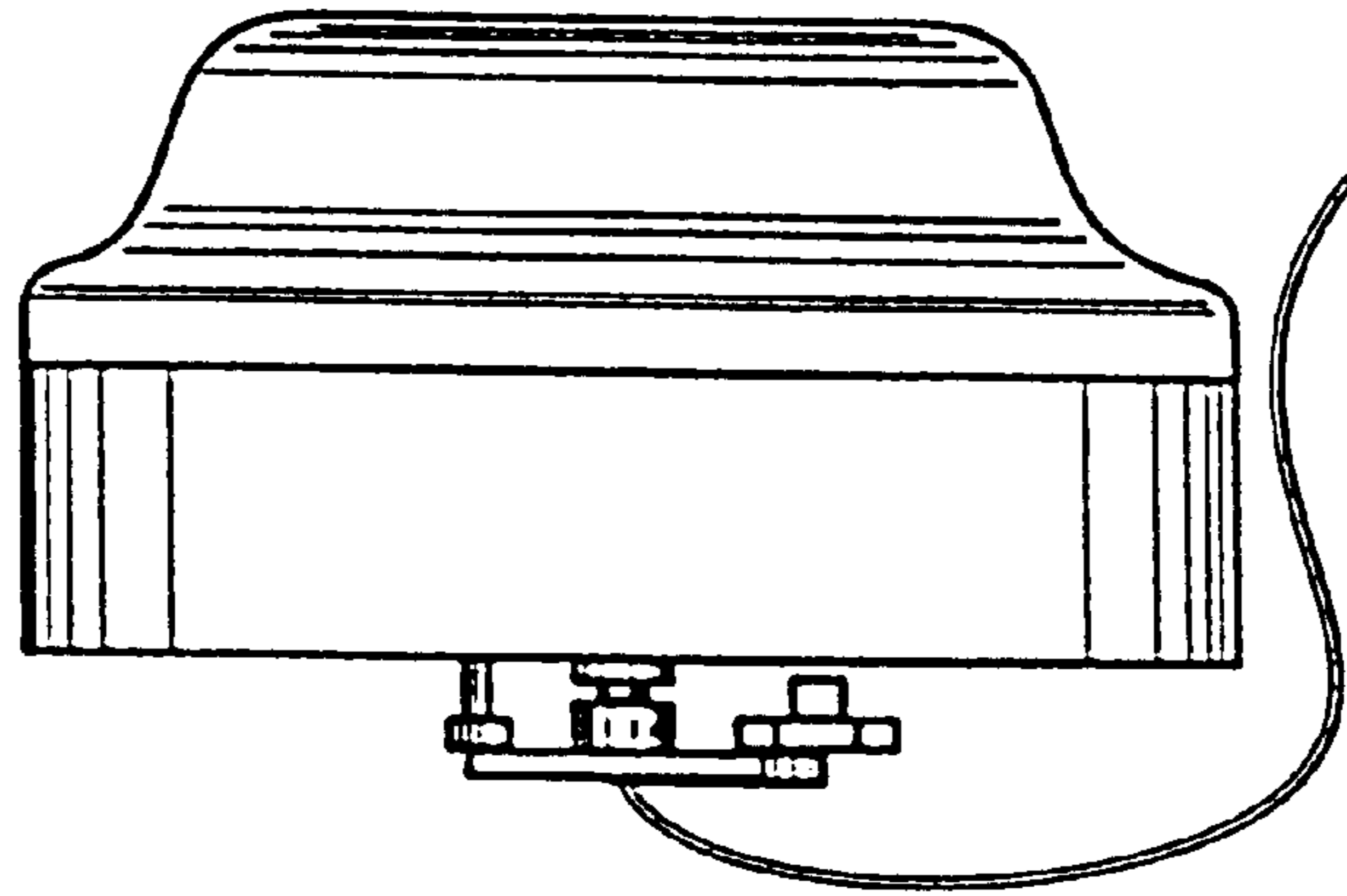


FIG 5

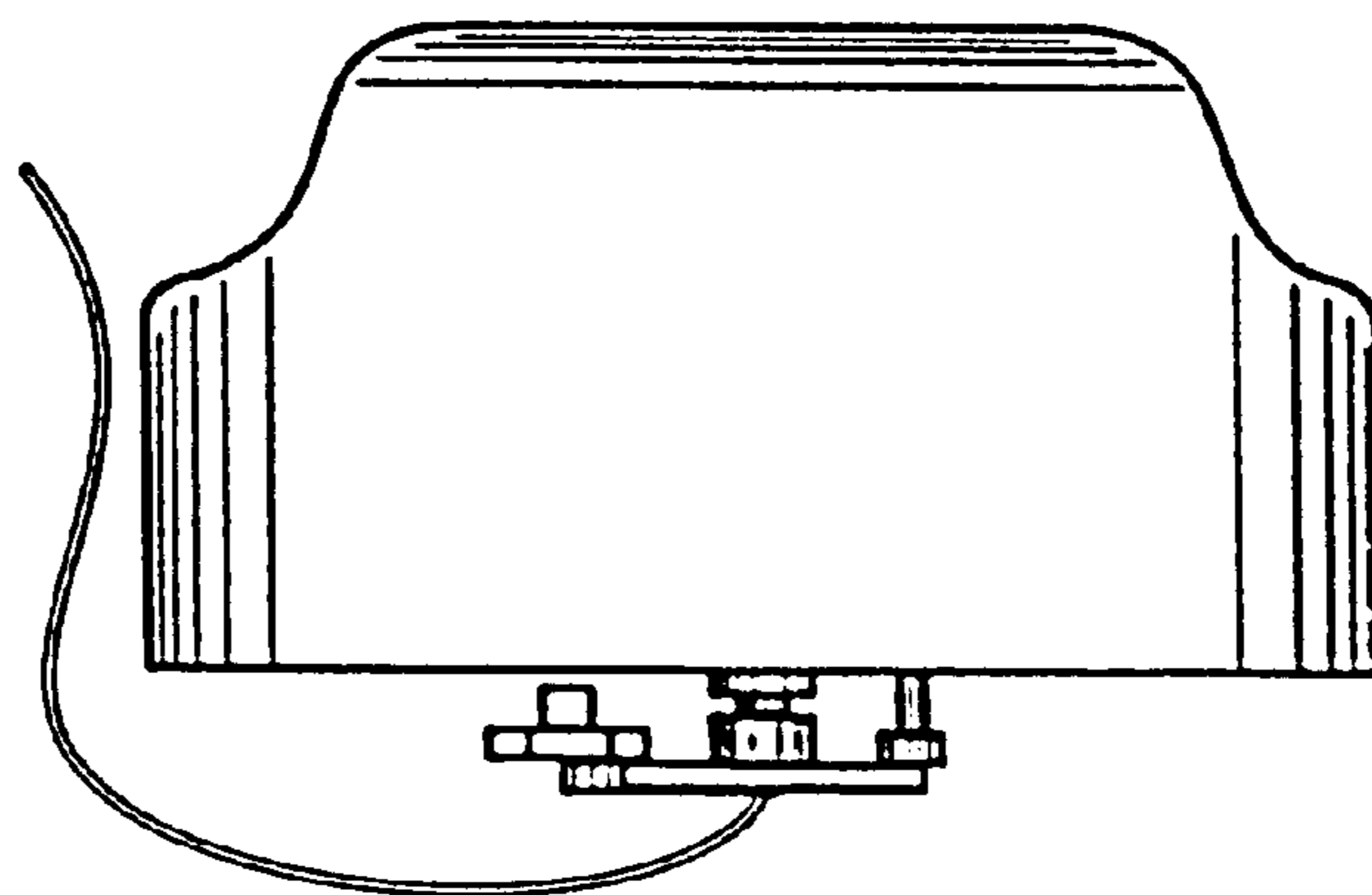


FIG 6

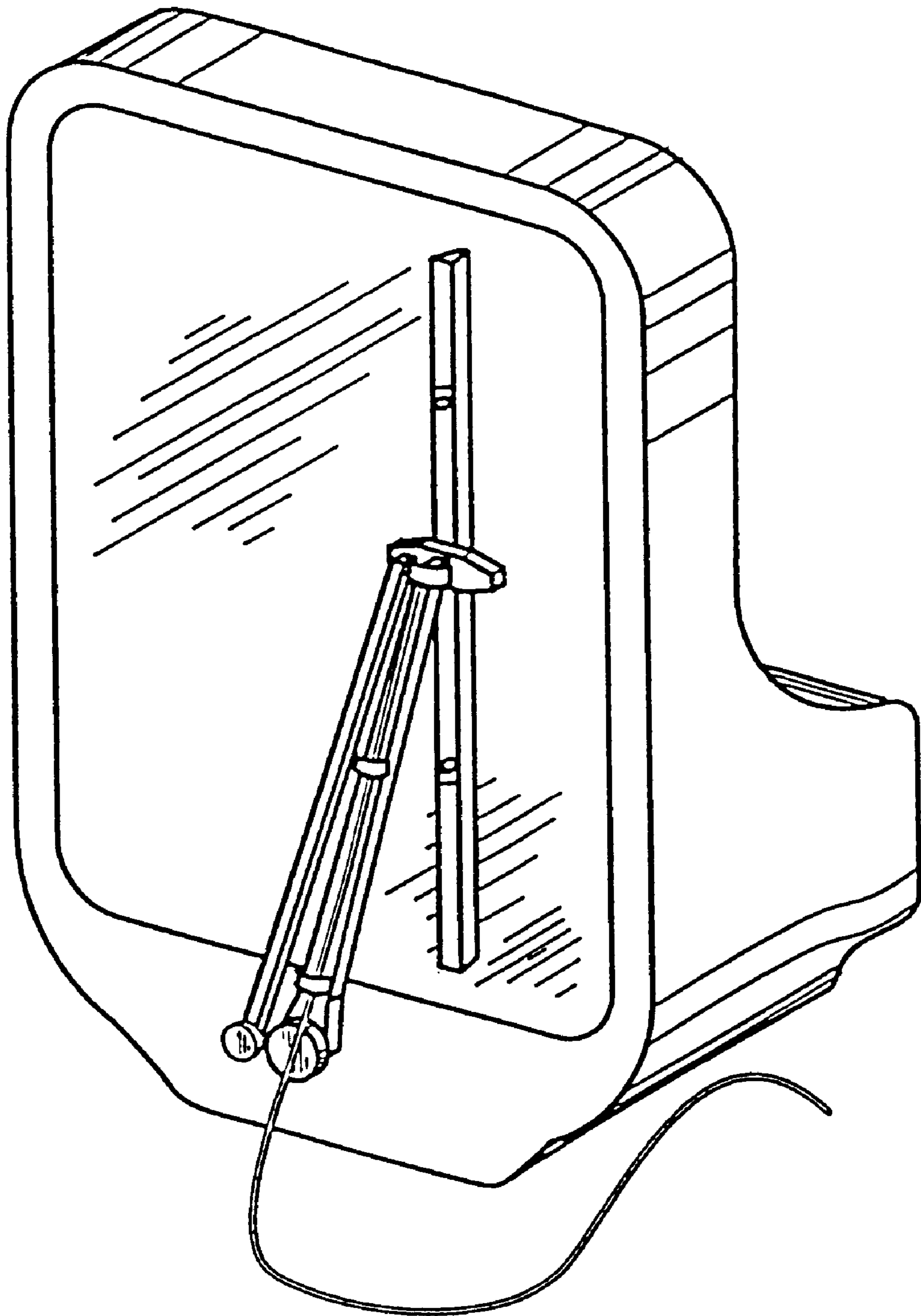


FIG 7